



US00D965459S

(12) **United States Design Patent**
Wahlgren et al.

(10) **Patent No.:** **US D965,459 S**

(45) **Date of Patent:** **** Oct. 4, 2022**

(54) **SIREN**
(71) Applicant: **Axis AB**, Lund (SE)
(72) Inventors: **Theodor Wahlgren**, Lund (SE); **Felix Carlsson**, Lund (SE); **Jonas Sjögren**, Lund (SE); **Sebastian Engwall**, Lund (SE); **Mariano Vozzi**, Lund (SE); **Mathias Walter**, Lund (SE); **Oskar Odén**, Lund (SE)

(73) Assignee: **AXIS AB**, Lund (SE)

(**) Term: **15 Years**

(21) Appl. No.: **29/825,713**

(22) Filed: **Feb. 4, 2022**

Related U.S. Application Data

(62) Division of application No. 29/740,783, filed on Jul. 7, 2020, now Pat. No. Des. 948,369.

(30) **Foreign Application Priority Data**

Jan. 14, 2020 (EM) 007509583

(51) **LOC (13) Cl.** **10-06**

(52) **U.S. Cl.**
USPC **D10/120**

(58) **Field of Classification Search**
USPC D10/104.1, 106.1, 106.5, 109.2, 116.1, D10/120, 121; D16/203; D23/260, 371, D23/376, 386, 390, 393

CPC . G10K 7/00; G08B 3/00; G08B 13/00; G08B 19/00; G08B 21/00

See application file for complete search history.

(56) **References Cited**

U.S. PATENT DOCUMENTS

3,135,950 A * 6/1964 Finkle G08B 17/06
340/630
D225,379 S ‡ 12/1972 Gallagher et al. D10/106.5

D247,665 S * 4/1978 Larsen G08B 17/06
D10/121
D249,481 S ‡ 9/1978 Conforti D10/106.5
D261,242 S ‡ 10/1981 Lorist D10/106.1
D276,647 S * 12/1984 Breidert D23/376
D284,272 S * 6/1986 Chen D10/121
D308,835 S * 6/1990 Fenne D10/106.1
D328,875 S * 8/1992 Perkins D10/121
D331,547 S * 12/1992 Ogawa D10/106.5
D377,321 S * 1/1997 Tomizawa D10/106.5
D391,185 S * 2/1998 Tomizawa D10/106.5

(Continued)

FOREIGN PATENT DOCUMENTS

CN 304122124 S ‡ 5/2017
CN 304122124 S 5/2017

(Continued)

Primary Examiner — George D. Kirschbaum

Assistant Examiner — Lillian Windham

(74) *Attorney, Agent, or Firm* — Tucker Ellis LLP

(57) **CLAIM**

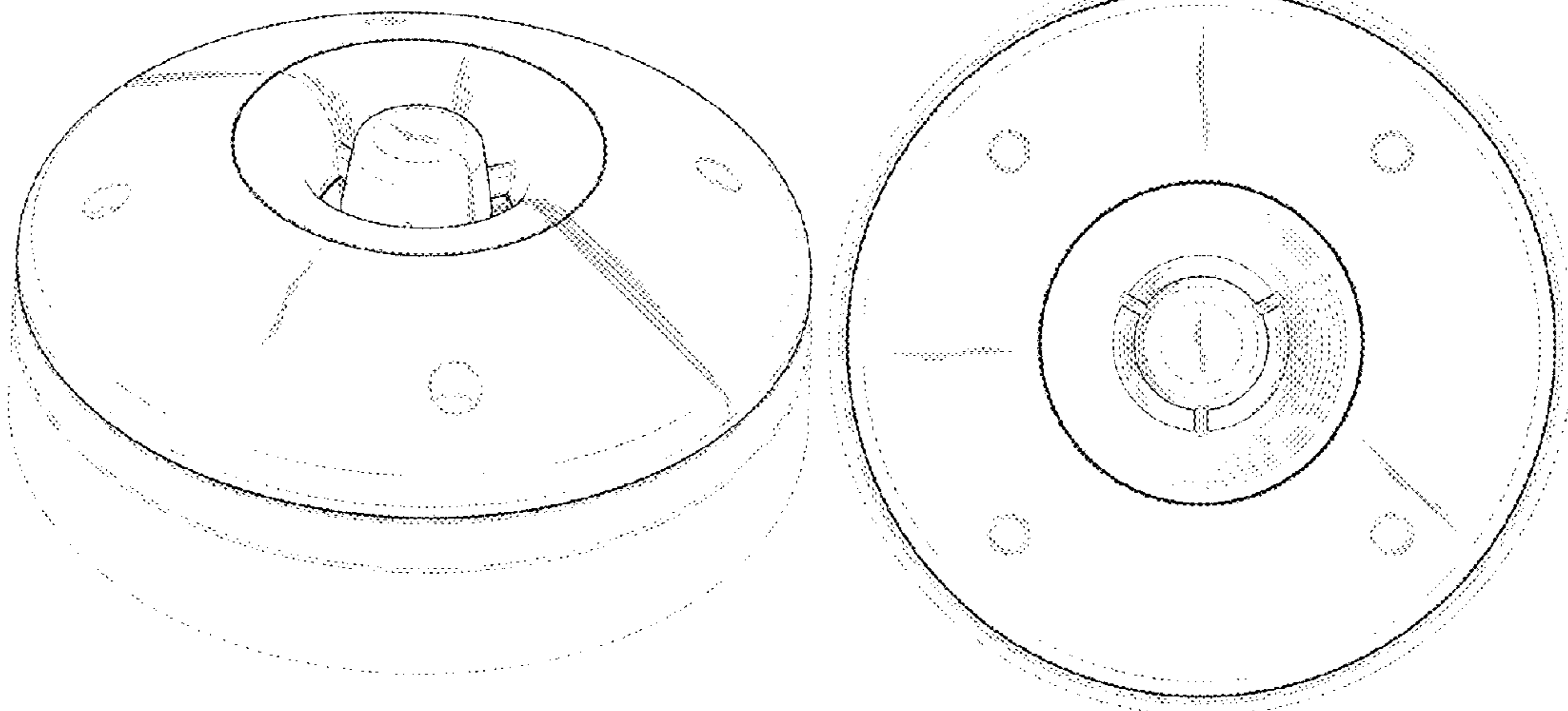
The ornamental design for a siren, as shown and described.

DESCRIPTION

FIG. 1 is a front, top, right side perspective view of a siren showing our new design;
FIG. 2 is a front view thereof;
FIG. 3 is a rear view thereof;
FIG. 4 is a top view thereof;
FIG. 5 is a bottom view thereof;
FIG. 6 is a right side view thereof; and,
FIG. 7 is a left side view thereof.

The broken lines in the drawings illustrate portions of the siren that form no part of the claimed design.

1 Claim, 4 Drawing Sheets



(56)

References Cited

U.S. PATENT DOCUMENTS

D421,727 S * 3/2000 Pierson G08B 17/06
 D10/116.1
 D424,465 S * 5/2000 Davidson D10/106.1
 D446,741 S * 8/2001 Johnson D10/106.5
 D450,008 S * 11/2001 Sakurai D10/106.5
 6,516,076 B1 * 2/2003 Marlin G10K 11/004
 181/177
 D475,312 S * 6/2003 Runciman D10/106.5
 D476,252 S ‡ 6/2003 Runciman D10/106.5
 D485,200 S * 1/2004 Berthold D10/106.5
 D499,125 S * 11/2004 Adachi G08B 17/06
 D16/203
 D577,301 S ‡ 9/2008 Johnson D10/106.1
 D591,629 S * 5/2009 Tsurumi D10/106.5
 D622,170 S * 8/2010 Cargile D10/106.5
 D641,645 S ‡ 7/2011 Suzuki D10/106.5
 D651,926 S * 1/2012 Akiyama G10K 11/004
 D10/106.5
 D692,332 S * 10/2013 Ni D10/106.1
 D694,306 S ‡ 11/2013 Katori D16/203
 D695,143 S * 12/2013 Solow D10/121
 D715,170 S * 10/2014 Brigham D10/106.5
 D729,859 S ‡ 5/2015 Shin D16/203
 D743,465 S * 11/2015 Aglassinger H04R 1/345
 D16/203
 D749,660 S ‡ 2/2016 Yu D16/203
 D751,621 S ‡ 3/2016 Katori D16/203
 D752,674 S ‡ 3/2016 Katori D16/203
 D796,566 S ‡ 9/2017 Bingleman D16/203

D796,567 S ‡ 9/2017 Bingleman D16/203
 D796,568 S * 9/2017 Bingleman D16/203
 D811,917 S * 3/2018 Kalyan D10/106.5
 D811,918 S * 3/2018 Kalyan D10/106.5
 D811,919 S * 3/2018 Kalyan D10/106.5
 D812,506 S * 3/2018 Kalyan D10/106.5
 D813,072 S * 3/2018 Kalyan D10/106.5
 D814,955 S * 4/2018 Bolger D10/106.5
 D822,088 S * 7/2018 Park D16/203
 D838,816 S * 1/2019 Gerger D23/260
 10,223,885 B2 ‡ 3/2019 Larsson H04N 5/332
 D849,580 S * 5/2019 Arikawa D10/106.5
 D860,288 S * 9/2019 Ohashi D16/203
 D866,636 S ‡ 11/2019 Walter D16/203
 D871,245 S * 12/2019 Arikawa D10/106.5
 D879,635 S ‡ 3/2020 Hjmosse D10/104.1
 2005/0276432 A1 * 12/2005 Hsieh H04R 1/345
 381/337

FOREIGN PATENT DOCUMENTS

CN 304810735 S ‡ 9/2018
 CN 304810735 S 9/2018
 EM 001343578 ‡ 9/2012
 EM 004529626 ‡ 12/2017
 EM 006620860 ‡ 7/2019
 KR 3006302280000 S ‡ 2/2012
 KR 3006302280000 S 2/2012
 TW D128489 S ‡ 5/2009
 TW D128489 S 5/2009

* cited by examiner

‡ imported from a related application

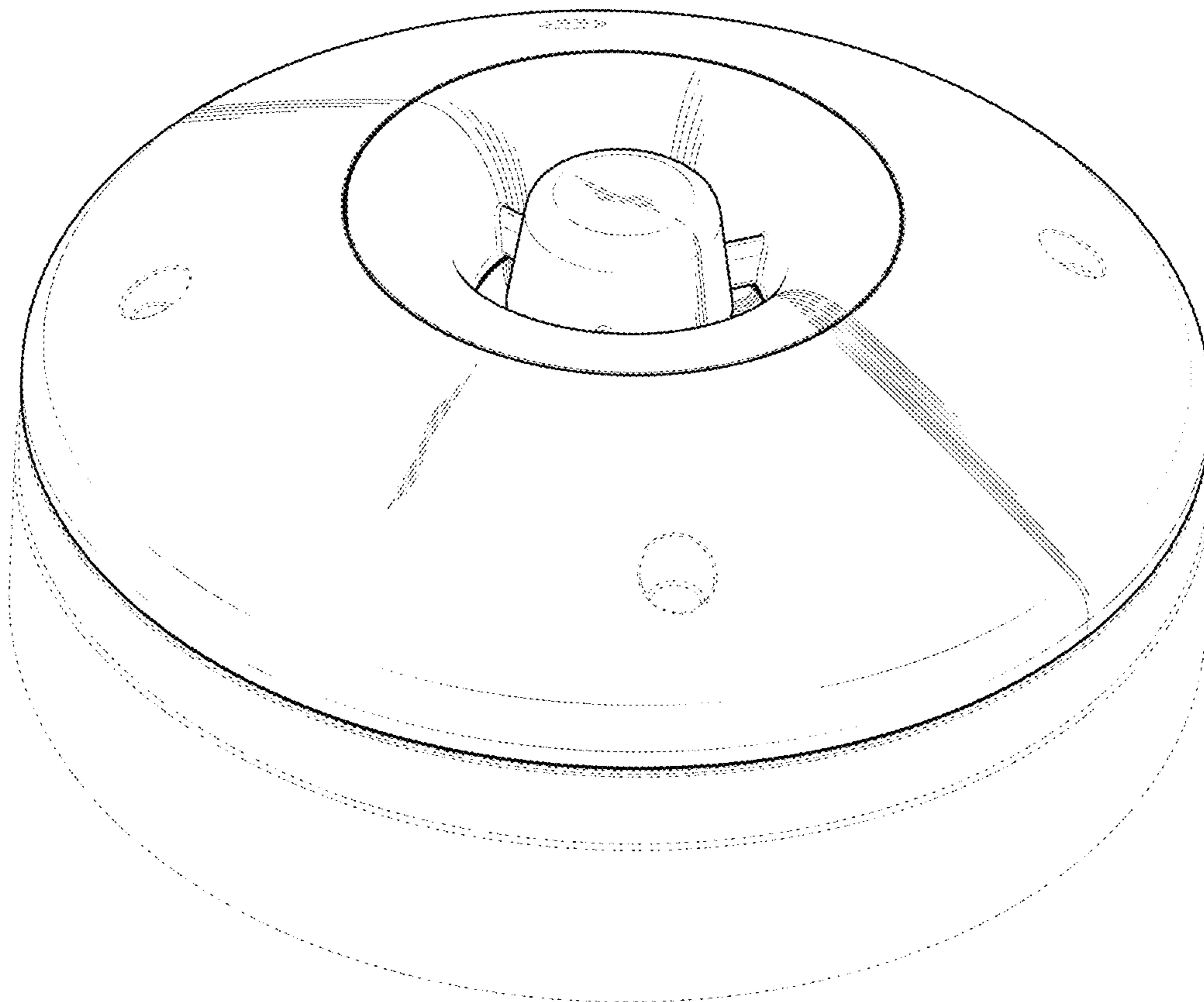


FIG. 1

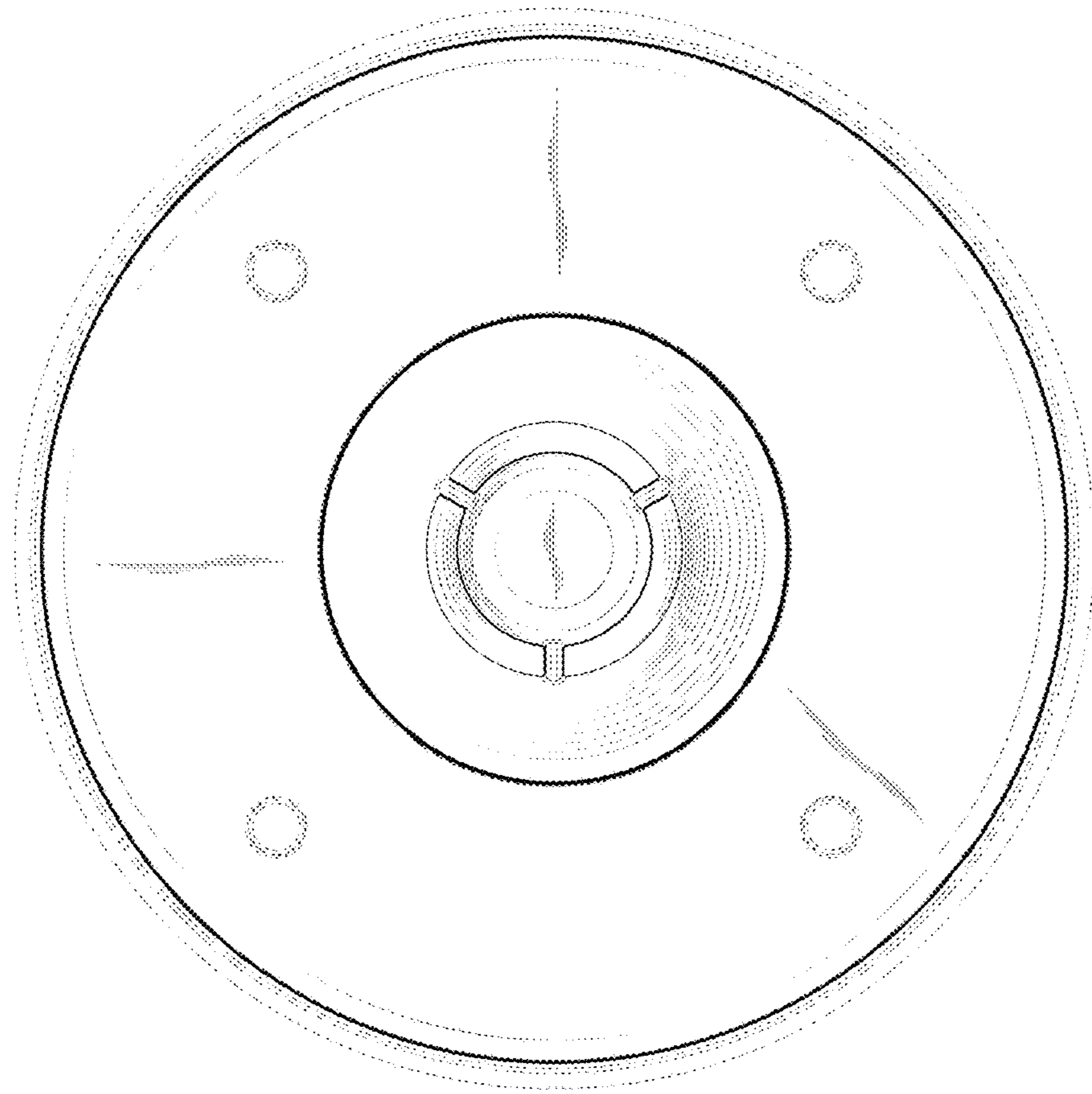


FIG. 2

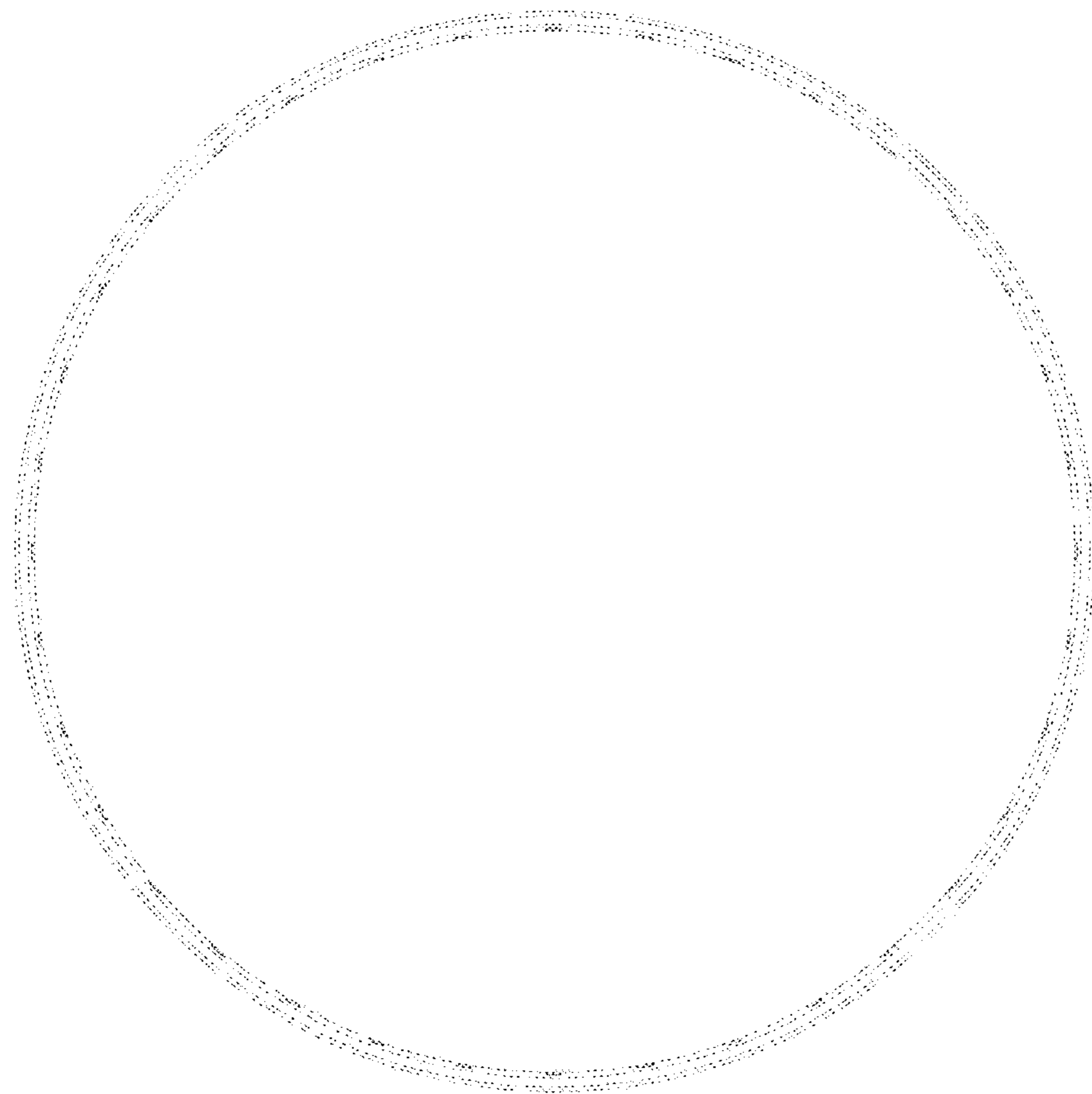


FIG. 3

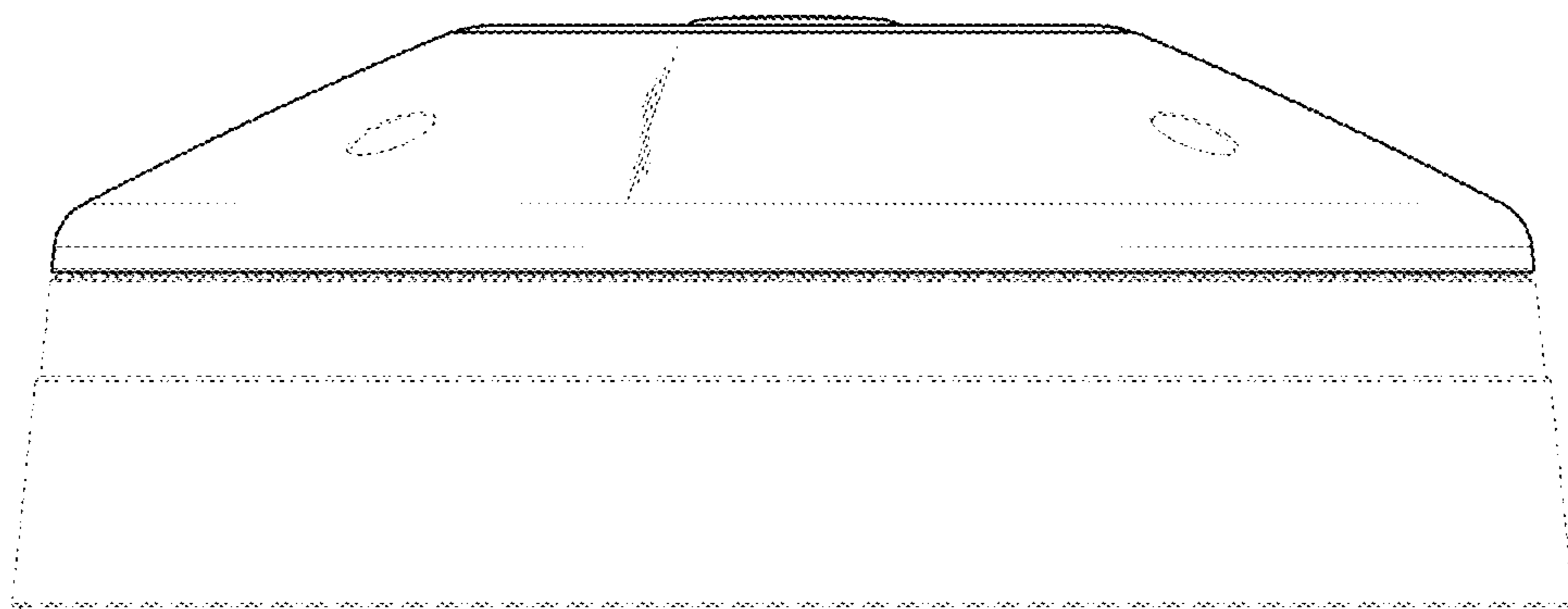


FIG. 4

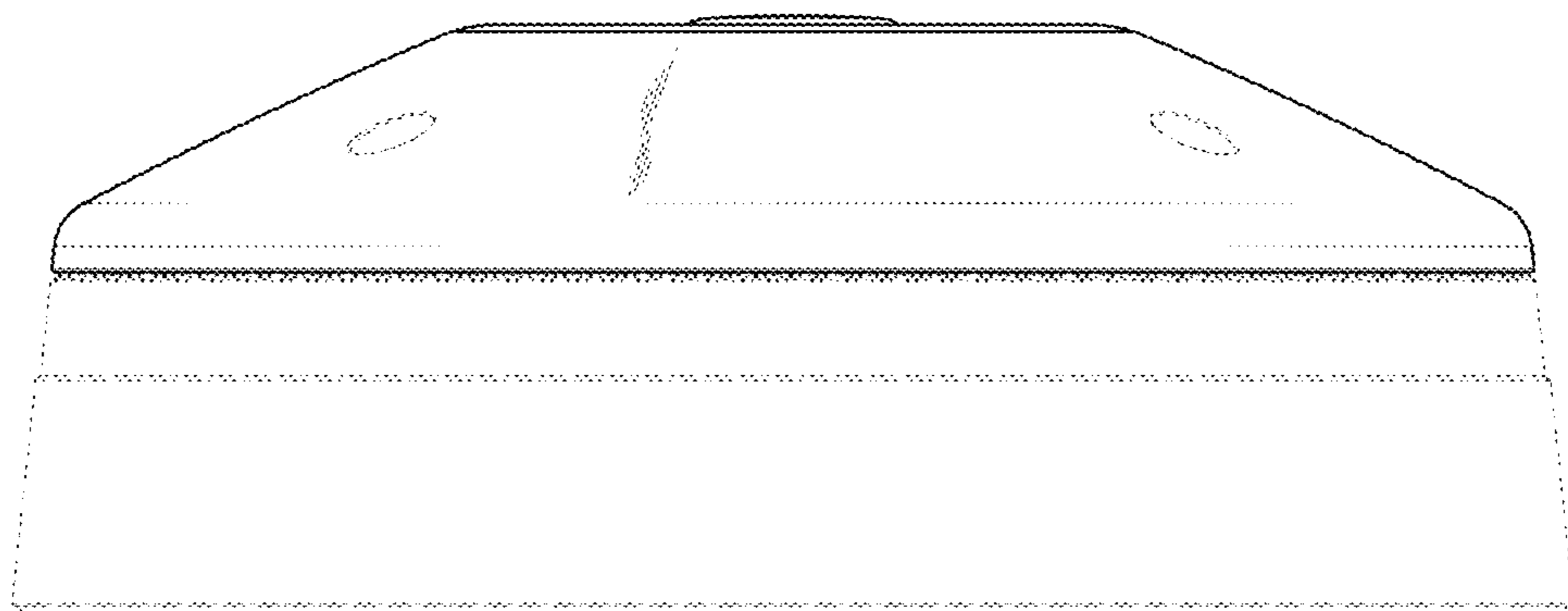


FIG. 5

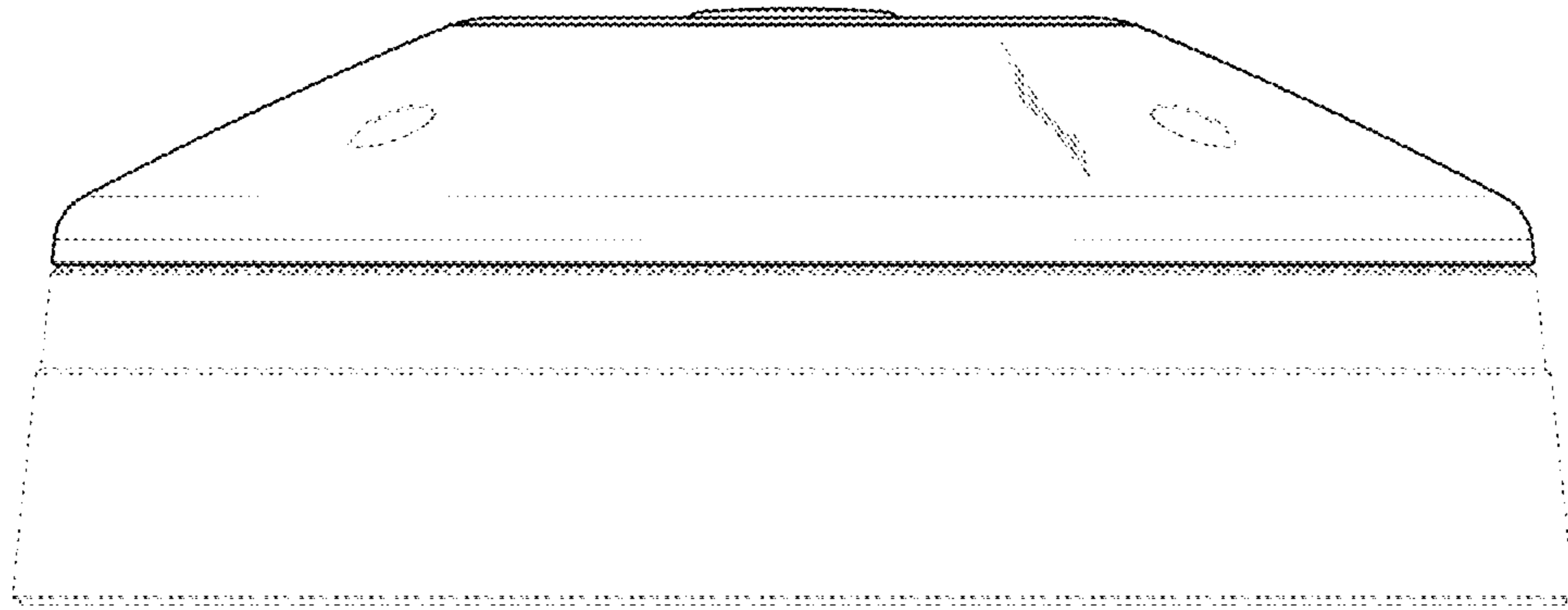


FIG. 6

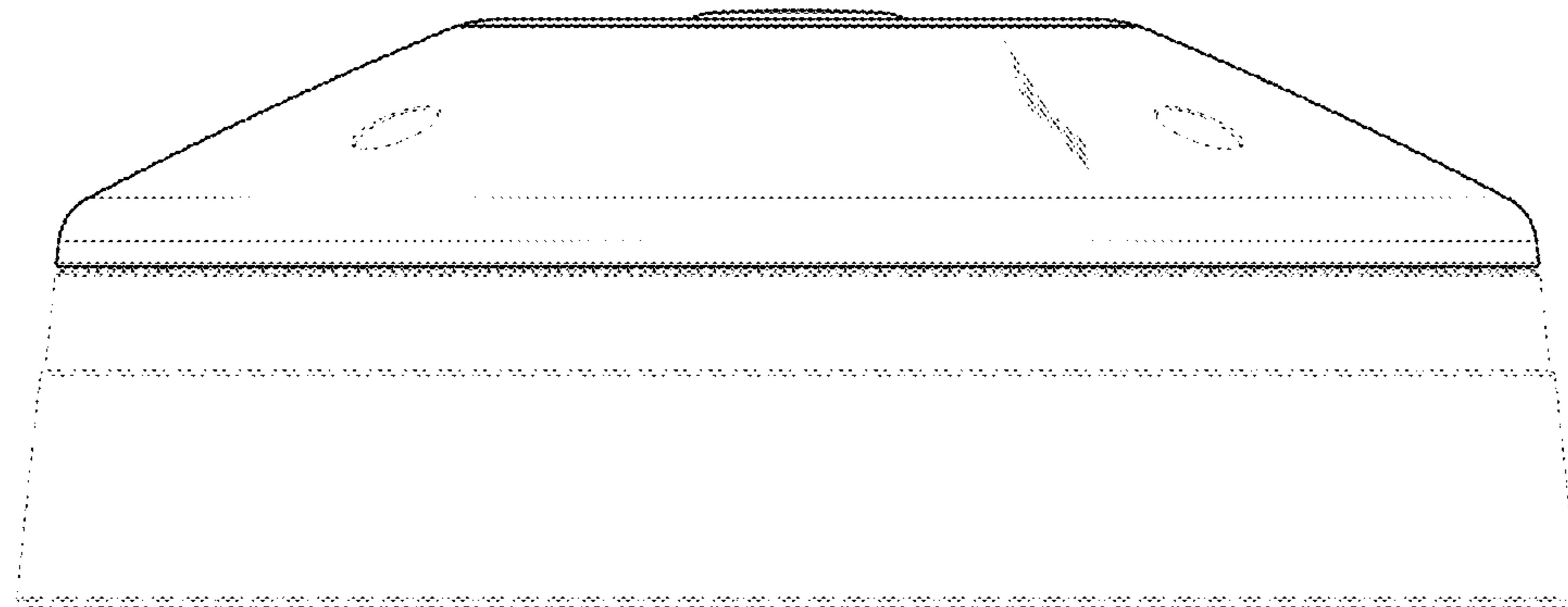


FIG. 7