



US00D965456S

(12) **United States Design Patent**  
**Antin et al.**

(10) **Patent No.:** **US D965,456 S**  
(45) **Date of Patent:** **\*\* Oct. 4, 2022**

(54) **ELECTRICITY METER**

(71) Applicant: **ABB Schweiz AG**, Baden (CH)

(72) Inventors: **Jan-Peter Antin**, Västerås (SE); **Lars X. Eriksson**, Västerås (SE); **Carl Thorstensson**, Västerås (SE)

(73) Assignee: **ABB Schweiz AG**, Baden (CH)

(\*\*) Term: **15 Years**

(21) Appl. No.: **29/737,545**

(22) Filed: **Jun. 10, 2020**

(30) **Foreign Application Priority Data**

Dec. 16, 2019 (EP) ..... 007407341

(51) **LOC (13) Cl.** ..... **10-04**

(52) **U.S. Cl.**  
USPC ..... **D10/100**

(58) **Field of Classification Search**  
USPC ..... D10/46, 75, 76, 96, 97, 99, 100, 103;  
D14/358

CPC .... G01R 21/133; G01R 22/065; G01R 11/04;  
G01R 35/04; G01R 22/00; G01R 22/10;  
G01R 22/061; G01R 21/06

See application file for complete search history.

(56) **References Cited**

**U.S. PATENT DOCUMENTS**

D204,606 S *	5/1966	Paslowsky	.....	D10/103
D278,133 S *	3/1985	Johnson	.....	D10/100
D335,092 S *	4/1993	Miller	.....	D10/100
D366,434 S *	1/1996	Brown, III	.....	D10/99
D369,563 S *	5/1996	Meehan	.....	D10/76
D377,319 S *	1/1997	Amano	.....	D10/76
D397,629 S *	9/1998	Wewers	.....	D10/96
D415,440 S *	10/1999	Beadsworth	.....	D10/99
D420,607 S *	2/2000	Wrisley	.....	D10/103

D423,383 S *	4/2000	Fernandez	.....	D10/76
D427,533 S *	7/2000	Cowan	.....	D10/75
D482,291 S *	11/2003	Sim	.....	D10/100
D511,112 S *	11/2005	Takada	.....	D10/75
D573,047 S *	7/2008	Chen	.....	D10/75
D573,049 S *	7/2008	Chen	.....	D10/75
D573,495 S *	7/2008	Chen	.....	D10/75
D633,402 S *	3/2011	Appoyer	.....	D10/100
D633,403 S *	3/2011	Appoyer	.....	D10/100
D772,088 S *	11/2016	Kono	.....	D10/100
D774,931 S *	12/2016	Kono	.....	D10/100
D793,260 S *	8/2017	Takeya	.....	D10/100
D793,261 S *	8/2017	Takeya	.....	D10/103
D794,484 S *	8/2017	Takeya	.....	D10/103
D810,600 S *	2/2018	Cho	.....	D10/100
D813,699 S *	3/2018	Park	.....	D10/100
D850,307 S *	6/2019	Souillard	.....	D10/76
D882,436 S *	4/2020	Frazee	.....	D10/99
D902,191 S *	11/2020	Zou	.....	D14/358
D902,204 S *	11/2020	Li	.....	D14/358
D913,829 S *	3/2021	Zhou	.....	D10/100
D913,830 S *	3/2021	Zhou	.....	D10/100

(Continued)

*Primary Examiner* — George D. Kirschbaum

*Assistant Examiner* — Lillian Windham

(74) *Attorney, Agent, or Firm* — Whitmyer IP Group LLC

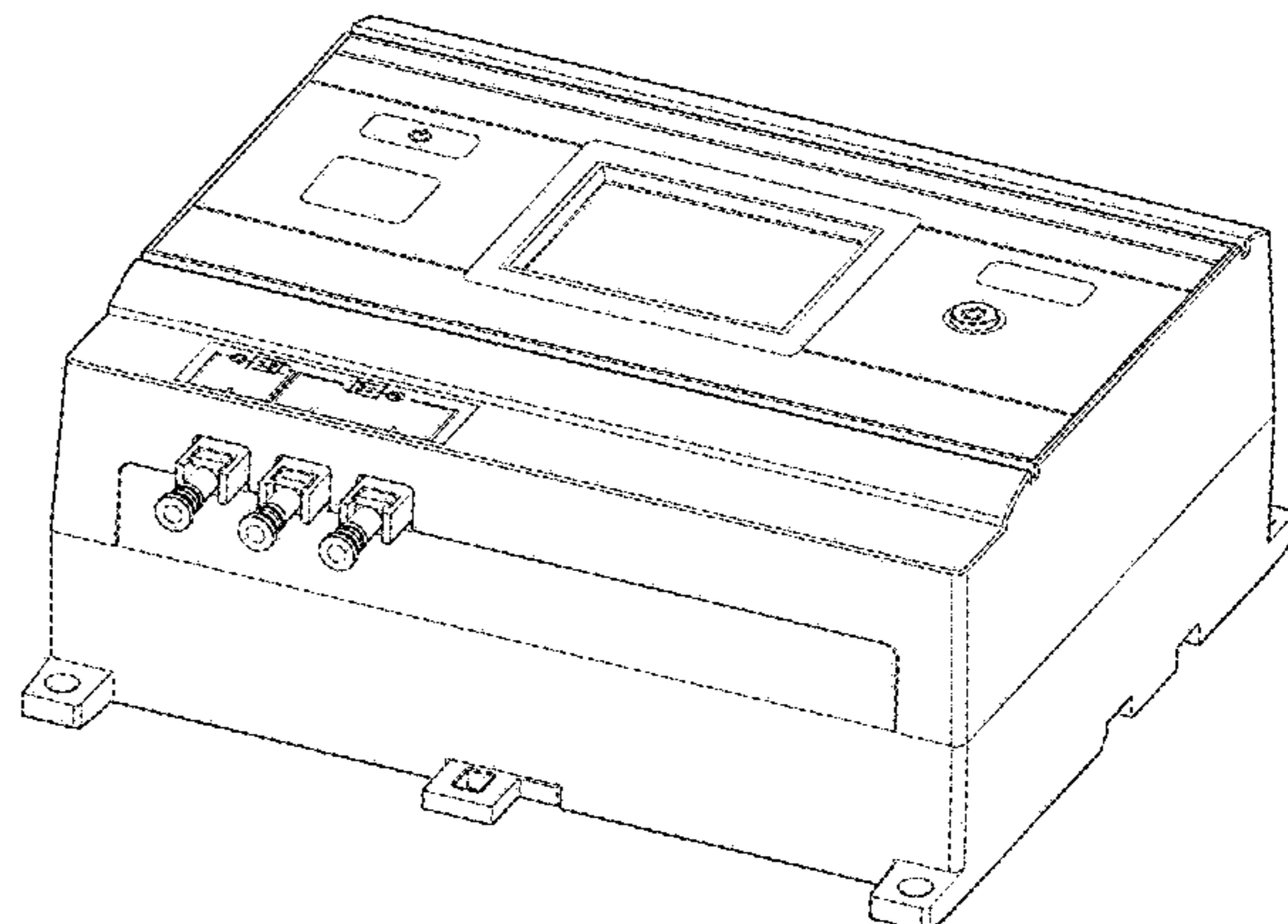
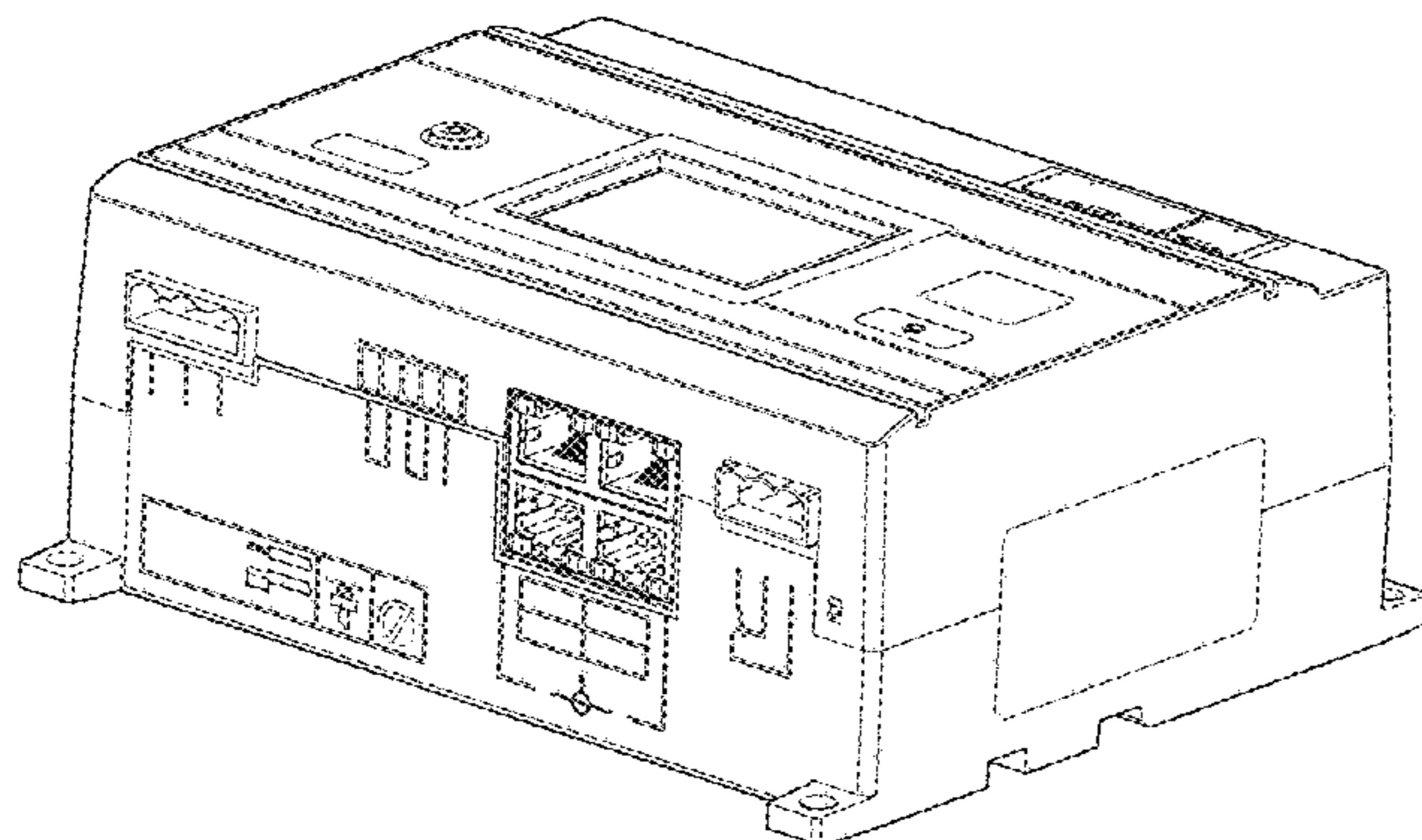
(57) **CLAIM**

The ornamental design for an electricity meter, as shown and described.

**DESCRIPTION**

FIG. 1 is a top, front isometric view of the electricity meter in accordance with the new design;  
FIG. 2 is a bottom, front isometric view thereof;  
FIG. 3 is a front elevational view thereof;  
FIG. 4 is a rear elevational view thereof;  
FIG. 5 is a left side elevational view thereof;  
FIG. 6 is a right side elevational view thereof; and,  
FIG. 7 is a top plan view thereof.

**1 Claim, 7 Drawing Sheets**



(56)

**References Cited**

U.S. PATENT DOCUMENTS

D939,988 S \* 1/2022 Kagan ..... D10/100  
D941,690 S \* 1/2022 Frazee ..... D10/99  
D942,879 S \* 2/2022 Frazee ..... D10/99

\* cited by examiner

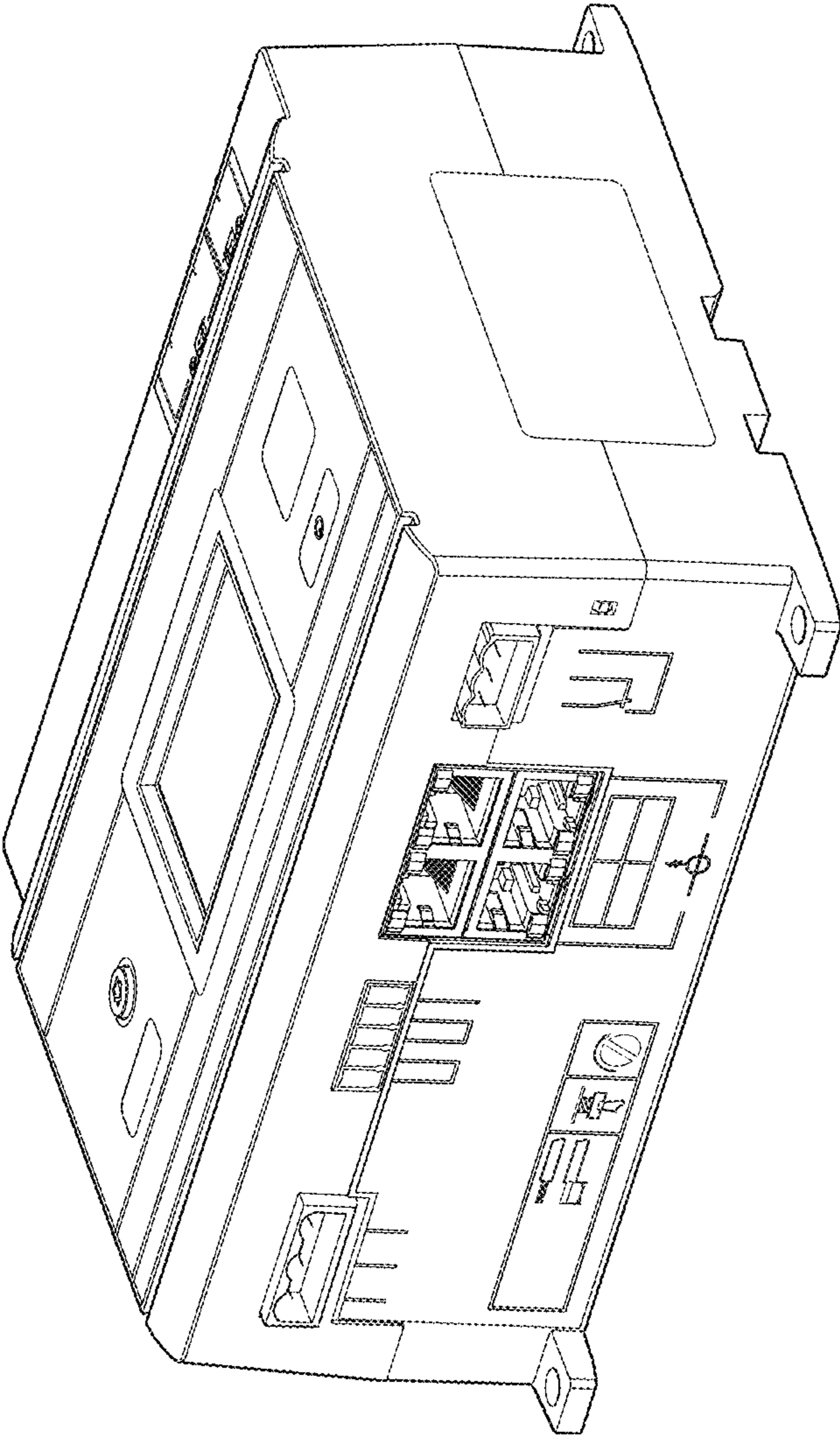


FIG. 1

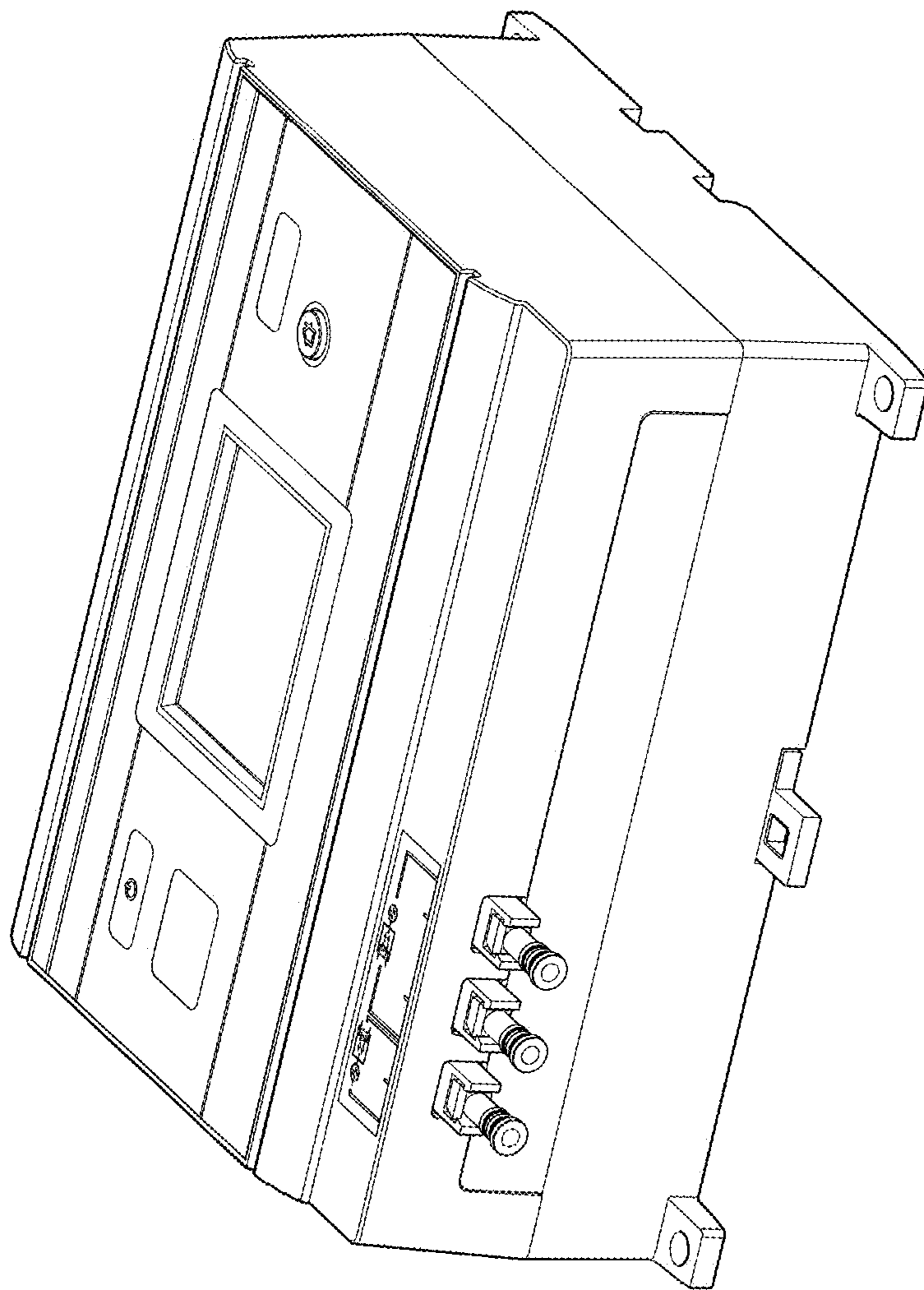


FIG. 2

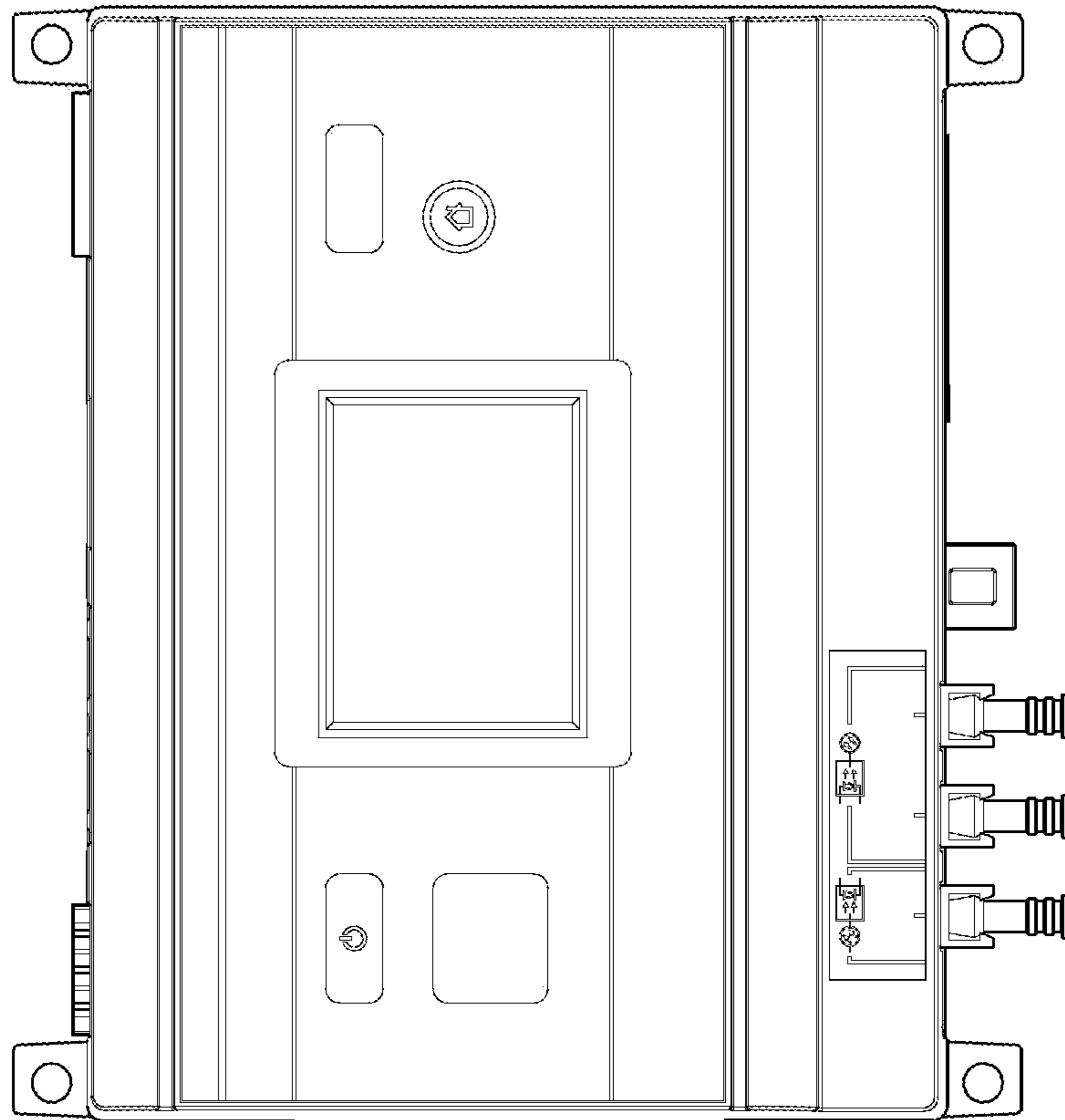


FIG. 3

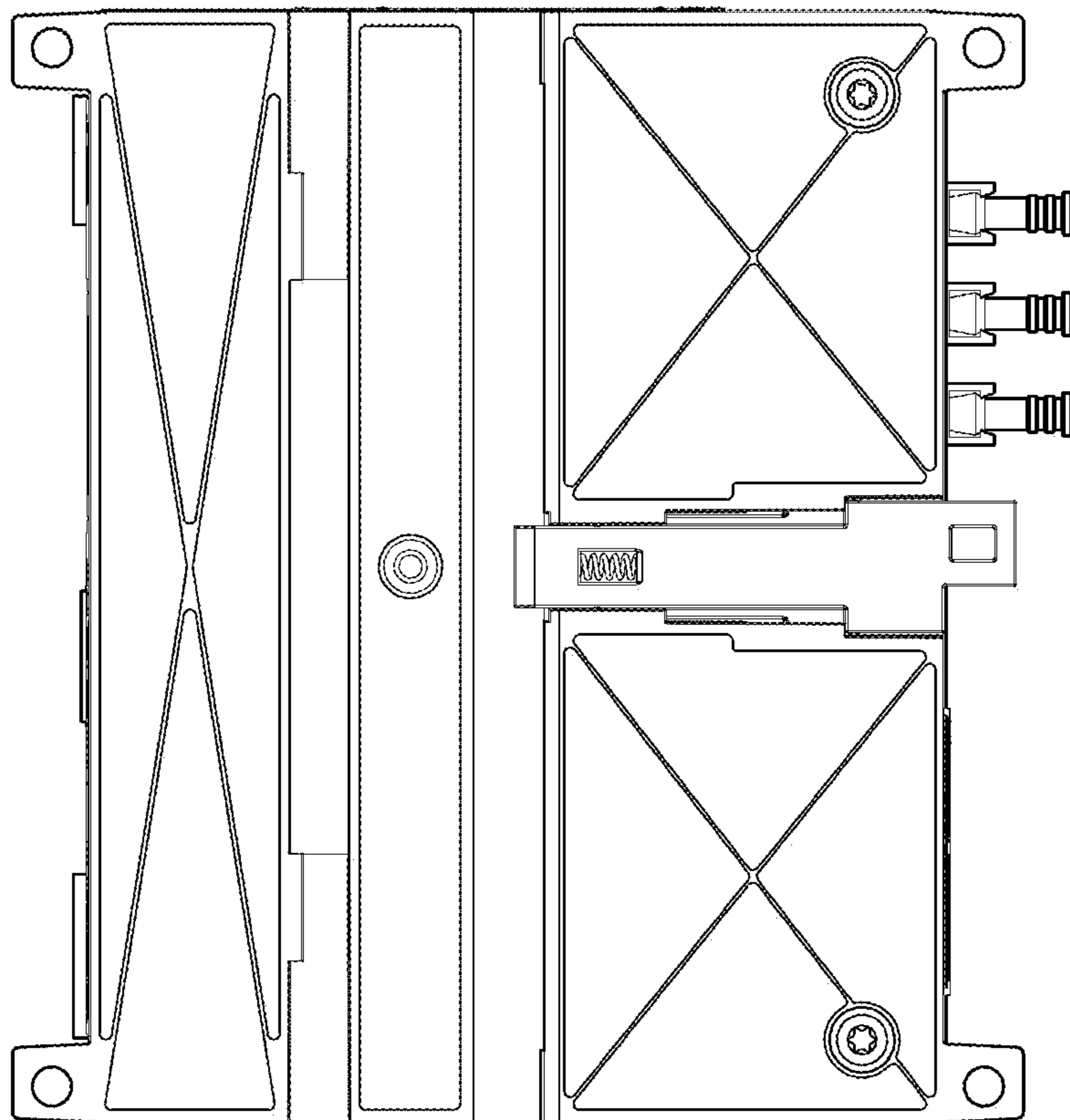


FIG. 4

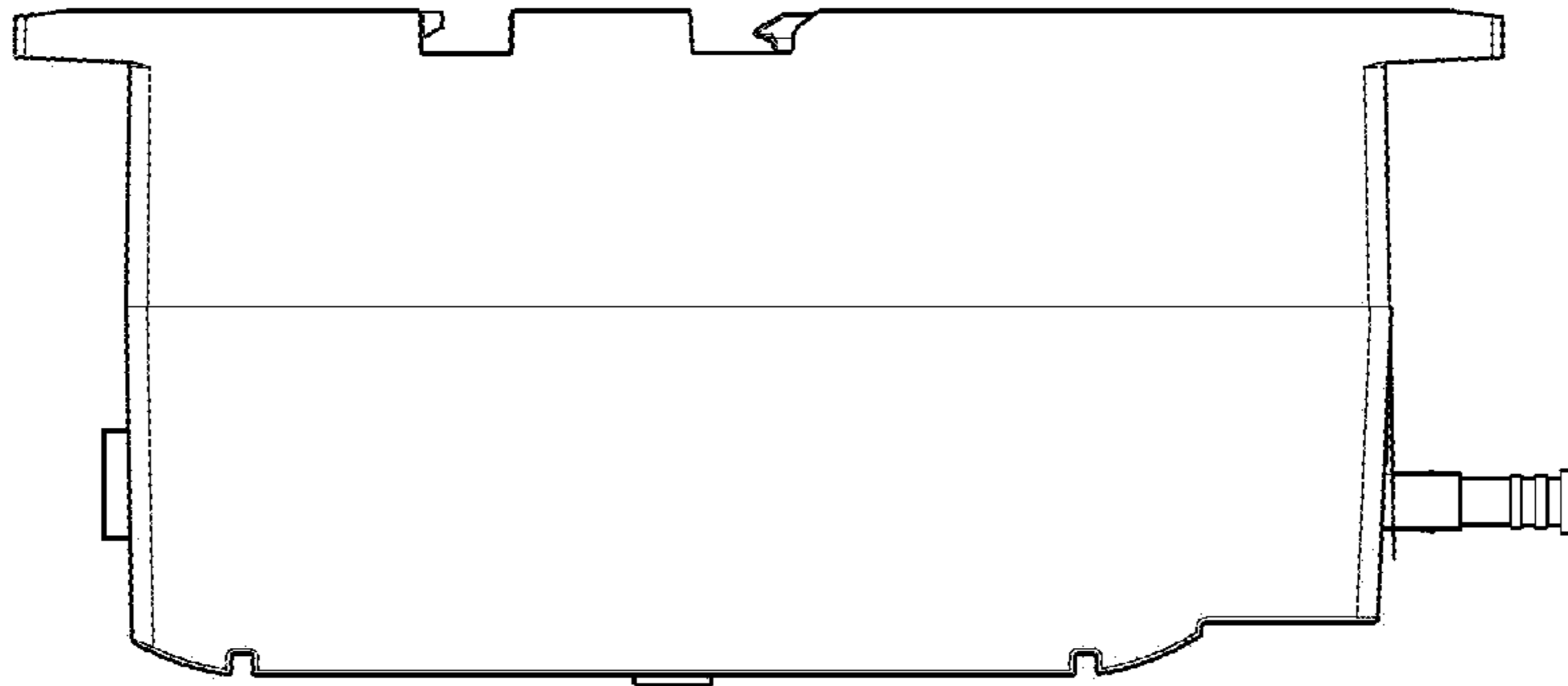


FIG. 5

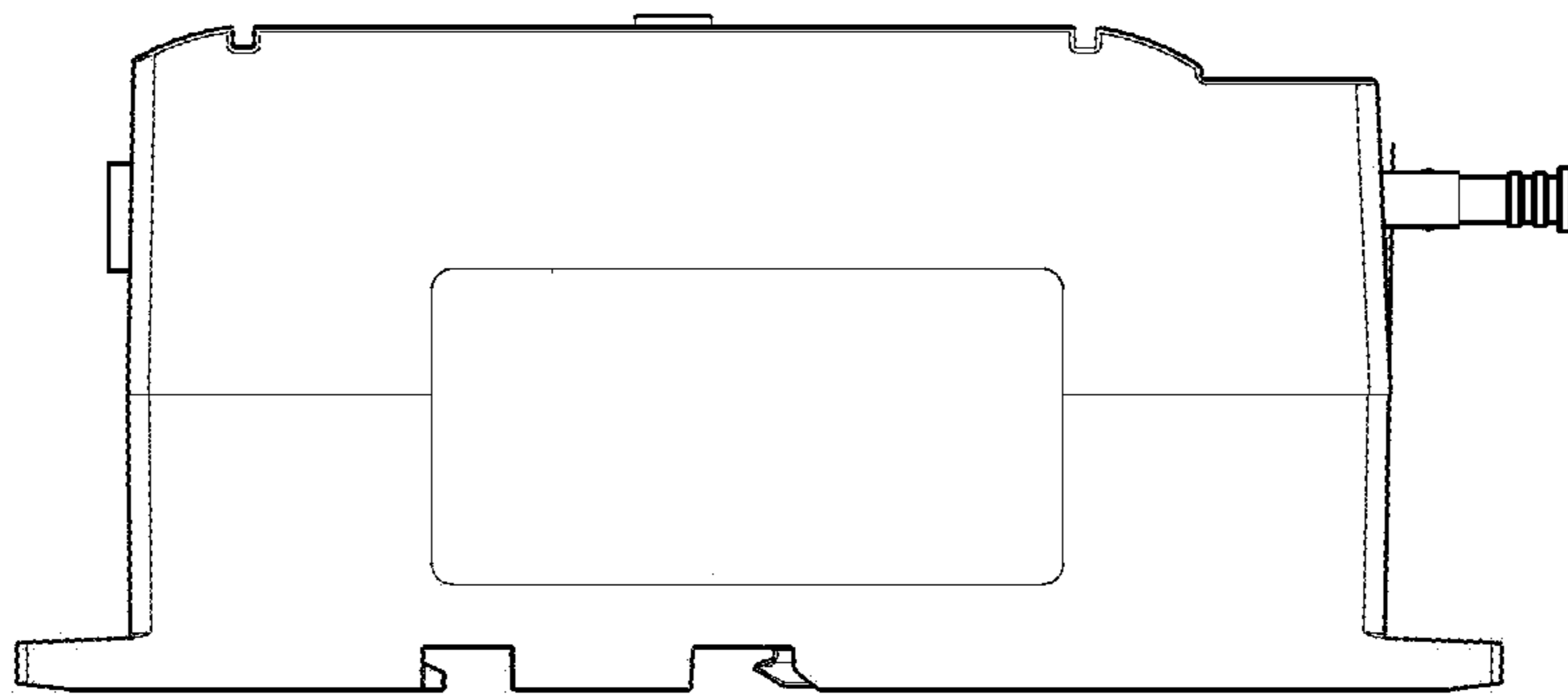


FIG. 6



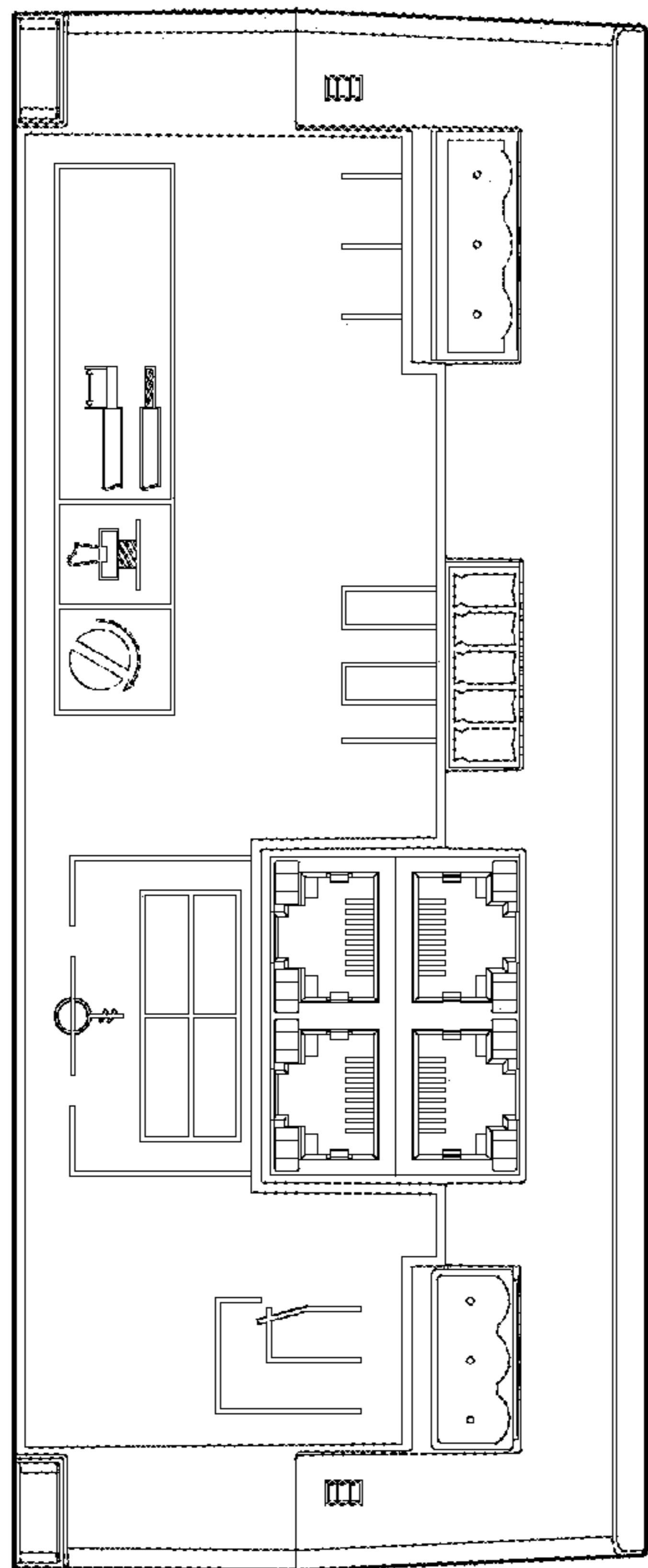


FIG. 7