



US00D965453S

(12) **United States Design Patent** (10) **Patent No.:** **US D965,453 S**
Huang (45) **Date of Patent:** **** Oct. 4, 2022**

(54) **TRACKER PROTECTIVE CASE**
(71) Applicant: **Zhihao Huang**, Guangxi Zhuang Autonomous Region (CN)

D903,686 S * 12/2020 Jung D14/440
D918,073 S * 5/2021 Umair D10/70
D922,993 S 6/2021 Chung et al.
D942,979 S * 2/2022 Jung D14/440
(Continued)

(72) Inventor: **Zhihao Huang**, Guangxi Zhuang Autonomous Region (CN)

FOREIGN PATENT DOCUMENTS

(**) Term: **15 Years**

CN 307380912 * 6/2022

(21) Appl. No.: **29/792,197**

OTHER PUBLICATIONS

(22) Filed: **Mar. 11, 2022**

2PCS Card Case for AirTag Card Flex Credit Card Size Wallet Case Holder, PSRAT, Amazon, earliest review date with photos Jan. 18, 2022, (online) URL: https://www.amazon.com/AirTag-Credit-Handbag-Backpack-Wristlet/dp/B09CM7LMXK/ref=sr_1_1? (Year: 2022).*

(51) **LOC (13) Cl.** **10-04**

(52) **U.S. Cl.**
USPC **D10/74**

(58) **Field of Classification Search**
USPC D10/121, 38, 32, 31, 70; D14/203.5, D14/203.1, 203.6, 344, 471, 440; D3/218, 215, 207, 208
CPC A45C 11/321
See application file for complete search history.

(Continued)

Primary Examiner — George D. Kirschbaum
Assistant Examiner — Antoinette Martine Suiter

(56) **References Cited**

(57) **CLAIM**

The ornamental design for a tracker protective case, as shown and described.

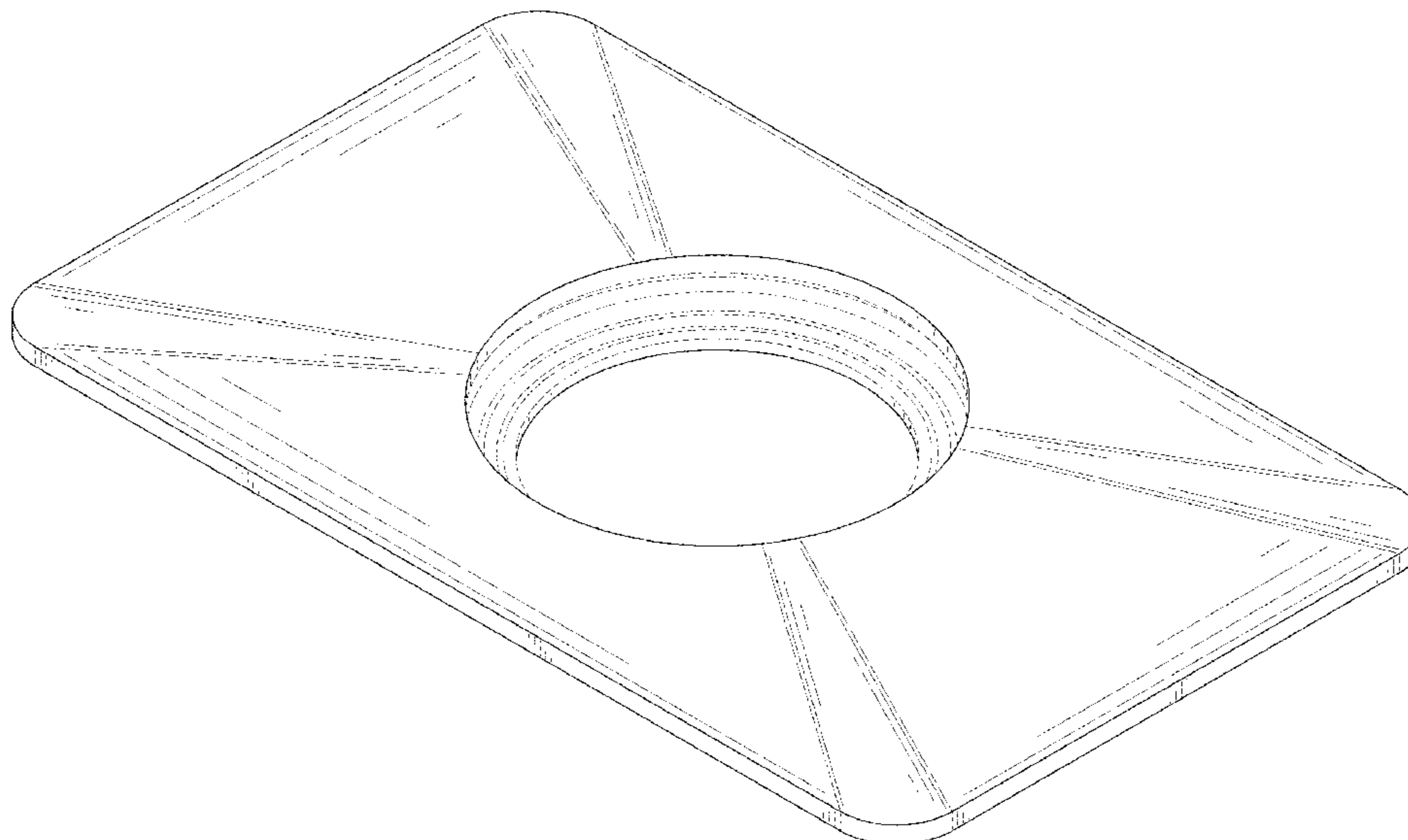
U.S. PATENT DOCUMENTS

DESCRIPTION

- D272,016 S * 1/1984 Blair D3/249
- D304,782 S * 11/1989 Sawatsky D3/207
- D337,884 S * 8/1993 Dindorf D3/208
- D349,189 S * 8/1994 Hong D3/208
- D349,400 S * 8/1994 Bearinger D3/208
- D438,699 S * 3/2001 Campman D3/215
- D547,057 S * 7/2007 Griffin D3/218
- D551,856 S * 10/2007 Ko D3/218
- D611,700 S * 3/2010 Nussberger D3/215
- D631,894 S * 2/2011 Chun D14/203.1
- D695,298 S * 12/2013 Han D14/440
- D709,509 S * 7/2014 Kim D14/440
- D750,516 S * 3/2016 Myers D3/218
- D765,525 S * 9/2016 Huang D10/70
- D814,476 S * 4/2018 Roberts D14/440
- D815,086 S * 4/2018 Jeon D14/251
- D824,397 S * 7/2018 Charlesworth D14/440
- D844,971 S * 4/2019 Laurans D3/207

FIG. 1 is a front and top perspective view of a tracker protective case, showing my new design;
FIG. 2 is a rear and bottom perspective view thereof;
FIG. 3 is a front elevation view thereof;
FIG. 4 is a rear elevation view thereof;
FIG. 5 is a left side elevation view thereof;
FIG. 6 is a right side elevation view thereof;
FIG. 7 is a top plan view thereof; and,
FIG. 8 is a bottom plan view thereof.
The broken lines in the figures illustrate portions of the tracker protective case that form no part of the claimed design.

1 Claim, 8 Drawing Sheets



(56)

References Cited

U.S. PATENT DOCUMENTS

D953,014 S * 5/2022 Akana D3/215
D957,970 S * 7/2022 Lee D10/74

OTHER PUBLICATIONS

Nomad announces Card for AirTag to make it easy to track your wallet, iMore, publication date Jun. 22, 2021, (online) URL: <https://www.imore.com/nomad-announces-card-airtag-make-it-easy-track-your-wallet> (Year: 2021).*

* cited by examiner

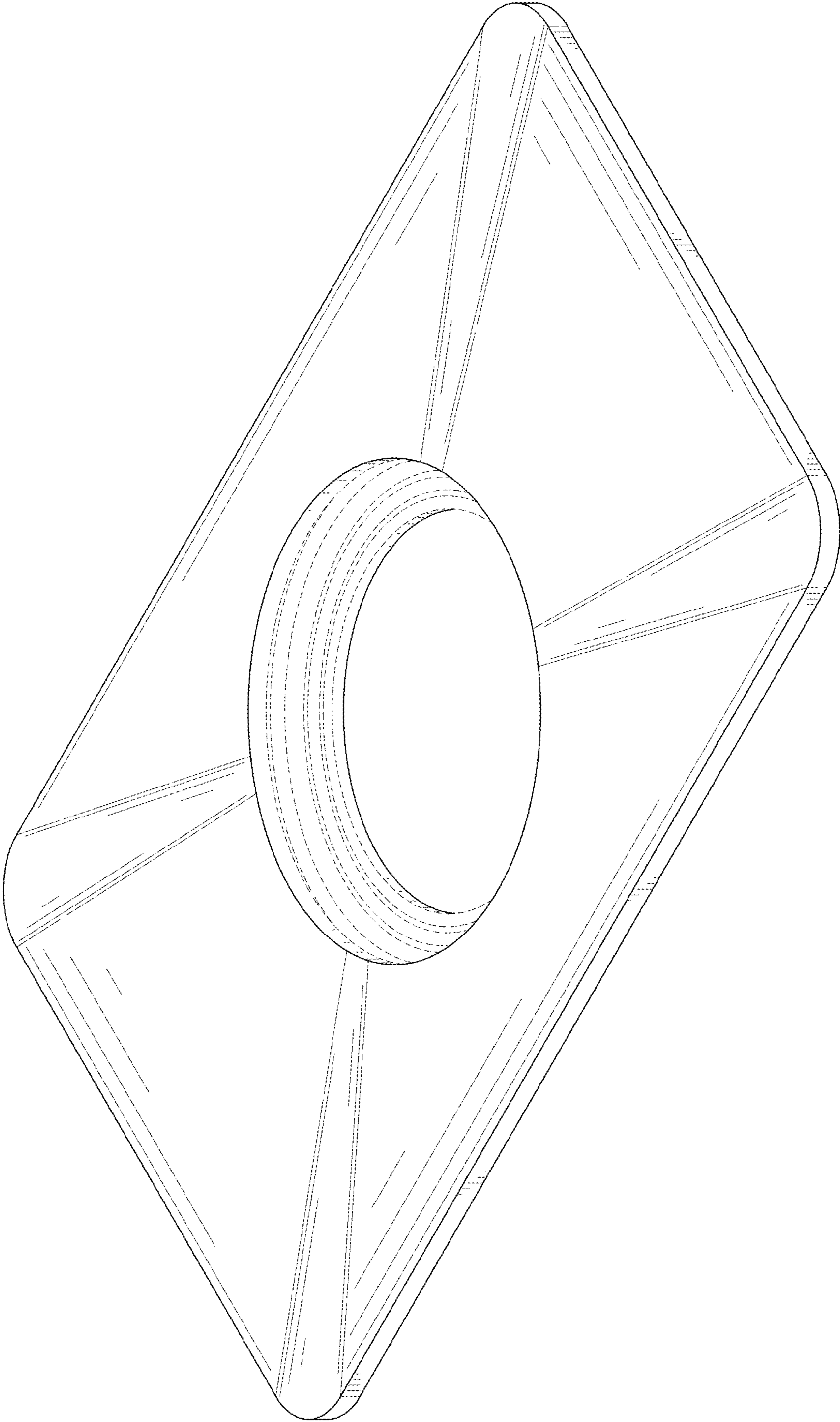


FIG. 1

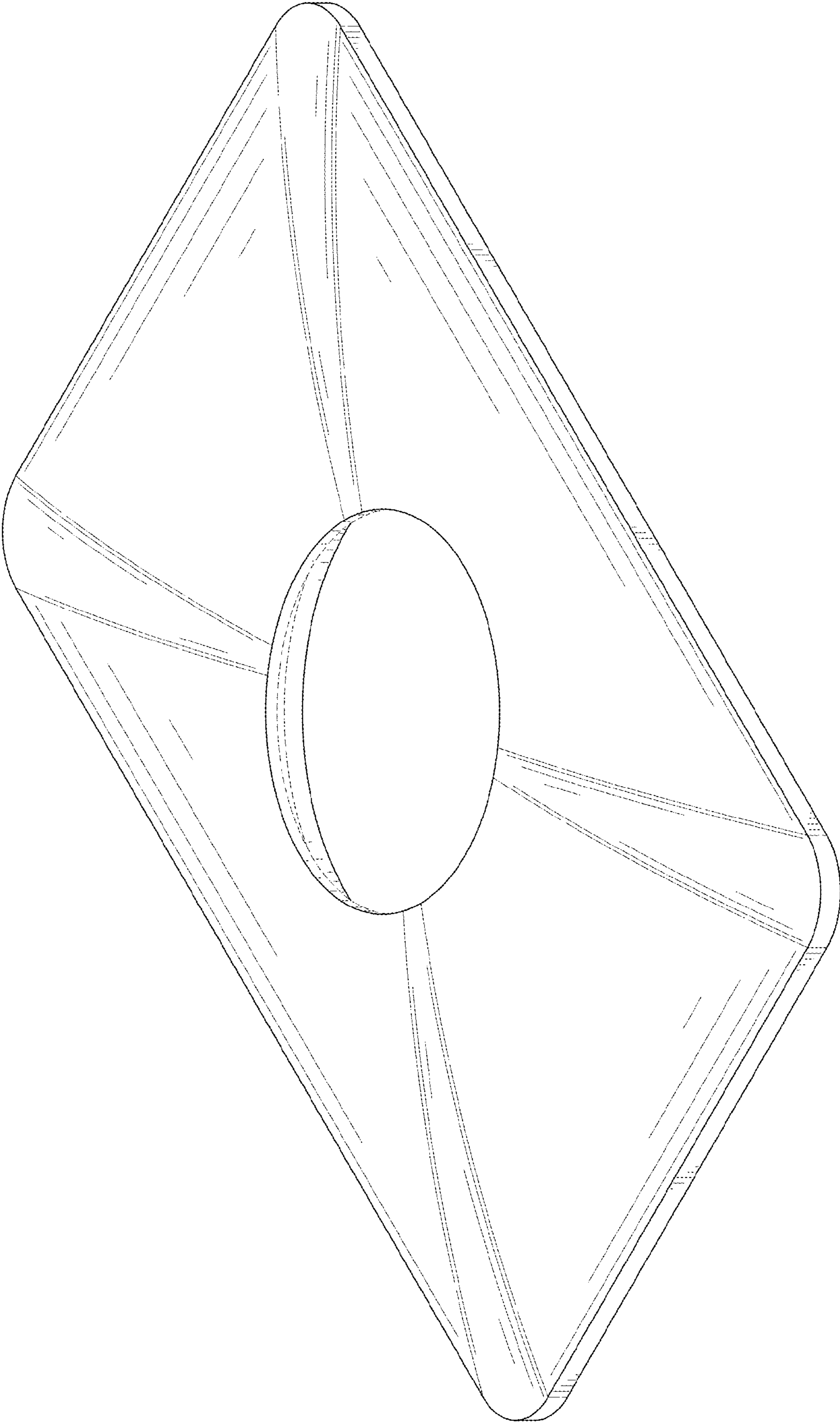


FIG. 2

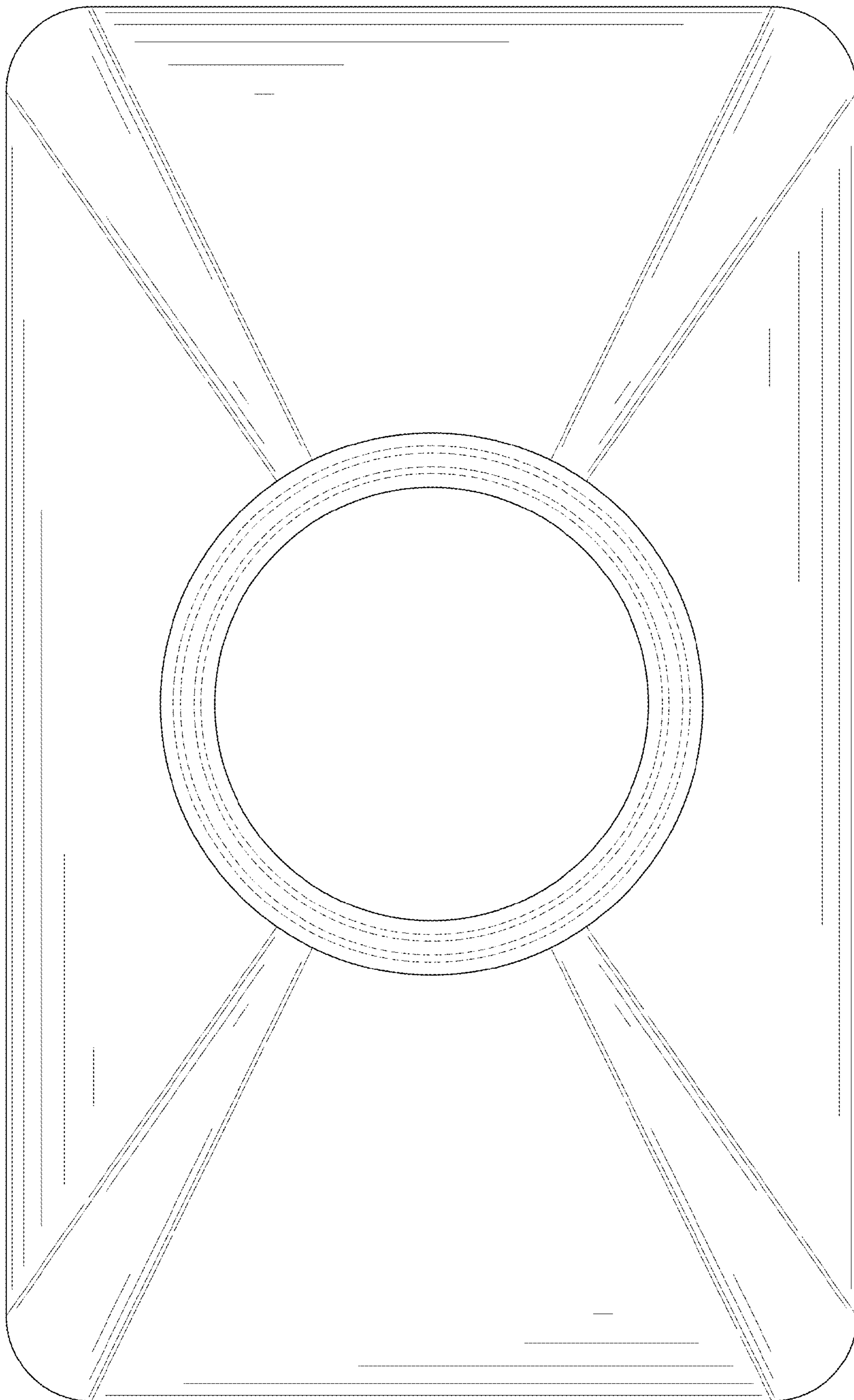


FIG. 3

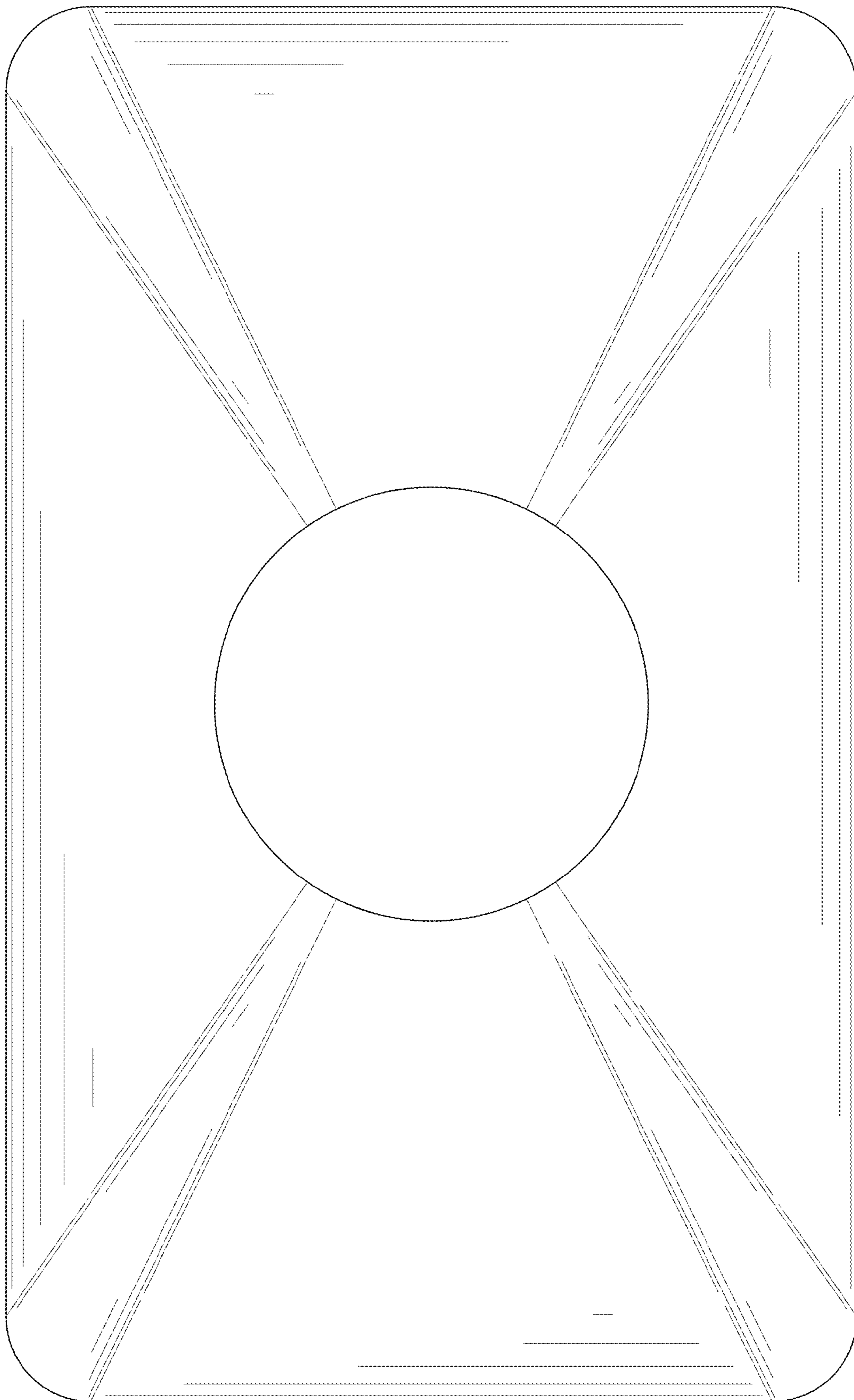


FIG. 4

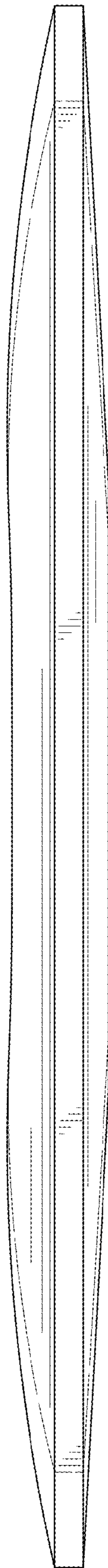


FIG. 5

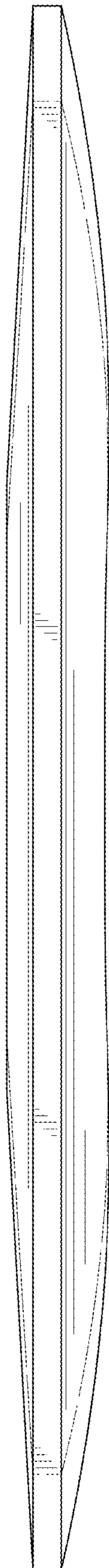


FIG. 6

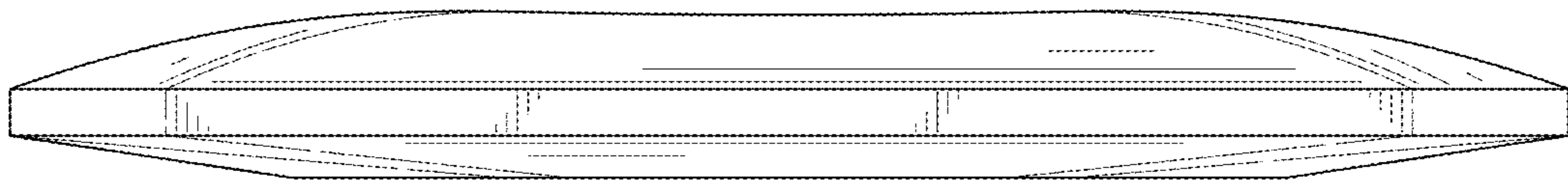


FIG. 7

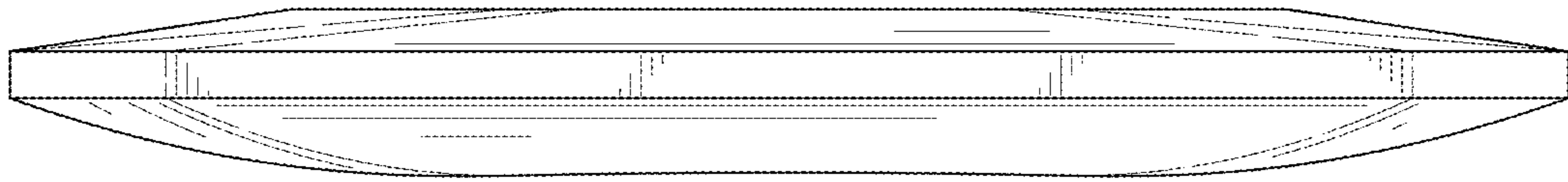


FIG. 8