

US00D965452S

(12) **United States Design Patent** (10) **Patent No.:** **US D965,452 S**  
**Moore** (45) **Date of Patent:** **\*\* Oct. 4, 2022**

(54) **MOTION DETECTOR**

(71) Applicant: **Orange Peel Projects, Inc.**, Walpole, MA (US)

(72) Inventor: **Tal Moore**, San Diego, CA (US)

(73) Assignee: **ORANGE PEEL PROJECTS, INC.**, Walpole, MA (US)

(\*\*) Term: **15 Years**

(21) Appl. No.: **29/817,105**

(22) Filed: **Nov. 29, 2021**

**Related U.S. Application Data**

(63) Continuation of application No. 29/696,647, filed on Jun. 28, 2019, now Pat. No. Des. 939,978.

(51) **LOC (13) Cl.** ..... **10-04**

(52) **U.S. Cl.**  
USPC ..... **D10/70; D10/106.6**

(58) **Field of Classification Search**  
USPC ..... **D10/70, 106.6**

(Continued)

(56) **References Cited**

**U.S. PATENT DOCUMENTS**

D842,142 S \* 3/2019 Recker ..... D10/70

D930,490 S \* 9/2021 Moore ..... D10/70

(Continued)

**OTHER PUBLICATIONS**

International Search Report and Written Opinion issued for PCT/US2020/039833, dated Nov. 5, 2020, 13 pgs.

*Primary Examiner* — Antoine Duval Davis

(74) *Attorney, Agent, or Firm* — Brooks Kushman P.C.

(57) **CLAIM**

The ornamental design for a motion detector, as shown and described.

**DESCRIPTION**

FIG. 1 is a perspective view of a motion detector according to one embodiment;

FIG. 2 is a front view of the motion detector of FIG. 1;

FIG. 3 is a rear view of the motion detector of FIG. 1;

FIG. 4 is a top view of the motion detector of FIG. 1;

FIG. 5 is a bottom view of the motion detector of FIG. 1;

FIG. 6 is a right side view of the motion detector of FIG. 1;

FIG. 7 is a left side view of the motion detector of FIG. 1;

FIG. 8 is a perspective view of the motion detector of FIG. 1 in an alternate configuration;

FIG. 9 is a perspective view of a motion detector according to another embodiment;

FIG. 10 is a front view of the motion detector of FIG. 9;

FIG. 11 is a rear view of the motion detector of FIG. 9;

FIG. 12 is a top view of the motion detector of FIG. 9;

FIG. 13 is a bottom view of the motion detector of FIG. 9;

FIG. 14 is a right side view of the motion detector of FIG. 9;

FIG. 15 is a left side view of the motion detector of FIG. 9;

FIG. 16 is a perspective view of the motion detector of FIG. 9 in an alternate configuration;

FIG. 17 is a perspective view of a motion detector according to another embodiment;

FIG. 18 is a front view of the motion detector of FIG. 17;

FIG. 19 is a rear view of the motion detector of FIG. 17;

FIG. 20 is a top view of the motion detector of FIG. 17;

FIG. 21 is a bottom view of the motion detector of FIG. 17;

FIG. 22 is a right side view of the motion detector of FIG. 17;

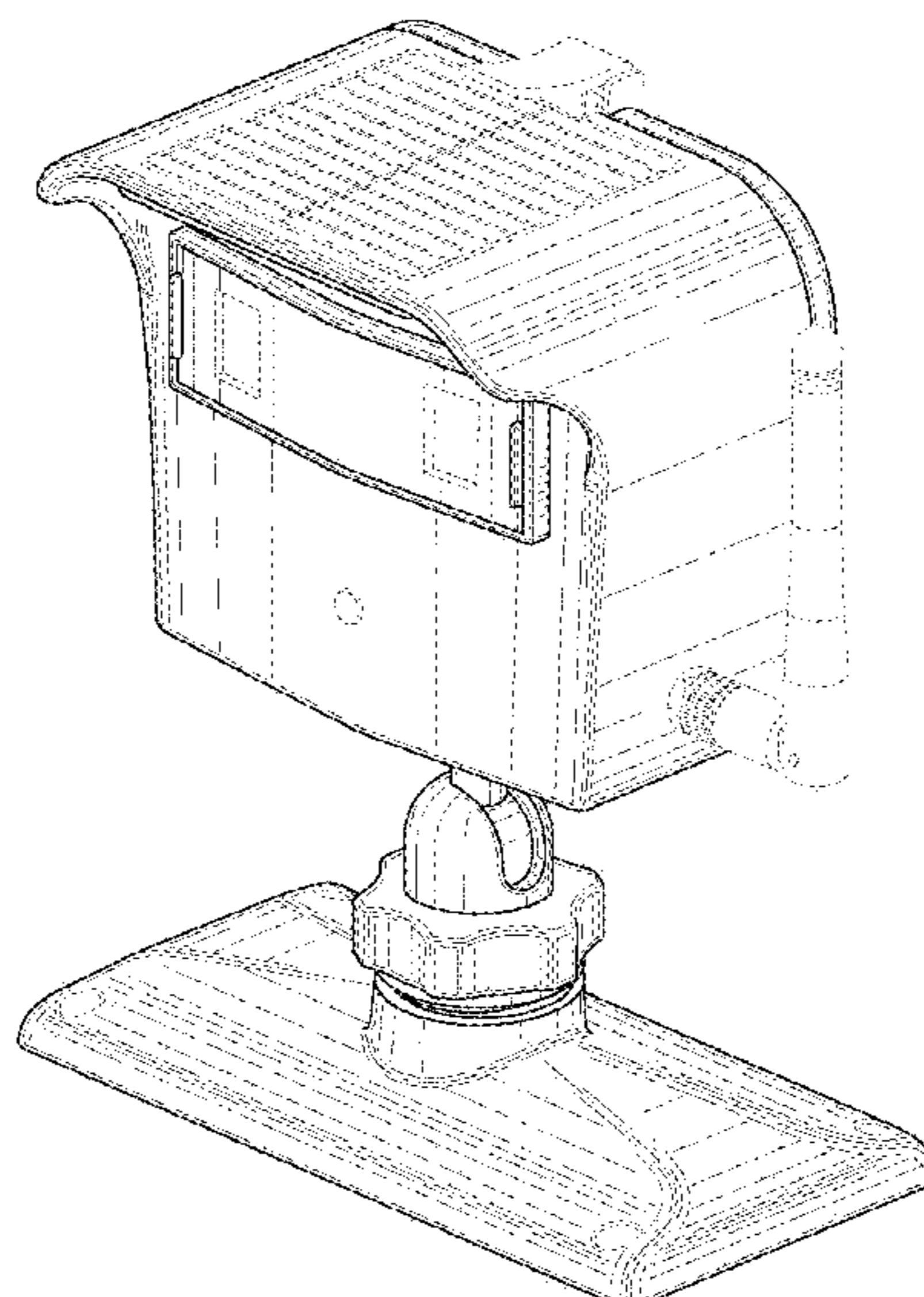
FIG. 23 is a left side view of the motion detector of FIG. 17;

and,

FIG. 24 is a perspective view of the motion detector of FIG. 17 in an alternate configuration.

The broken lines are for illustrative purposes only and form no part of the claimed design.

**1 Claim, 21 Drawing Sheets**



(58) **Field of Classification Search**

CPC . G01J 5/0022; G01J 5/10; G01P 13/00; G01P 13/0006; G01P 13/0013; G01P 13/002; G01P 13/0026; G01P 13/0033; G01P 13/004; G01P 13/0046; G01P 13/0053; G01P 13/006; G01P 13/0066; G01P 13/0073; G01P 13/008; G01P 13/0086; G01P 13/0093; G08B 29/183; G08B 21/00; G08B 21/02; G08B 21/0202; G08B 21/0205; G08B 21/0208; G08B 21/0211; G08B 21/0213; G08B 21/0216; G08B 21/0219; G08B 21/0222; G08B 21/0225; G08B 21/0227; G08B 21/023; G08B 21/0233; G08B 21/0236; G08B 21/0238; G08B 21/0241; G08B 21/0244; G08B 21/0247; G08B 21/025; G08B 21/0252; G08B 21/0258; G08B 21/0261; G08B 21/0263; G08B 21/0266; G08B 21/0269; G08B 21/0272; G08B 21/0275; G08B 21/0277; G08B 21/028; G08B 21/0283; G08B 21/0286; G08B 21/0288; G08B 21/0291; G08B 21/0194; G08B 21/0297; G08B 21/04; G08B 21/0407; G08B 21/0415; G08B 21/0423; G08B 21/043; G08B 21/0438; G08B 21/0446; G08B 21/0453; G08B 21/0461; G08B 21/0469; G08B 21/0476; G08B 21/0484; G08B 21/0492; G08B 21/06; G08B 21/08; G08B 21/082; G08B 21/084; G08B 21/086; G08B 21/088; G08B 21/10; G08B 21/12; G08B 21/14; G08B 21/16; G08B 21/18; G08B 21/182; G08B 21/185; G08B 21/187; G08B 21/20; G08B 21/22; G08B 21/24; G08B 21/245; G08B 23/00; G08B 13/00; G08B 13/02; G08B 13/04; G08B 13/06; G08B 13/08; G08B 13/10; G08B 13/12; G08B 13/122; G08B 13/124; G08B 13/126; G08B 13/028; G08B 13/14; G08B 13/1409; G08B 13/1418; G08B 13/1427; G08B 13/1436; G08B 13/1445; G08B 13/1454; G08B 13/1463; G08B 13/1472; G08B 13/1481; G08B 13/149; G08B 13/16; G08B 13/1609; G08B 13/1618; G08B 13/1627; G08B 13/1636; G08B 13/1645; G08B 13/1654; G08B 13/1663; G08B 13/1672; G08B 13/1681; G08B 13/169; G08B 13/18; G08B 13/181; G08B 13/183; G08B 13/184; G08B 13/186; G08B 13/187; G08B 13/189; G08B 13/1895; G08B 13/19; G08B 13/191; G08B 13/193; G08B 13/194; G08B

13/196; G08B 13/19602; G08B 13/19604; G08B 13/19606; G08B 13/19608; G08B 13/1961; G08B 13/19613; G08B 13/19615; G08B 13/19617; G08B 13/19619; G08B 13/19621; G08B 13/19623; G08B 13/19626; G08B 13/19628; G08B 13/1963; G08B 13/19632; G08B 13/19634; G08B 13/19636; G08B 13/19639; G08B 13/19641; G08B 13/19643; G08B 13/19645; G08B 13/19647; G08B 13/1965; G08B 13/19652; G08B 13/19654; G08B 13/19656; G08B 13/19658; G08B 13/1966; G08B 13/19663; G08B 13/19665; G08B 13/19667; G08B 13/19669; G08B 13/19671; G08B 13/19673; G08B 13/19676; G08B 13/19678; G08B 13/1968; G08B 13/19682; G08B 13/19684; G08B 13/19686; G08B 13/19689; G08B 13/19691; G08B 13/19693; G08B 13/19695; G08B 13/19697; G08B 13/20; G08B 13/22; G08B 13/24; G08B 13/2402; G08B 13/2405; G08B 13/2408; G08B 13/2411; G08B 13/2414; G08B 13/2417; G08B 13/242; G08B 13/2422; G08B 13/2425; G08B 13/2428; G08B 13/2431; G08B 13/2434; G08B 13/2437; G08B 13/244; G08B 13/2442; G08B 13/2445; G08B 13/2448; G08B 13/2451; G08B 13/2454; G08B 13/2457; G08B 13/246; G08B 13/2462; G08B 13/2465; G08B 13/2468; G08B 13/2471; G08B 13/2474; G08B 13/2477; G08B 13/248; G08B 13/2482; G08B 13/2485; G08B 13/2488; G08B 13/2491; G08B 13/2494; G08B 13/2497; G08B 13/26; G08B 13/16169; G08B 17/12; G01V 8/20; H03K 17/941; H03K 2017/9455; H03K 17/9505; H03K 17/9622; H03K 17/9627; H05B 37/0227

See application file for complete search history.

(56)

**References Cited**

U.S. PATENT DOCUMENTS

D939,978	S	*	1/2022	Moore	.....	D10/70
2002/0020816	A1		2/2002	Leen		
2015/0084517	A1		3/2015	Ayala et al.		
2015/0382432	A1		12/2015	Eskonen et al.		

\* cited by examiner

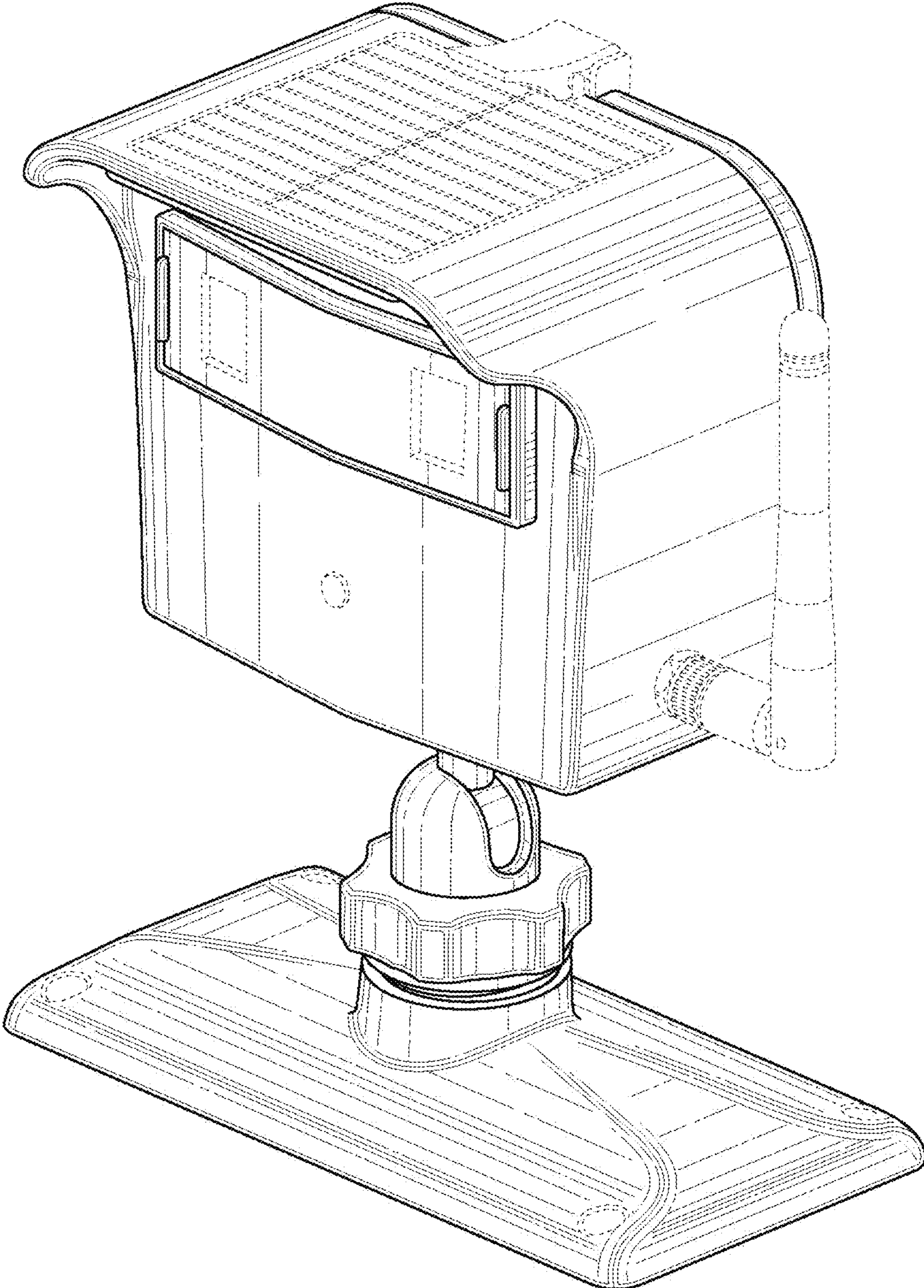


FIG. 1

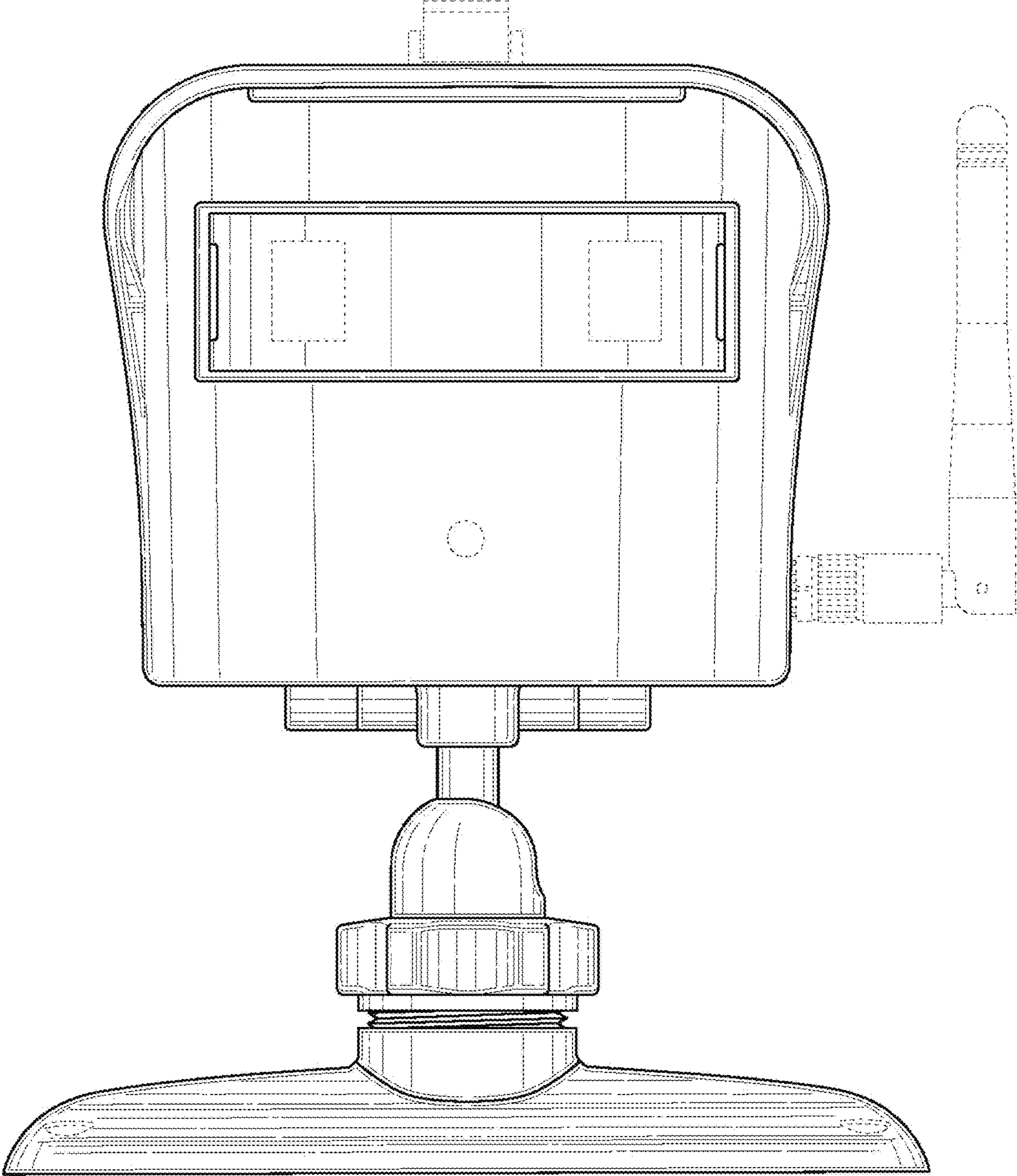


FIG. 2

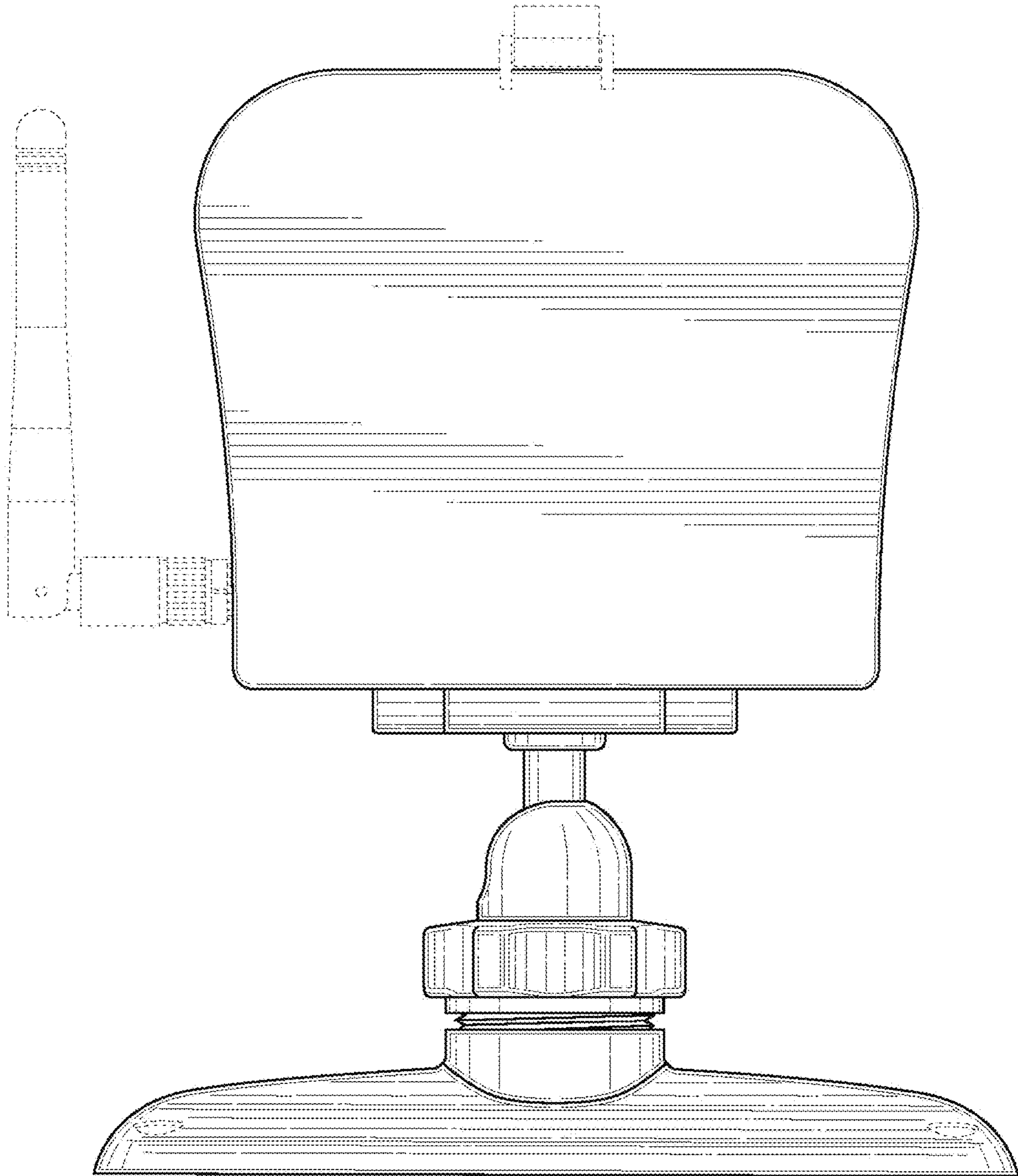


FIG. 3

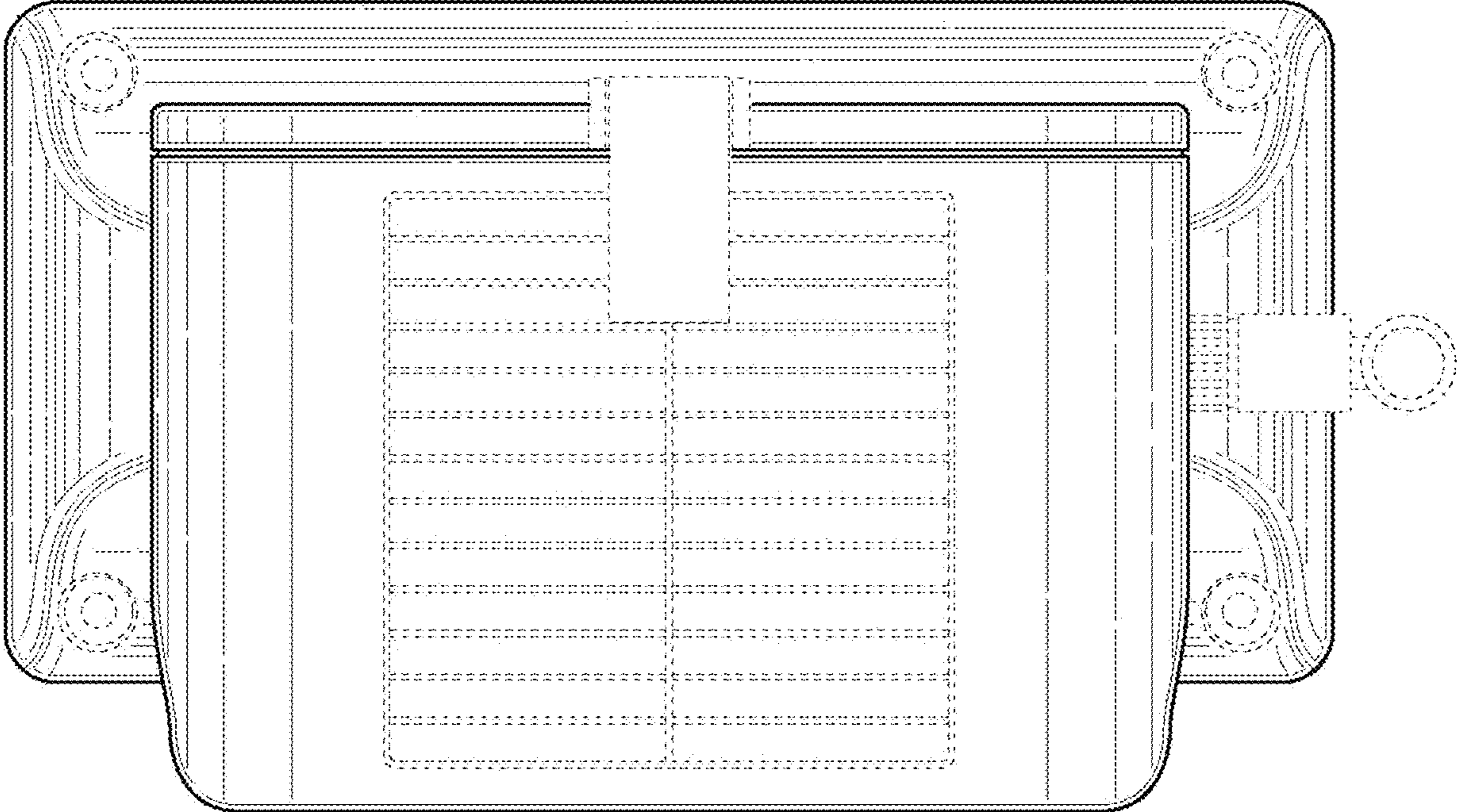


FIG. 4

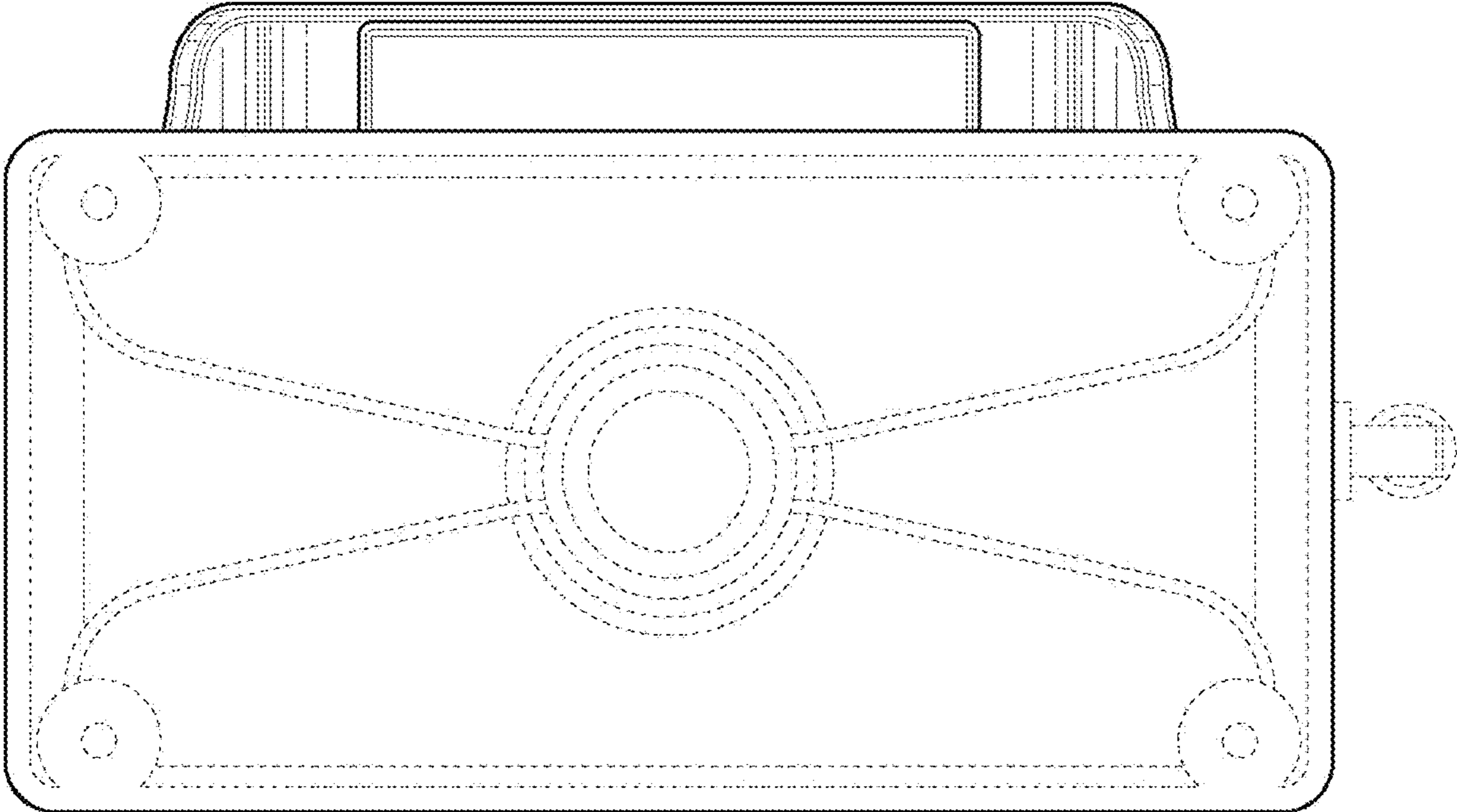


FIG. 5

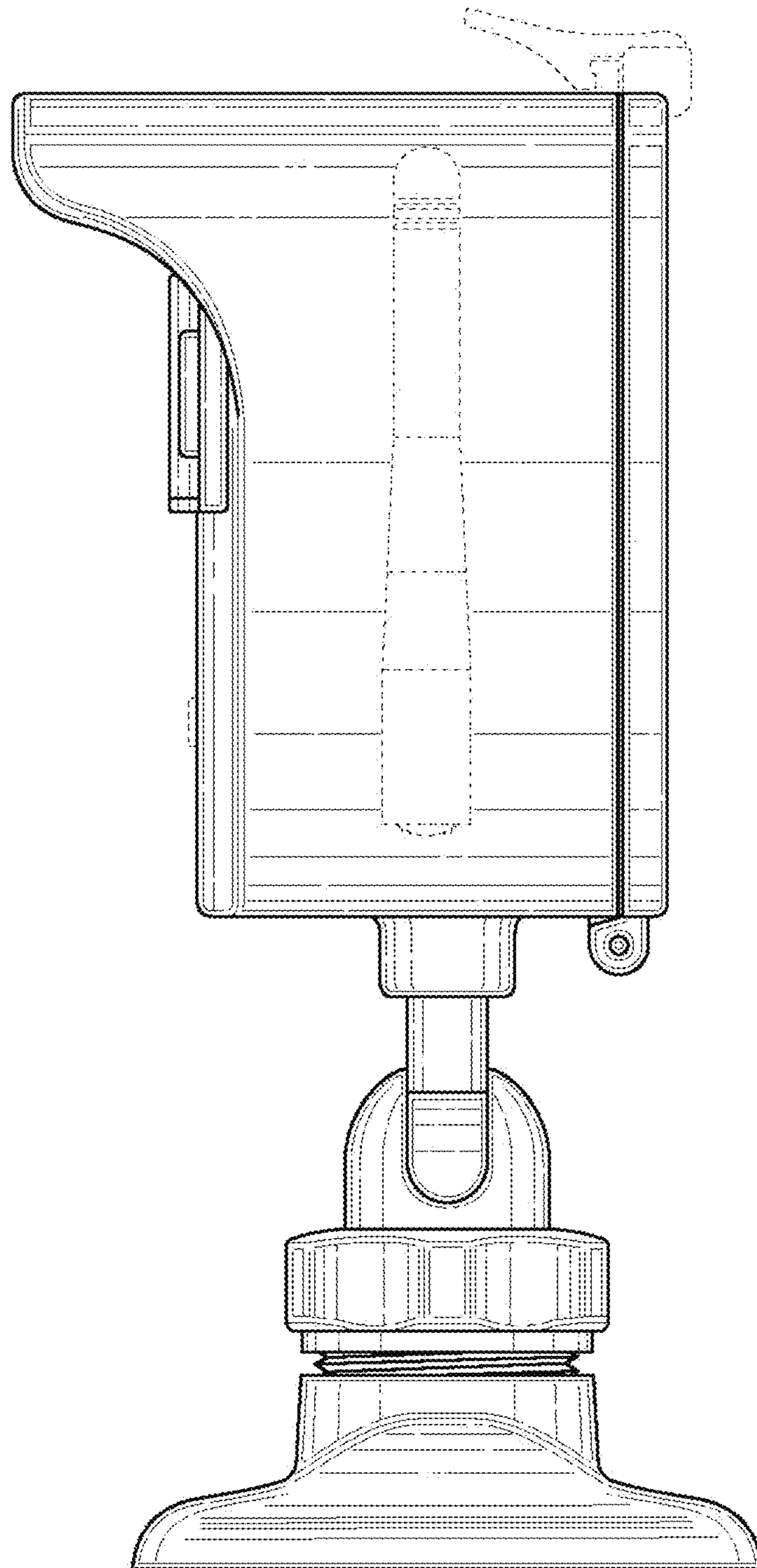


FIG. 6

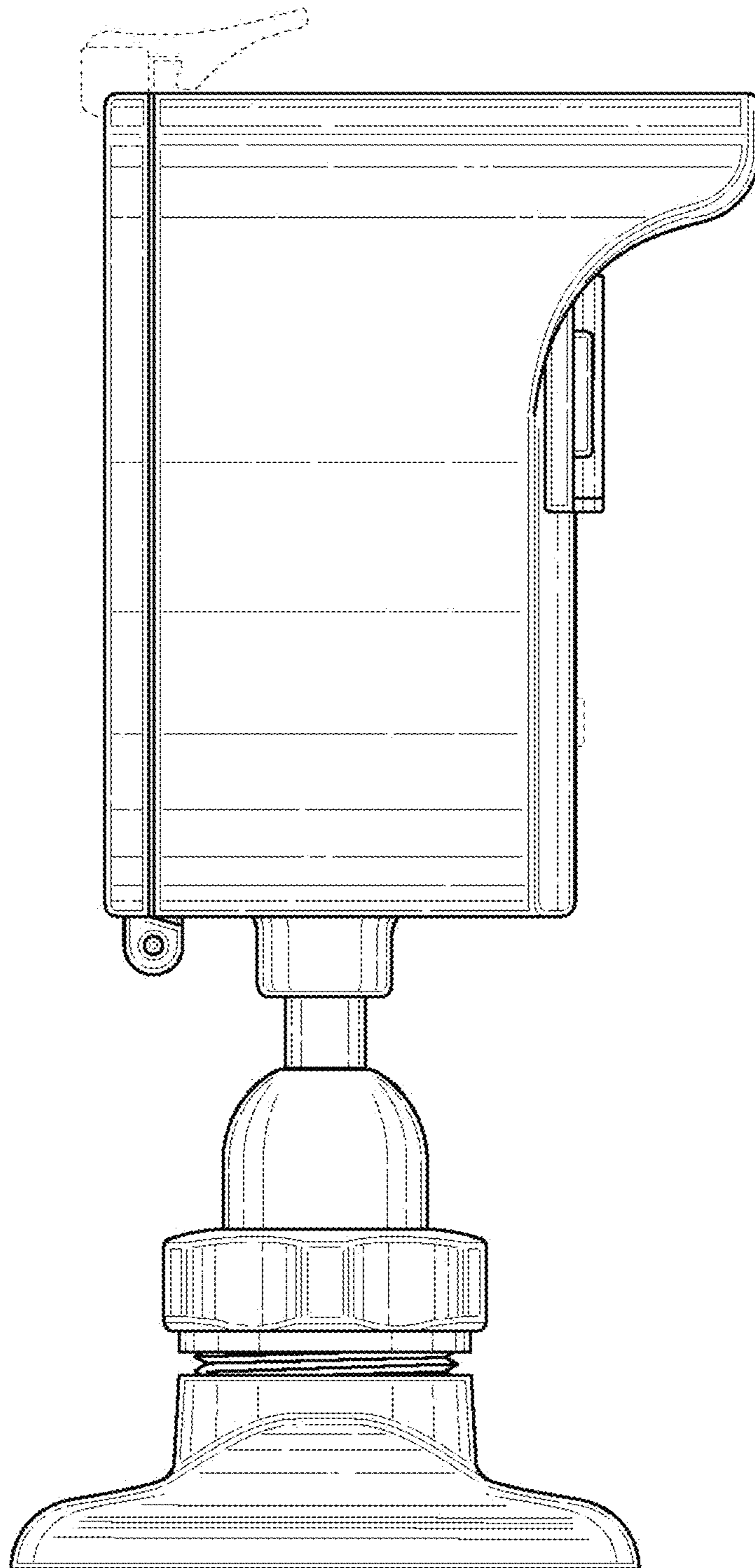
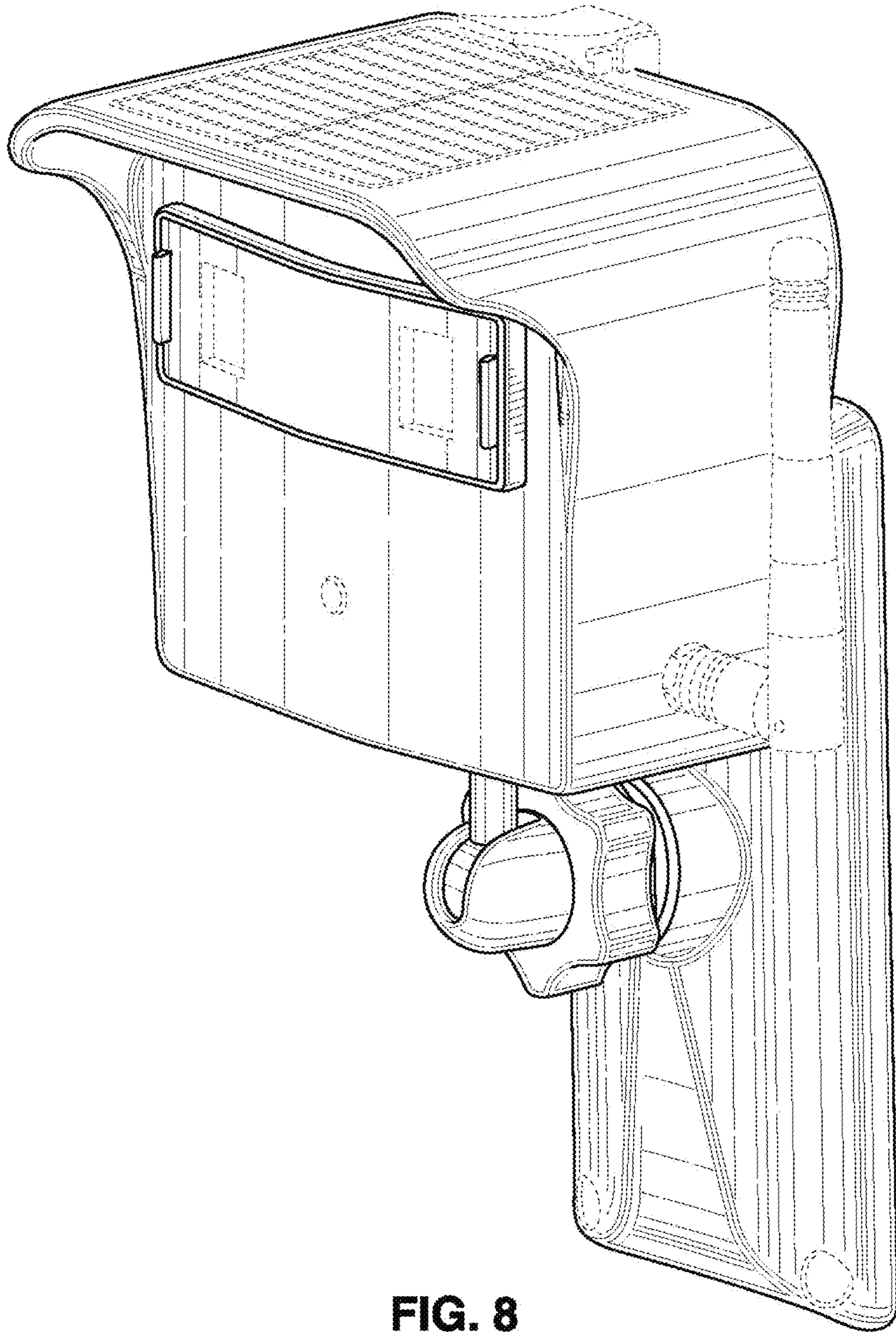


FIG. 7





**FIG. 8**

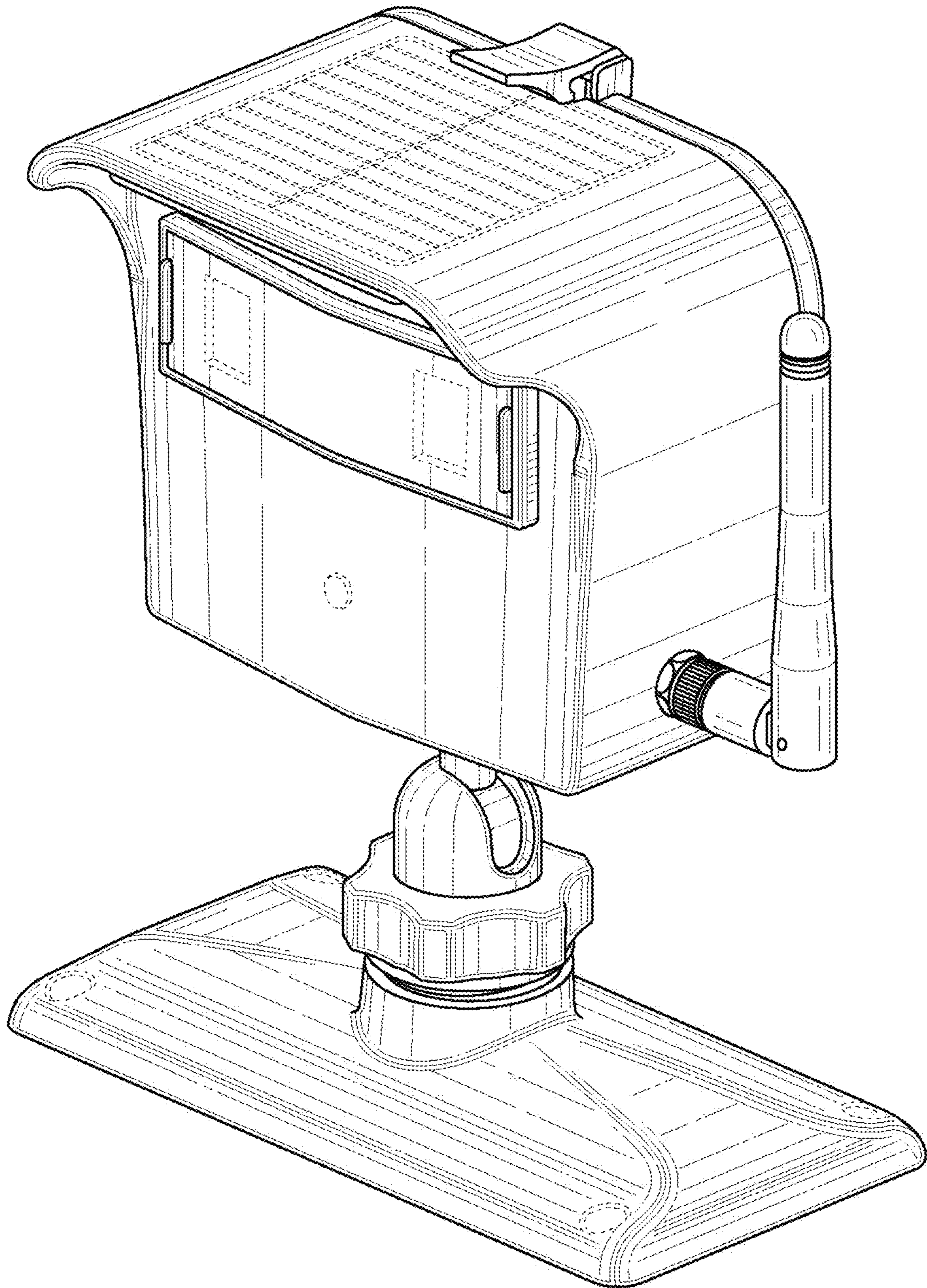


FIG. 9

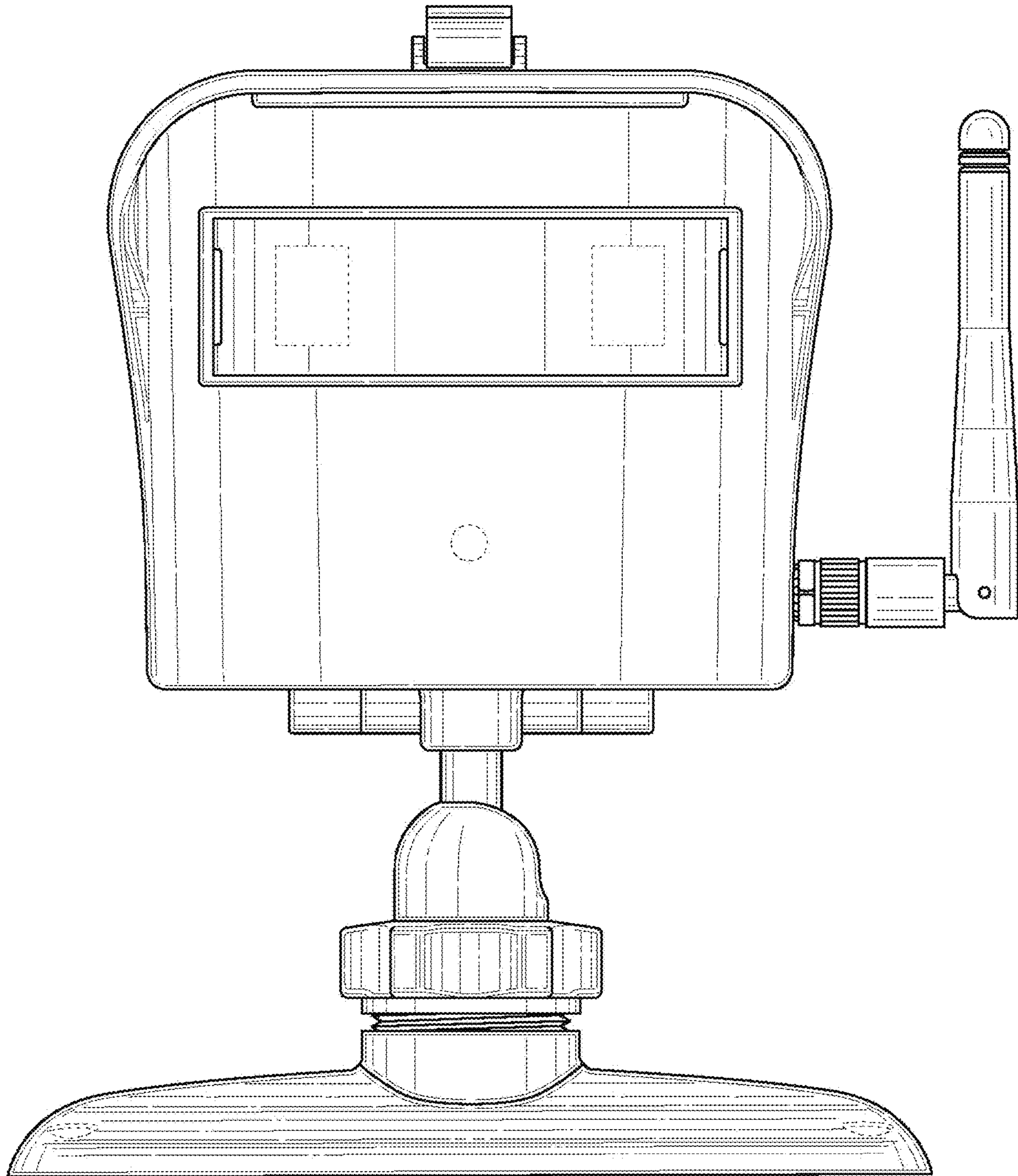


FIG. 10

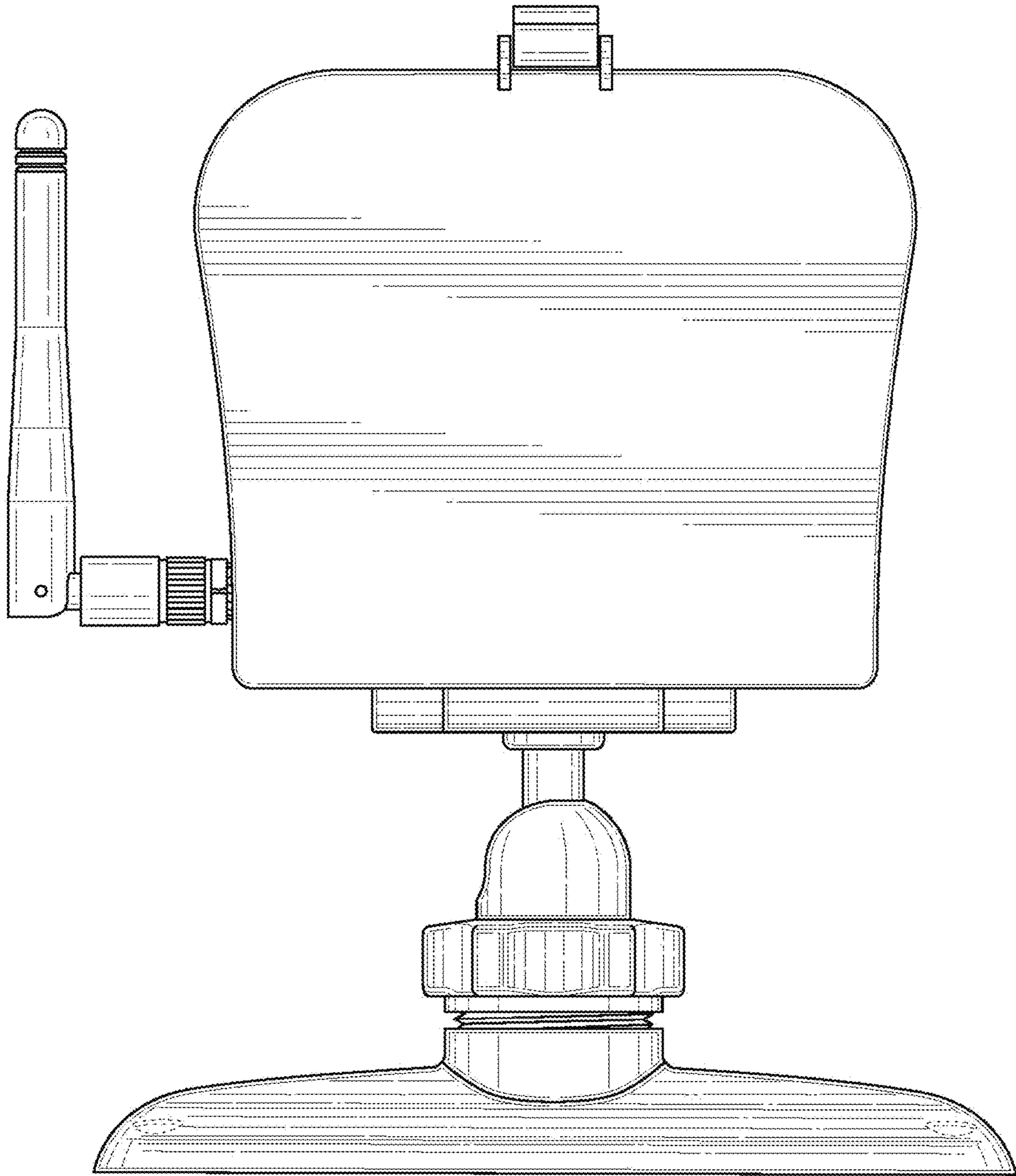


FIG. 11

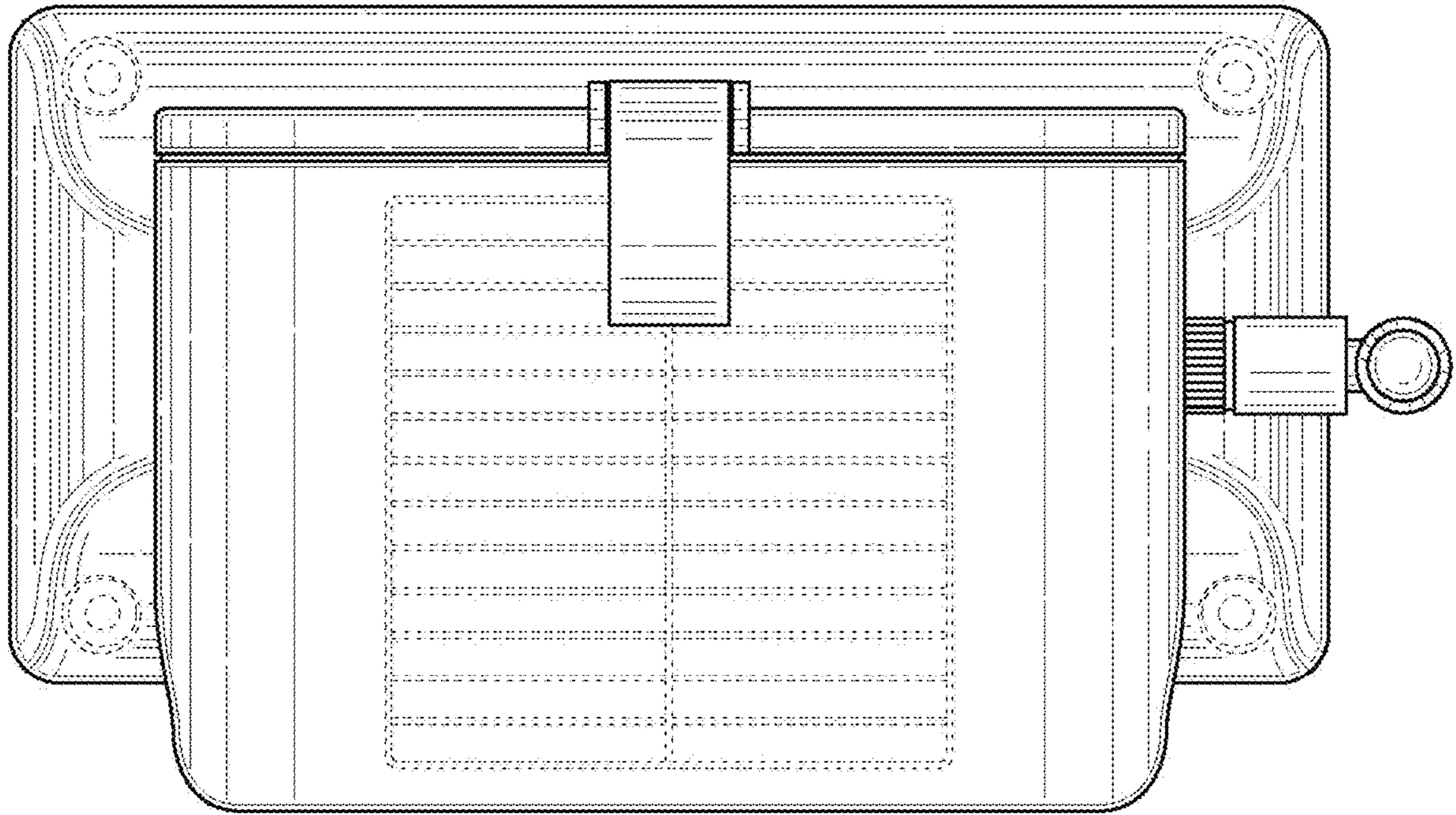


FIG. 12

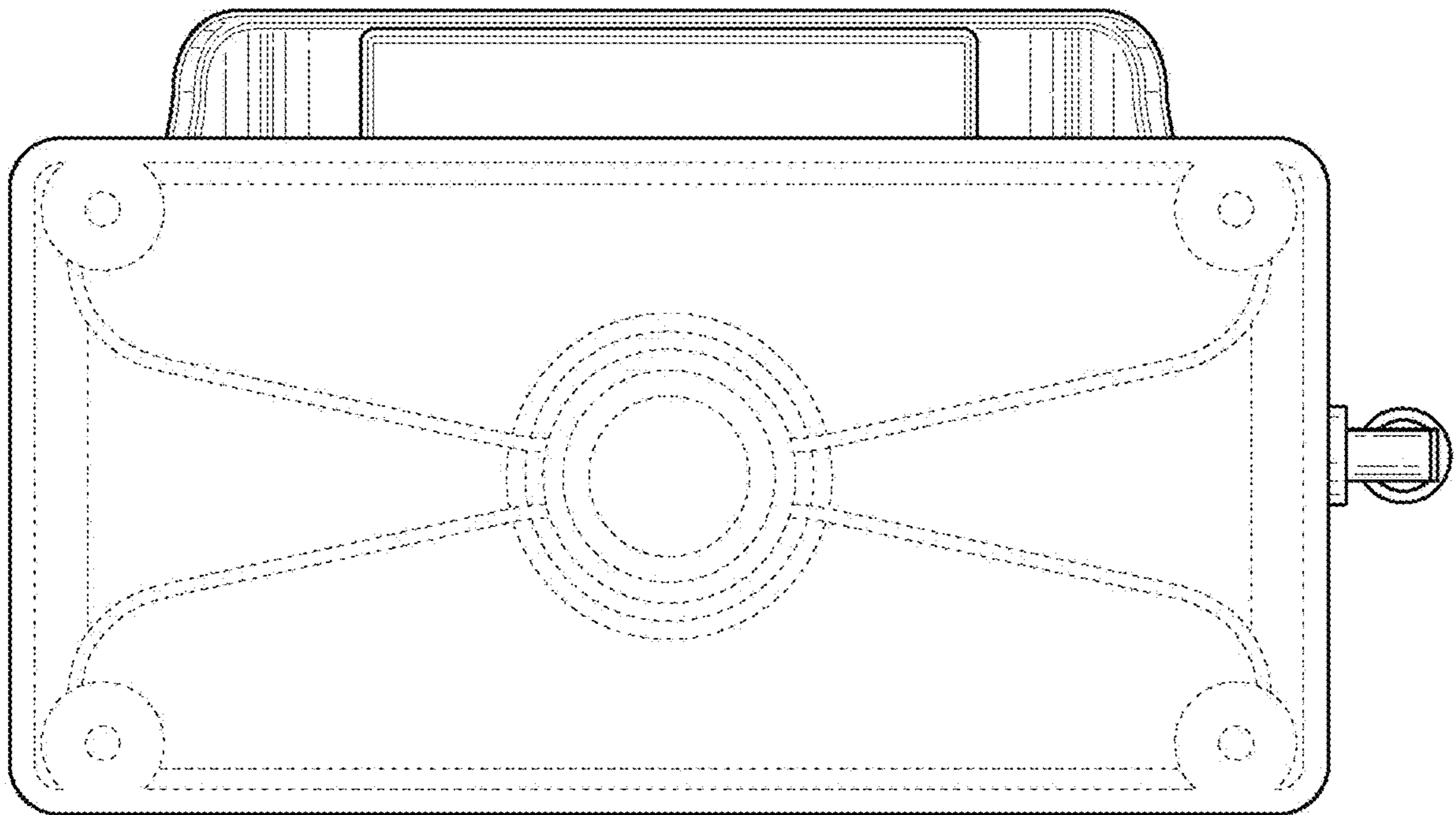


FIG. 13

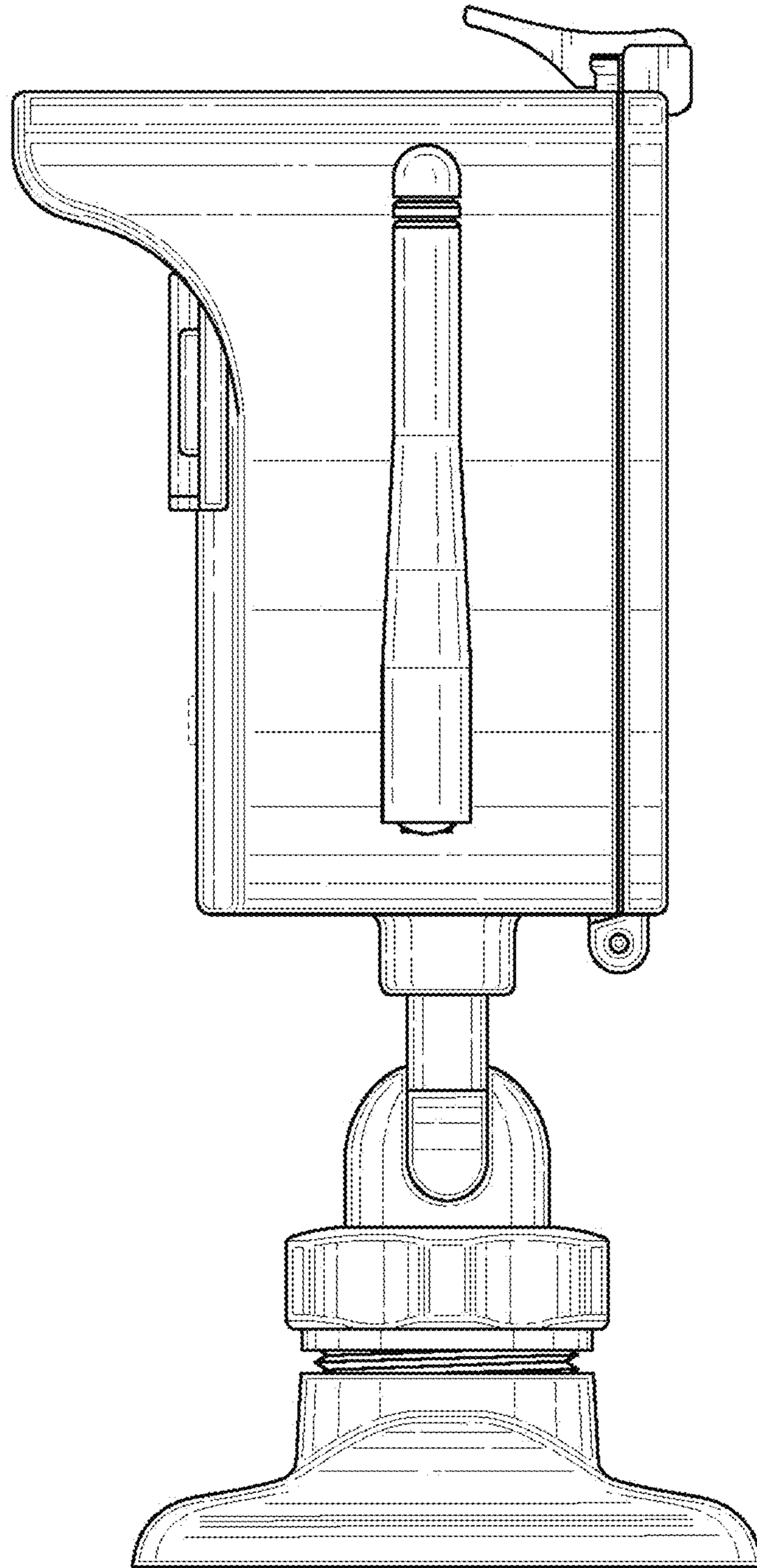


FIG. 14

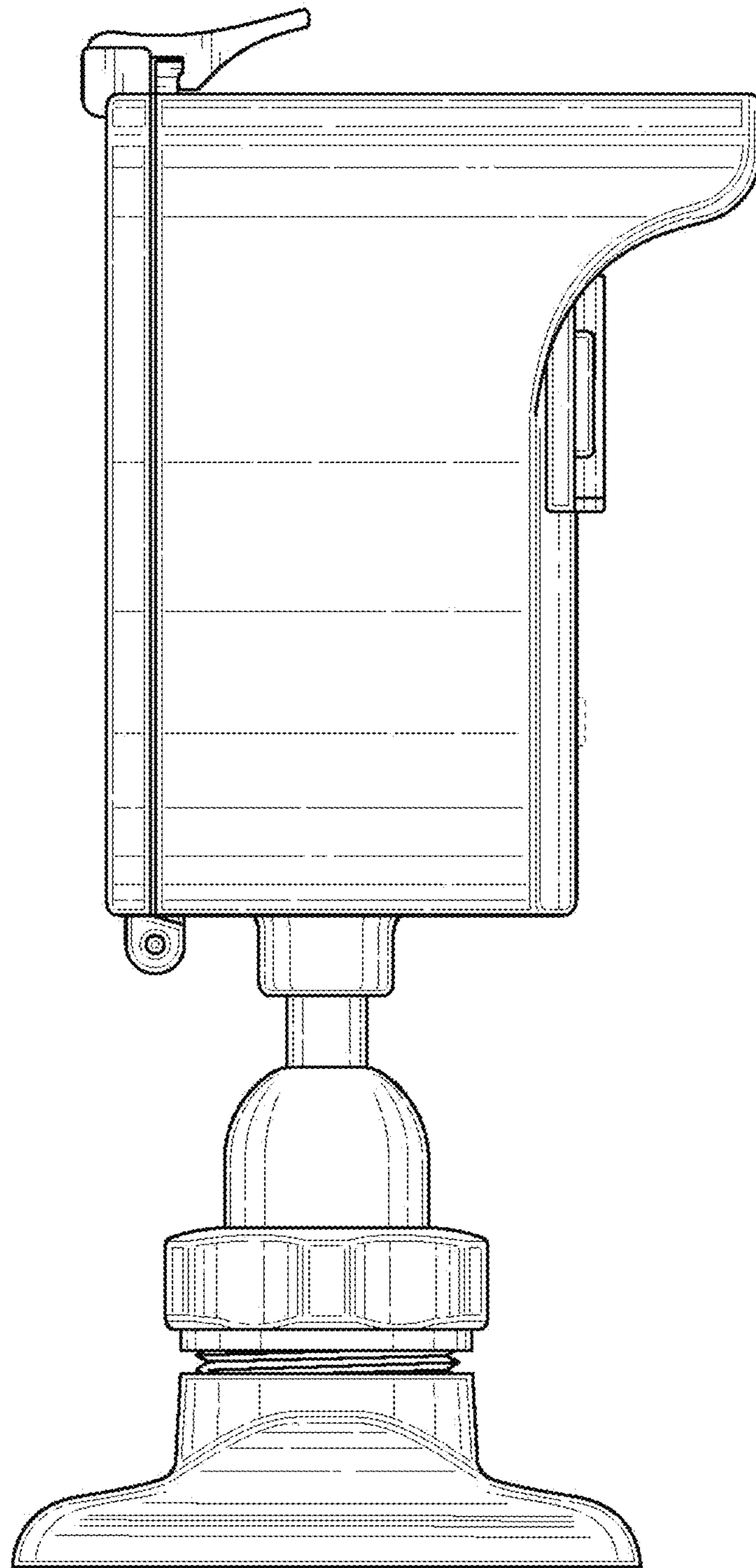


FIG. 15

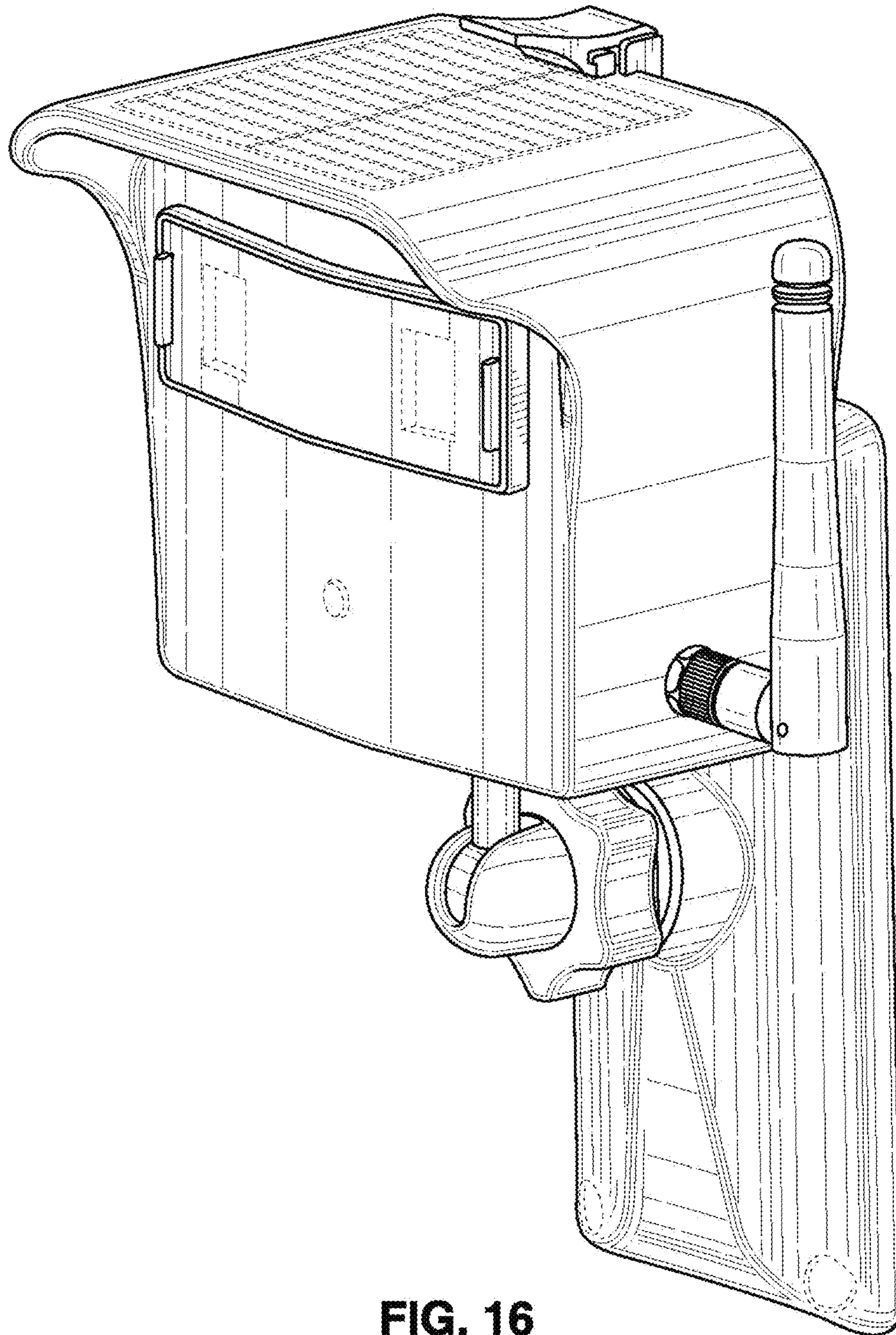


FIG. 16



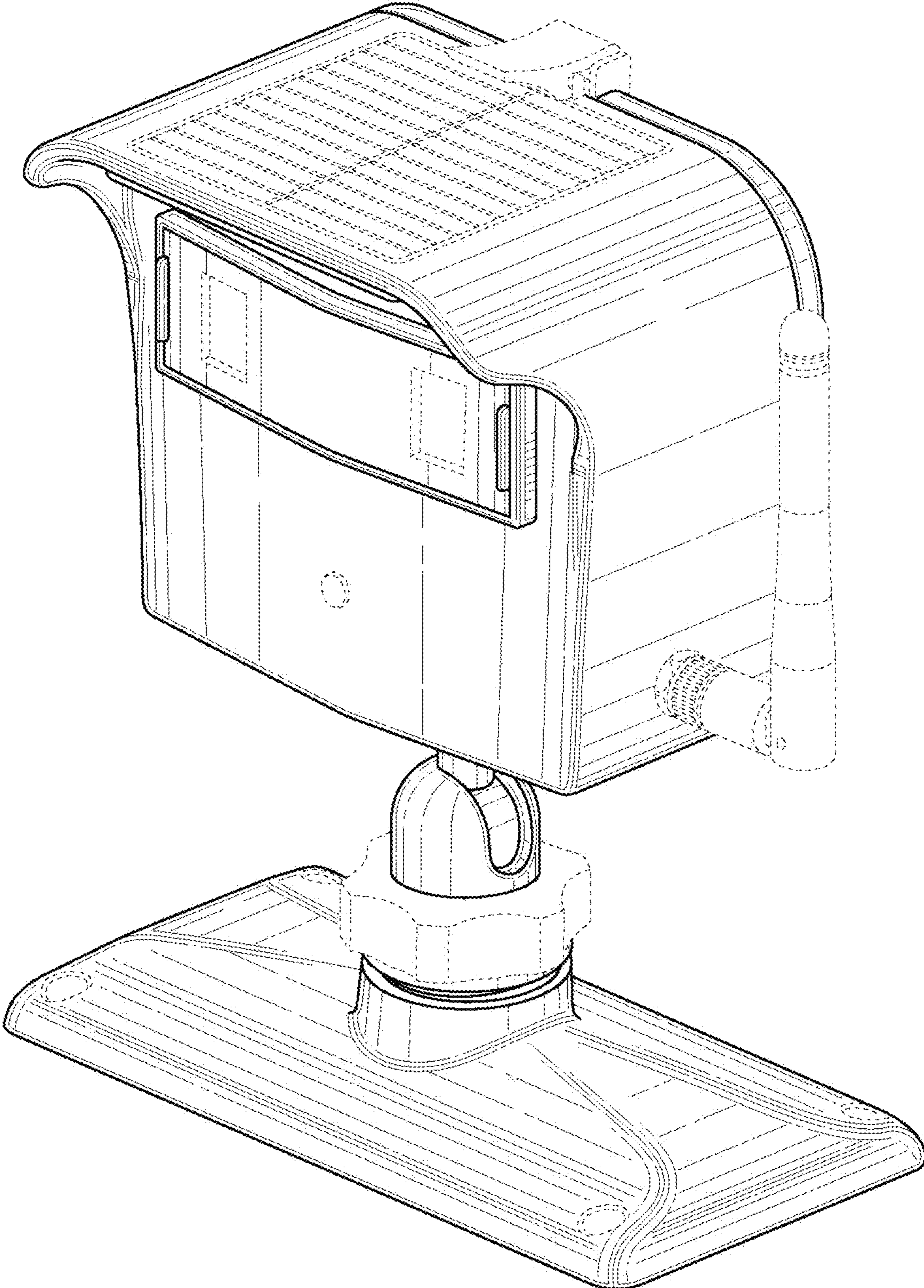


FIG. 17

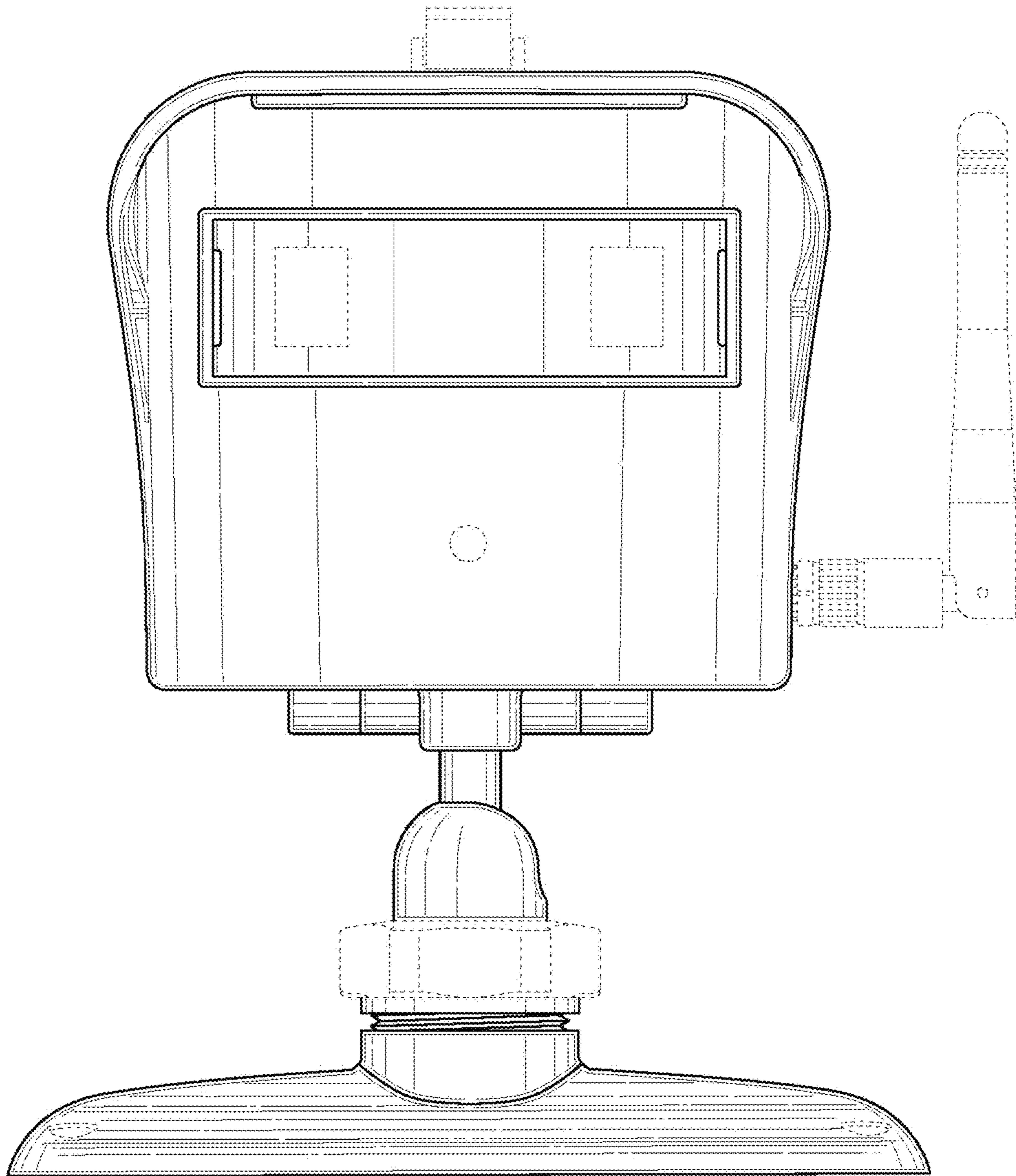


FIG. 18

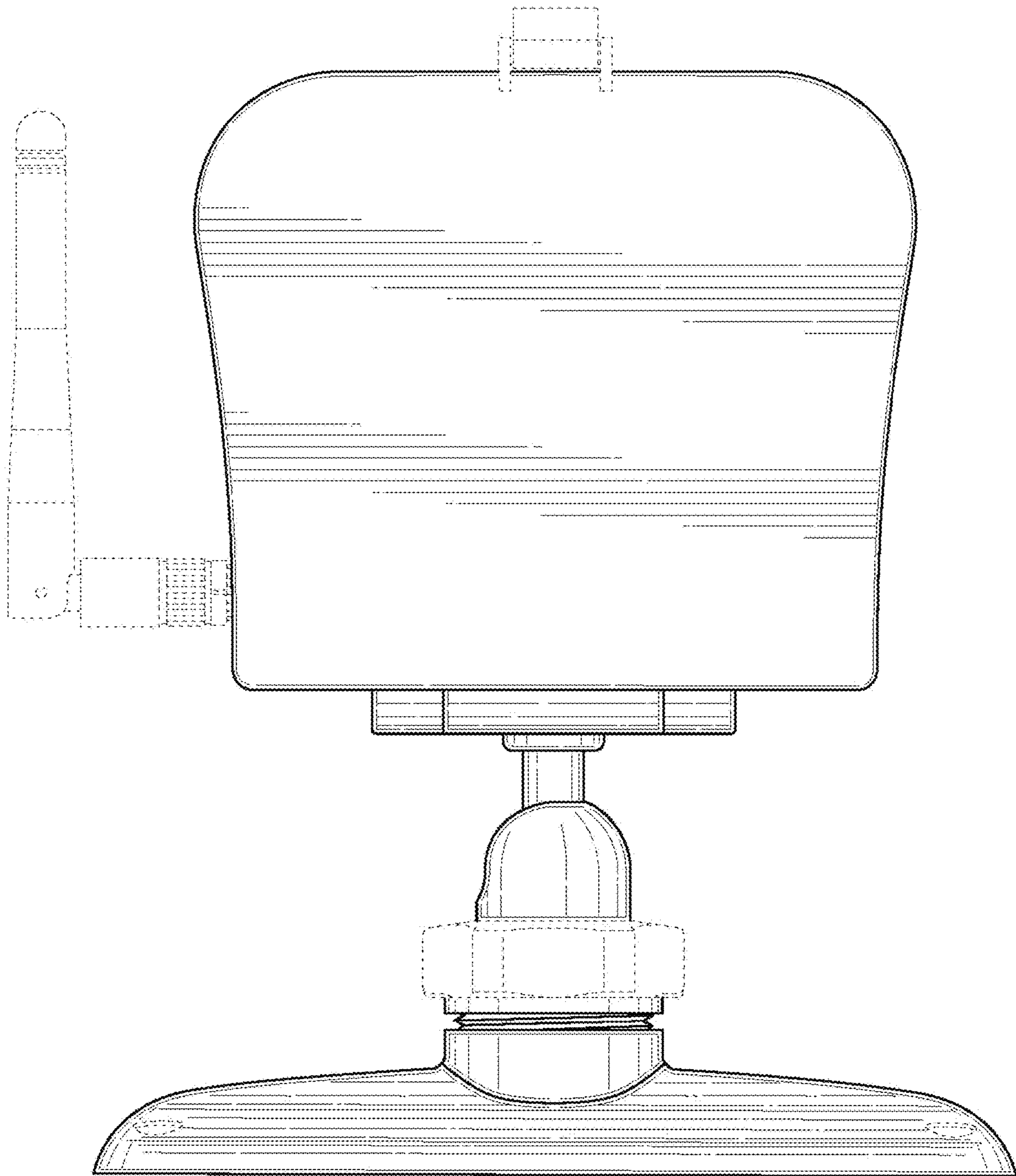
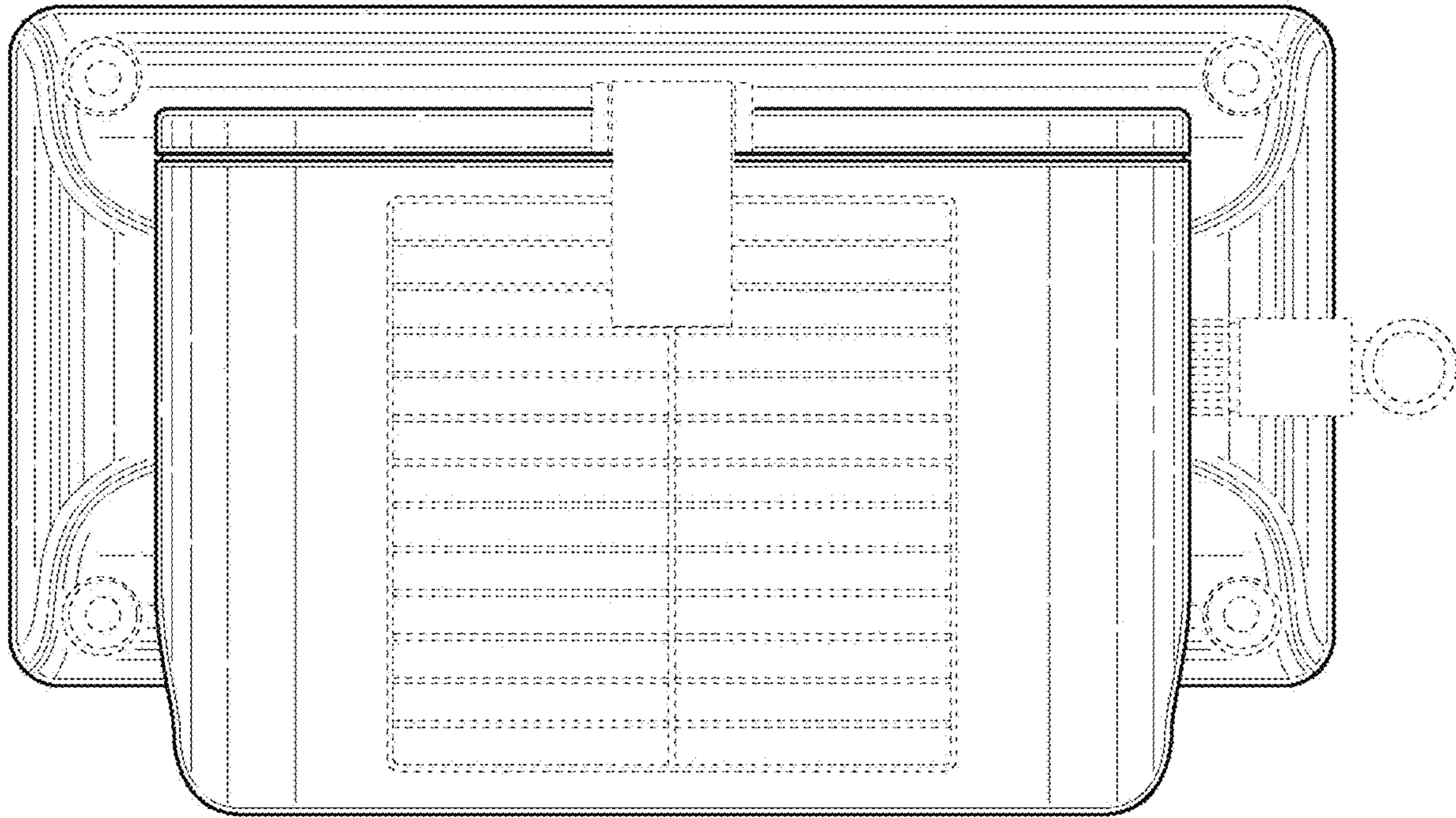
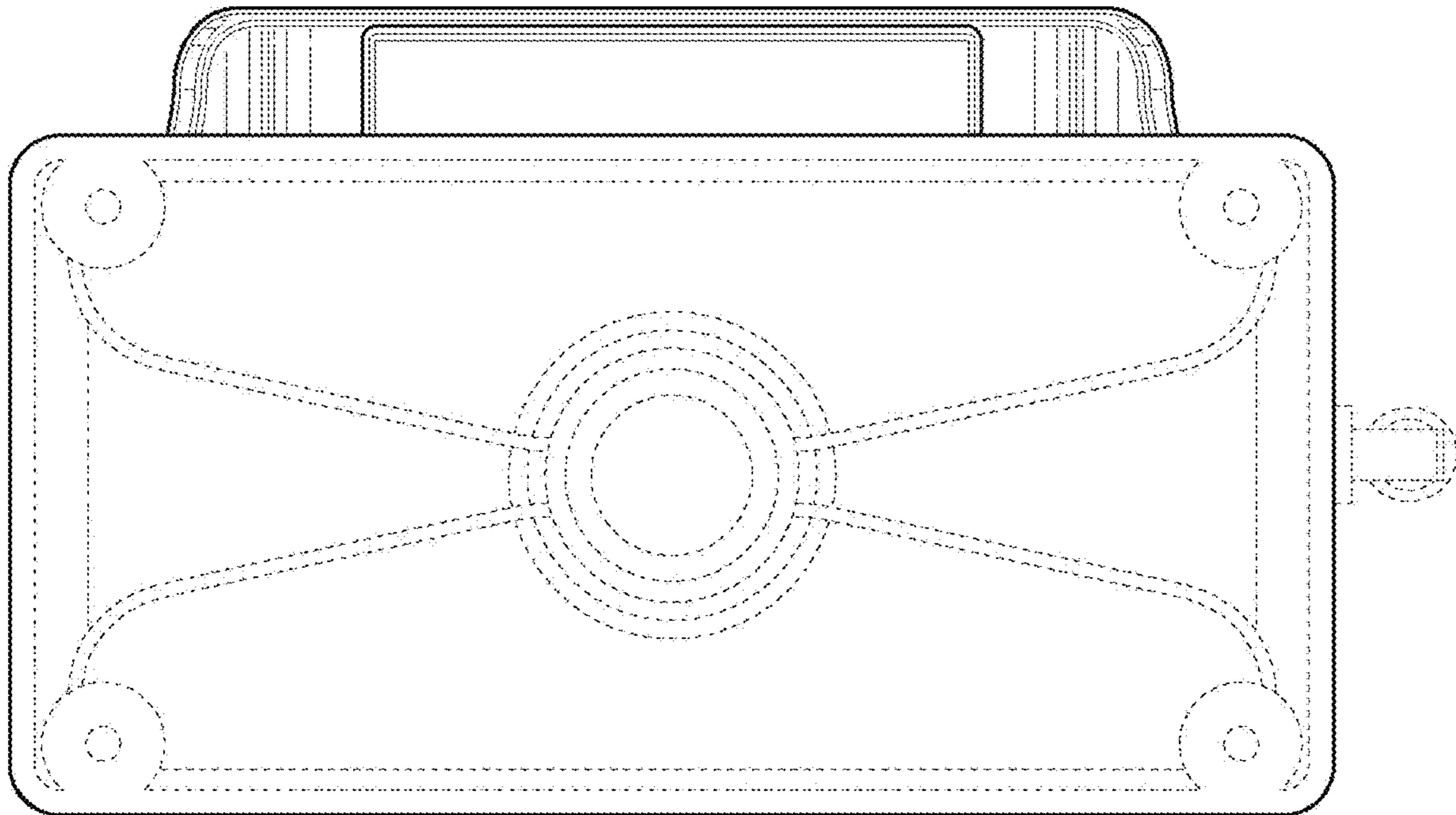


FIG. 19



**FIG. 20**



**FIG. 21**

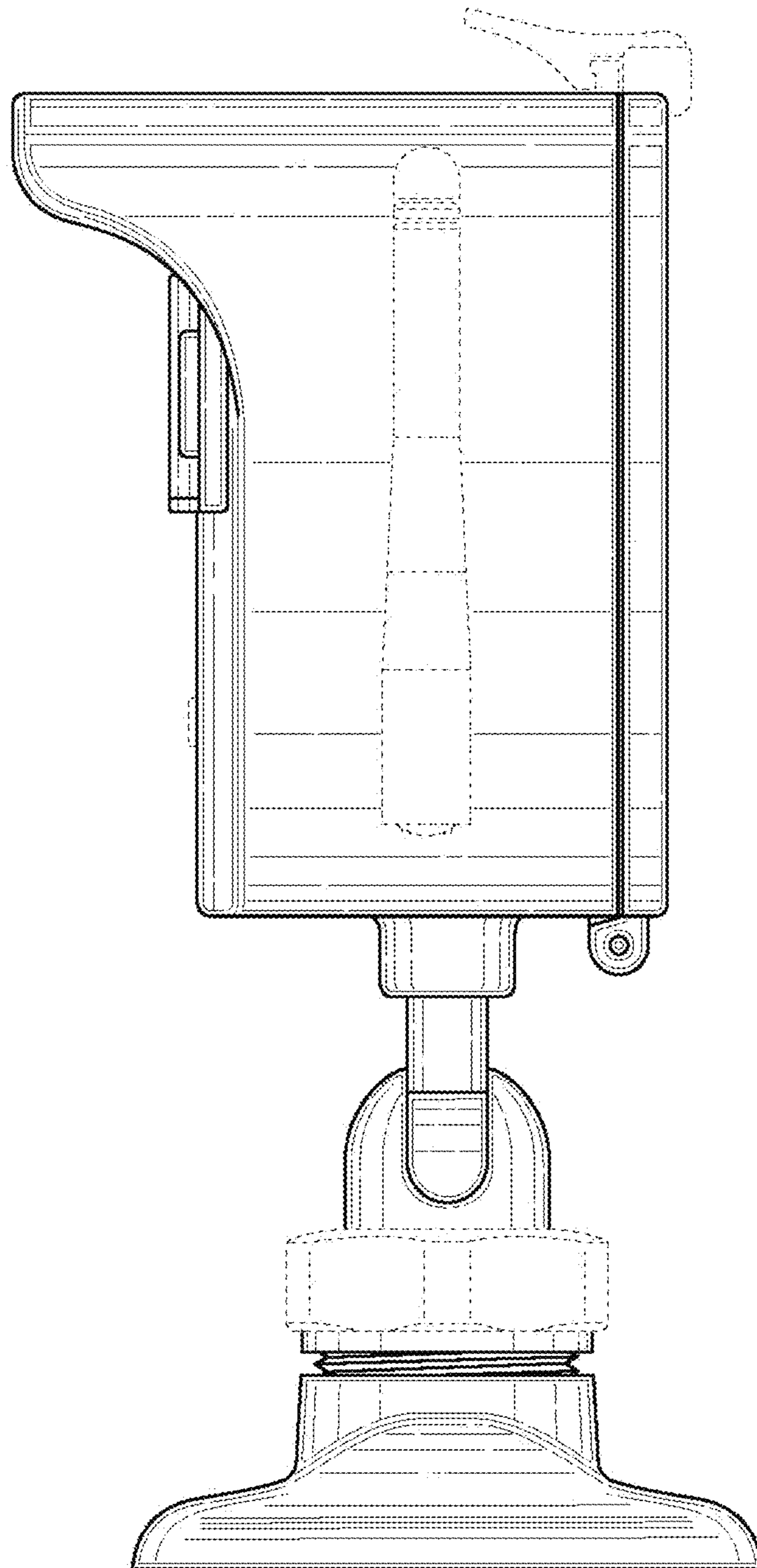
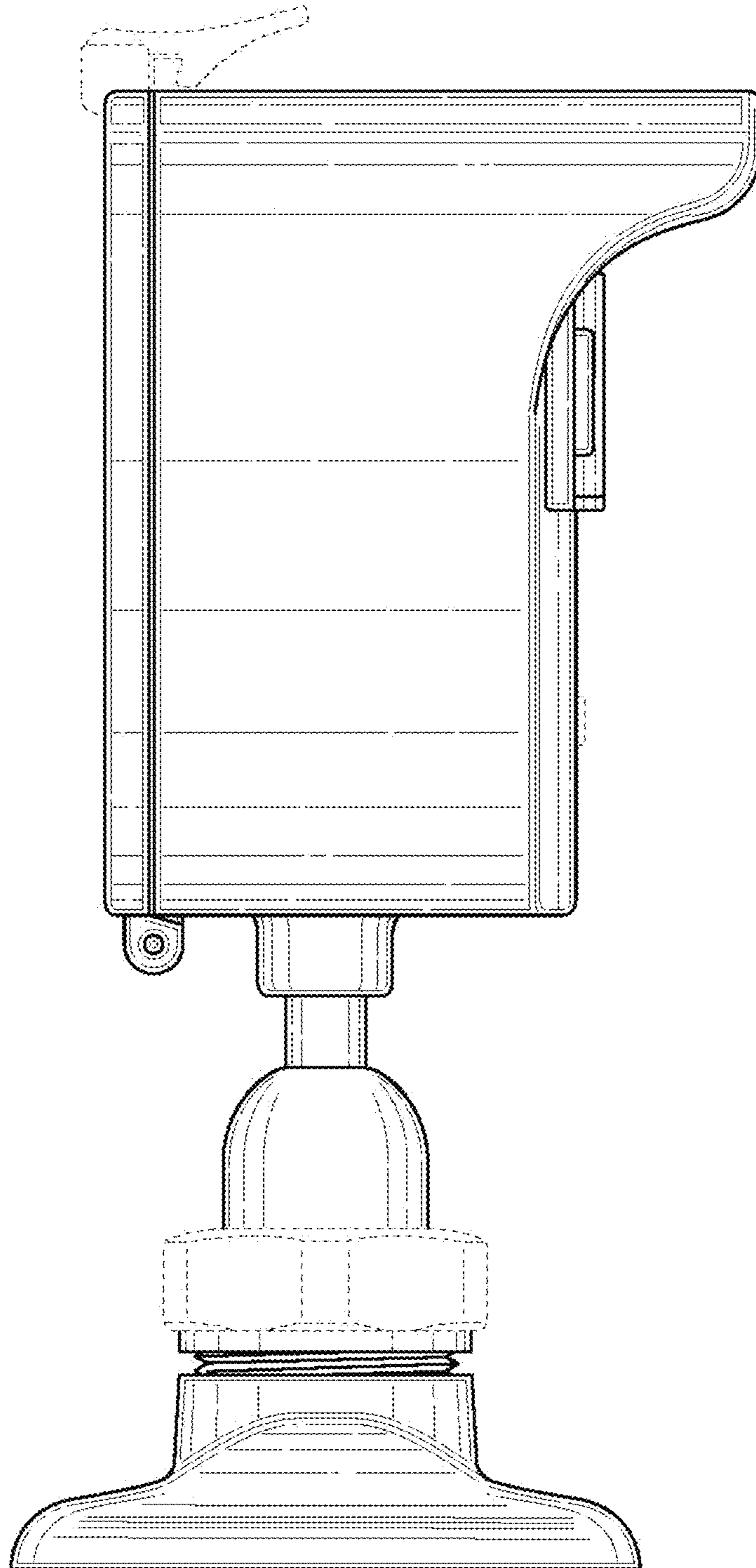
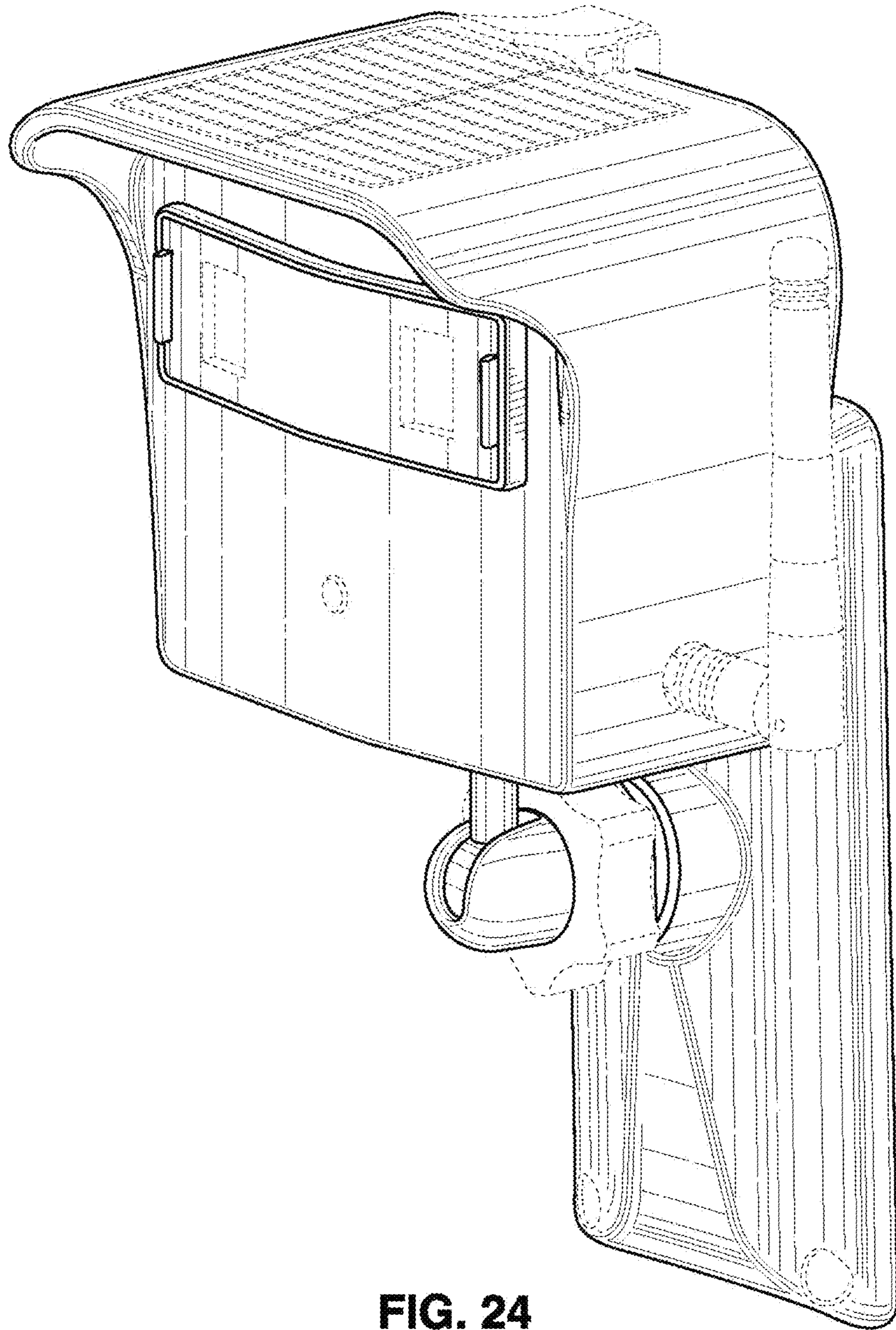


FIG. 22



**FIG. 23**



**FIG. 24**