



US00D965451S

(12) **United States Design Patent**
Zhang

(10) **Patent No.:** **US D965,451 S**
(45) **Date of Patent:** **** Oct. 4, 2022**

(54) **RANGEFINDER**

(71) Applicant: **WuHan**
MeiBangPuTeDianZiShangWu Co.,
Ltd., Hubei (CN)

(72) Inventor: **XinBing Zhang, Hubei (CN)**

(73) Assignee: **WuHan**
MeiBangPuTeDianZiShangWu Co.,
Ltd., Hubei (CN)

(**) Term: **15 Years**

(21) Appl. No.: **29/797,605**

(22) Filed: **Jul. 1, 2021**

(51) **LOC (13) Cl.** **10-04**

(52) **U.S. Cl.**
USPC **D10/70; D16/132**

(58) **Field of Classification Search**
USPC D10/65, 81, 75, 114, 0.6, 96, 85, 126,
D10/123; D14/507, 125; D16/203, 136,
D16/250, 238, 200, 210, 216, 202, 130,
D16/208; D22/108, 109
CPC F41G 3/06
See application file for complete search history.

(56) **References Cited**

U.S. PATENT DOCUMENTS

- D376,377 S * 12/1996 Palmer D16/132
- D448,315 S * 9/2001 Ito D10/70
- D463,809 S * 10/2002 Lo D16/202
- D525,544 S * 7/2006 Nojima D10/70
- D547,780 S * 7/2007 Meinzer D16/132
- D579,805 S * 11/2008 Chen D10/70
- D611,848 S * 3/2010 Liu D10/70
- D647,159 S * 10/2011 Kobayashi D22/109
- D683,374 S * 5/2013 Yokoi D16/132
- D683,375 S * 5/2013 Yokoi D16/132
- D683,376 S * 5/2013 Yokoi D16/132

- D683,377 S * 5/2013 Yokoi D16/132
- D683,378 S * 5/2013 Yokoi D16/132
- D716,858 S * 11/2014 Kobayashi D16/132
- D723,080 S * 2/2015 Kobayashi D16/132
- D771,170 S * 11/2016 Nikaido D16/132
- D779,349 S * 2/2017 Kobayashi D10/70
- D779,981 S * 2/2017 Kobayashi D10/70
- D823,147 S * 7/2018 Bainter D16/132
- D842,723 S * 3/2019 Nyhart D10/70
- D845,795 S * 4/2019 Kim D10/70
- D850,947 S * 6/2019 Vermillion D10/70
- D852,311 S * 6/2019 Honda D22/109
- D856,828 S * 8/2019 Kim D10/70

(Continued)

FOREIGN PATENT DOCUMENTS

- JP D1125232 * 11/2001
- KR 300615384.0000 * 10/2011

Primary Examiner — George D. Kirschbaum
Assistant Examiner — Antoinette Martine Suiter
(74) *Attorney, Agent, or Firm* — ScienBiziP, P.C.

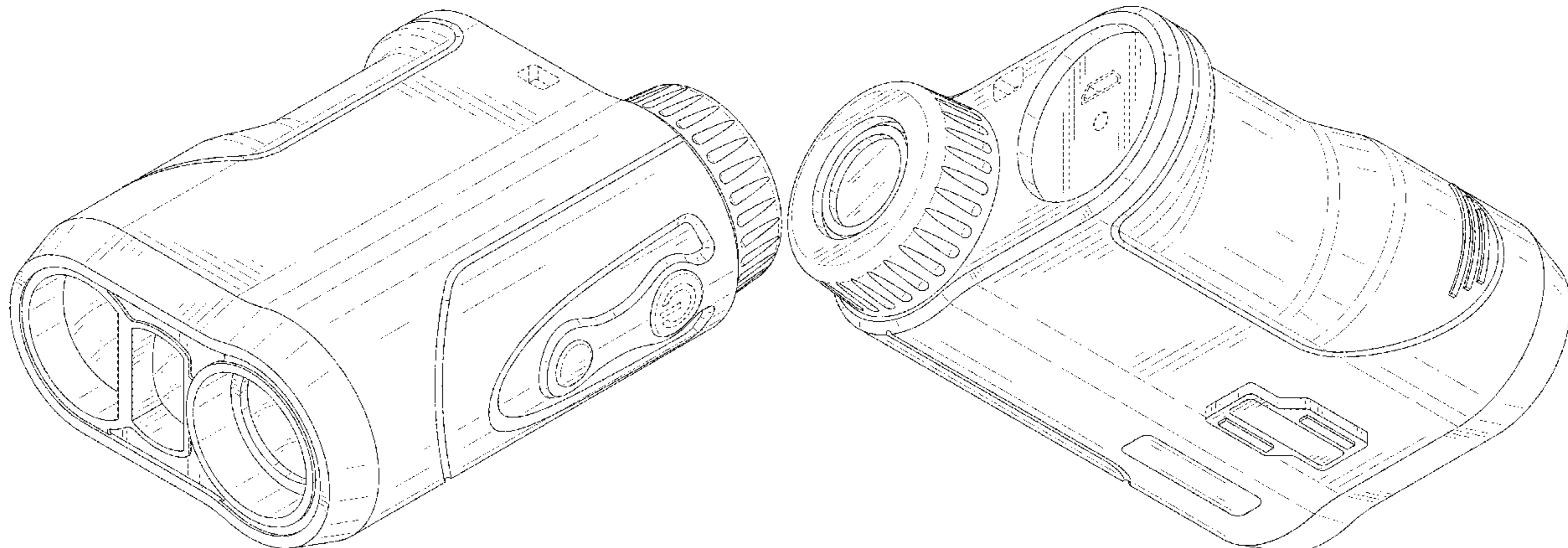
(57) **CLAIM**

The ornamental design for a rangefinder, as shown and described.

DESCRIPTION

FIG. 1 is a front, right, and top perspective view of a rangefinder, showing my design.
FIG. 2 is a rear, left, and bottom perspective view thereof.
FIG. 3 is a front elevation view thereof.
FIG. 4 is a rear elevation view thereof.
FIG. 5 is a left side elevation view thereof.
FIG. 6 is a right side elevation view thereof.
FIG. 7 is a top plan view thereof; and,
FIG. 8 is a bottom plan view thereof.
The broken lines shown in the drawings are included for the purpose of illustrating portions of the rangefinder that form no part of the claimed design.

1 Claim, 8 Drawing Sheets



(56)

References Cited

U.S. PATENT DOCUMENTS

D865,544 S * 11/2019 Yu D10/70
D870,172 S * 12/2019 Ueno D16/132
D870,173 S * 12/2019 Ueno D16/132
D870,174 S * 12/2019 Ueno D16/132
D895,457 S * 9/2020 Zhang D10/70
D895,458 S * 9/2020 Nyhart D10/70
11,054,642 B2 * 7/2021 Chen G02B 27/0101
D944,668 S * 3/2022 Li D10/70
D952,484 S * 5/2022 Gallery D10/70
D953,900 S * 6/2022 Barez D10/70
2021/0141219 A1 * 5/2021 Chen G02B 23/12

* cited by examiner

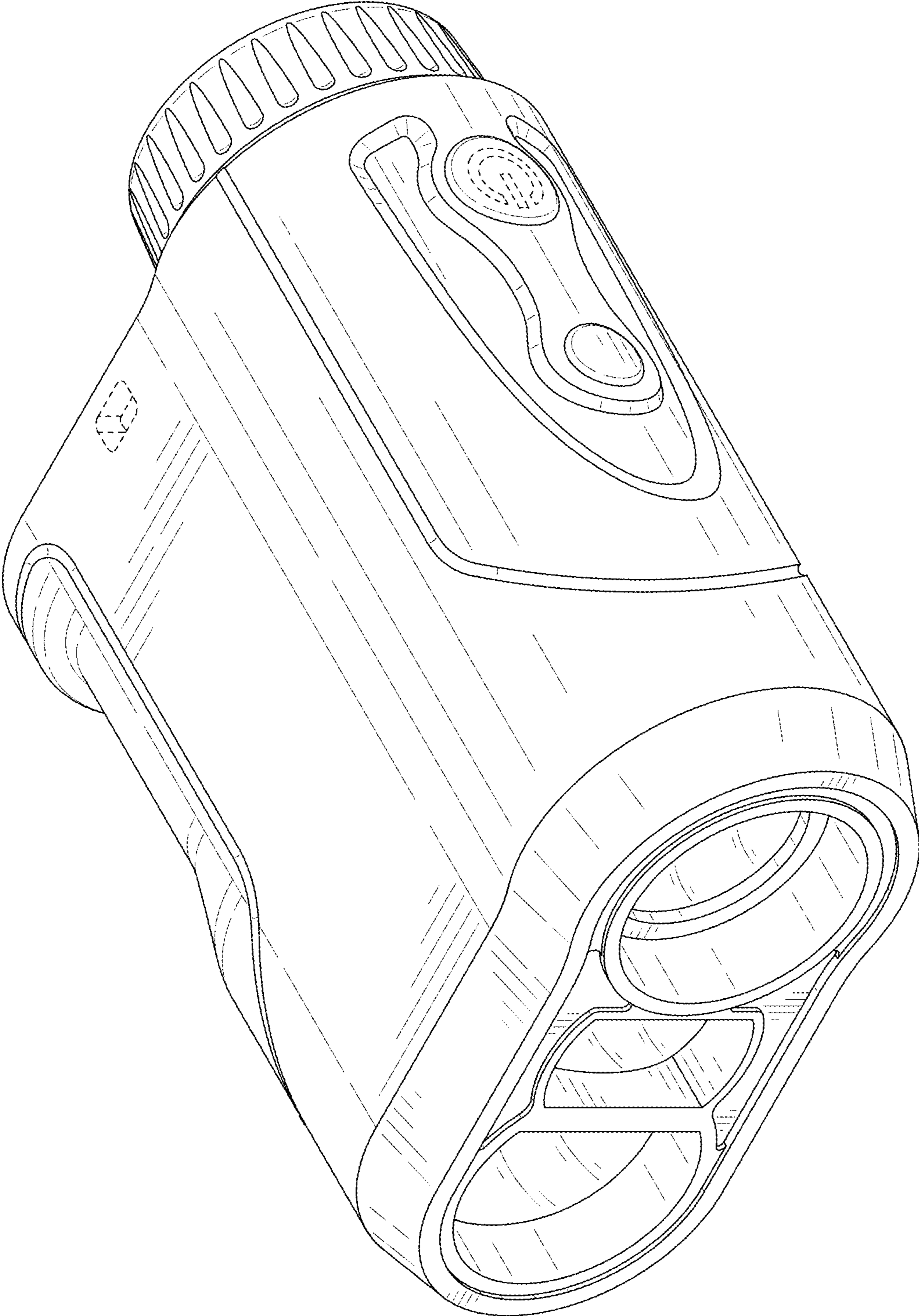


FIG. 1

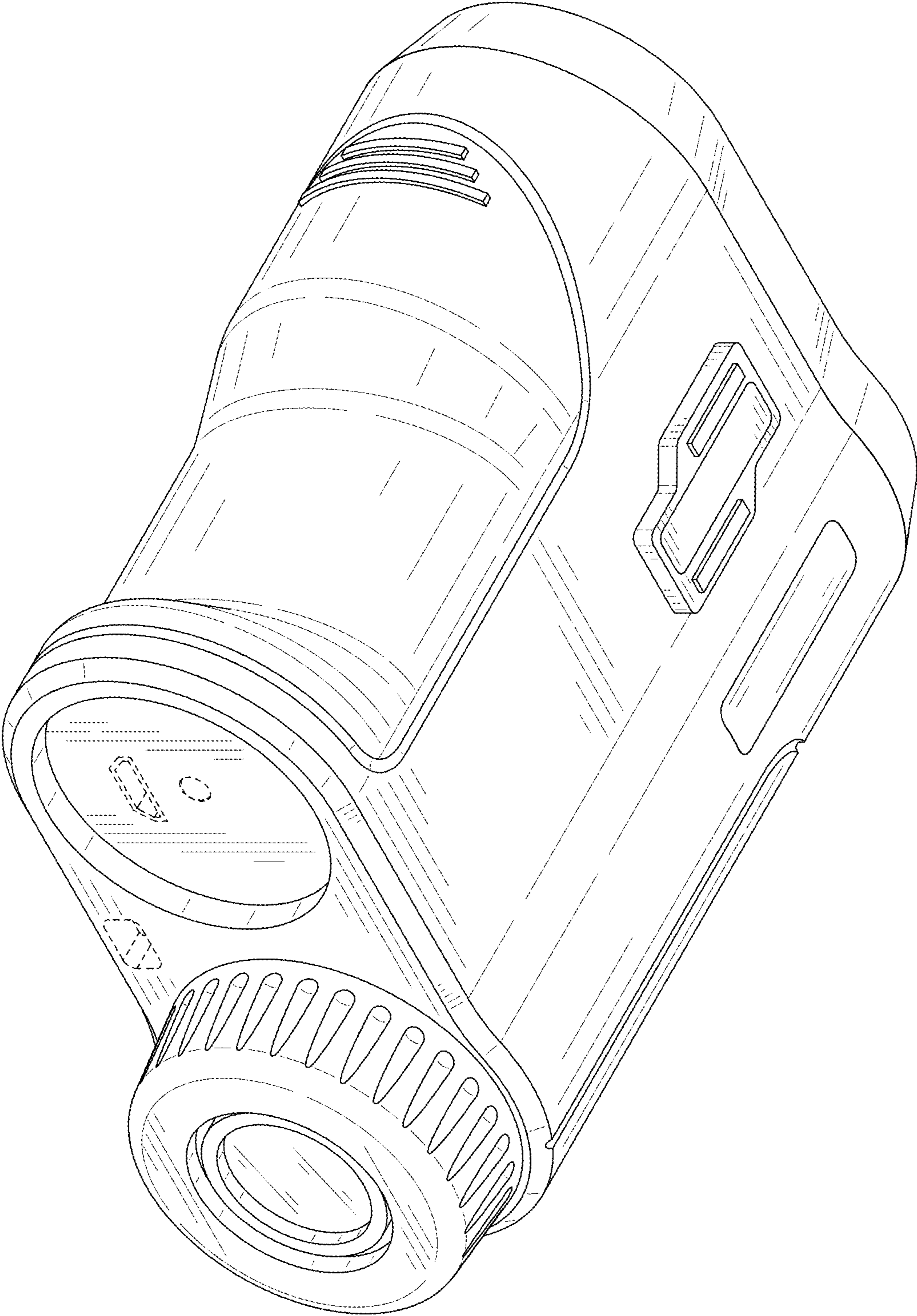


FIG. 2

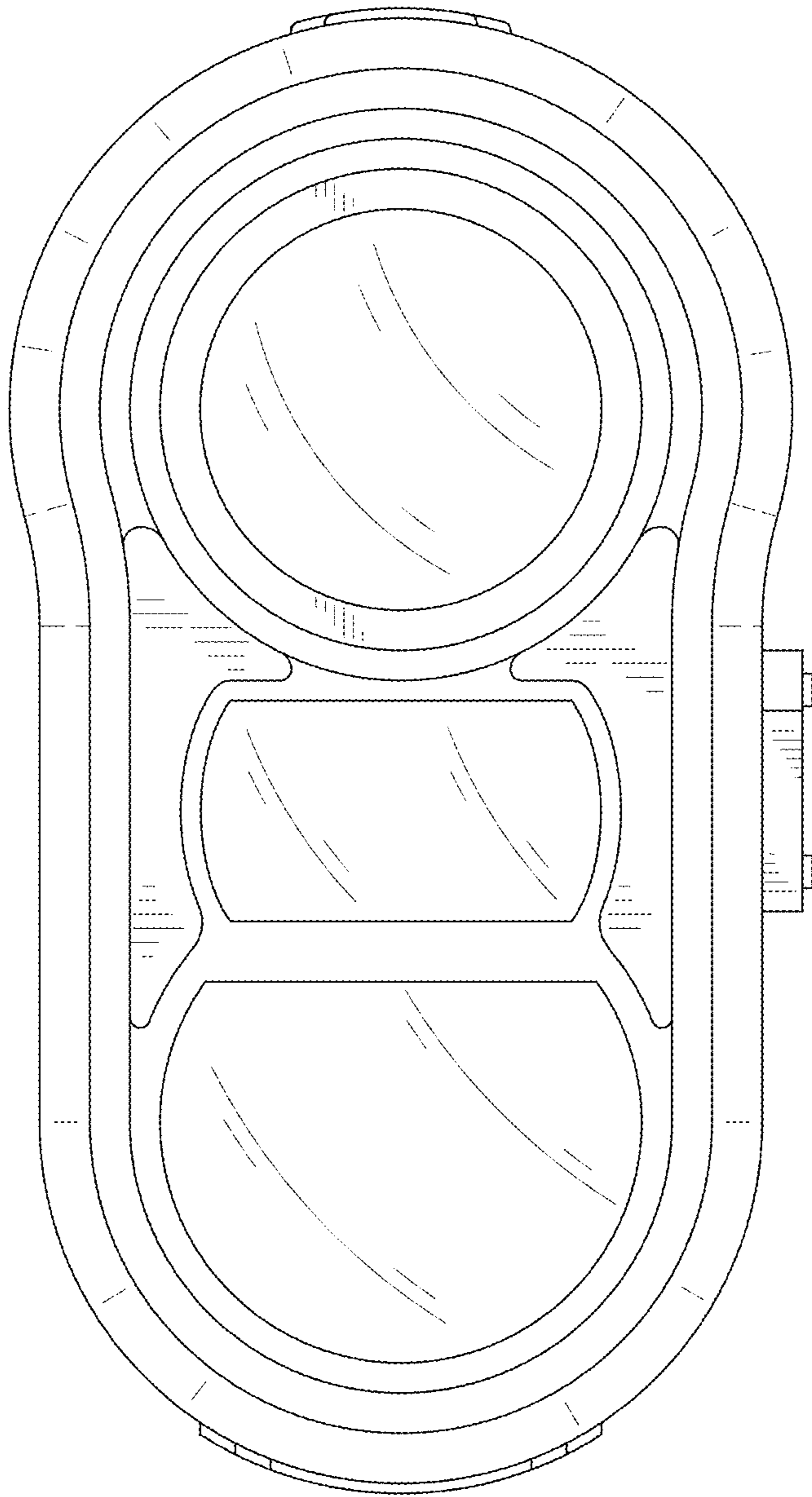


FIG. 3

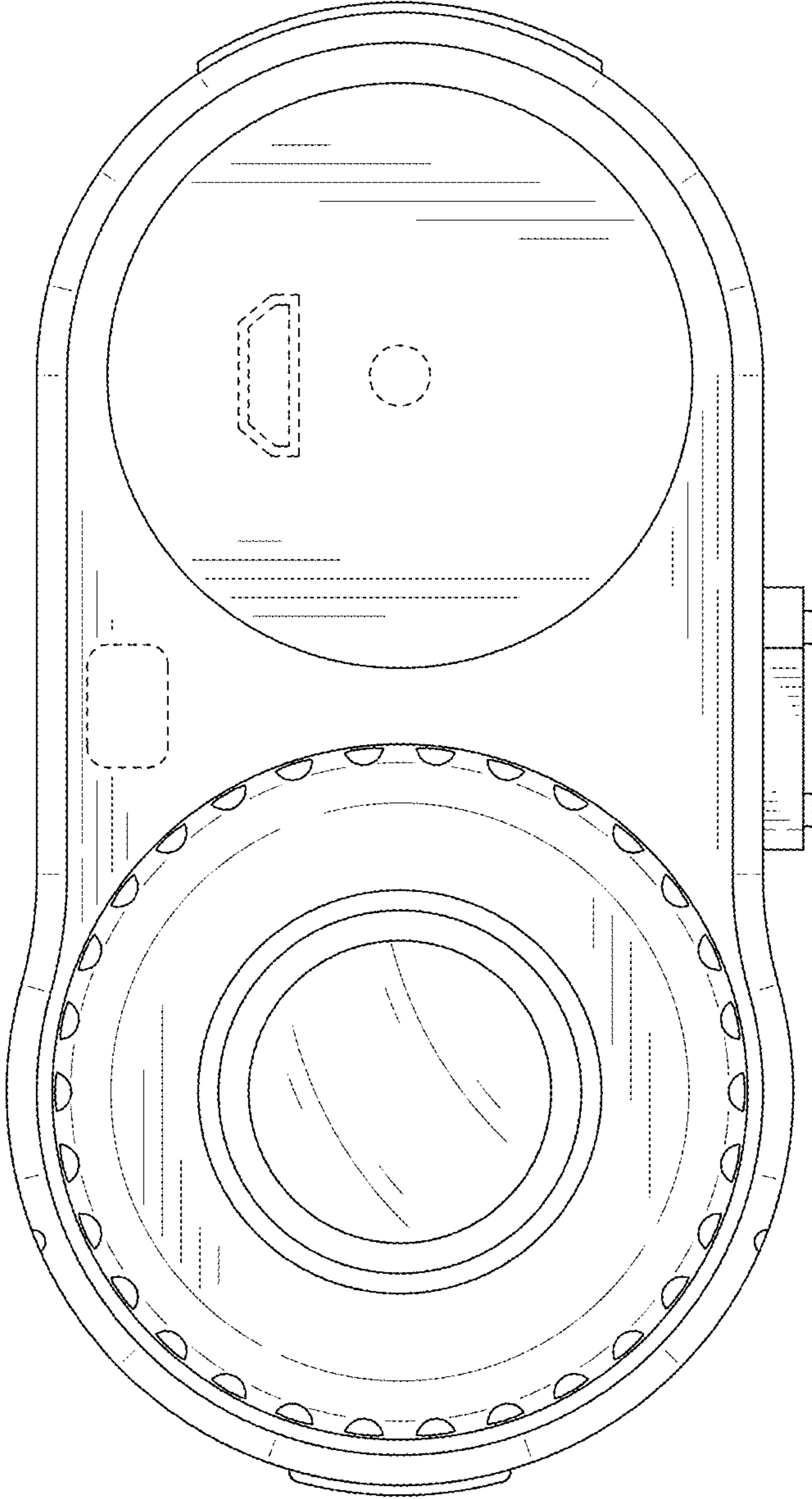


FIG. 4

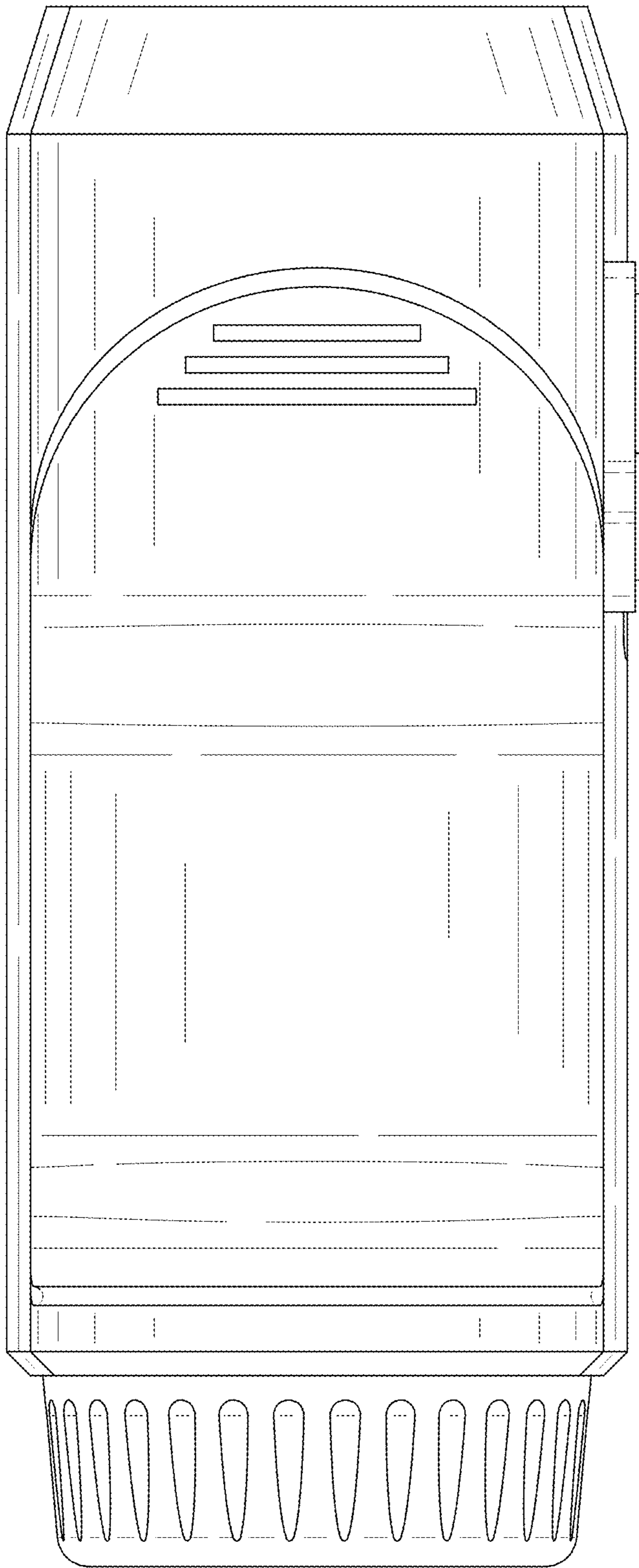


FIG. 5

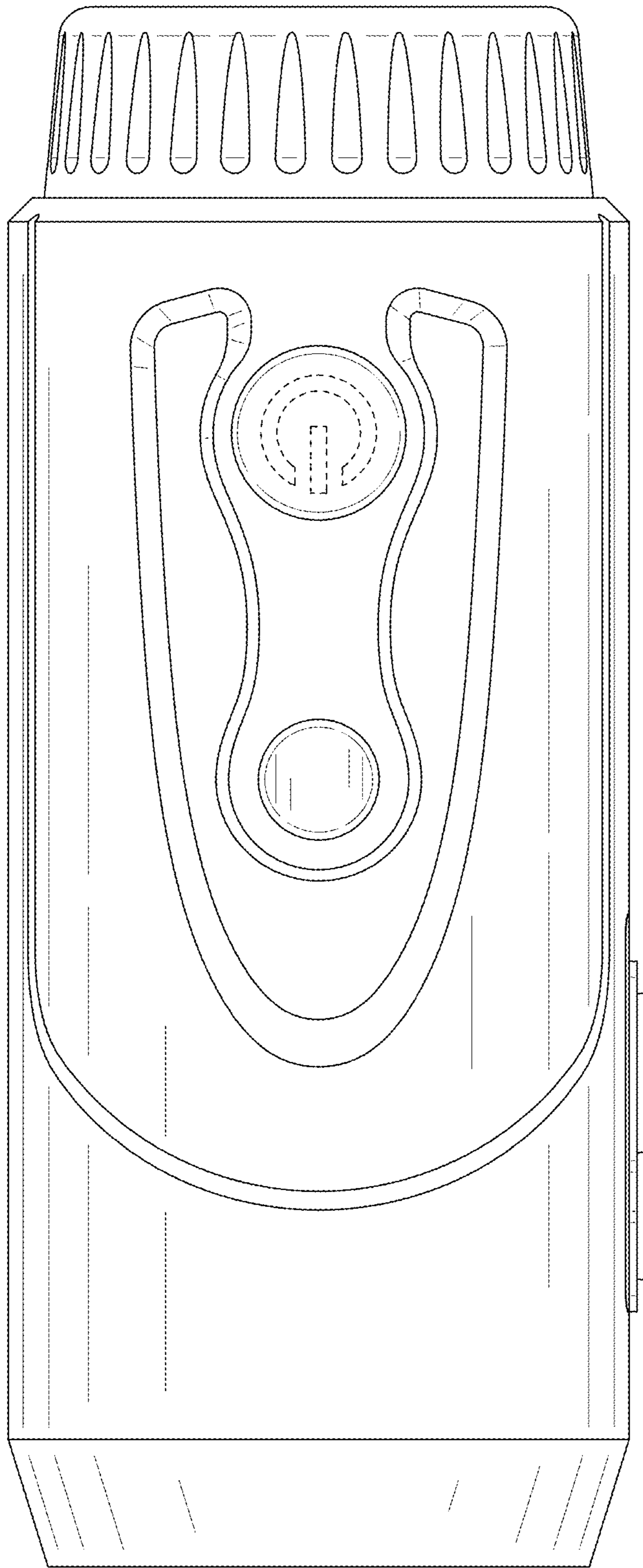


FIG. 6

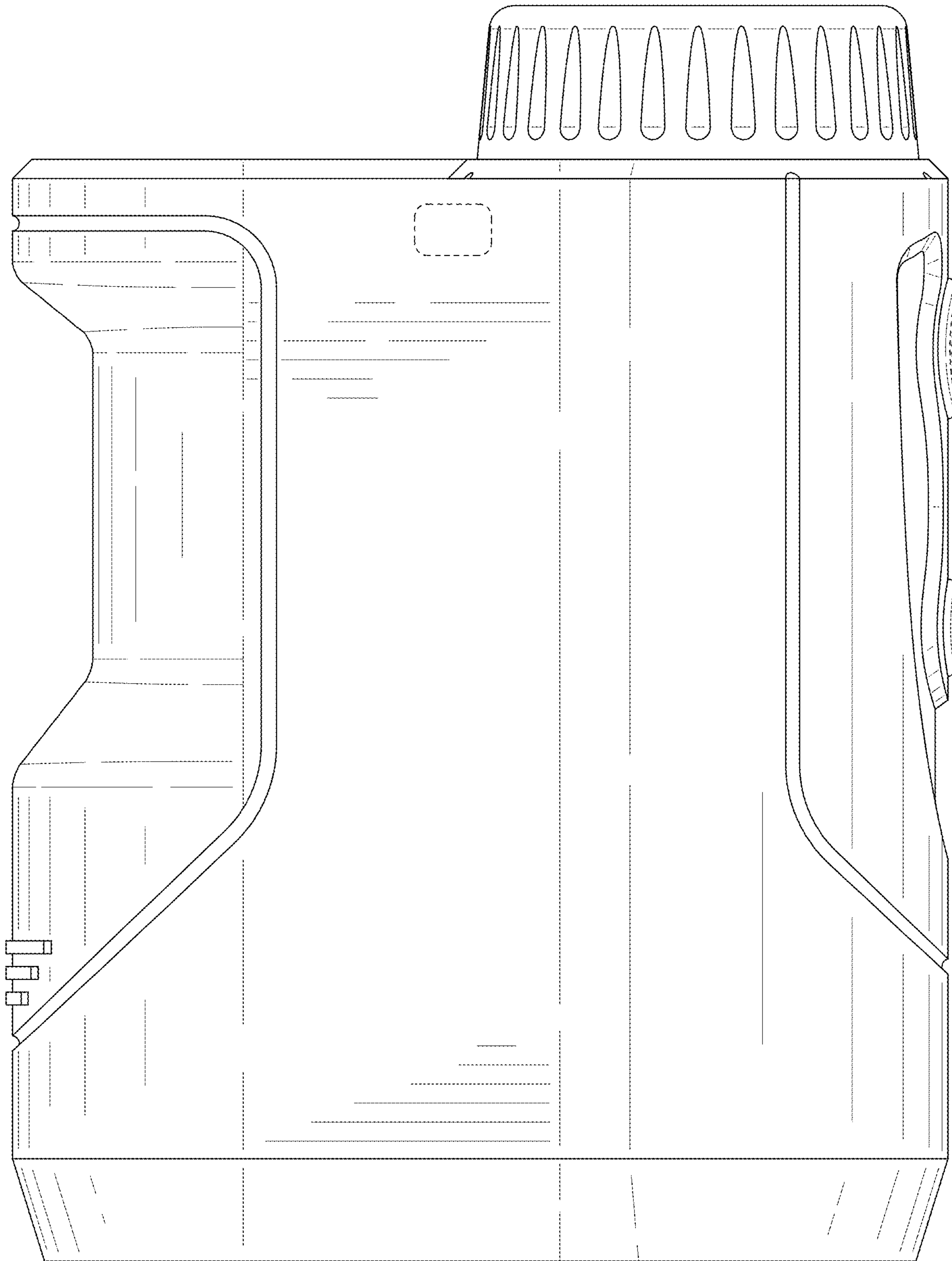


FIG. 7

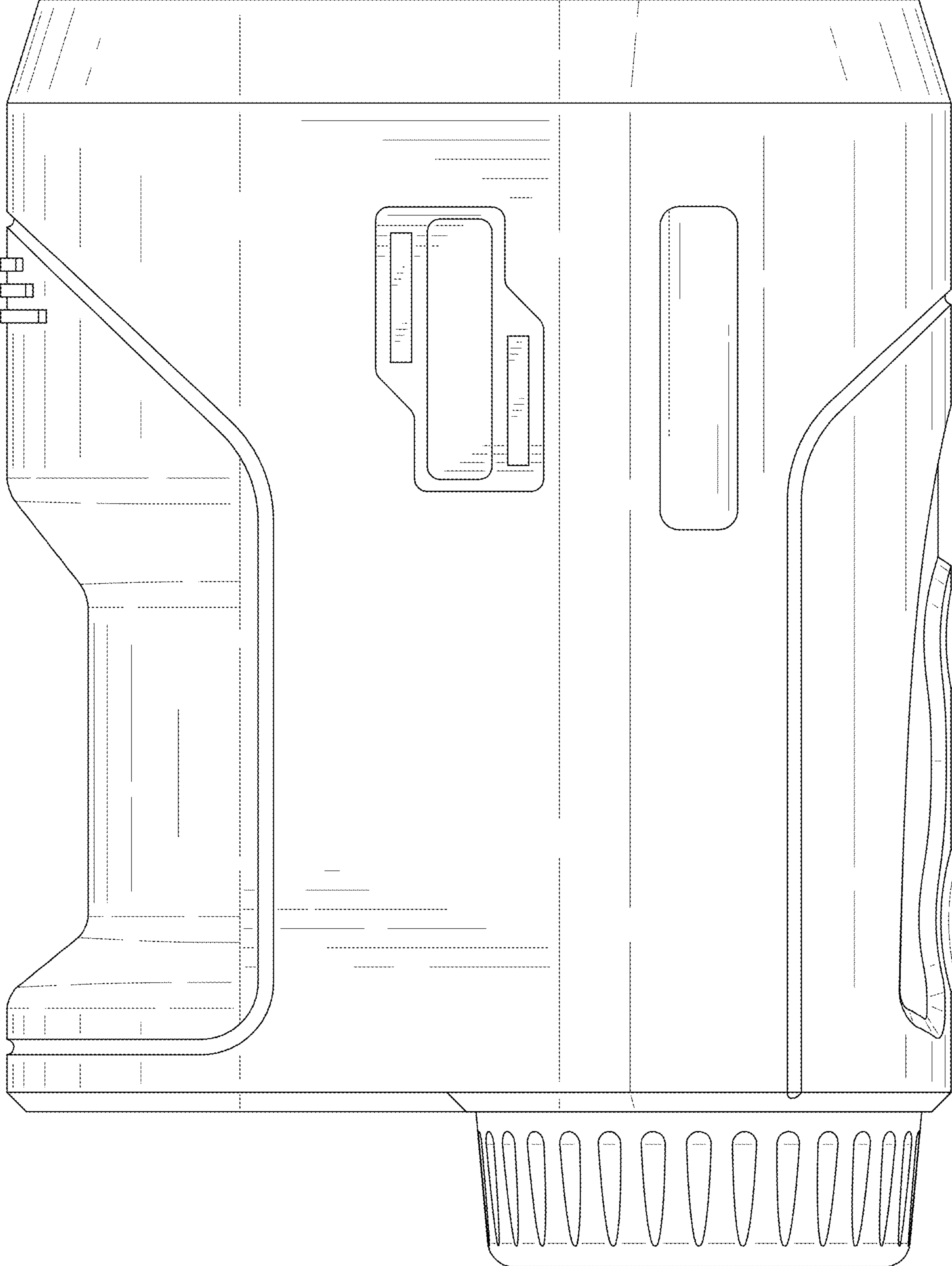


FIG. 8