



US00D965448S

(12) **United States Design Patent**
Wilson et al.

(10) **Patent No.:** **US D965,448 S**

(45) **Date of Patent:** **** *Oct. 4, 2022**

(54) **TEST BOX**

(71) Applicant: **Communications Test Design, Inc.**,
West Chester, PA (US)

(72) Inventors: **Christopher Wilson**, Newark, DE
(US); **John Goldman**, Elverson, PA
(US)

(73) Assignee: **Communications Test Design, Inc.**,
West Chester, PA (US)

(*) Notice: This patent is subject to a terminal disclaimer.

(**) Term: **15 Years**

(21) Appl. No.: **29/748,169**

(22) Filed: **Aug. 27, 2020**

(51) **LOC (13) Cl.** **10-07**

(52) **U.S. Cl.**
USPC **D10/46**

(58) **Field of Classification Search**
USPC D10/46, 49, 75, 103; D13/162.1;
D14/160, 161, 168, 313, 496
CPC G01R 29/0835
See application file for complete search history.

(56) **References Cited**

U.S. PATENT DOCUMENTS

D161,636 S *	1/1951	Manning	D10/46
D284,279 S *	6/1986	Ishii	D14/161
D314,919 S *	2/1991	Villar	D10/46
D322,439 S *	12/1991	Wilson	D10/46
5,323,298 A *	6/1994	Shatas	H05K 9/0062 174/385
D355,616 S *	2/1995	Gregg, III	H05K 9/0062 D10/46
D377,319 S *	1/1997	Amano	D10/76
D427,533 S *	7/2000	Cowan	D10/75

D429,470 S *	8/2000	Hackenbroich	D10/46
D450,000 S *	11/2001	Van	D10/46
D520,385 S *	5/2006	Abe	D10/46
7,323,884 B2 *	1/2008	Stojcevic	G01R 29/105 324/627
D574,737 S *	8/2008	Shimada	G01R 29/105 D10/46
7,839,136 B1 *	11/2010	John	G01R 29/0835 324/96
D640,577 S *	6/2011	Libman	H04N 17/004 D10/49
8,418,219 B1 *	4/2013	Parsons	H04N 17/004 348/181
D771,509 S *	11/2016	Besett	G01R 29/0835 D10/75
10,188,207 B2 *	1/2019	Parsons	H04M 1/24

(Continued)

Primary Examiner — George D. Kirschbaum

Assistant Examiner — Lillian Windham

(74) *Attorney, Agent, or Firm* — Duane Morris LLP

(57) **CLAIM**

We claim the ornamental design for a test box, as shown and described.

DESCRIPTION

FIG. 1 is an exploded perspective view of a test box showing our new design.

FIG. 2 is a front elevational view of the test box.

FIG. 3 is a rear elevational view of the test box.

FIG. 4 is an exploded right side elevational view of the test box.

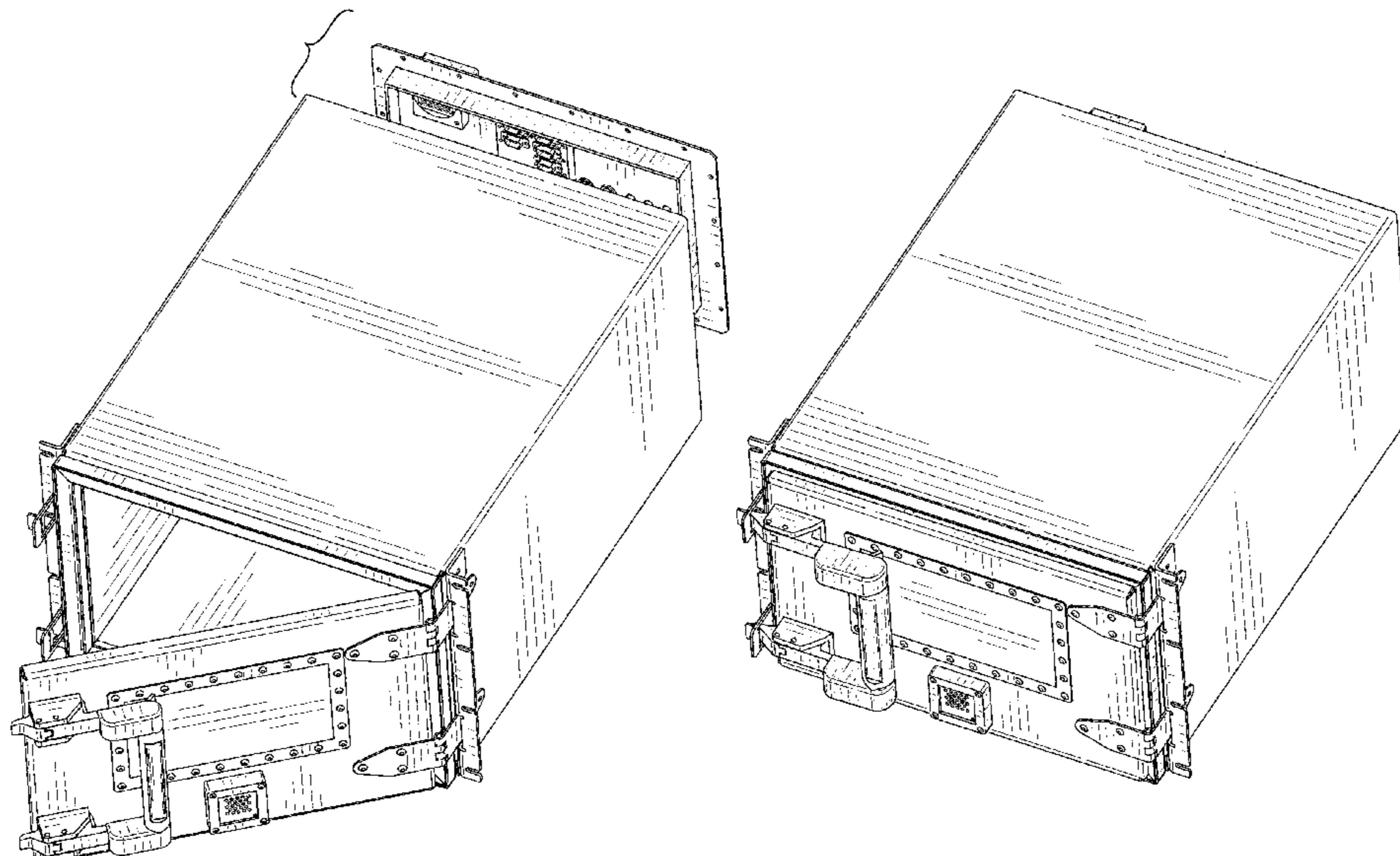
FIG. 5 is an exploded left side elevational view of the test box.

FIG. 6 is an exploded top plan view of the test box.

FIG. 7 is an exploded bottom plan view of the test box; and, FIG. 8 is a perspective view of the test box with the front door in an alternate position.

The broken lines in the drawings show portions of the test box that form no part of the claimed design.

1 Claim, 7 Drawing Sheets



(56)

References Cited

U.S. PATENT DOCUMENTS

D842,144 S * 3/2019 Blier H04M 1/24
D10/75
D860,009 S * 9/2019 Furukawa H04M 1/24
D10/49
D861,517 S * 10/2019 Apenburg D10/75
10,483,636 B1 * 11/2019 Koto H04B 17/20
10,520,532 B2 * 12/2019 Lee G01R 29/26
D878,222 S * 3/2020 Furukawa G01R 29/26
D10/49
10,897,840 B2 * 1/2021 Yang H05K 5/0052
D934,091 S * 10/2021 Wang H05K 5/0052
D10/46
D934,704 S * 11/2021 Reiner H05K 5/0052
D10/49
2013/0002235 A1 * 1/2013 He G01R 1/04
324/121 R
2016/0187876 A1 * 6/2016 Diperna H04B 17/29
702/81

* cited by examiner

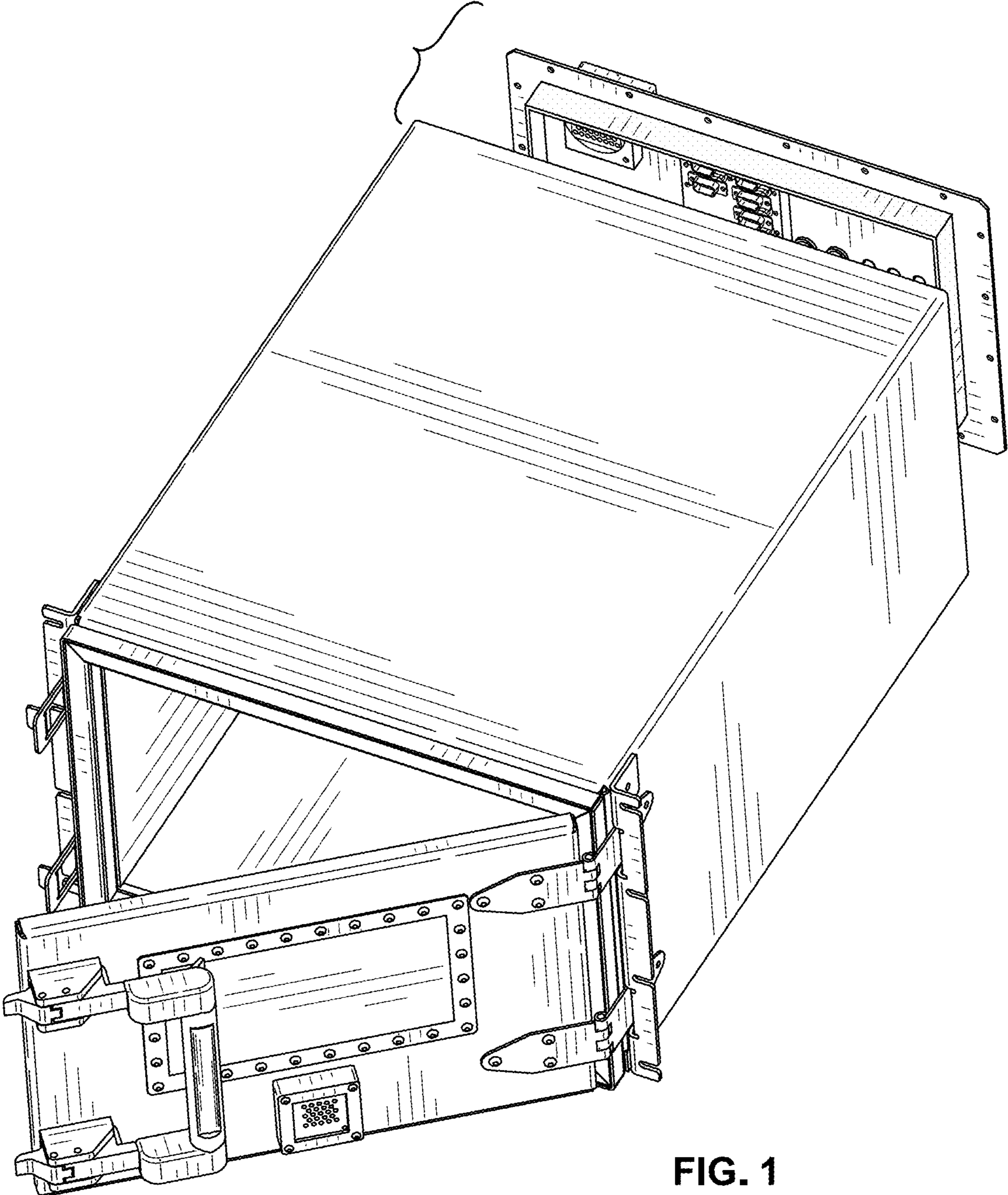


FIG. 1

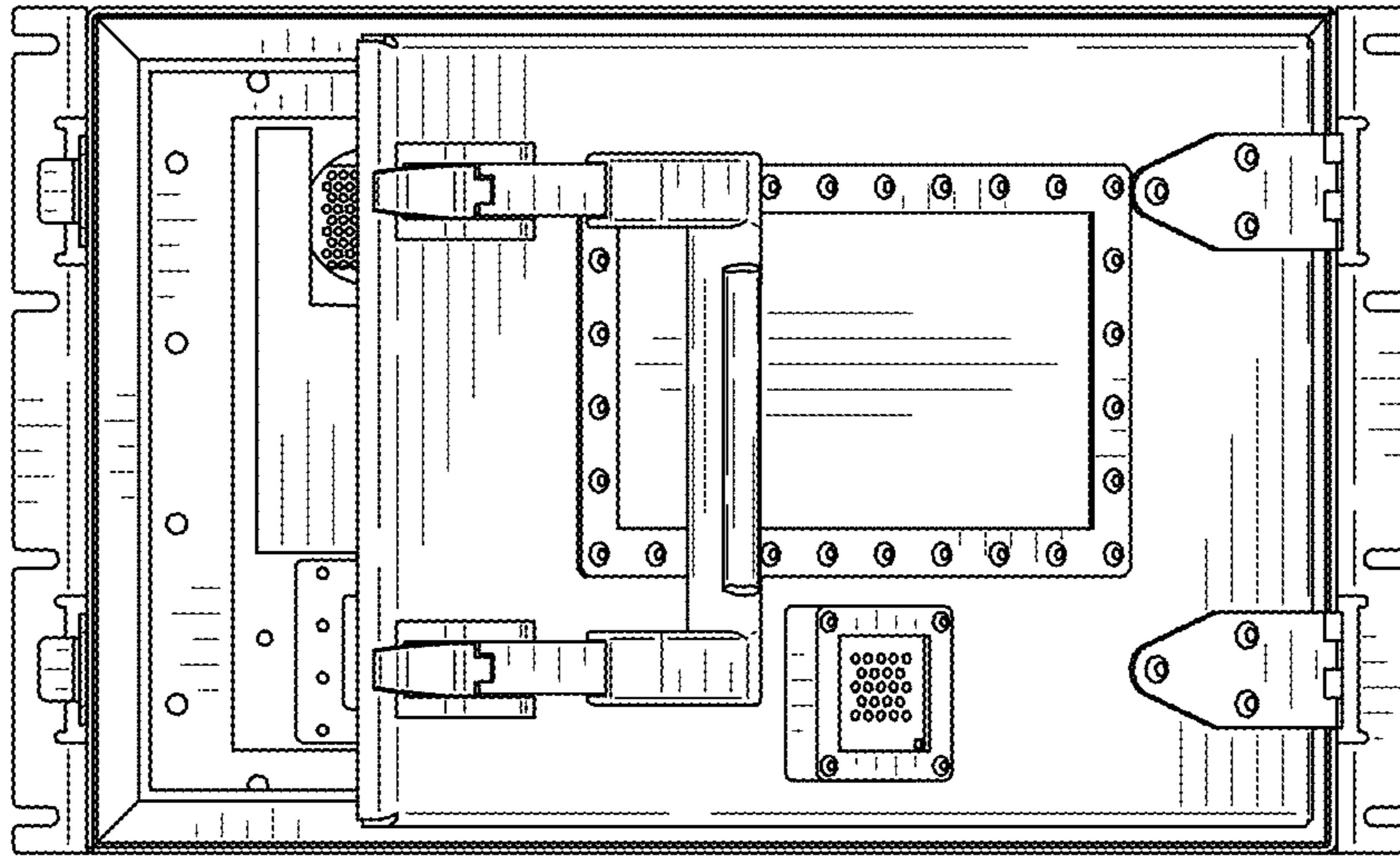


FIG. 2

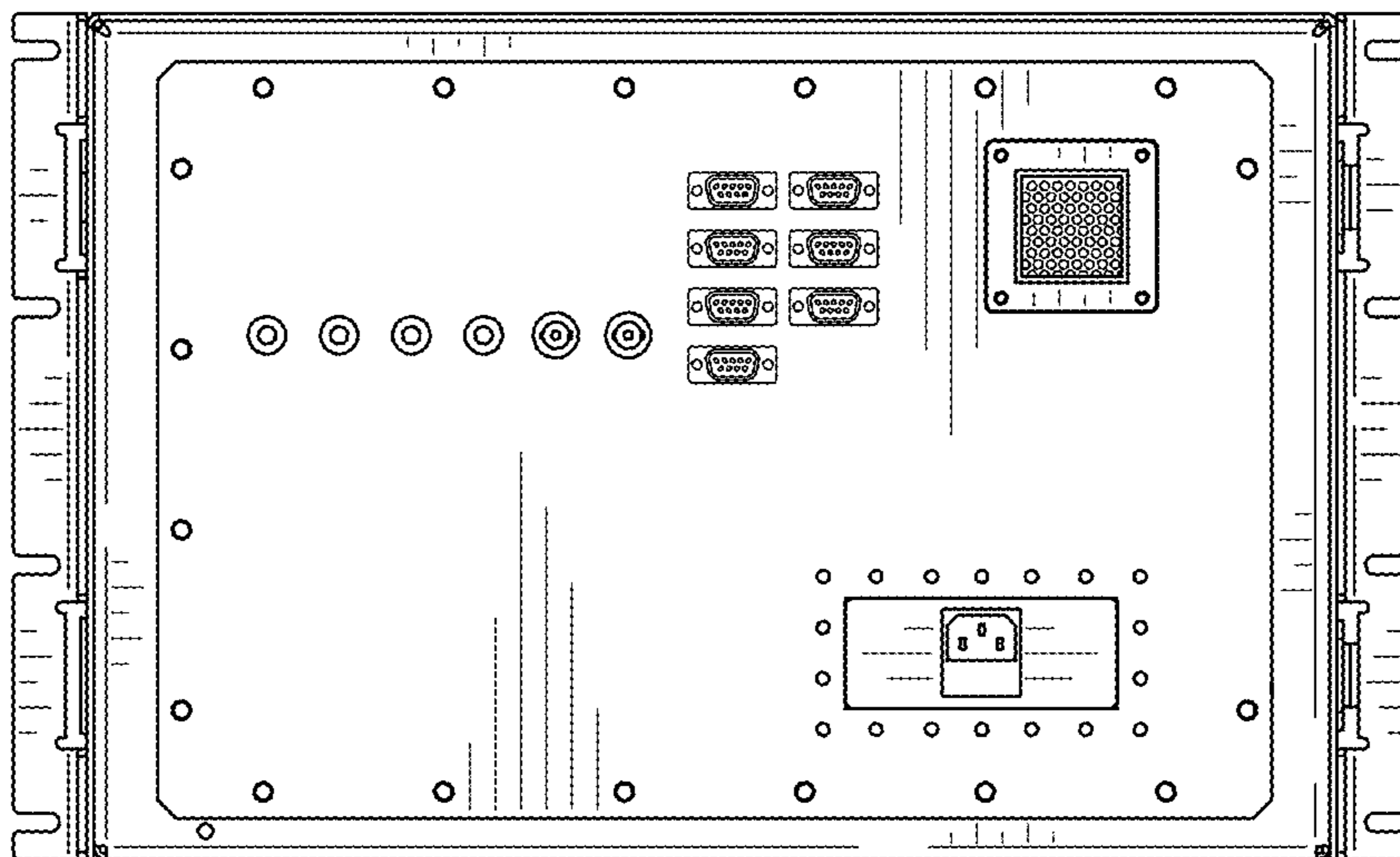


FIG. 3

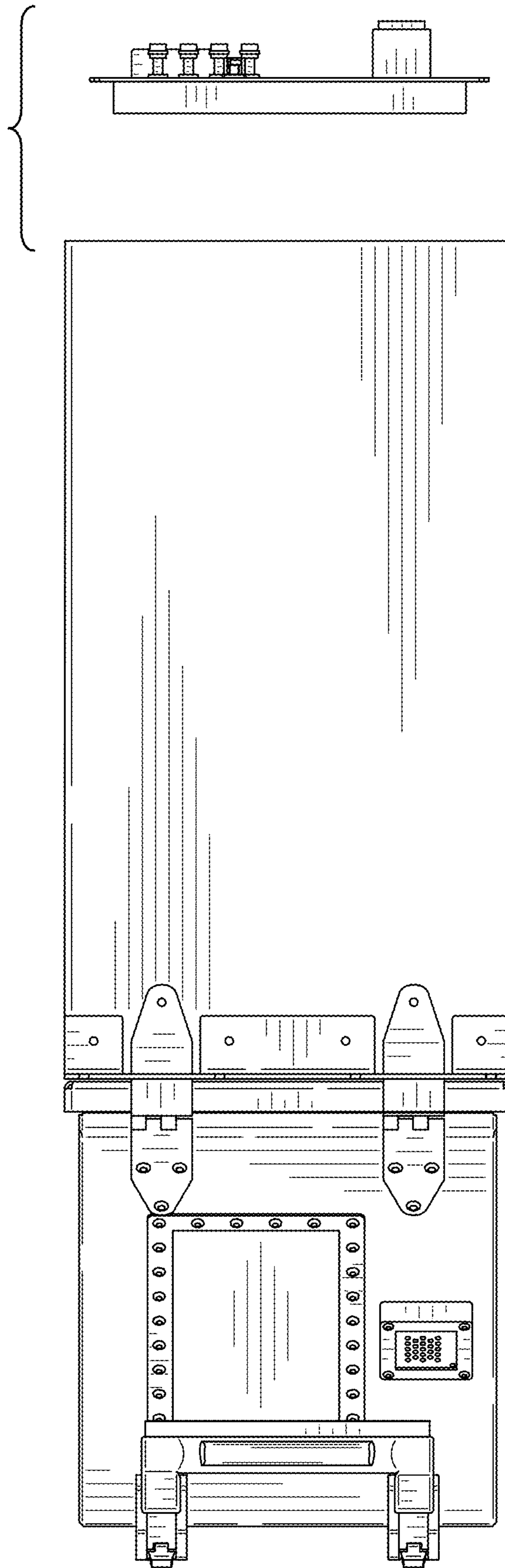


FIG. 4

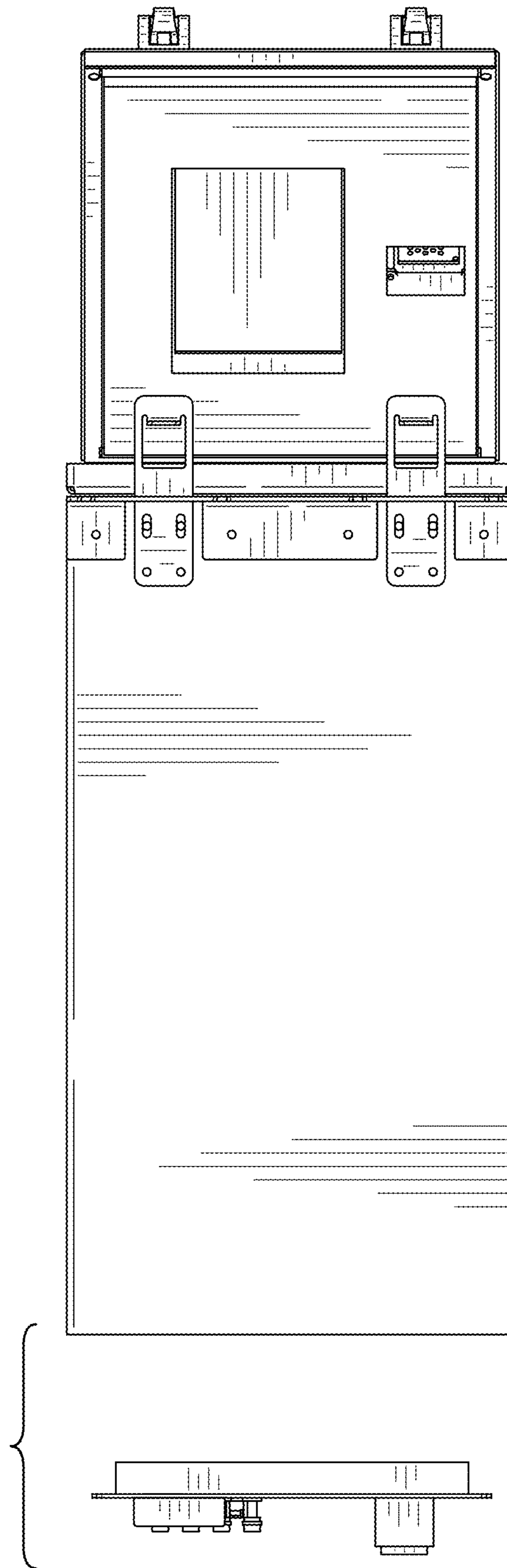


FIG. 5

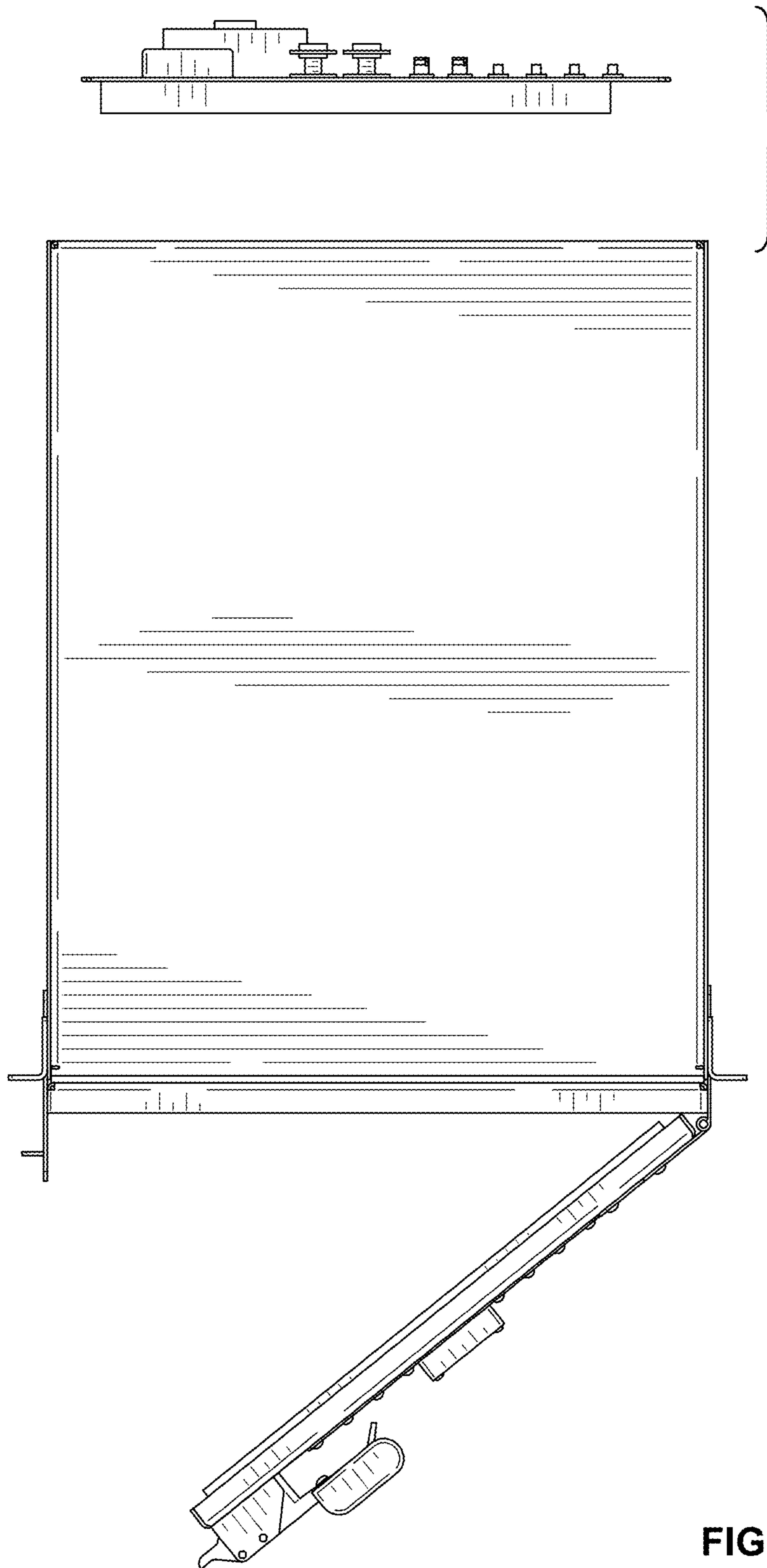


FIG. 6

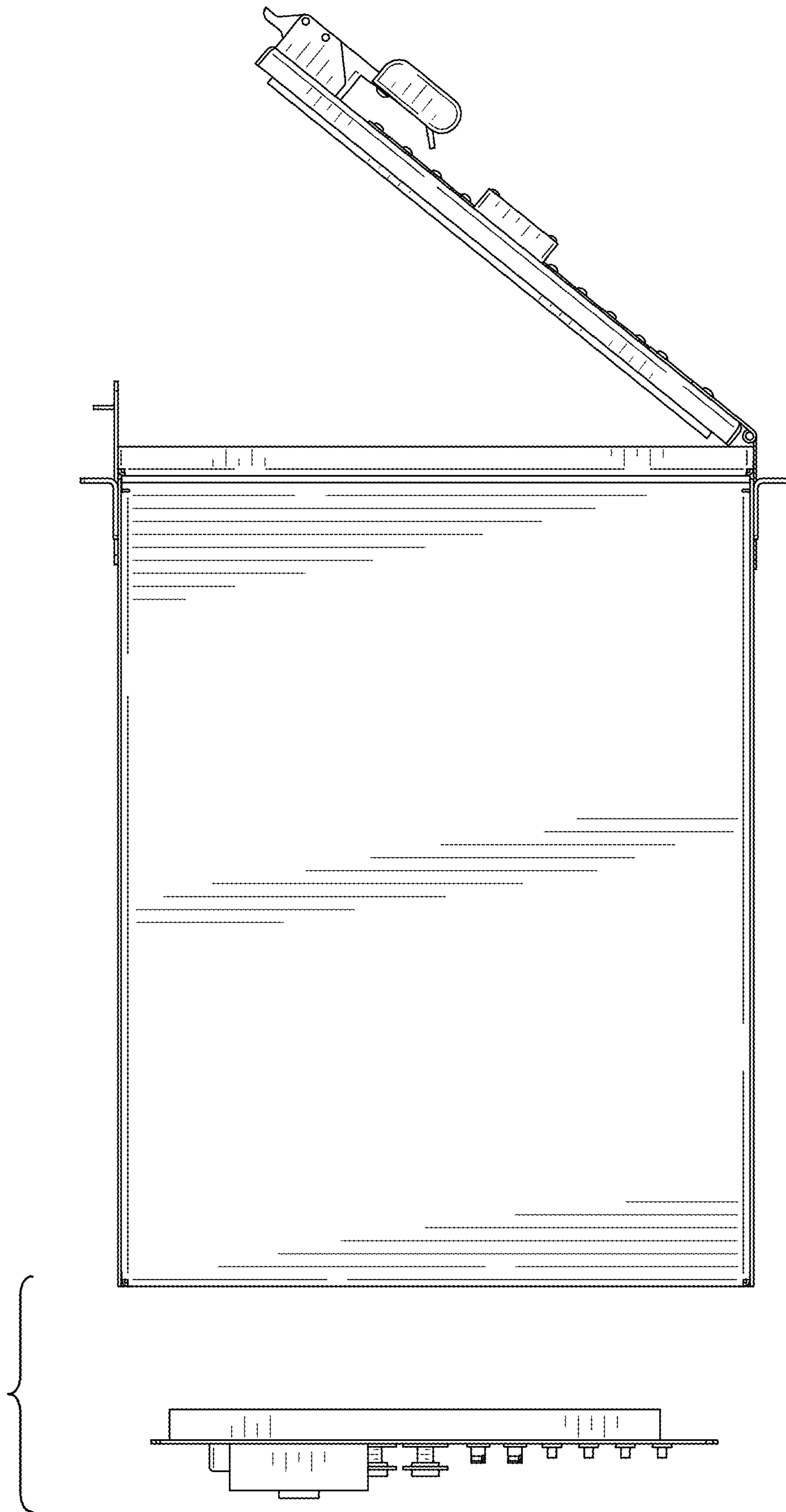


FIG. 7

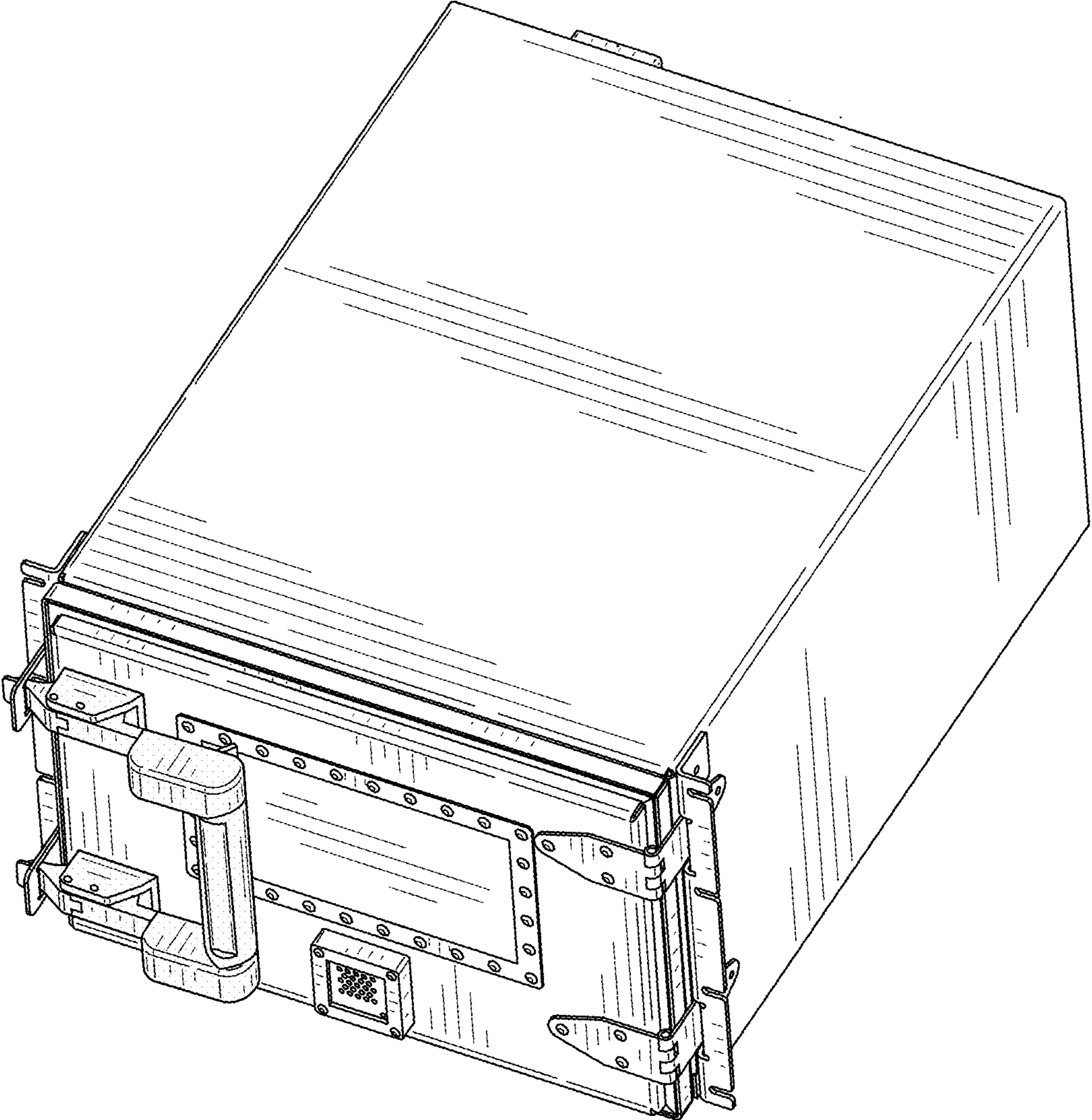


FIG. 8