



US00D965447S

(12) **United States Design Patent**
Dabush

(10) **Patent No.:** **US D965,447 S**

(45) **Date of Patent:** **** Oct. 4, 2022**

(54) **TRACKING PUCK WITH BASE PLATE**

(71) Applicant: **V-Armed Inc.**, New York, NY (US)

(72) Inventor: **Elad Dabush**, Herzliya (IL)

(73) Assignee: **V-Armed Inc**, New York, NY (US)

(**) Term: **15 Years**

(21) Appl. No.: **29/731,172**

(22) Filed: **Apr. 13, 2020**

(51) **LOC (13) Cl.** **10-07**

(52) **U.S. Cl.**
USPC **D10/46**

(58) **Field of Classification Search**
USPC D10/46, 60, 70, 104.1, 104.2, 106.6;
D13/184; D14/192, 344
CPC G06F 3/011; G05B 2219/40131; H04L
67/38; A63F 13/12
See application file for complete search history.

(56) **References Cited**

U.S. PATENT DOCUMENTS

- D376,329 S * 12/1996 Youabian D10/104.1
- D383,689 S * 9/1997 Issa D10/104.1
- D405,192 S * 2/1999 Smith D24/227
- D424,461 S * 5/2000 Taylor D10/104.1
- D464,031 S * 10/2002 Gillingham D13/184
- D527,296 S * 8/2006 Concari D10/106.1
- D549,116 S * 8/2007 Rhine D10/65
- D549,119 S * 8/2007 Becker D10/104.1
- D655,215 S * 3/2012 Daniel D10/104.2
- D660,584 S * 5/2012 Cross D3/216
- D749,004 S * 2/2016 Sirius-EI D10/97
- D752,457 S * 3/2016 So D10/70
- D778,746 S * 2/2017 Renganathan D10/70
- D799,353 S * 10/2017 Qu D10/104.2
- D823,841 S * 7/2018 Marini D14/238
- D832,837 S * 11/2018 Pennington, Jr. D14/348
- D838,203 S * 1/2019 Corley D10/106.9
- D853,380 S * 7/2019 Ranade D14/344

- 10,376,020 B1 * 8/2019 Doyle A01K 27/001
- D858,321 S * 9/2019 Recker D10/70
- D860,209 S * 9/2019 Collins D14/434
- D864,955 S * 10/2019 Ranade D14/344
- D867,174 S * 11/2019 Read D10/60
- D874,414 S * 2/2020 Adams D13/184
- D875,734 S * 2/2020 Collins D14/434
- D879,774 S * 3/2020 Pennington, Jr. D14/348
- D880,438 S * 4/2020 Adams D13/184
- D884,651 S * 5/2020 Adams D13/152

(Continued)

OTHER PUBLICATIONS

“OptiTrack Shows Smaller Active Puck Mini for Mocap Body Tracking”, published in studiodaily.com, announced Aug. 14, 2018 [online], site visited Dec. 29, 2021. Internet URL: <<https://www.studiodaily.com/2018/08/optitrack-shows-smaller-active-puck-mini-mocap-body-tracking/>>. (Year: 2018).*

(Continued)

Primary Examiner — George D. Kirschbaum
Assistant Examiner — Lillian Windham
(74) *Attorney, Agent, or Firm* — Gearhart Law, LLC;
David Postolski, Esq.

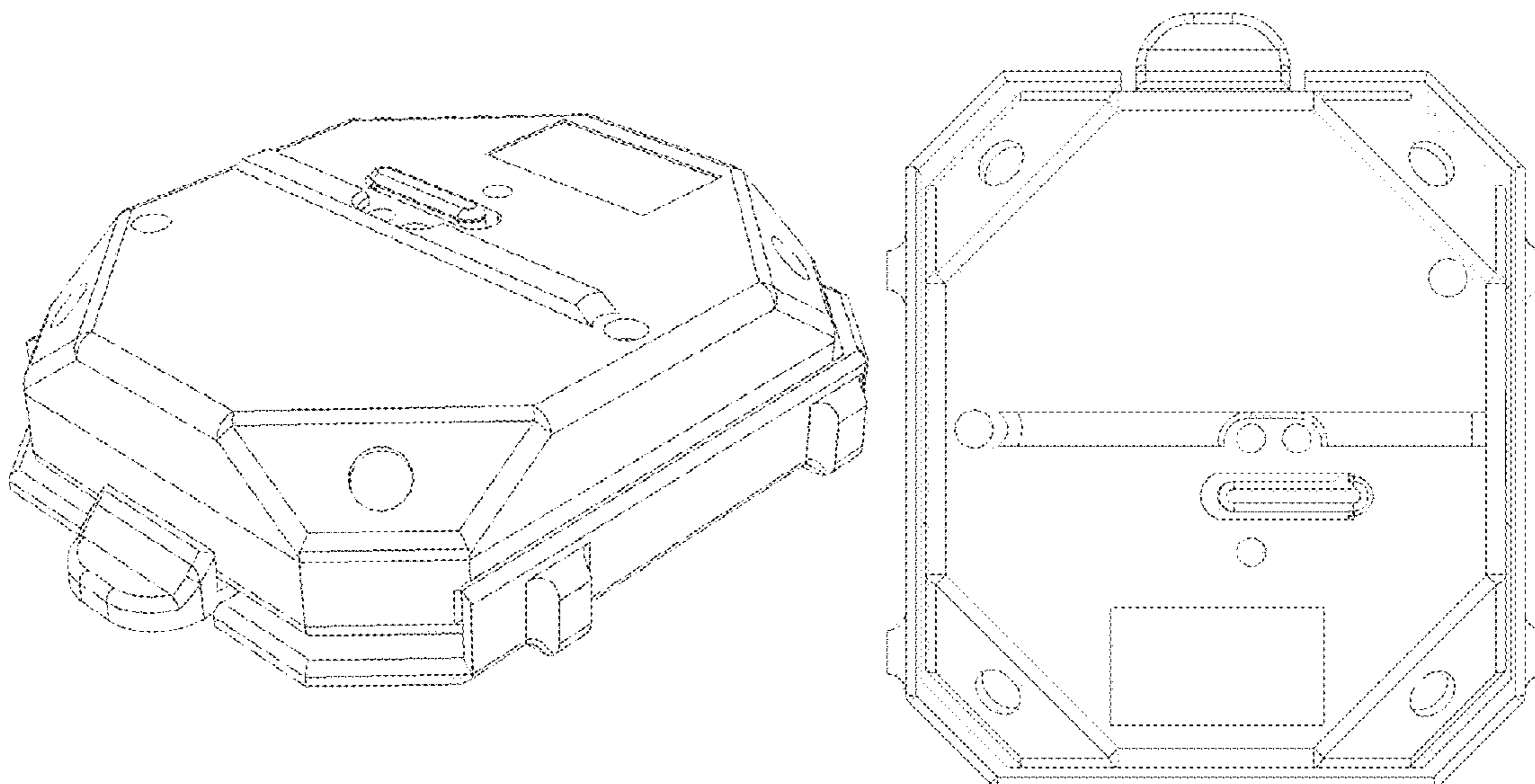
(57) **CLAIM**

I claim the ornamental design for a tracking puck with base plate, as shown and described.

DESCRIPTION

FIG. 1 depicts a perspective view of a new and ornamental design for a tracking puck with base plate;
FIG. 2 depicts a top view thereof;
FIG. 3 depicts a bottom view thereof;
FIG. 4 depicts a frontal view thereof;
FIG. 5 depicts a rear view thereof;
FIG. 6 depicts a left view thereof; and,
FIG. 7 depicts a right view thereof.

1 Claim, 7 Drawing Sheets



(56)

References Cited

U.S. PATENT DOCUMENTS

D888,059 S * 6/2020 Ranade A01K 27/001
D14/432
D896,311 S * 9/2020 Singer D21/333
D899,278 S * 10/2020 Chaumont D10/70
D918,199 S * 5/2021 Browy D14/372
D919,618 S * 5/2021 Ranade G06F 1/163
D14/344
D920,329 S * 5/2021 Ranade D14/344
D922,375 S * 6/2021 Gill D14/344
2017/0108892 A1 * 4/2017 Lenzi G06F 1/163
2017/0255261 A1 * 9/2017 Huang G06F 3/038

OTHER PUBLICATIONS

Coollang Koospur Badminton Detector Bluetooth, available in Amazon.com, date first available Oct. 15, 2019, site visited Dec. 29, 2021. Available from the internet URL: <<https://www.amazon.com/Coollang-Koospur-Badminton-Detector-Bluetooth/dp/B07Z54PJXX>>. (Year: 2019).*

* cited by examiner

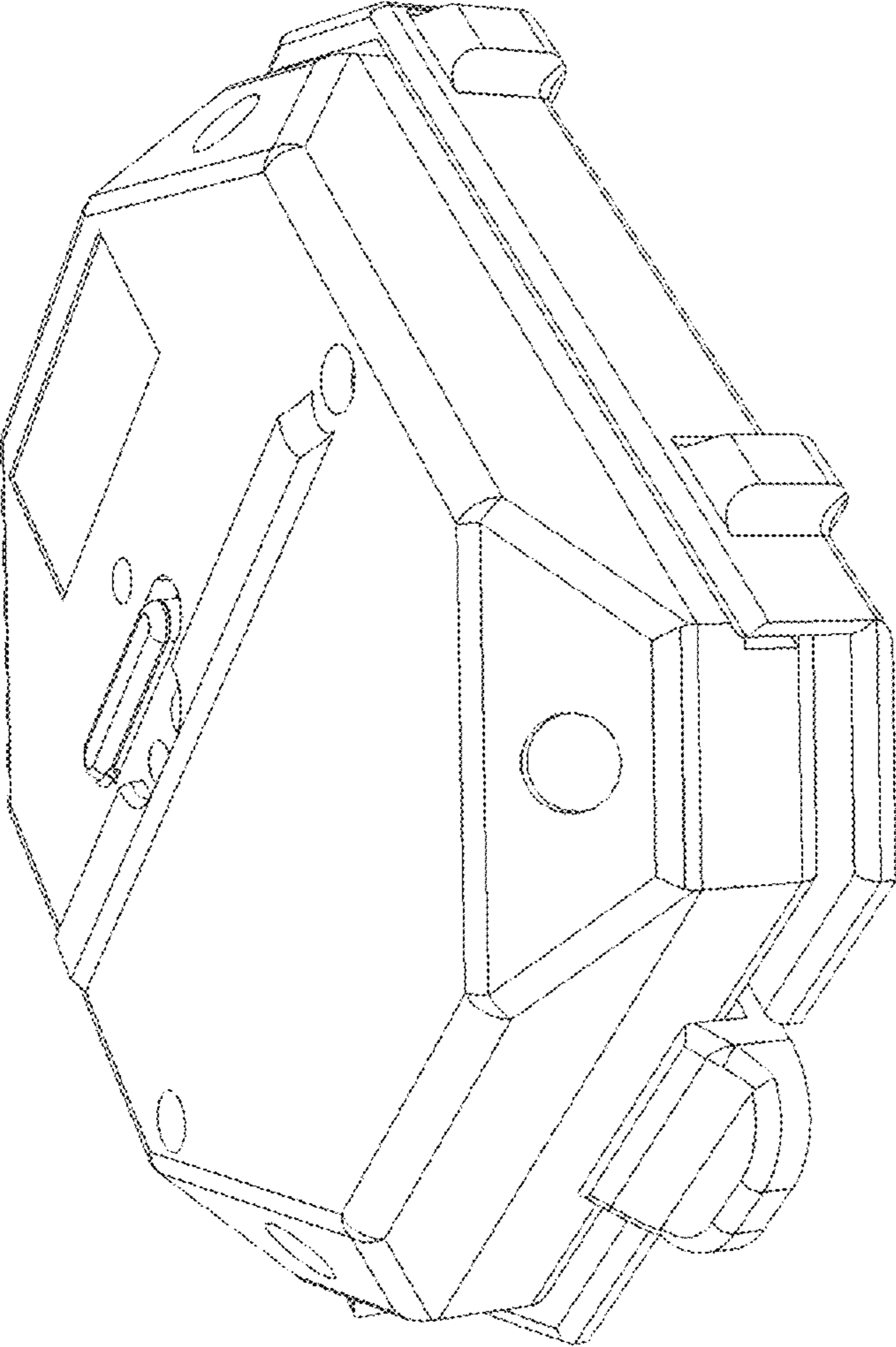


FIG. 1

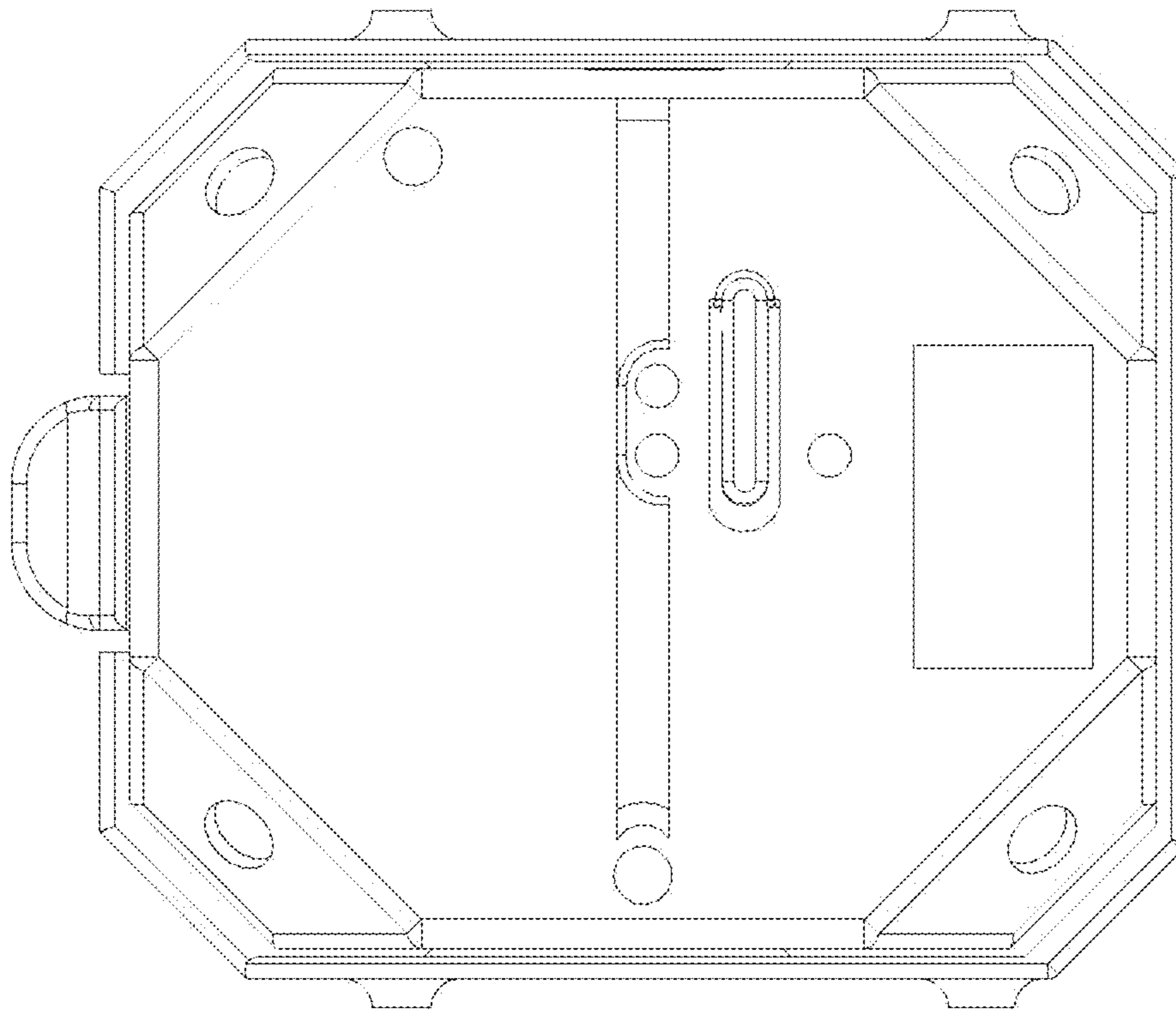


FIG. 2

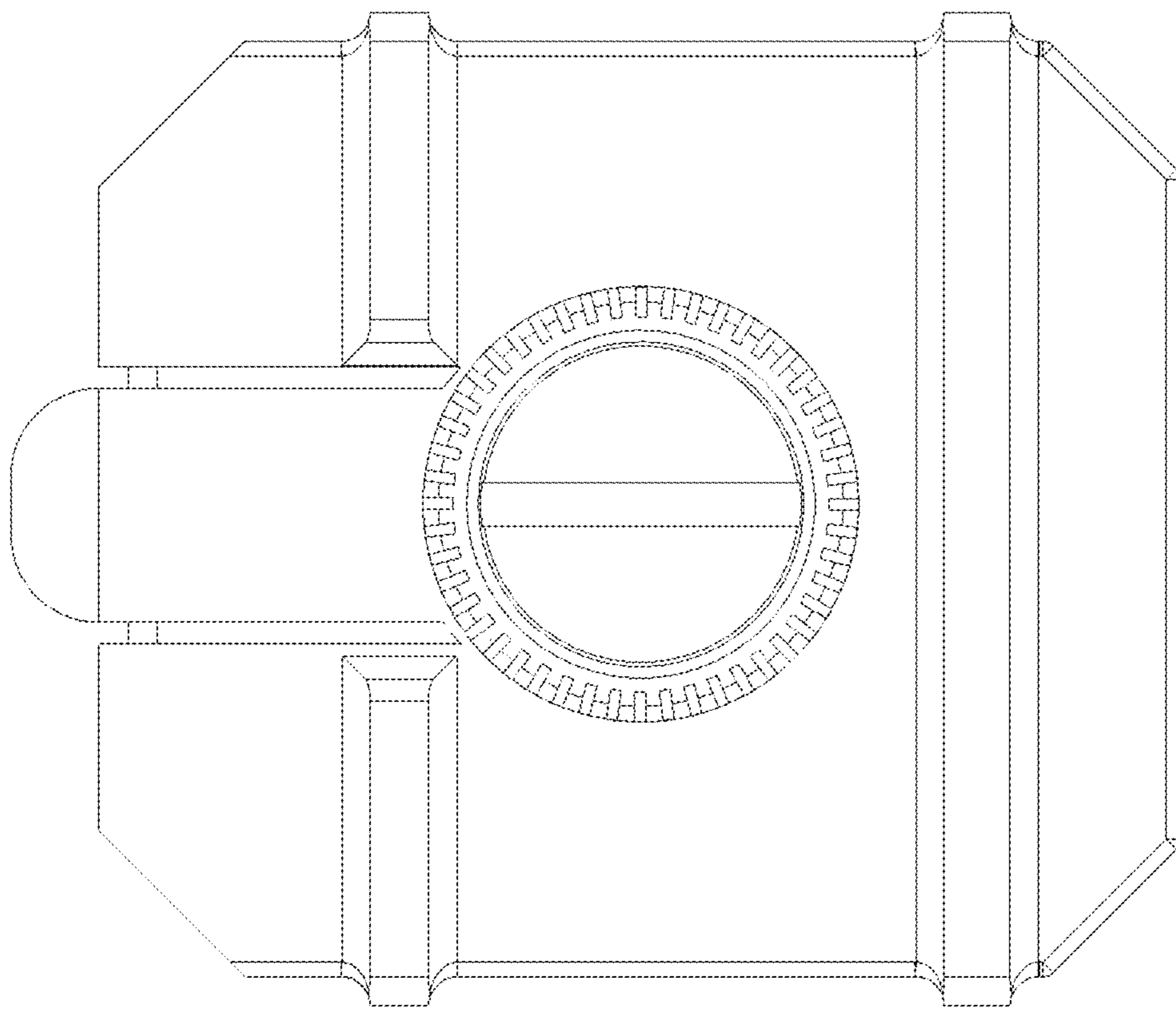


FIG. 3

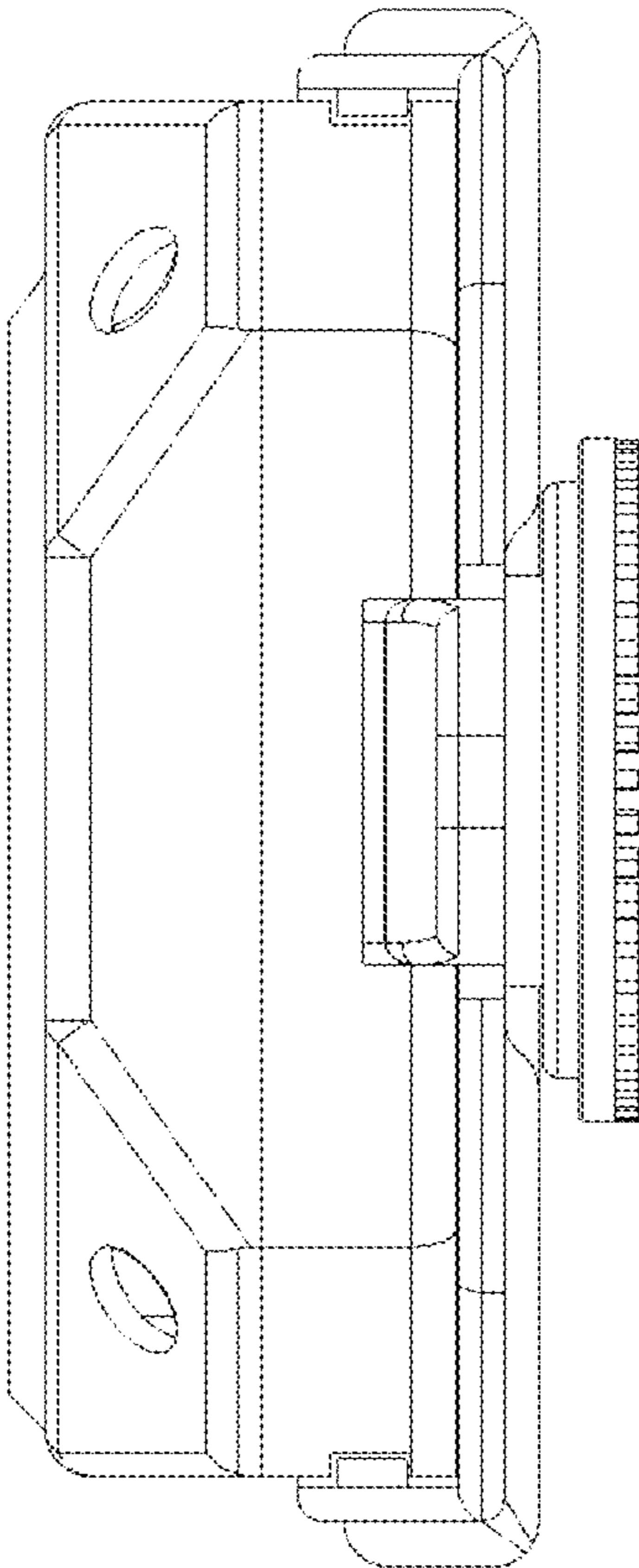


FIG. 4

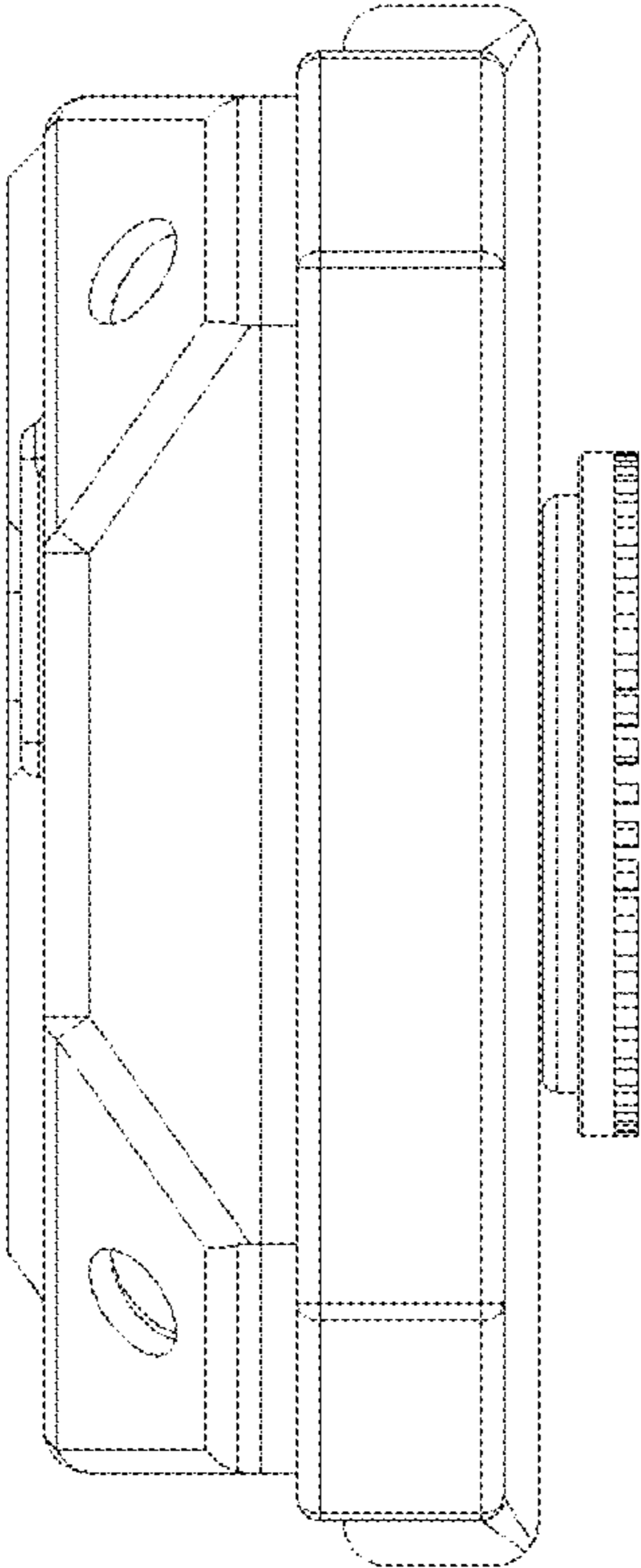


FIG. 5

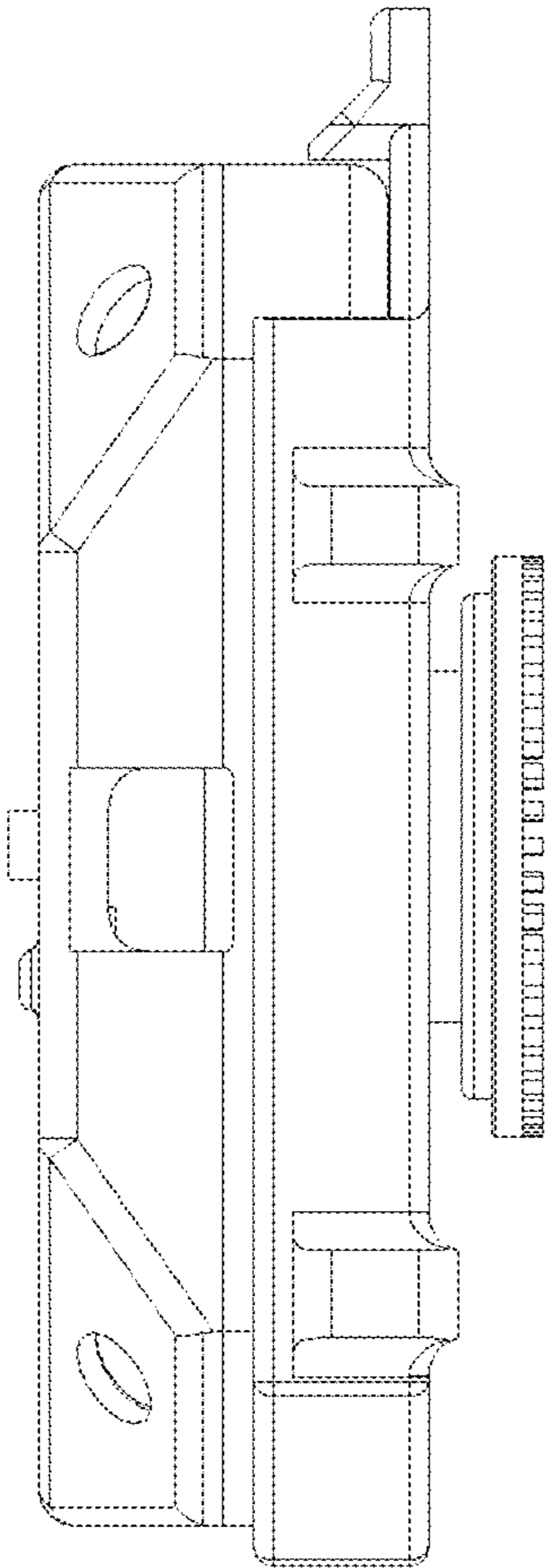


FIG. 6

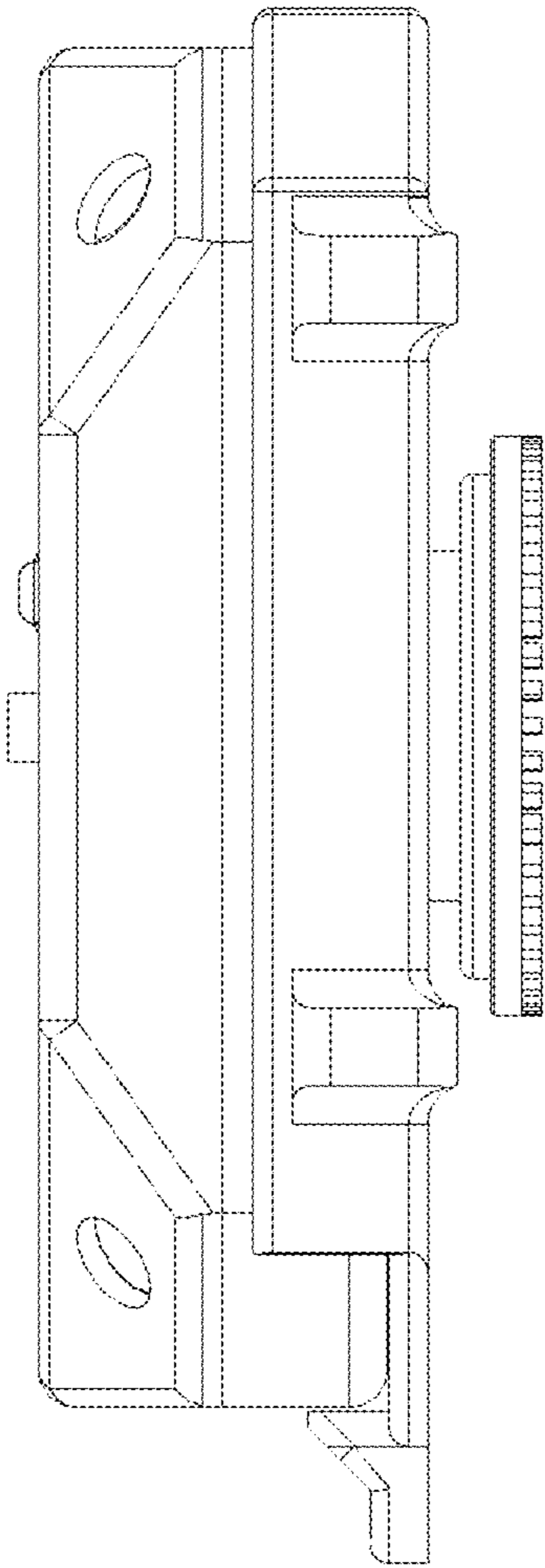


FIG. 7