



US00D965446S

(12) **United States Design Patent**
Chen

(10) **Patent No.:** **US D965,446 S**

(45) **Date of Patent:** **** Oct. 4, 2022**

(54) **WATER TIMER**

(71) Applicant: **Ningbo Boxi Garden Equipment Co., Ltd., Zhejiang (CN)**

(72) Inventor: **Jing Chen, Zhejiang (CN)**

(73) Assignee: **Ningbo Boxi Garden Equipment Co., Ltd., Zhejiang (CN)**

(**) Term: **15 Years**

(21) Appl. No.: **29/821,013**

(22) Filed: **Dec. 27, 2021**

(51) **LOC (13) Cl.** **10-03**

(52) **U.S. Cl.**
USPC **D10/40**

(58) **Field of Classification Search**
USPC D10/40-41
CPC A01G 25/162; A01G 25/165; G05B
2219/2625

See application file for complete search history.

(56) **References Cited**

U.S. PATENT DOCUMENTS

D559,708 S *	1/2008	Michael	D10/40
D567,681 S *	4/2008	Michael	D10/40
D630,952 S *	1/2011	Nies	D10/40
D636,278 S *	4/2011	Franchini	D10/40
D657,263 S *	4/2012	Nies	D10/40
D857,529 S *	8/2019	Rodriguez	D10/49
D886,645 S *	6/2020	Chen	D10/40

D896,105 S	9/2020	Xu	
10,959,385 B1 *	3/2021	Chen F16K 31/48
D924,700 S	6/2021	Xu	
D935,332 S *	11/2021	Chen D10/40
D935,902 S *	11/2021	Huang D10/40
D941,162 S *	1/2022	Yu D10/40
11,297,784 B2 *	4/2022	Chen A01G 25/165
D954,566 S *	6/2022	Chen D10/40
2021/0267145 A1 *	9/2021	Chen F17C 13/04

* cited by examiner

Primary Examiner — Katherine Glennon

(74) *Attorney, Agent, or Firm* — ScienBiziP, P.C.

(57) **CLAIM**

The ornamental design for a water timer, as shown and described.

DESCRIPTION

FIG. 1 is a front, right, and top perspective view of a water timer, showing my design.

FIG. 2 is a rear, left, and top perspective view thereof.

FIG. 3 is a front elevation view thereof.

FIG. 4 is a rear elevation view thereof.

FIG. 5 is a left side elevation view thereof.

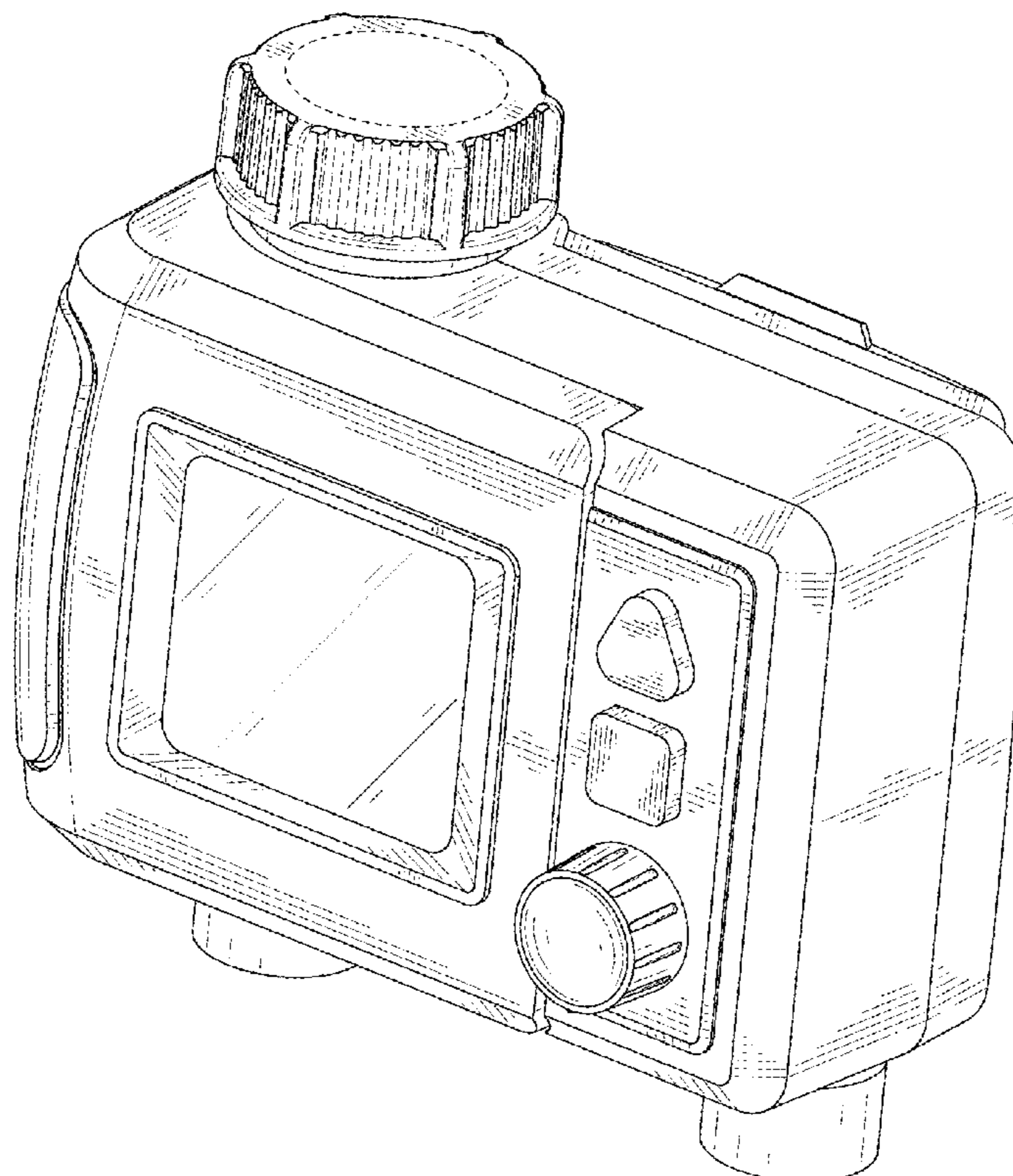
FIG. 6 is a right side elevation view thereof.

FIG. 7 is a top plan view thereof; and,

FIG. 8 is a bottom plan view thereof.

The broken lines shown in the drawings are included for the purpose of illustrating portions of the water timer that form no part of the claimed design.

1 Claim, 8 Drawing Sheets



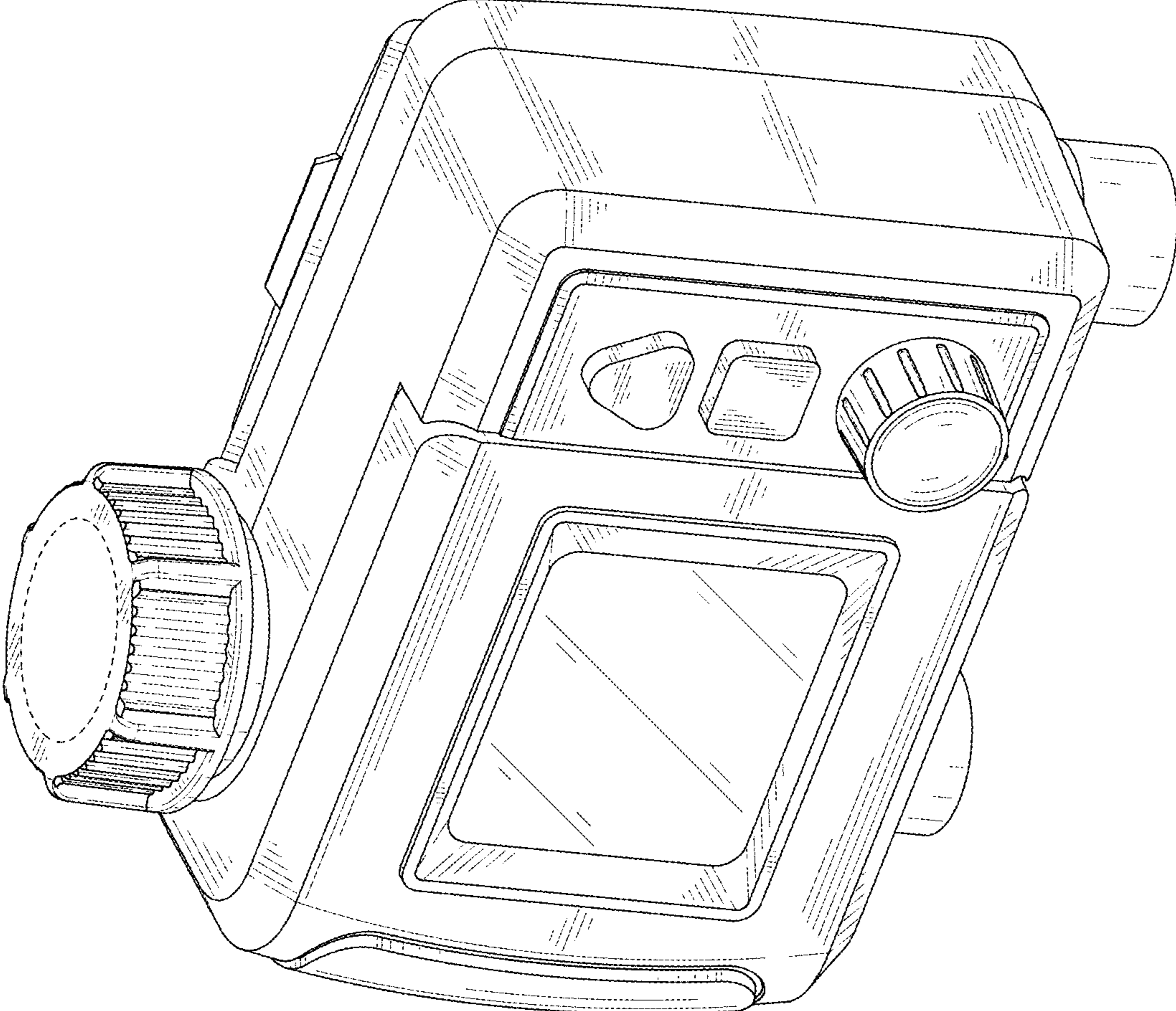


FIG. 1

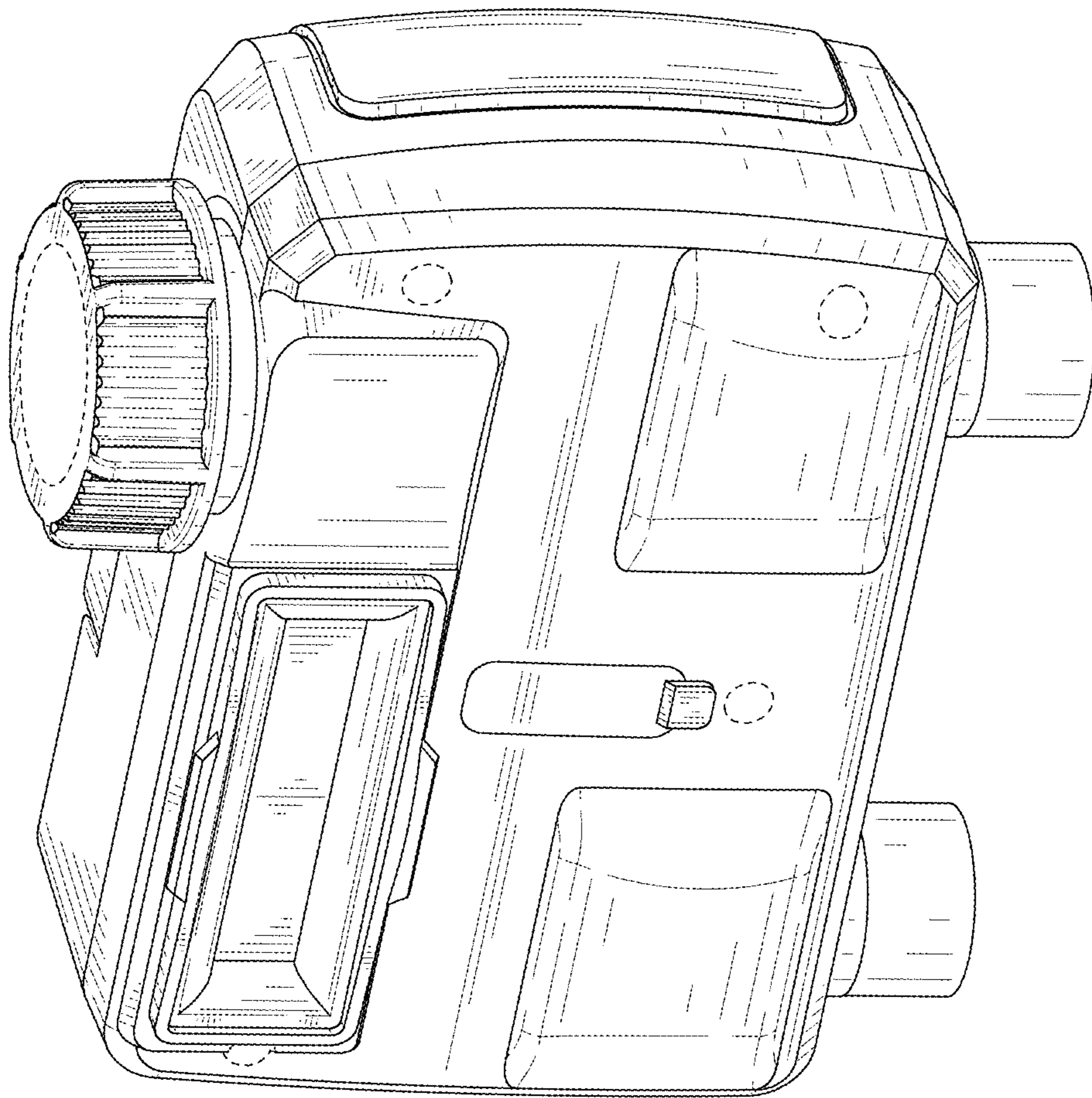


FIG. 2

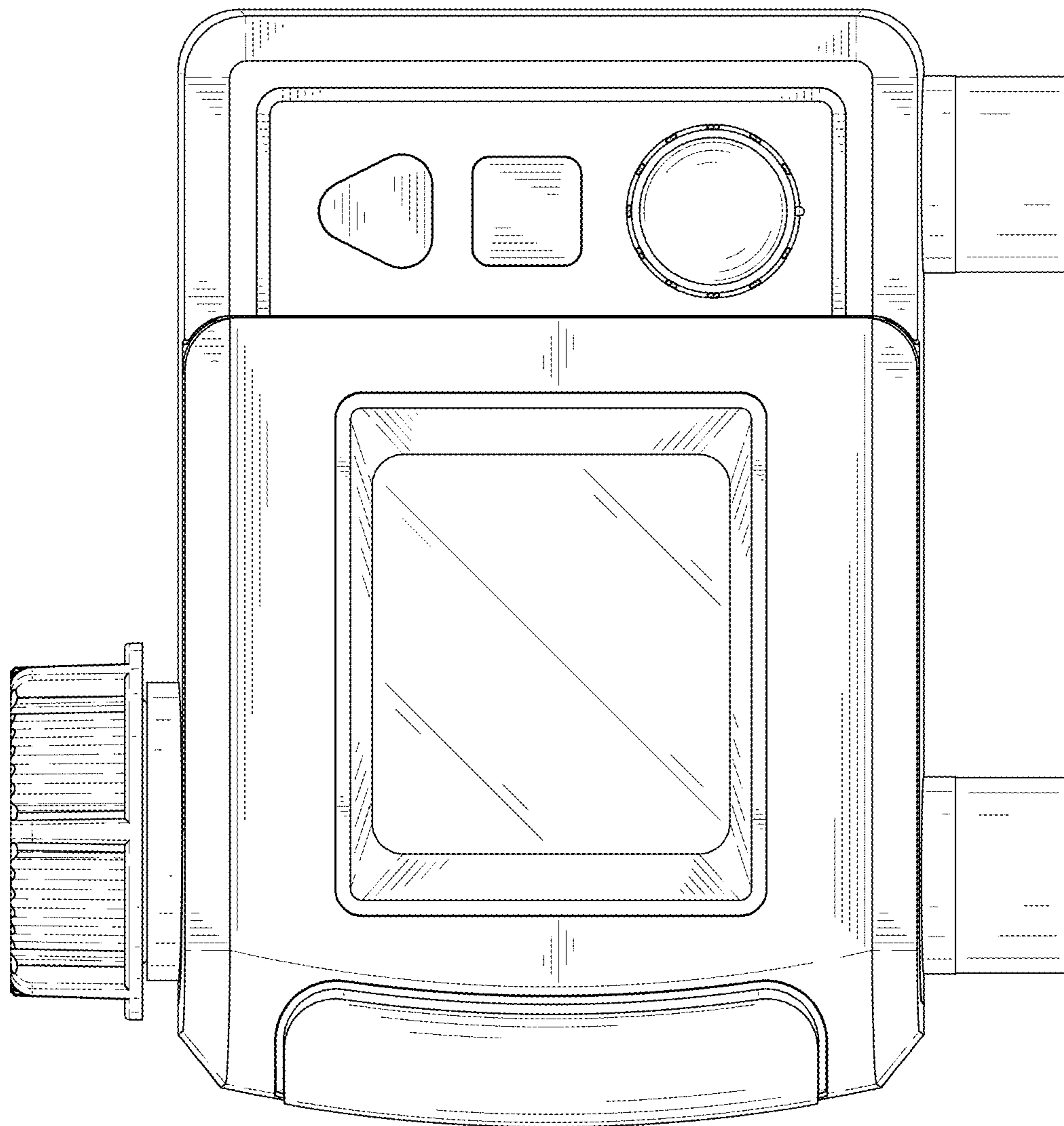


FIG. 3

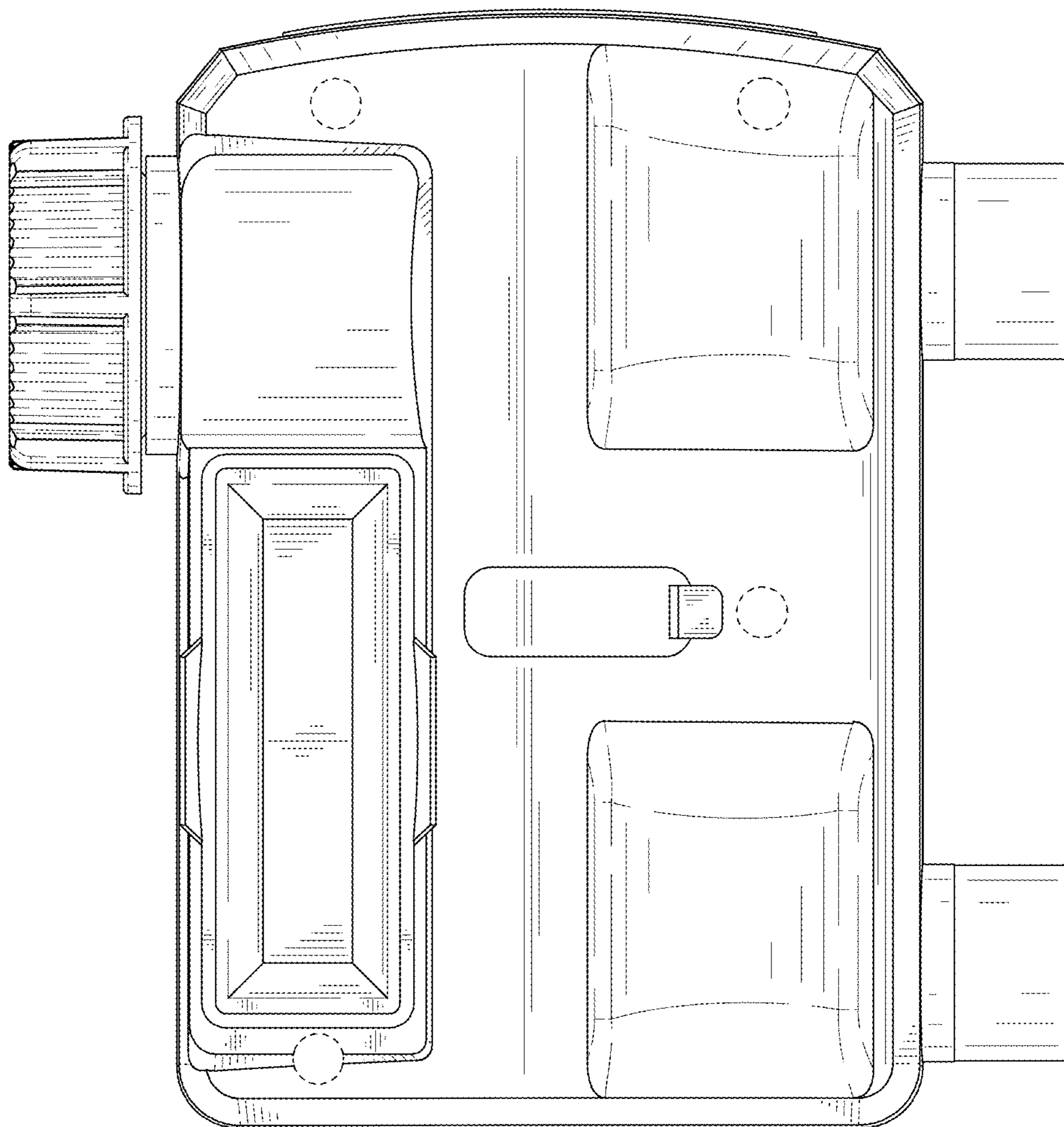


FIG. 4

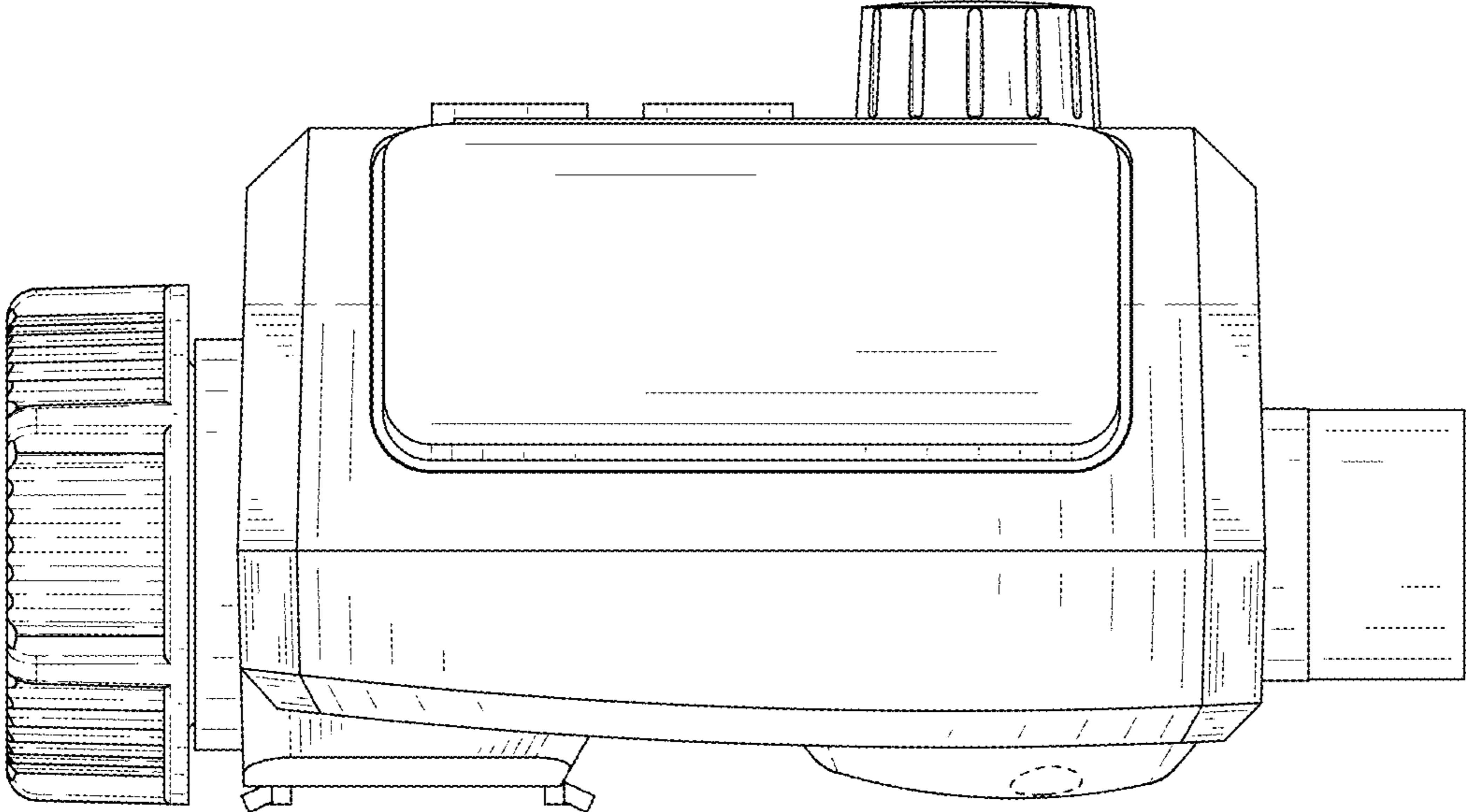


FIG. 5

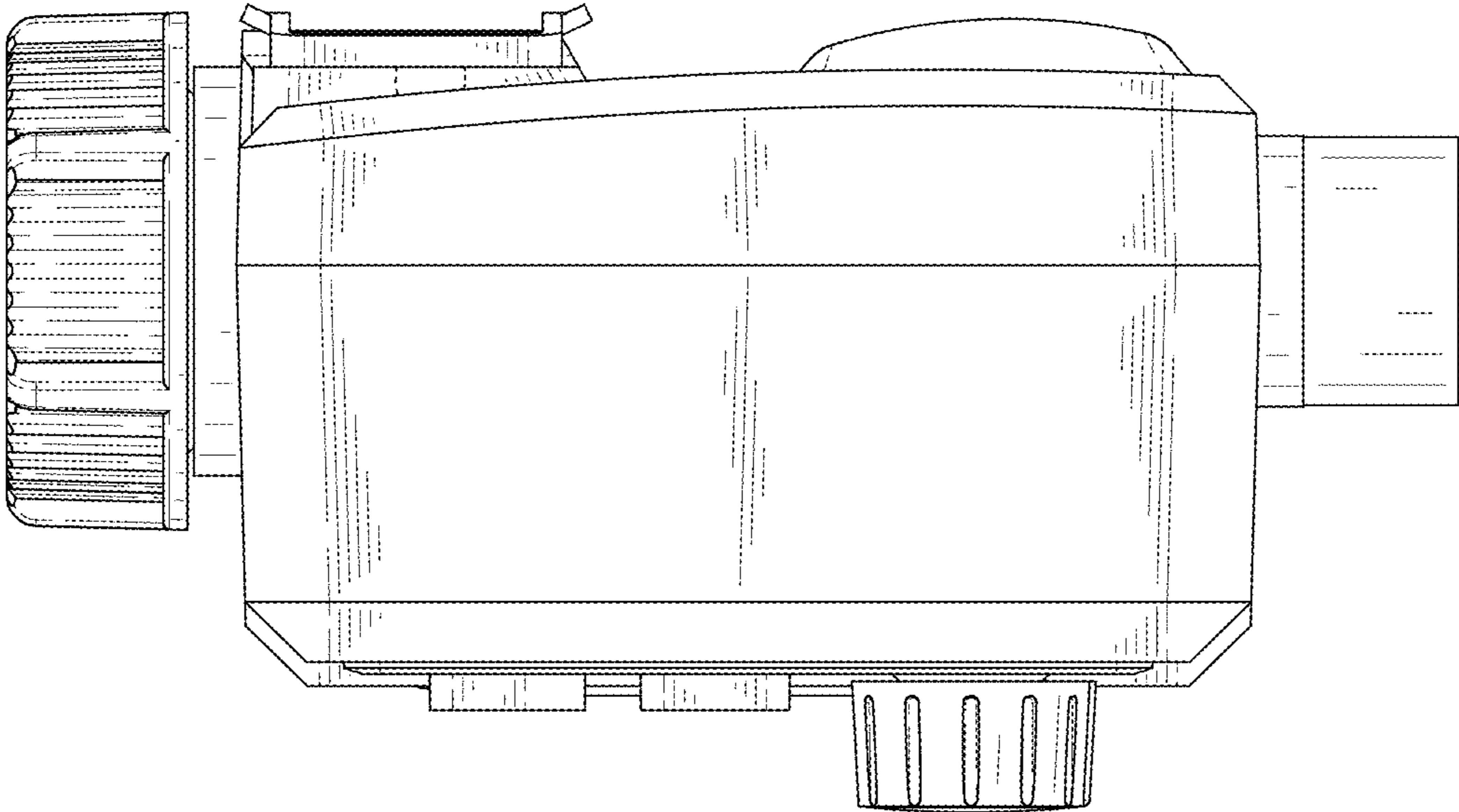


FIG. 6

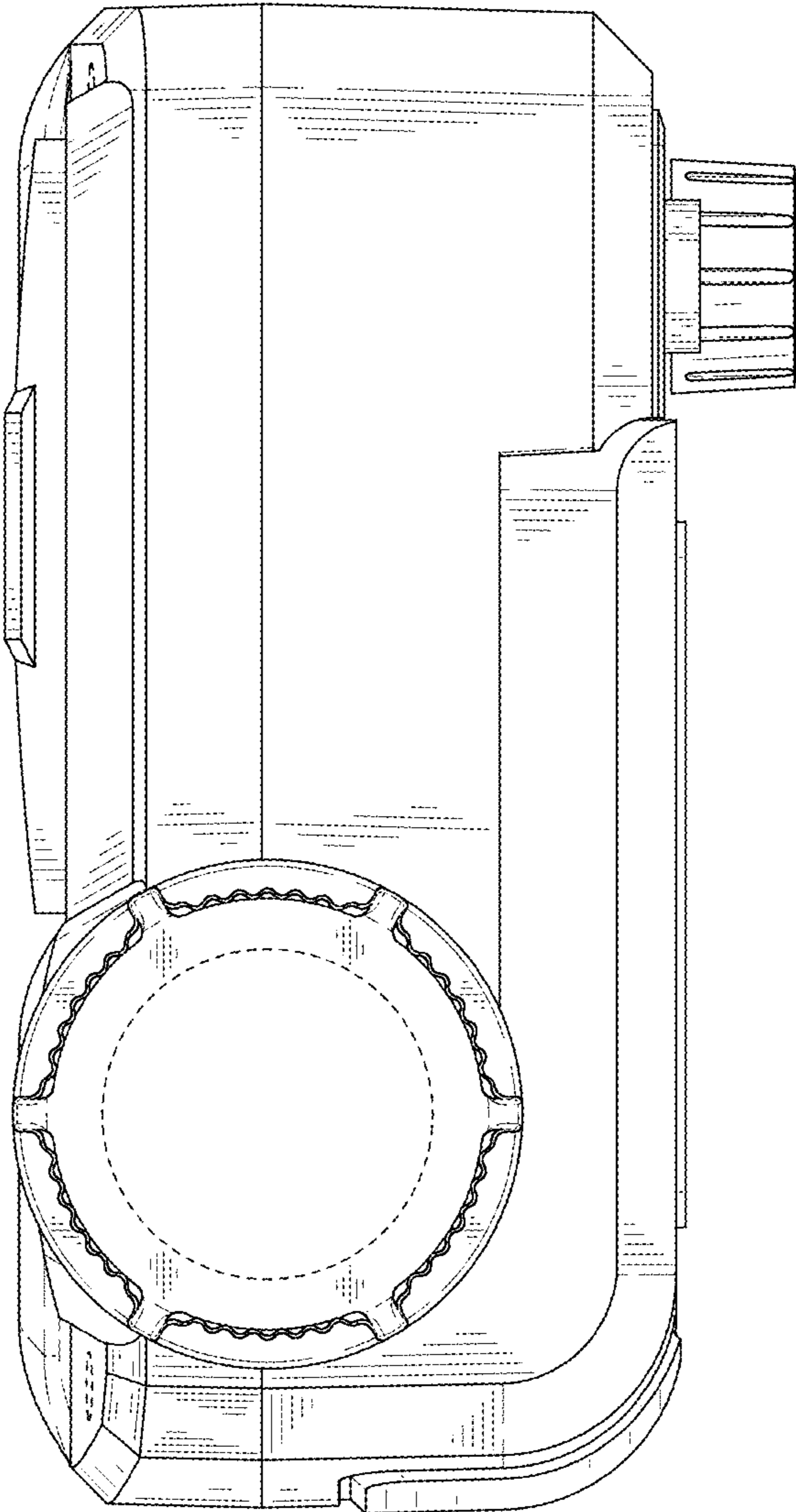


FIG. 7

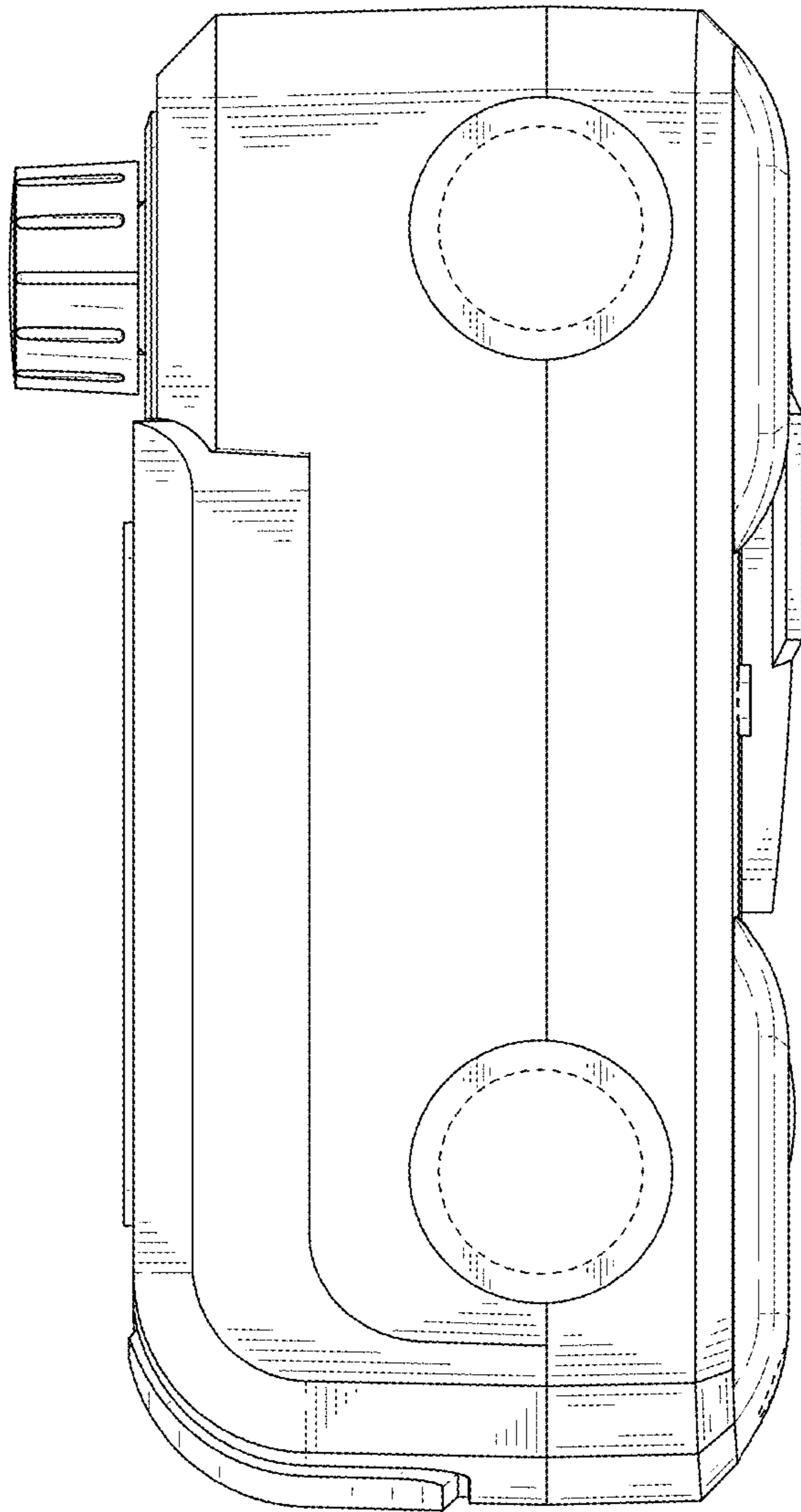


FIG. 8