



US00D965445S

(12) **United States Design Patent** (10) **Patent No.:** **US D965,445 S**
Kothari (45) **Date of Patent:** **** Oct. 4, 2022**

(54) **ABACUS WATCH**
(71) Applicant: **Eshaan Kothari**, Singapore (SG)
(72) Inventor: **Eshaan Kothari**, Singapore (SG)
(**) Term: **15 Years**
(21) Appl. No.: **29/835,935**
(22) Filed: **Apr. 22, 2022**

2008/0189344 A1* 8/2008 Xu G06F 15/025
708/142
2019/0219971 A1* 7/2019 Luo G04G 17/08
2021/0157354 A1* 5/2021 Son G06C 1/00

FOREIGN PATENT DOCUMENTS

CN 2222375 Y 3/1996
CN 200986752 Y 12/2007
CN 201357674 Y 12/2009
CN 201403693 Y 2/2010

(Continued)

(51) **LOC (13) Cl.** **10-02**
(52) **U.S. Cl.**

USPC **D10/39**

(58) **Field of Classification Search**

USPC D10/30-39, 122-132
CPC G04B 37/00; G04B 37/0058; G04B
37/1446; G04B 37/18; G04B 19/00;
G04B 19/02; G04B 19/025; G04B 19/04;
G04B 19/042; G04B 19/06; G04B
19/065; G04B 19/08; G04B 19/085;
G04B 19/087; G04B 45/0046; G04B
45/0069; G04B 45/0076; G04G 17/00;
G04G 17/08; G04G 17/083; G04G
99/006

See application file for complete search history.

OTHER PUBLICATIONS

Abacus Clock Garching bei Munchen Germany | atlasobscura.com;
no posting date [online]. © 2022 Atlas Obscura [retrieved Aug. 24,
2022] from Internet: <<https://www.atlasobscura.com/places/abacus-clock-abakus-uhr>> (Year: 2022).*

(Continued)

Primary Examiner — Katherine Glennon
(74) *Attorney, Agent, or Firm* — Foley Hoag LLP; Rajesh
Vallabh

(57) **CLAIM**

The ornamental design for an abacus watch, as shown and
described.

DESCRIPTION

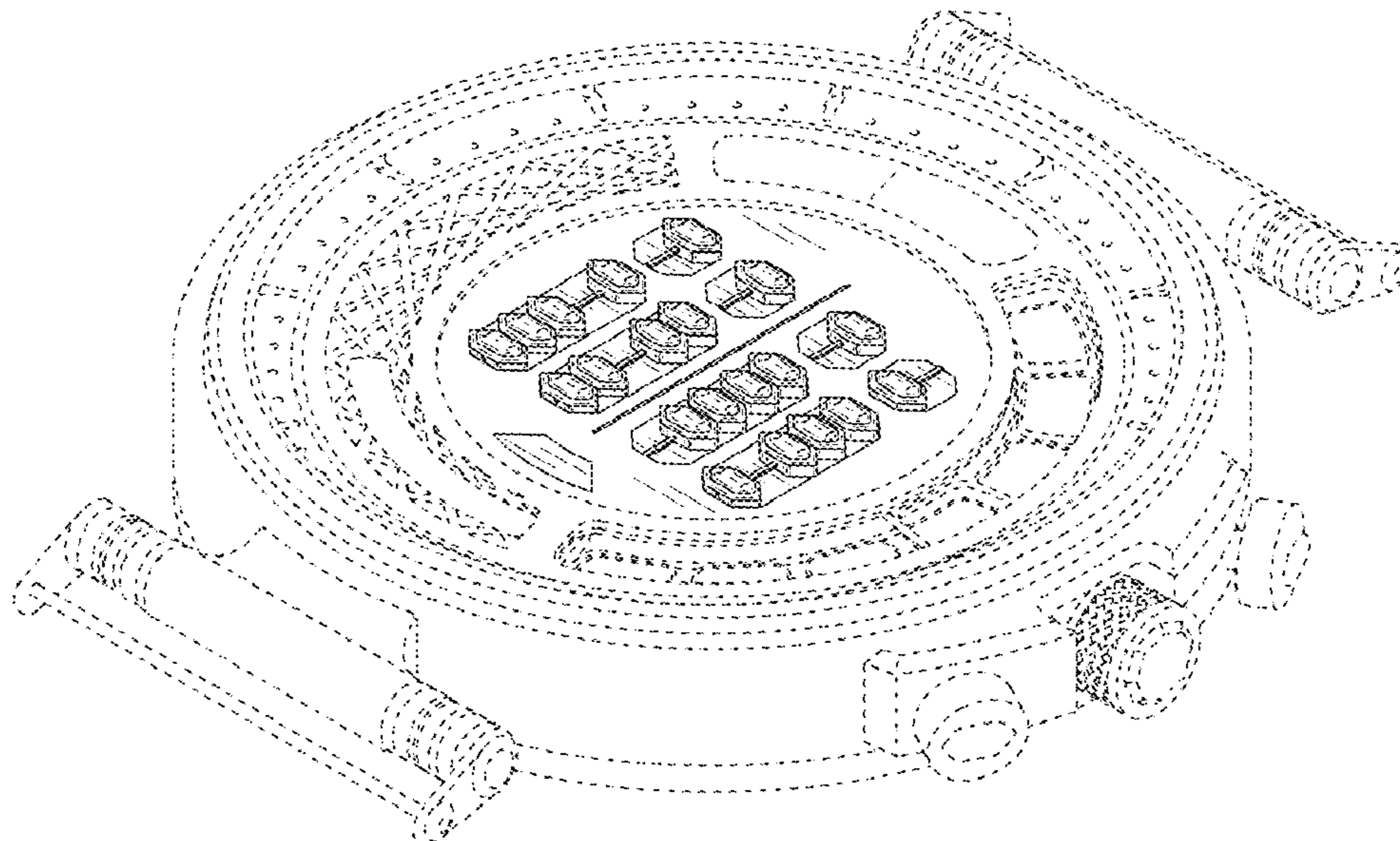
(56) **References Cited**

U.S. PATENT DOCUMENTS

7,782,714 B2 8/2010 El Kadiri
D705,674 S * 5/2014 Lasserre D10/39
D827,638 S * 9/2018 Tamillow D14/344
D878,935 S * 3/2020 Kimura D10/39
D883,810 S * 5/2020 Duval D10/39
D946,422 S * 3/2022 Hegi D10/39
D946,423 S * 3/2022 Hegi D10/39
D951,107 S * 5/2022 Kuang D24/186
D959,292 S * 8/2022 Jennings D10/39
2006/0228680 A1* 10/2006 Cotter G06C 1/00
434/188

FIG. 1 is a perspective view of an abacus watch showing my
new design;
FIG. 2 is a front view thereof;
FIG. 3 is a rear view thereof;
FIG. 4 is a top view thereof;
FIG. 5 is a bottom view thereof;
FIG. 6 is a left side view thereof; and,
FIG. 7 is a right side view thereof.
The broken lines shown are included for the purpose of
illustrating the unclaimed portions of the abacus watch and
form no part of the claimed design.

1 Claim, 3 Drawing Sheets



(56)

References Cited

OTHER PUBLICATIONS

FOREIGN PATENT DOCUMENTS

CN	201929234	U	8/2011
CN	202433805	U	9/2012
CN	202445340	U	9/2012
CN	204790675	U	11/2015
CN	205334282	U	6/2016
CN	205539956	U	8/2016
CN	205621333	U	10/2016
CN	206930975	U	1/2018
CN	209417986	U	9/2019
CN	209591190	U	11/2019
CN	210181878	U	3/2020
CN	211578156	U	9/2020
CN	214587525	U	11/2021
ES	180468	U	2/1973
JP	2001/153982	A	6/2001
KR	2006/0032927	A	4/2006

Chajoong Kim., "From left to right: the abacus ring, a Casio calculator watch and the Apple Watch," retrieved online <https://www.researchgate.net/figure/From-left-to-right-the-abacus-ring-a-Casio-calculator-watch-and-the-Apple-Watch_fig1_307467240>: 2 pages (2016).

Hahabird., "Abacus Wristwatch," retrieved online <<https://hahabird.com/blogs/projects/abacus-wristwatch>>: 8 pages (2013).

Hahabird., "The Abacus Bracelet," retrieved online <<https://hahabird.com/blogs/projects/the-abacus-bracelet>>: 10 pages (2012).

Joanna., "Object: The Computational Watch.," New Media New Technology, retrieved online <<https://sites.google.com/site/newmedianewtechnology2019/portfolios/joanna/2-tribute-to-casio-watch>>: 4 pages (2019).

Tufail et al., "Characterizing Natural User Interface with Wearable Smart Watches," Archives of Design Research, 29(3): 86 pages (2016).

* cited by examiner

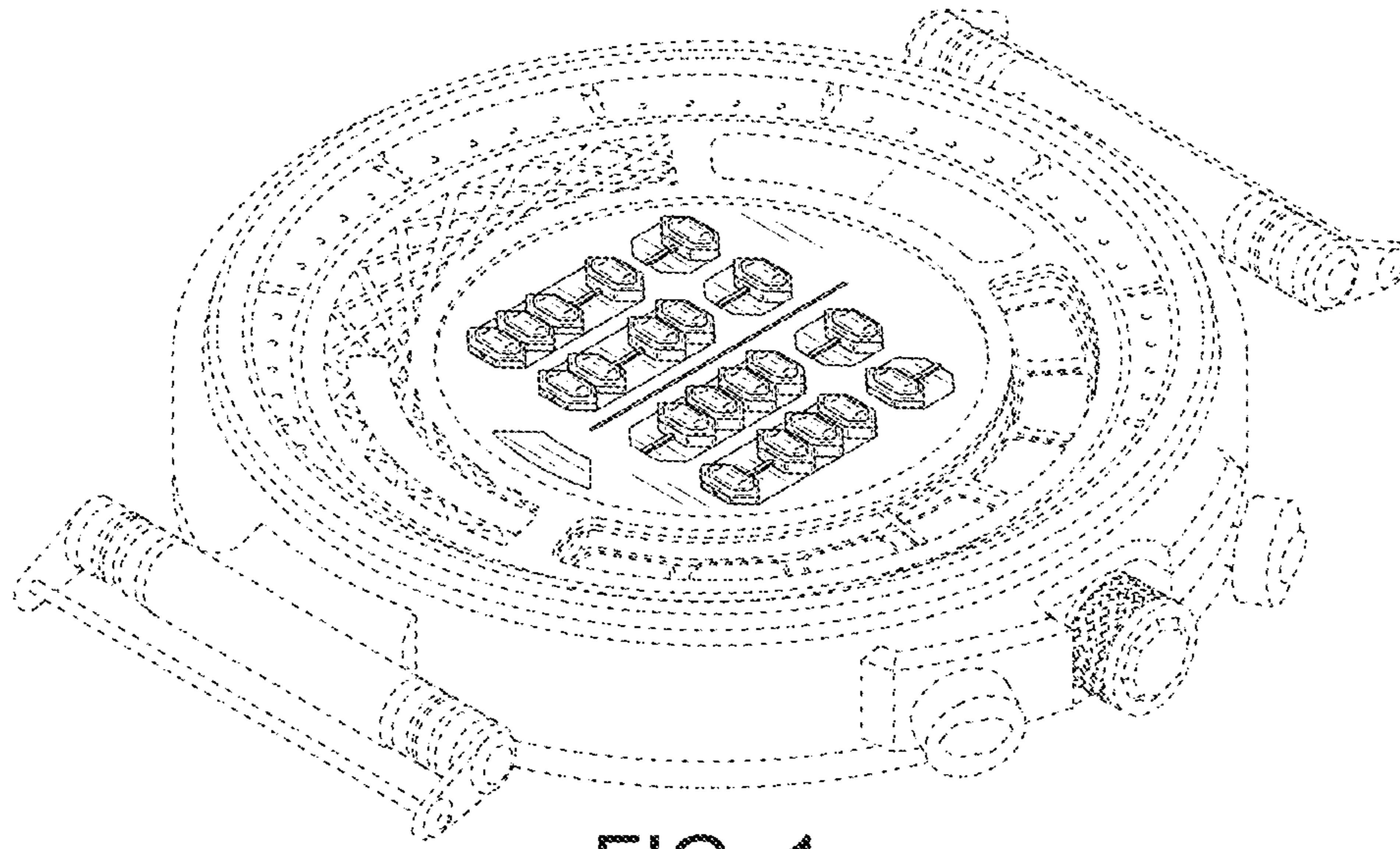


FIG. 1

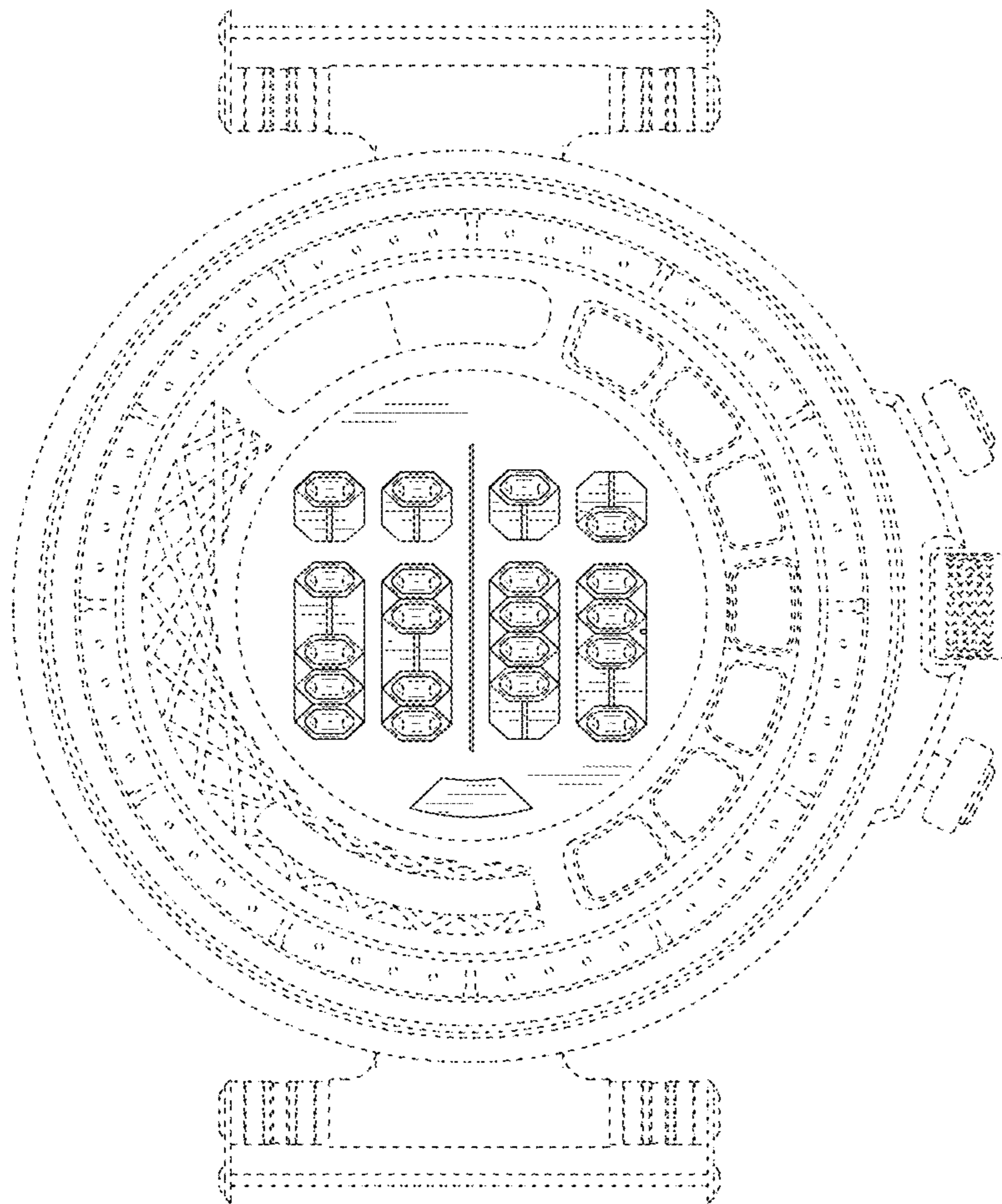


FIG. 2

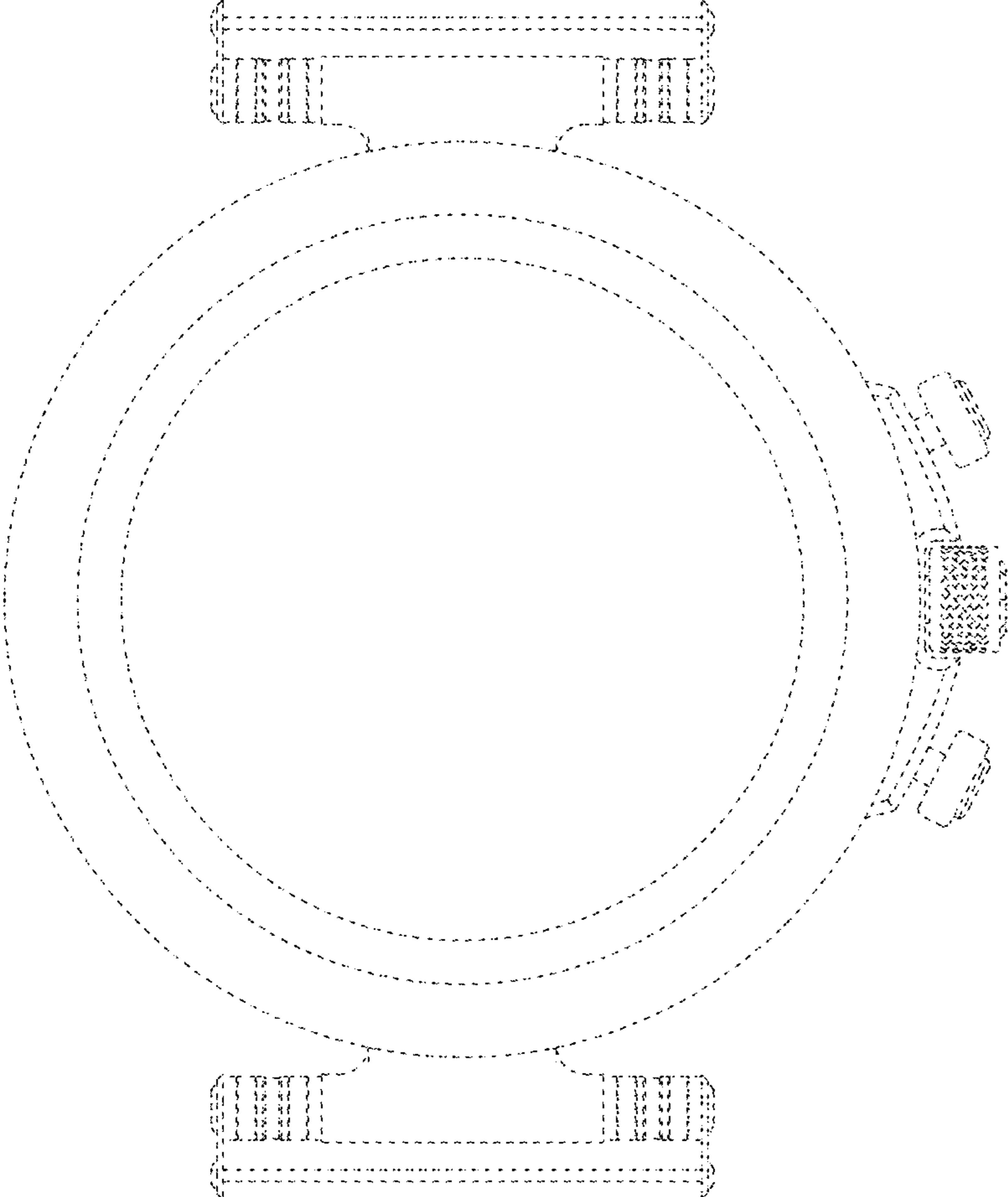


FIG. 3

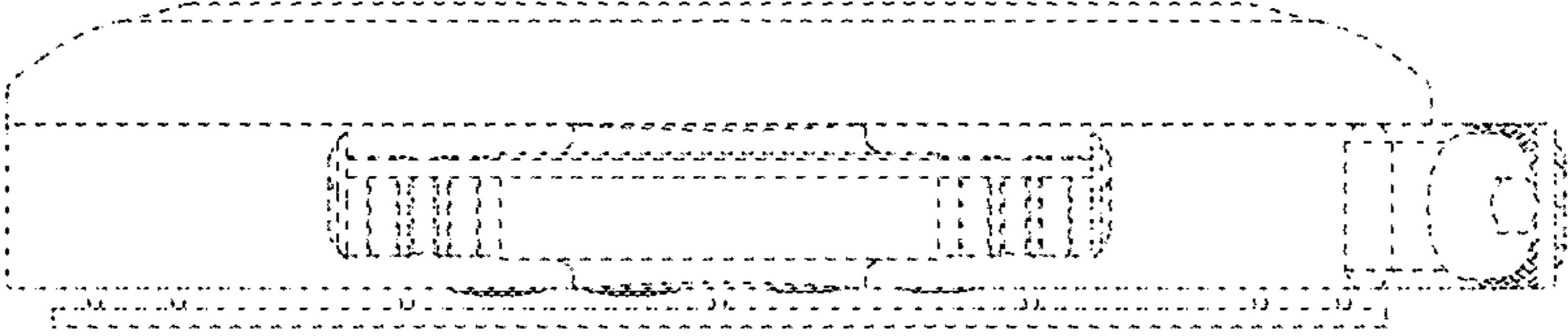


FIG. 4

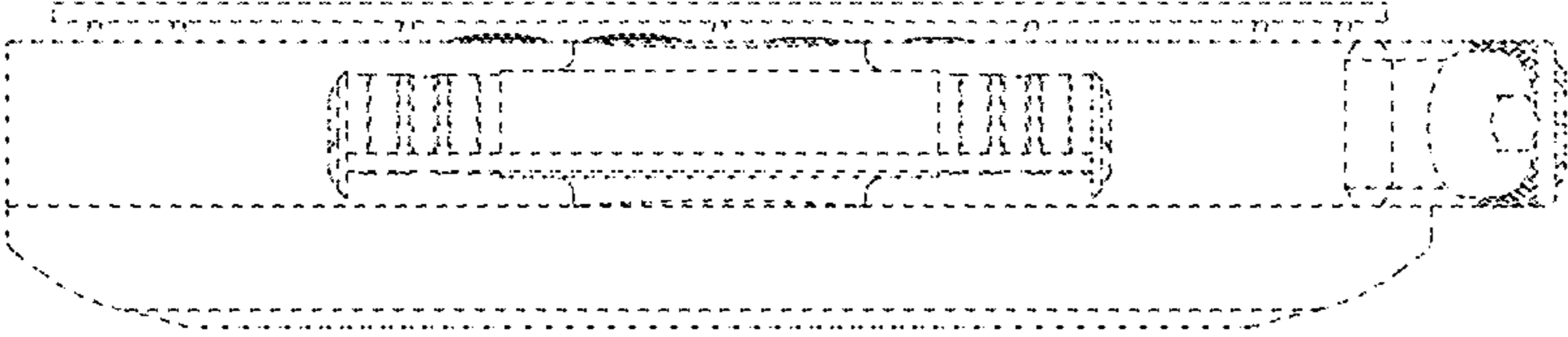


FIG. 5

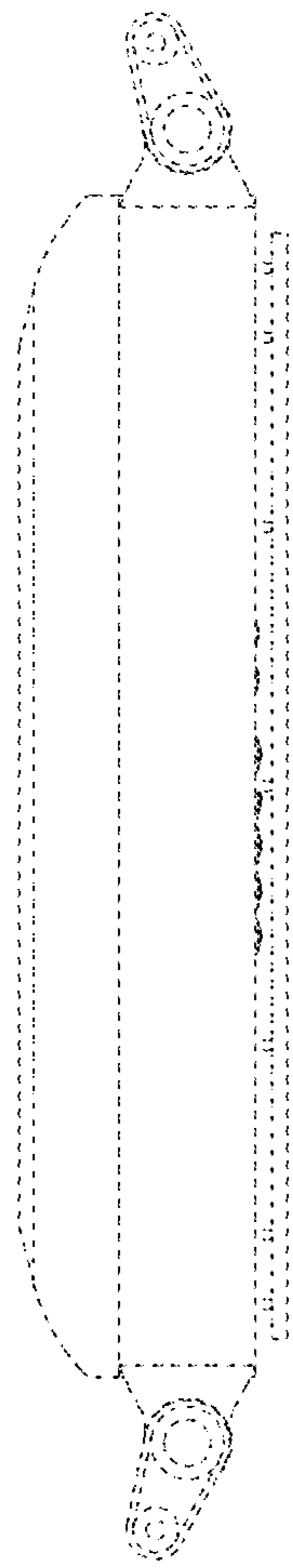


FIG. 6

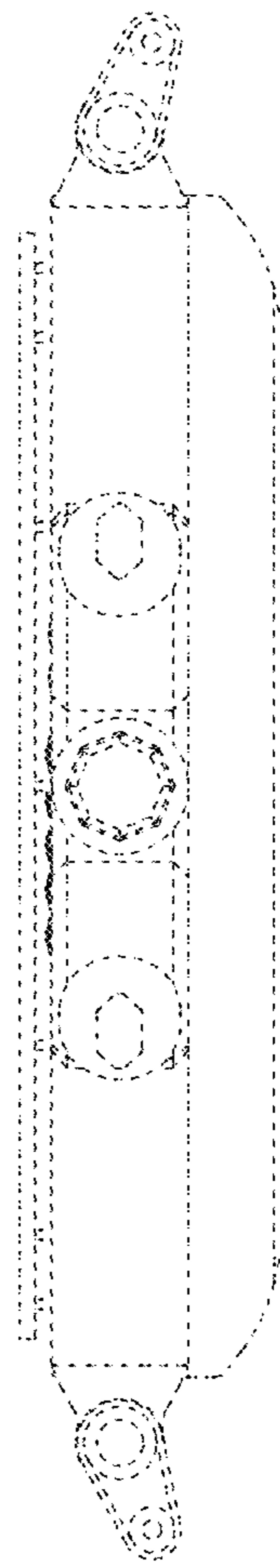


FIG. 7