



US00D965444S

(12) **United States Design Patent**
Zheng

(10) **Patent No.:** **US D965,444 S**

(45) **Date of Patent:** **** Oct. 4, 2022**

(54) **WATCH CASE**

(71) Applicant: **Xiaolong Zheng**, Leiyang (CN)

(72) Inventor: **Xiaolong Zheng**, Leiyang (CN)

(**) Term: **15 Years**

(21) Appl. No.: **29/816,890**

(22) Filed: **Nov. 25, 2021**

(51) **LOC (13) Cl.** **10-02**

(52) **U.S. Cl.**

USPC **D10/32**; D10/132

(58) **Field of Classification Search**

USPC D10/30-39, 122, 128, 129-132; D11/3;
D14/344, 440

CPC A44C 5/00; A44C 5/0007; A44C 5/147;
A44C 17/02; A45C 2011/001-003; A45C
15/08; A45C 11/10; A45C 11/12; G04B
37/005; G04B 37/0058; G04B 37/084;
G04B 37/087; G04G 17/08

See application file for complete search history.

(56) **References Cited**

U.S. PATENT DOCUMENTS

| | | | | |
|--------------|---------|---------|-------|---------|
| D765,072 S * | 8/2016 | Kwon | | D10/70 |
| D771,505 S | 11/2016 | Cerrato | | |
| D784,166 S | 4/2017 | Kishino | | |
| D792,241 S * | 7/2017 | White | | D10/30 |
| D799,988 S * | 10/2017 | White | | D10/30 |
| D856,160 S * | 8/2019 | Yu | | D10/32 |
| D877,153 S * | 3/2020 | Peng | | D14/440 |
| D898,745 S * | 10/2020 | Ye | | D14/440 |
| D913,139 S * | 3/2021 | Ren | | D14/440 |
| D949,026 S * | 4/2022 | Zhang | | D10/39 |
| D949,038 S * | 4/2022 | Hu | | D10/132 |
| D949,711 S * | 4/2022 | Huang | | D10/32 |

(Continued)

FOREIGN PATENT DOCUMENTS

EM 008647341.0001 * 8/2021

OTHER PUBLICATIONS

AmBand Case Compatible with Apple Watch | amazon.com; date first available Jun. 21, 2022 [online]. © 1996-2022, Amazon.com, Inc [retrieved Aug. 8, 2022] from Internet: <https://www.amazon.com/amBand-Compatible-Fortress-Protective-Accessories/dp/B09K77LKNZ?ref_ast_sto_dp&th=1> (Year: 2022).*

Primary Examiner — Katherine Glennon

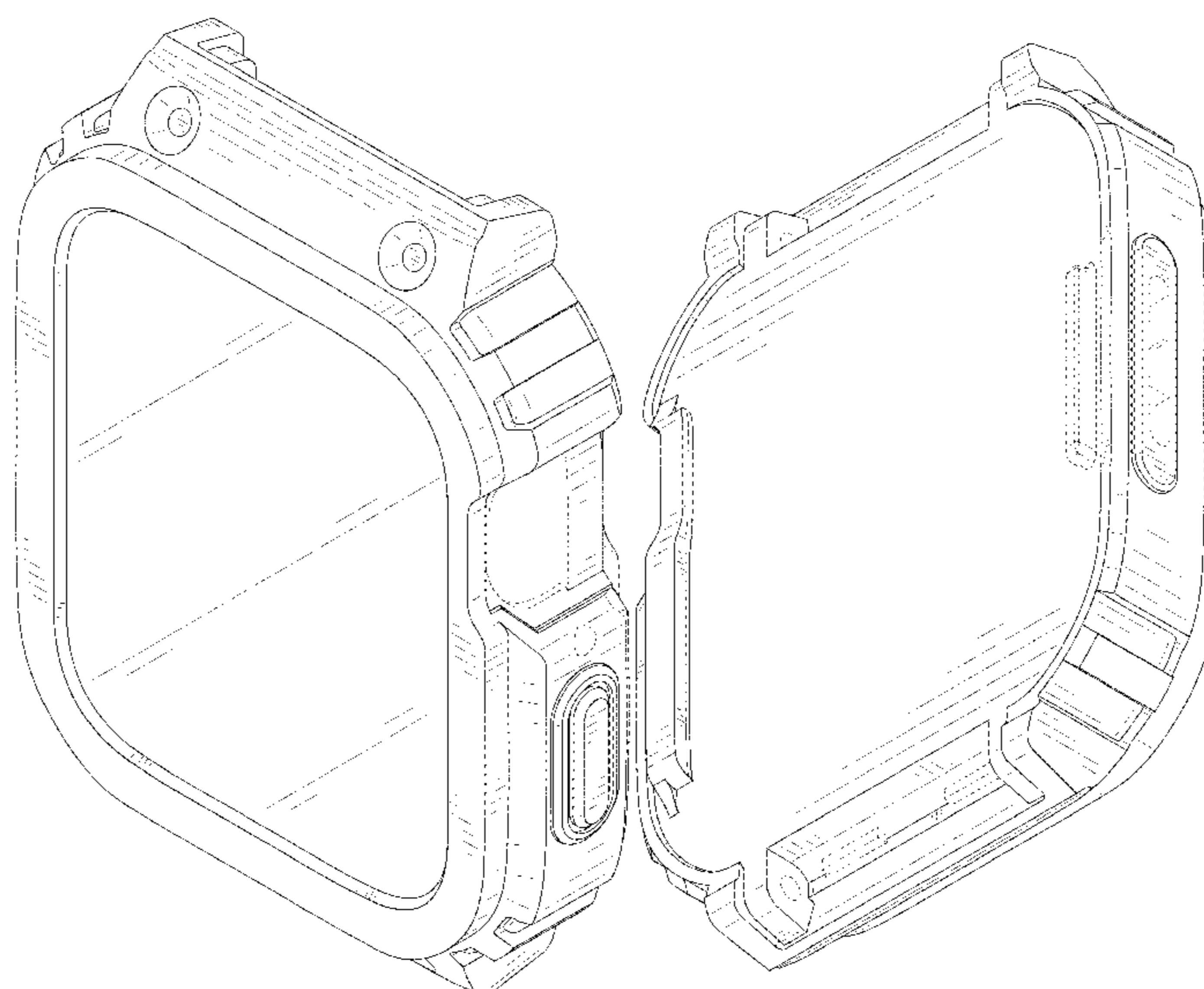
(57) **CLAIM**

The ornamental design for a watch case, as shown and described.

DESCRIPTION

FIG. 1 is a perspective view of a first embodiment of a watch case showing my new design;
FIG. 2 is another perspective view thereof;
FIG. 3 is a front elevational view thereof;
FIG. 4 is a rear elevational view thereof;
FIG. 5 is a left side elevational view thereof;
FIG. 6 is a right side elevational view thereof;
FIG. 7 is a top plan view thereof;
FIG. 8 is a bottom plan view thereof;
FIG. 9 is a perspective view of the watch case where the watch case is in a configuration of use;
FIG. 10 is a perspective view of a second embodiment of the watch case;
FIG. 11 is another perspective view thereof;
FIG. 12 is a front elevational view thereof;
FIG. 13 is a rear elevational view thereof;
FIG. 14 is a left side elevational view thereof;
FIG. 15 is a right side elevational view thereof;
FIG. 16 is a top plan view thereof;
FIG. 17 is a bottom plan view thereof; and,
FIG. 18 is a perspective view of the watch case where the watch case is in a configuration of use.
The broken lines in the drawings depict portions of the watch case that form no part of the claimed design.

1 Claim, 18 Drawing Sheets



(56)

References Cited

U.S. PATENT DOCUMENTS

D957,281 S * 7/2022 Huang D10/132
D959,315 S * 8/2022 Xiao D14/440

* cited by examiner

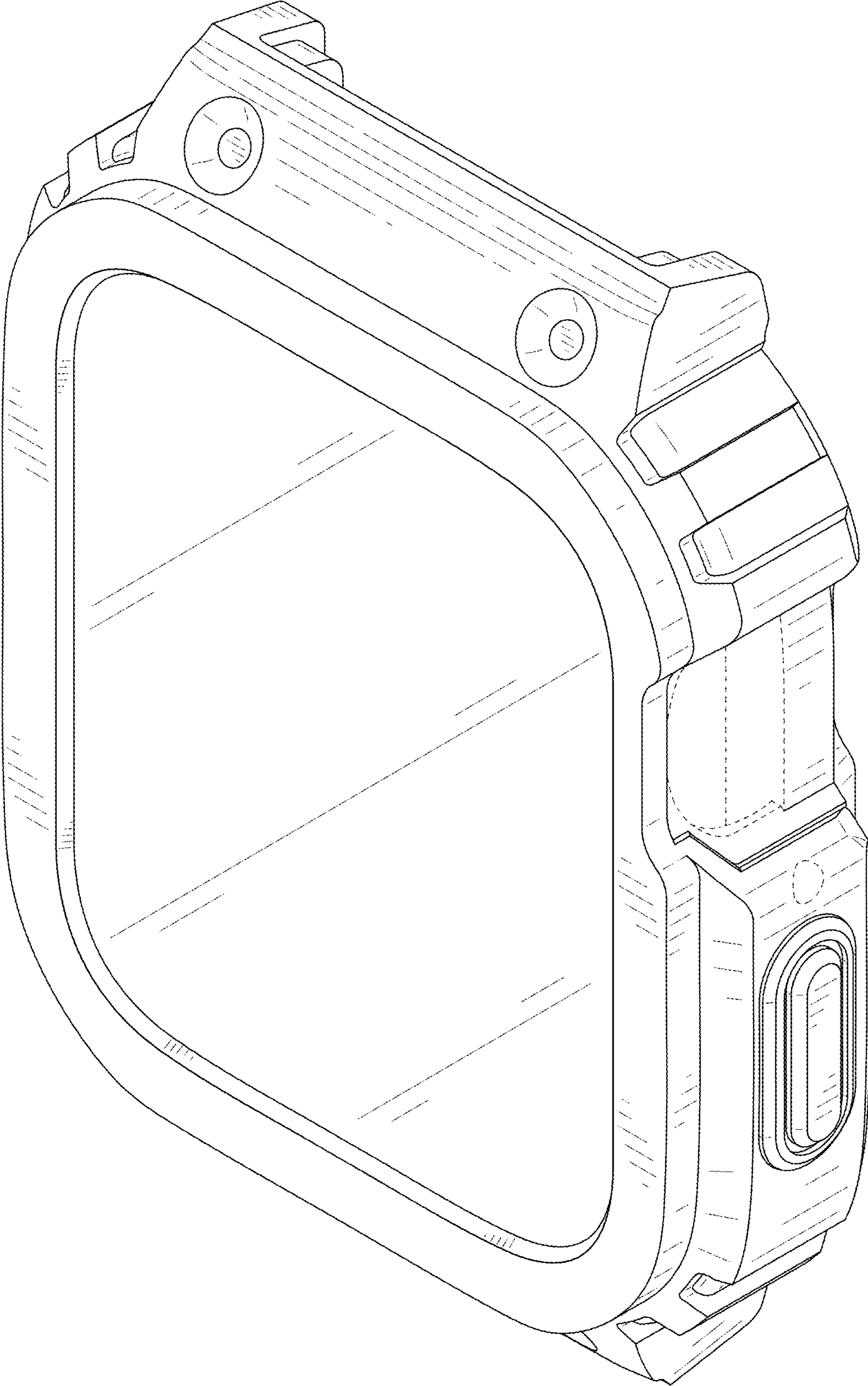


FIG. 1

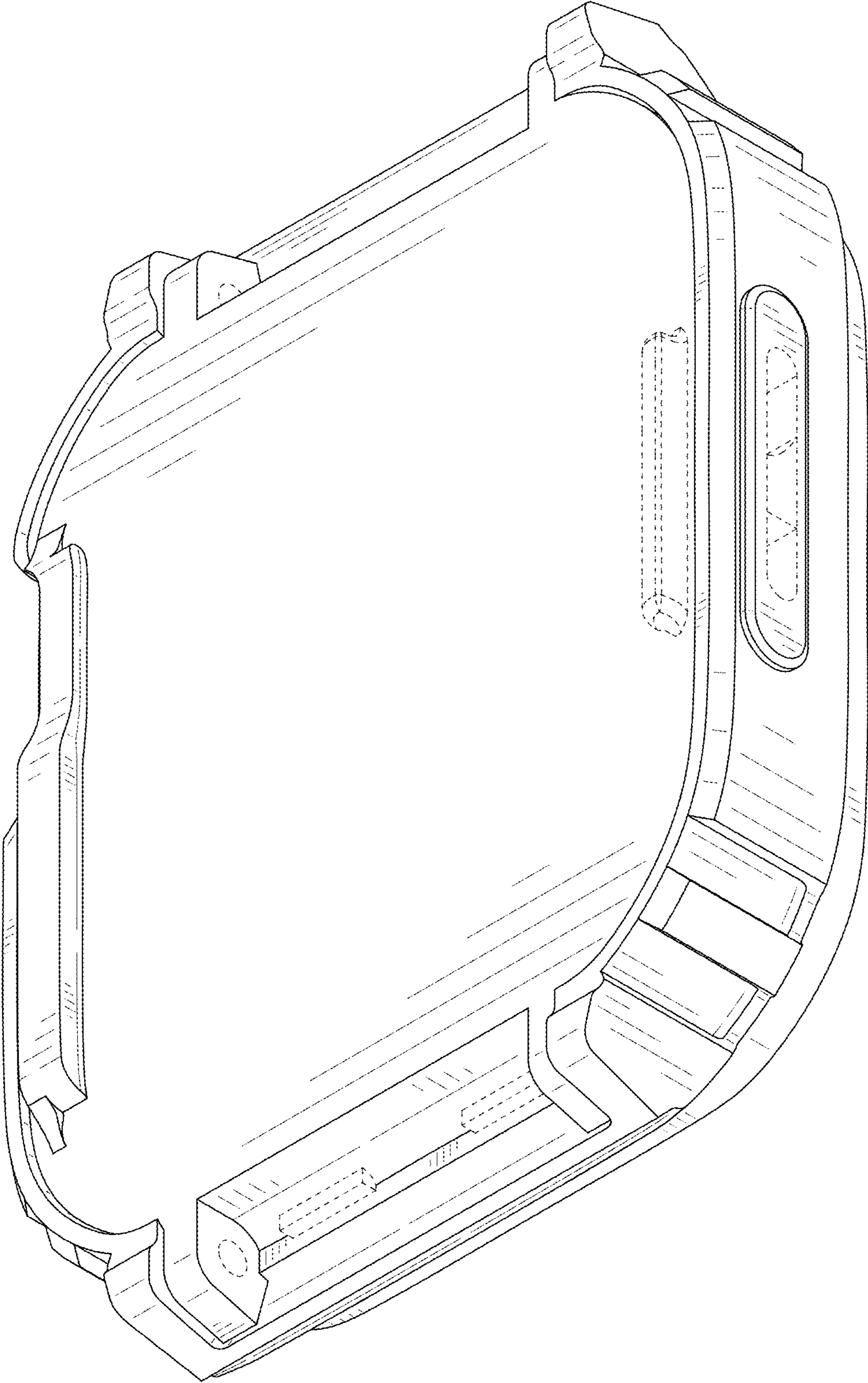


FIG. 2

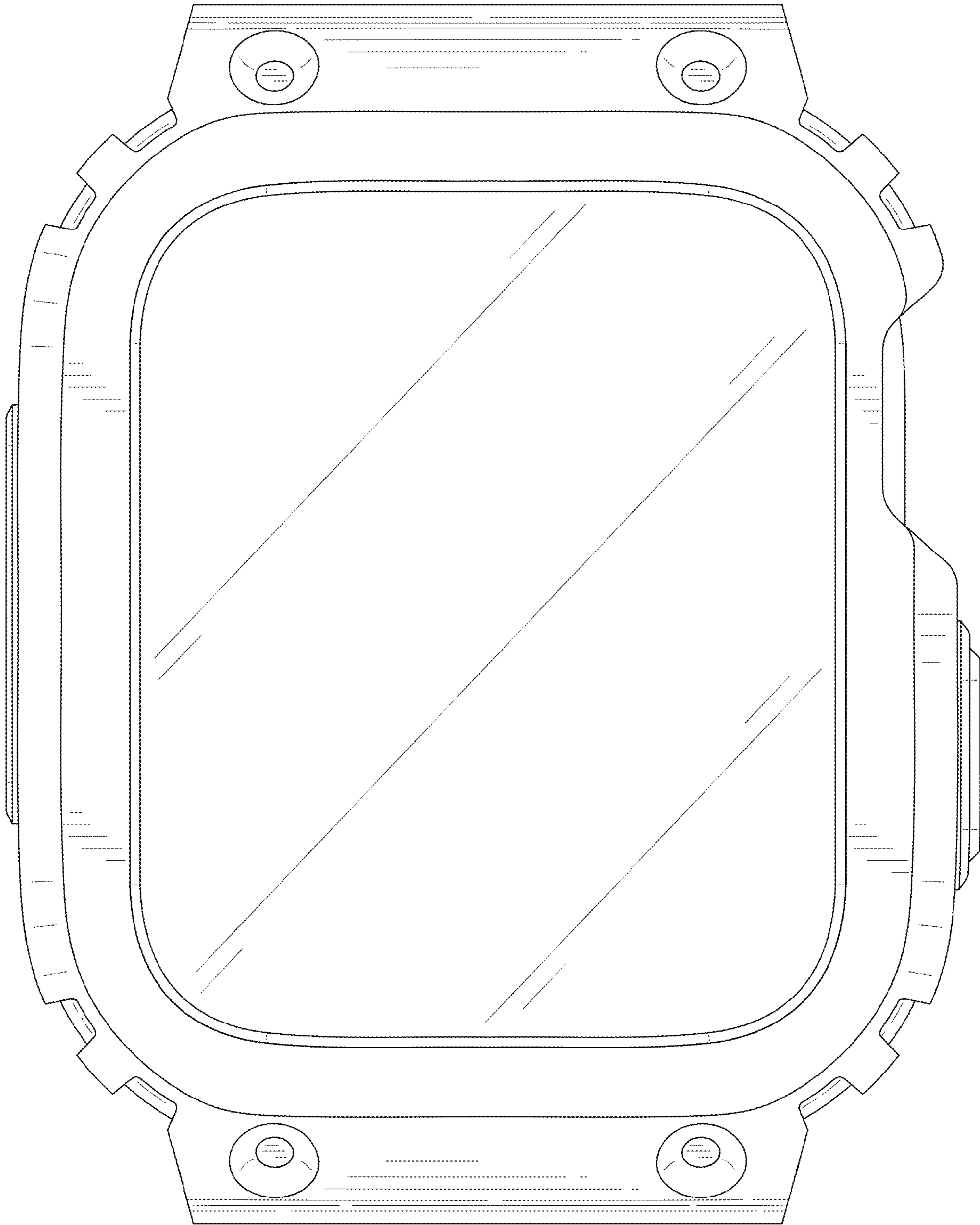


FIG. 3

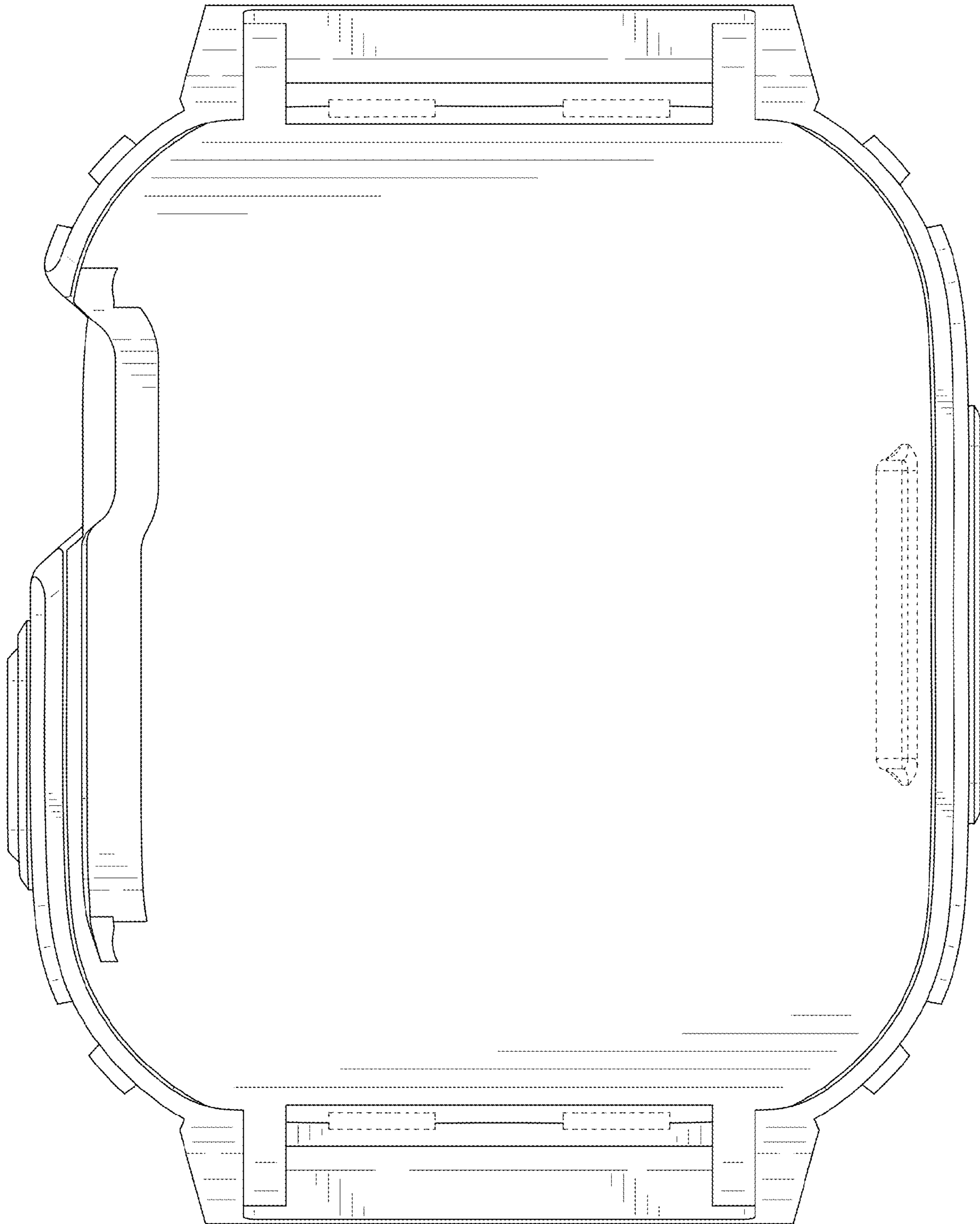


FIG. 4

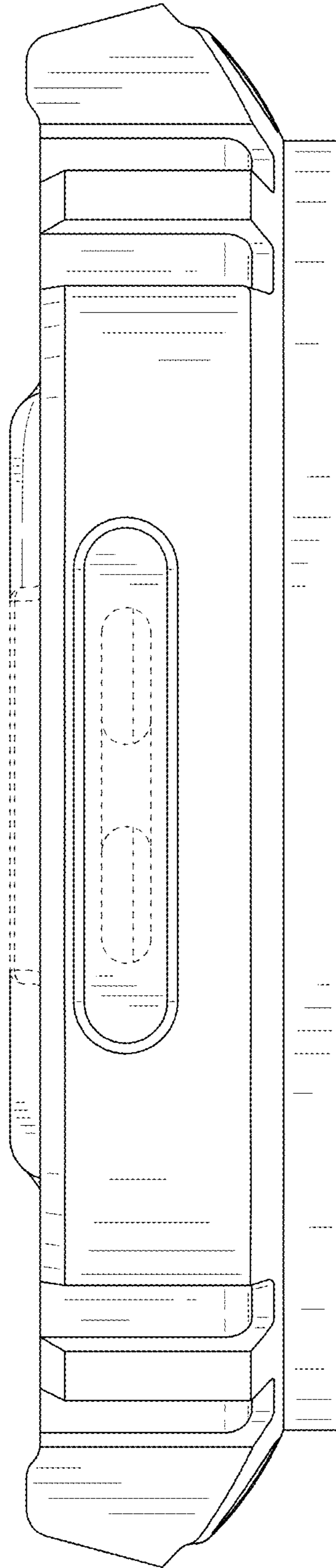


FIG. 5

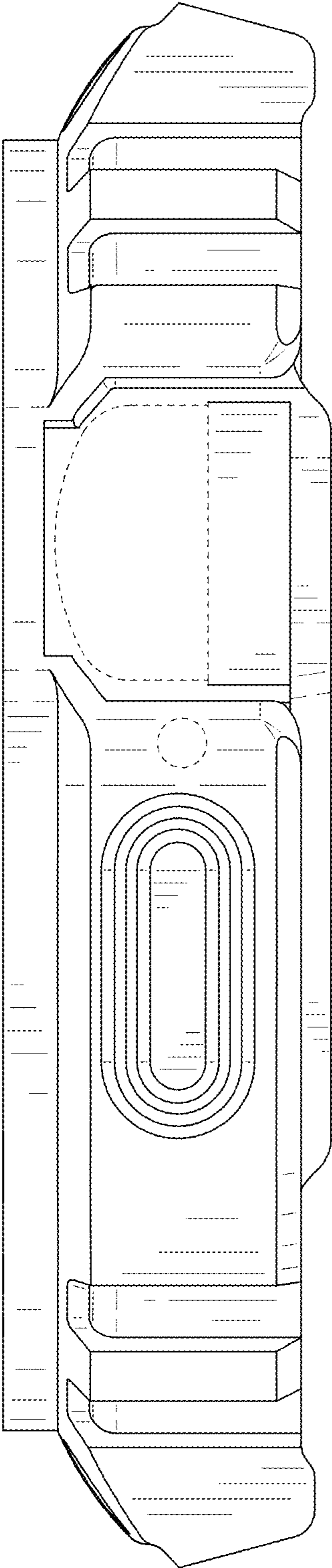


FIG. 6

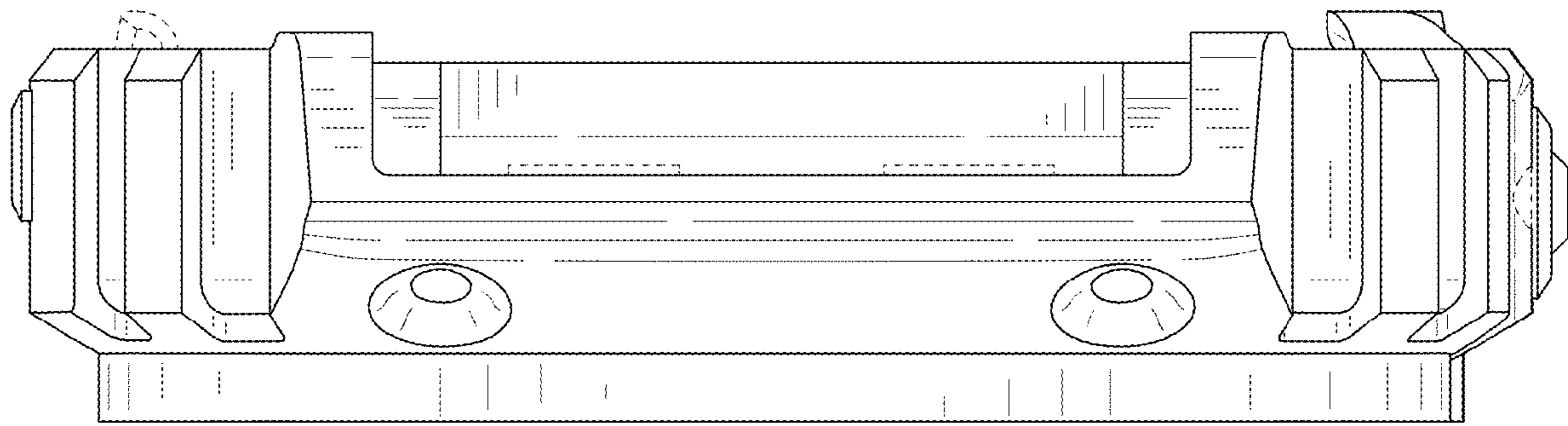


FIG. 7

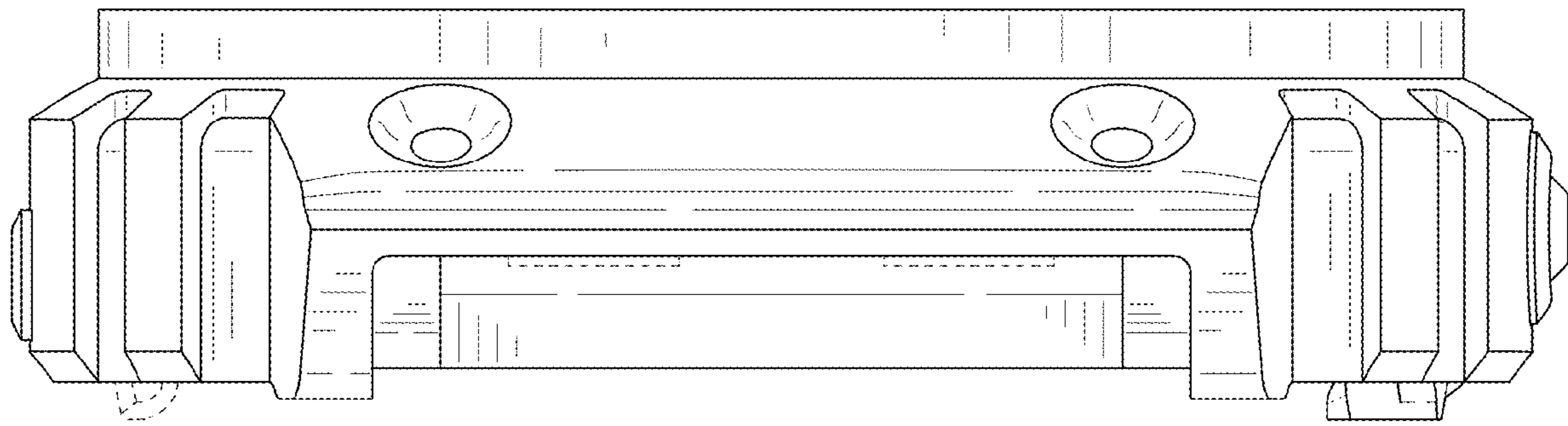


FIG. 8

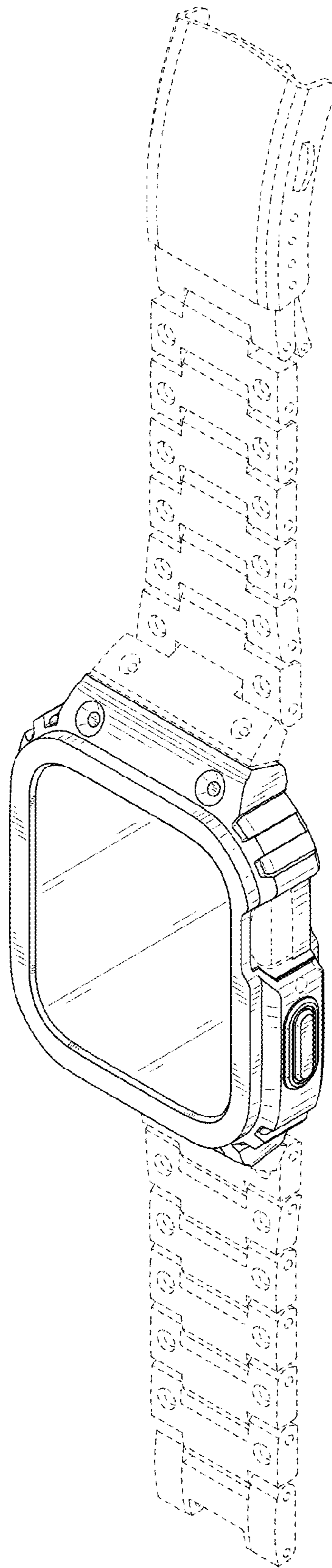


FIG. 9

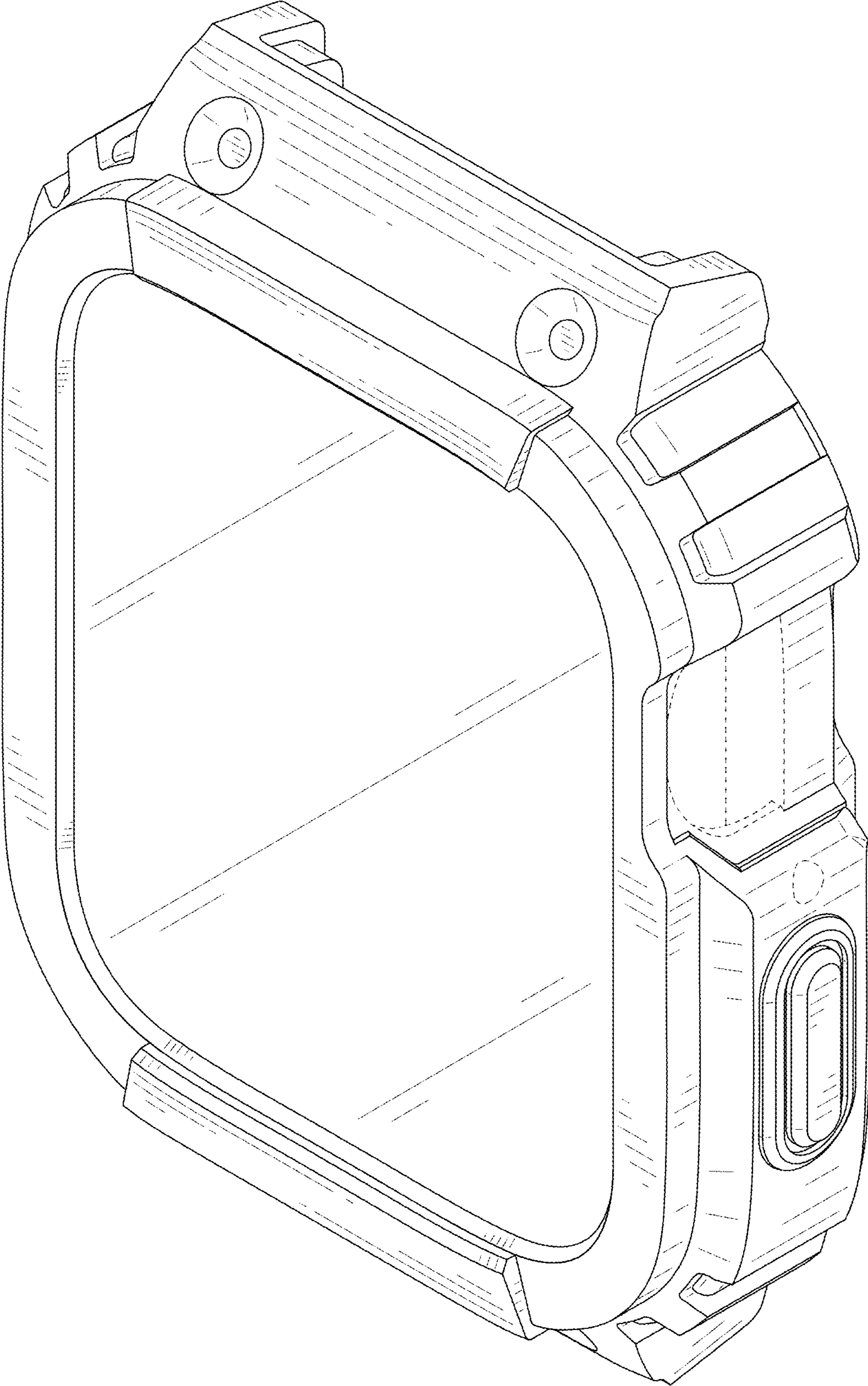


FIG. 10

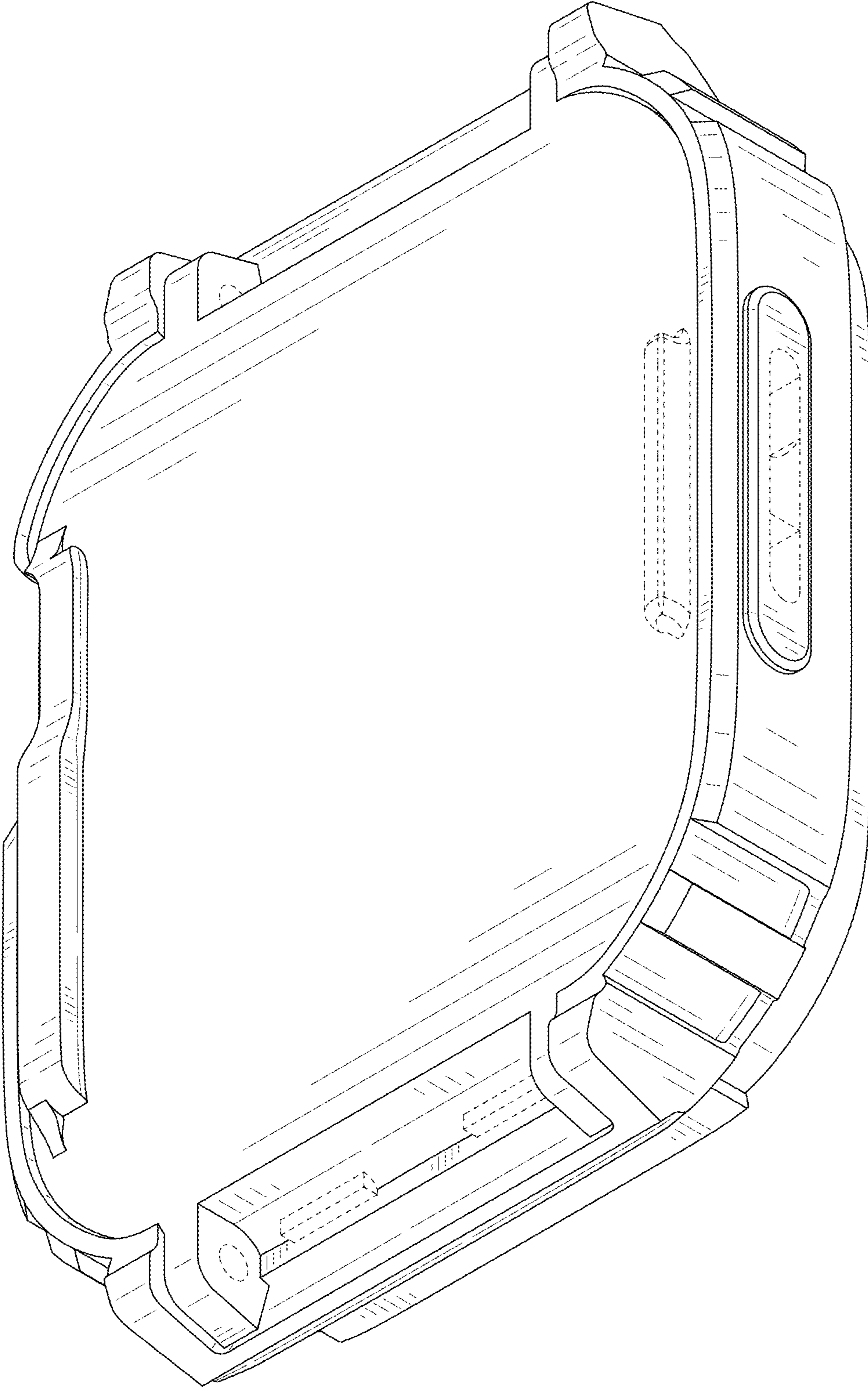


FIG. 11

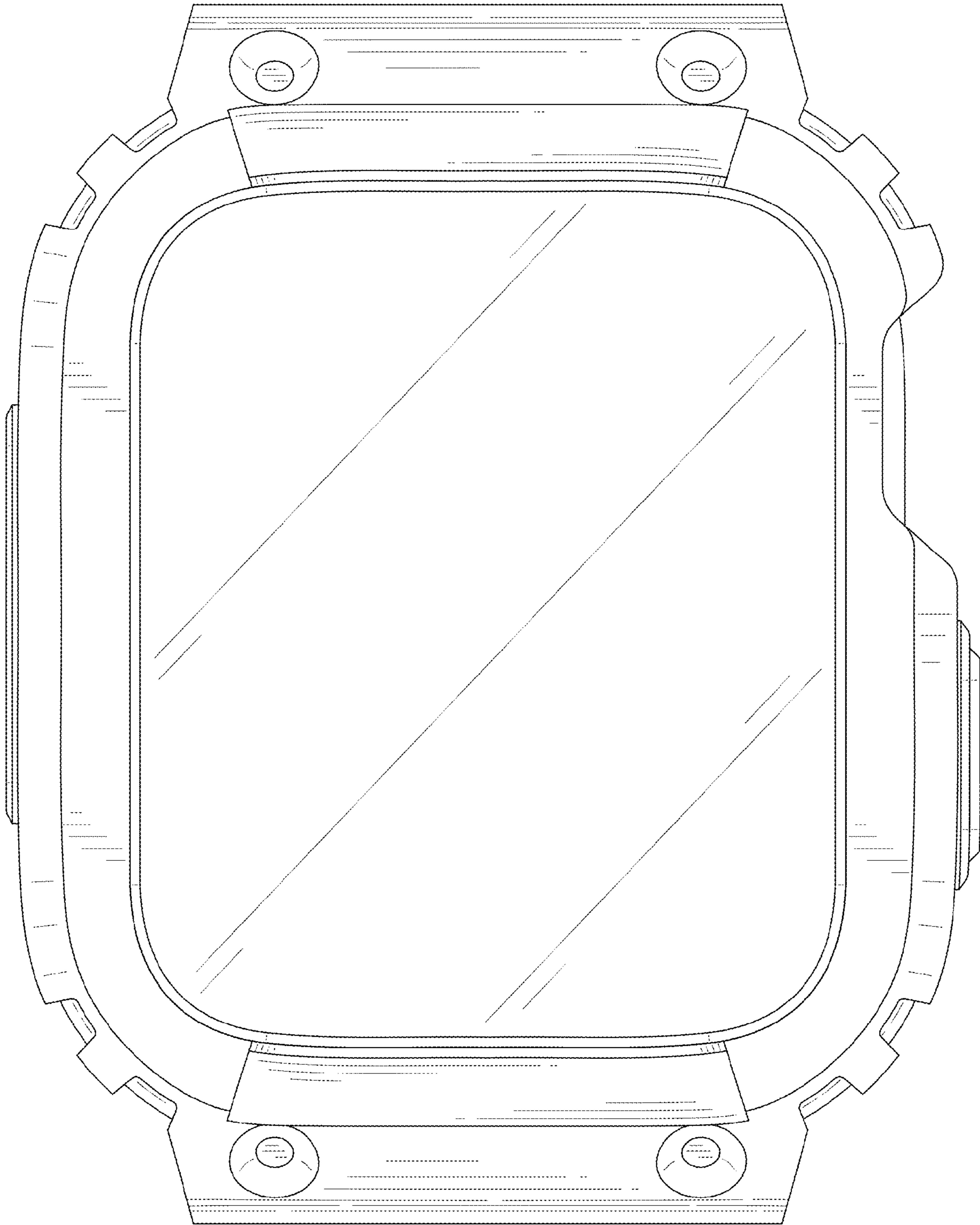


FIG. 12

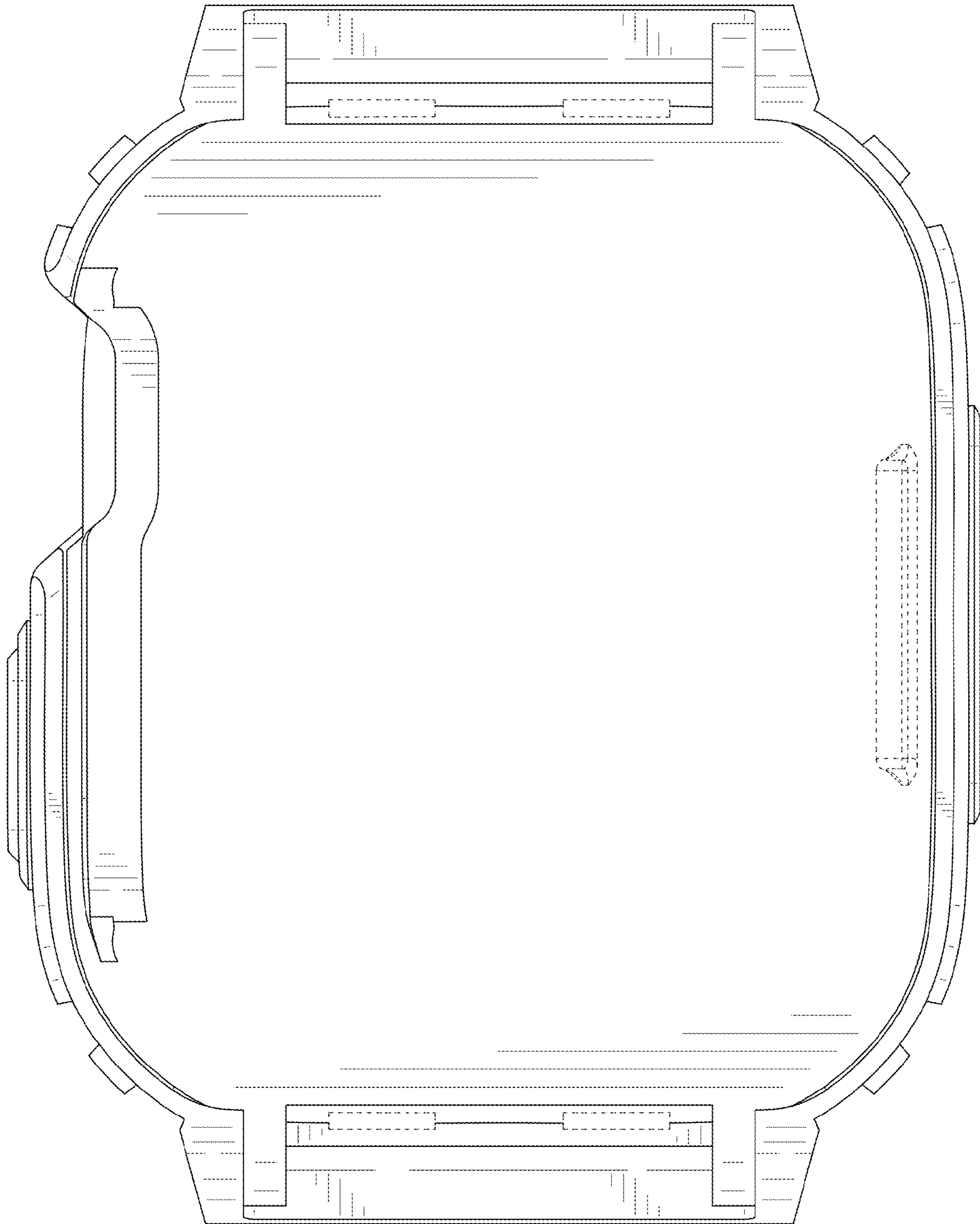


FIG. 13

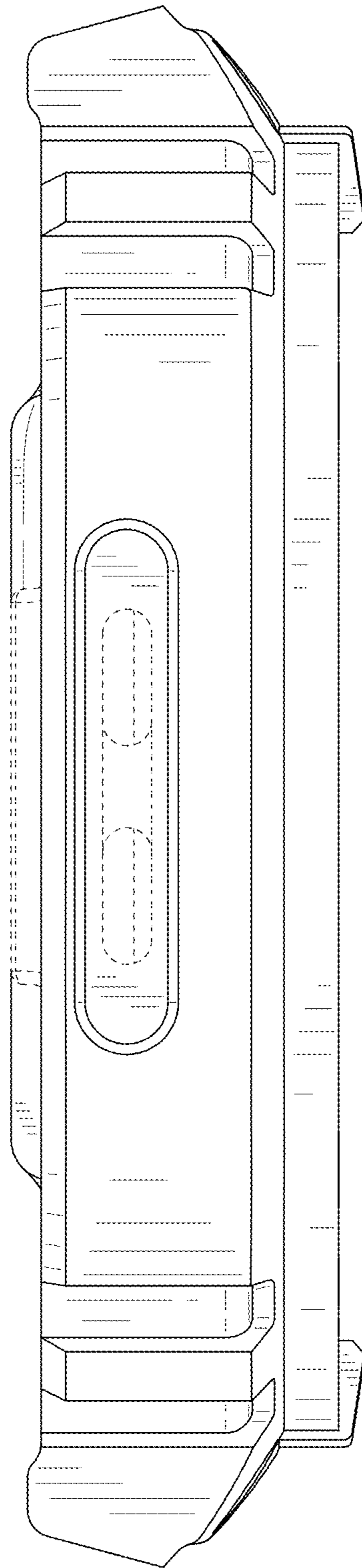


FIG. 14

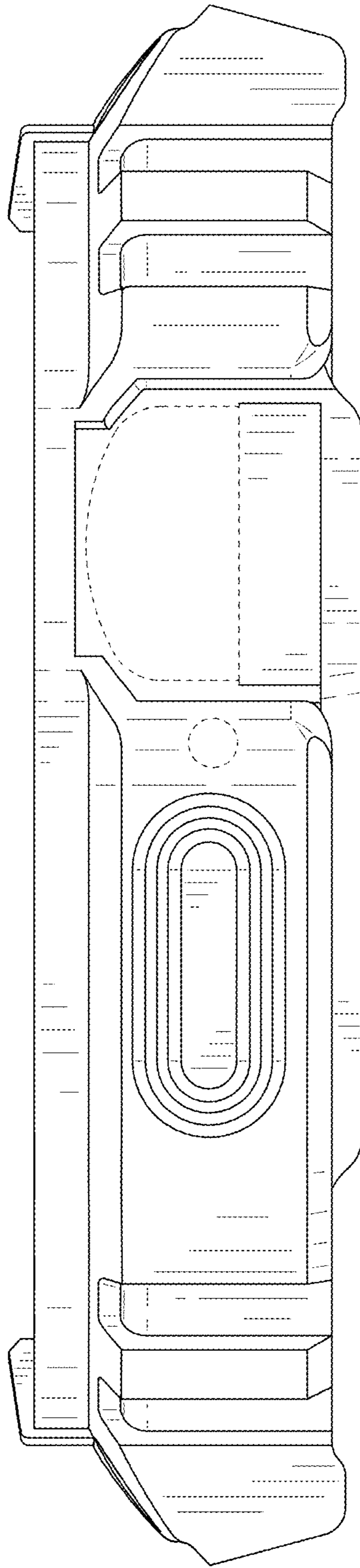


FIG. 15

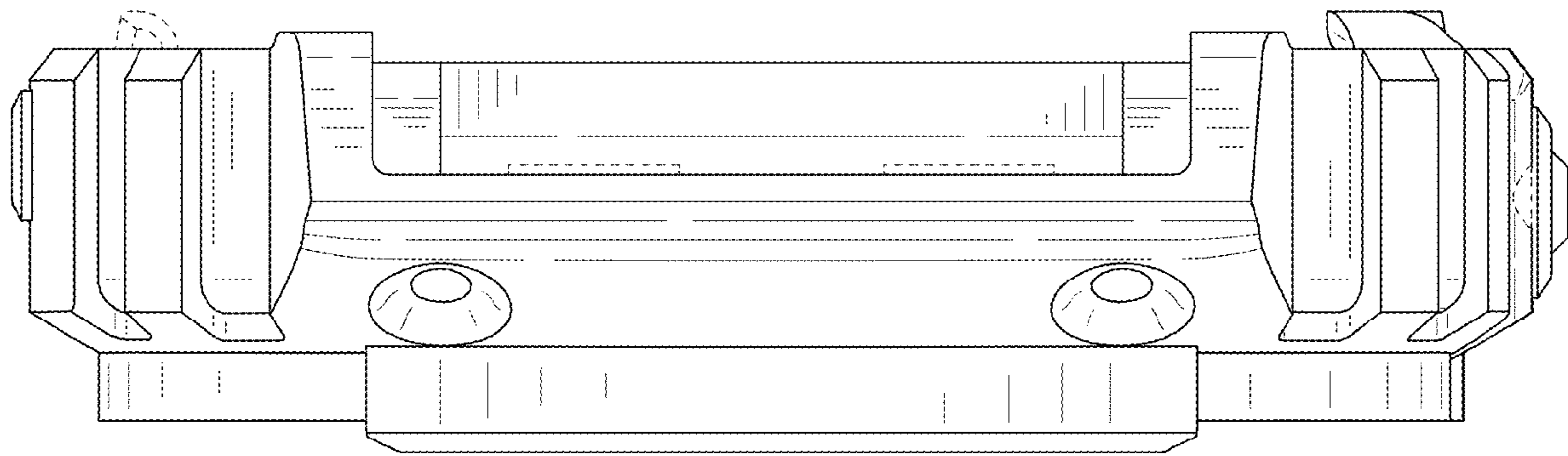


FIG. 16

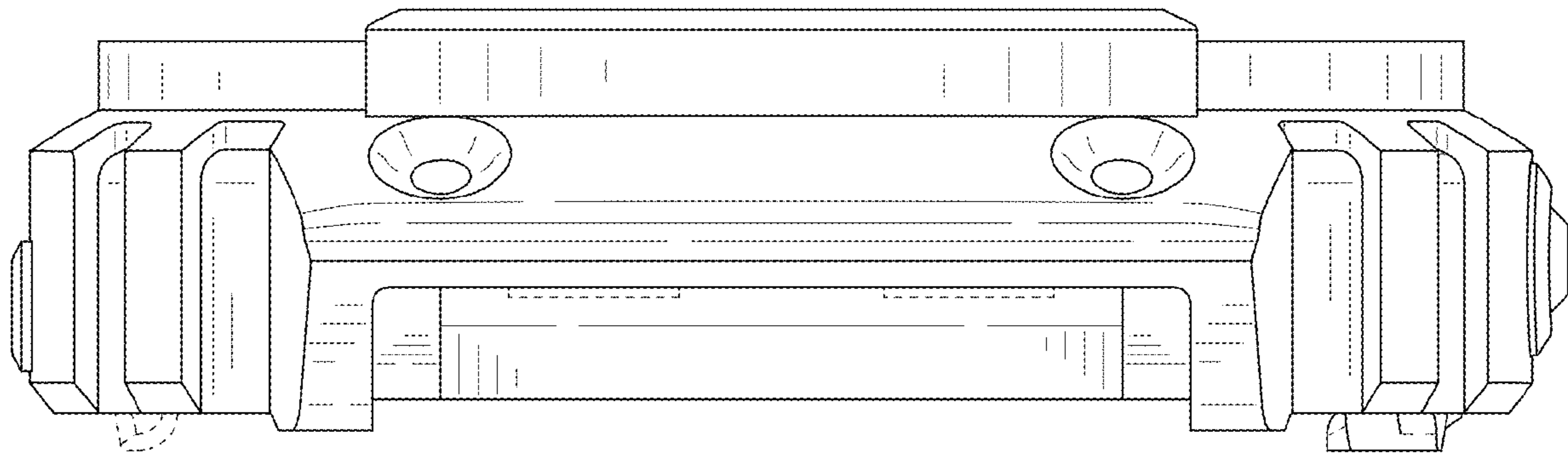


FIG. 17

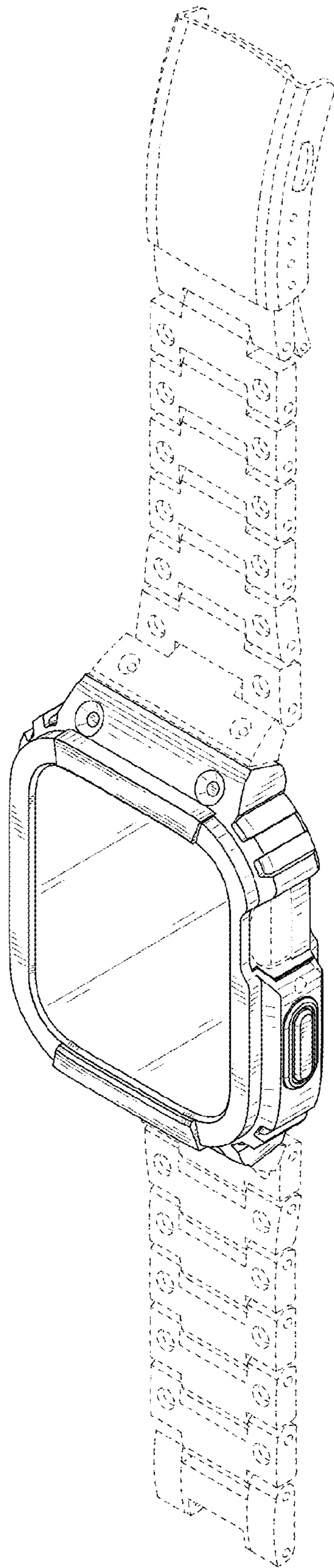


FIG. 18