



US00D965442S

(12) **United States Design Patent**
Peterson

(10) **Patent No.:** **US D965,442 S**
(45) **Date of Patent:** **** Oct. 4, 2022**

(54) **SHAVING RAZOR CARTRIDGE DISPENSER**

(71) Applicant: **The Gillette Company LLC**, Boston, MA (US)

(72) Inventor: **Mark Peterson**, Reading (GB)

(73) Assignee: **The Gillette Company LLC**, Boston, MA (US)

(**) Term: **15 Years**

(21) Appl. No.: **29/752,049**

(22) Filed: **Sep. 24, 2020**

(51) **LOC (13) Cl.** **09-03**

(52) **U.S. Cl.**
USPC **D9/749**

(58) **Field of Classification Search**
USPC D28/44-47, 51-54; D9/735-736, D9/748-749; D6/526; D3/201, 205
CPC B26B 19/38; B26B 19/3806; B26B 21/00; B26B 21/22; B26B 21/40; B26B 21/4012; B26B 21/4018; B26B 21/4037; B65D 75/322; B65D 75/366; B65D 75/367; A45D 27/00; A45D 27/225
See application file for complete search history.

(56) **References Cited**

U.S. PATENT DOCUMENTS

D256,996 S *	9/1980	Kiraly	D9/736
D256,997 S *	9/1980	Motta	D9/736
D312,568 S *	12/1990	Gray	D9/736
D316,962 S *	5/1991	Gray	D9/736
D366,611 S *	1/1996	Poisson	D9/736

D397,290 S *	8/1998	Petricca	D9/736
D398,522 S *	9/1998	Petricca	D9/736
D398,523 S *	9/1998	Petricca	D9/749
6,041,926 A *	3/2000	Petricca	B26B 21/521 30/40.2
D430,013 S *	8/2000	Shurtleff	D9/425
7,413,078 B2 *	8/2008	Fischer	A45D 27/225 206/477
D630,526 S *	1/2011	Wonderley	D9/749
D643,751 S *	8/2011	Wonderley	D9/749
9,526,312 B2 *	12/2016	Lee	B26B 21/24
D884,485 S *	5/2020	Zucker	D9/749
2015/0342319 A1 *	12/2015	Lee	B26B 21/24 206/354

* cited by examiner

Primary Examiner — Alison M Ofstun

(74) *Attorney, Agent, or Firm* — John M. Lipchitz

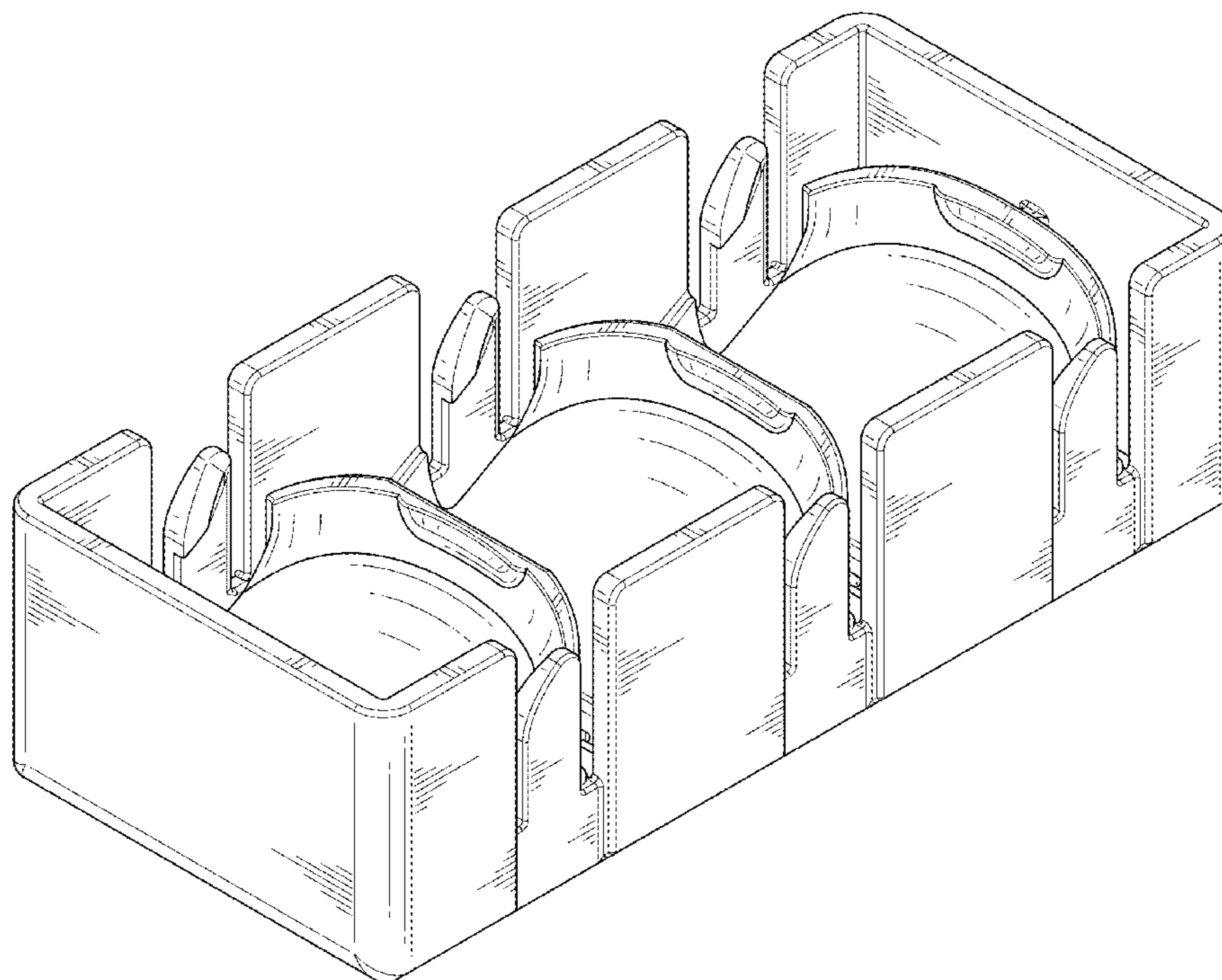
(57) **CLAIM**

The ornamental design for a shaving razor cartridge dispenser, as shown and described.

DESCRIPTION

FIG. 1 is a first top perspective view of a shaving razor cartridge dispenser, showing our new design;
FIG. 2 is a front view thereof;
FIG. 3 is a back view thereof;
FIG. 4 is a right side view thereof;
FIG. 5 is a left side view thereof;
FIG. 6 is a top view thereof;
FIG. 7 is a bottom view thereof;
FIG. 8 is a first bottom perspective view thereof;
FIG. 9 is a second top perspective view thereof; and,
FIG. 10 is a second top perspective view thereof.

1 Claim, 9 Drawing Sheets



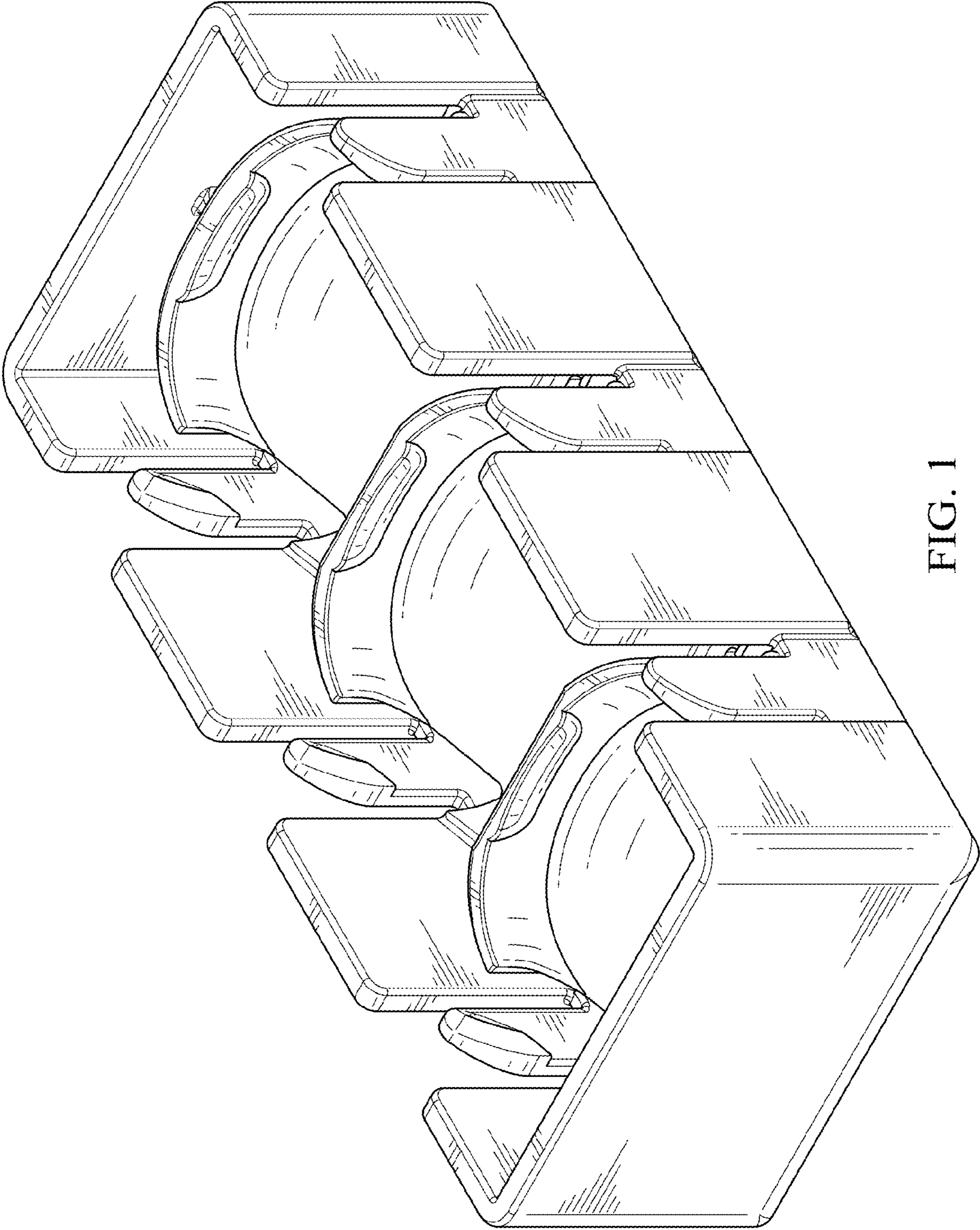


FIG. 1

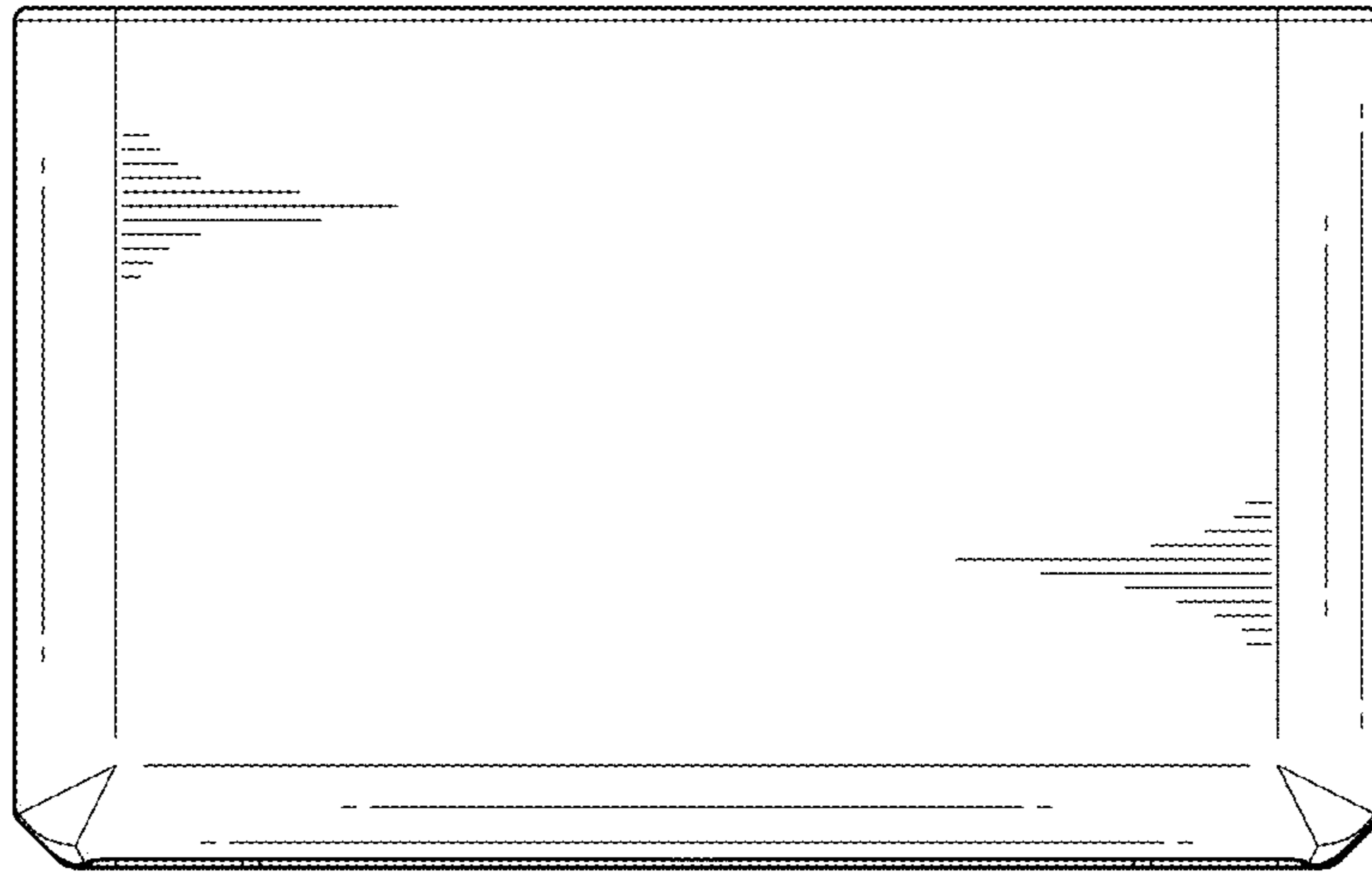


FIG. 2

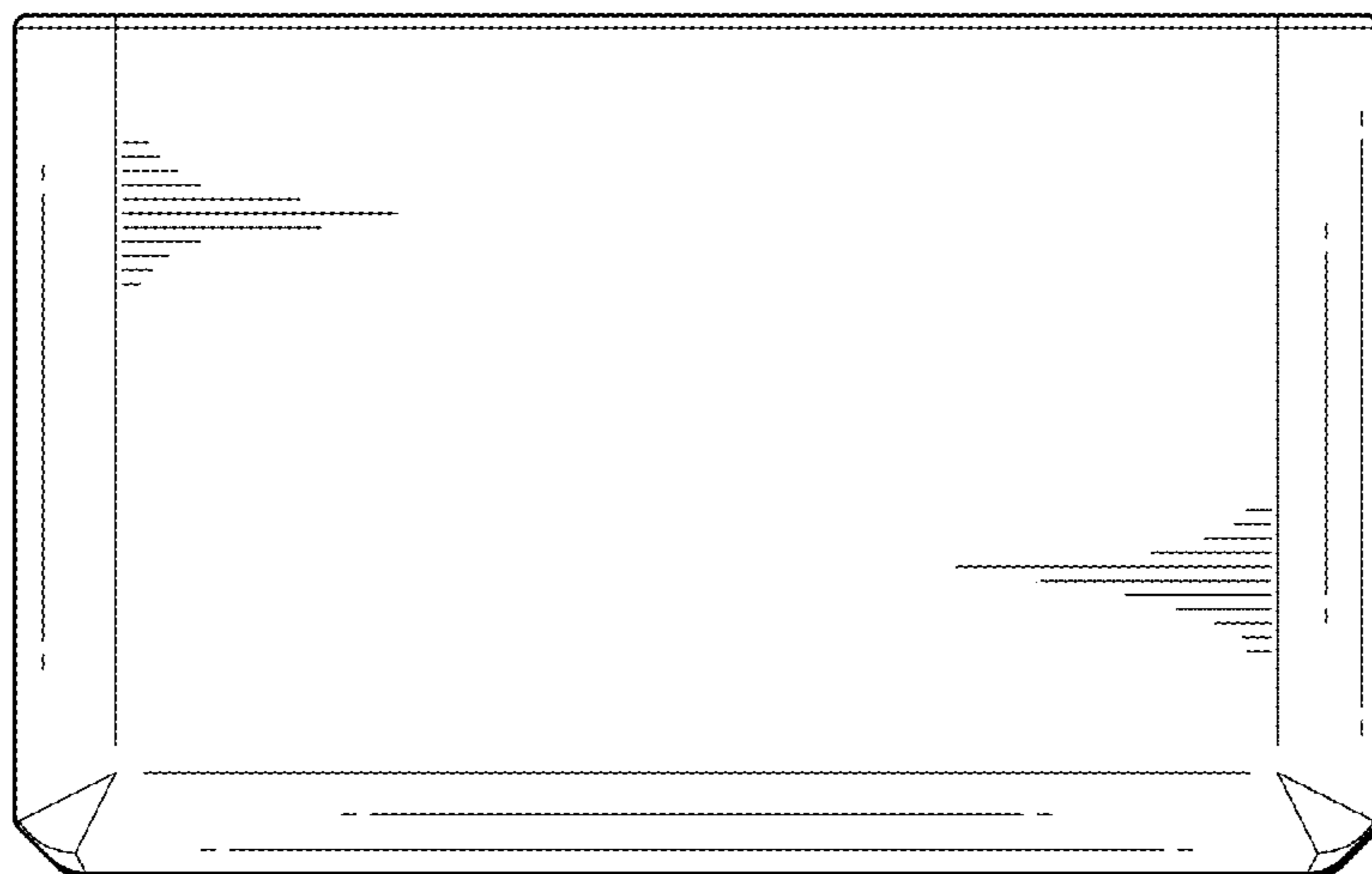


FIG. 3

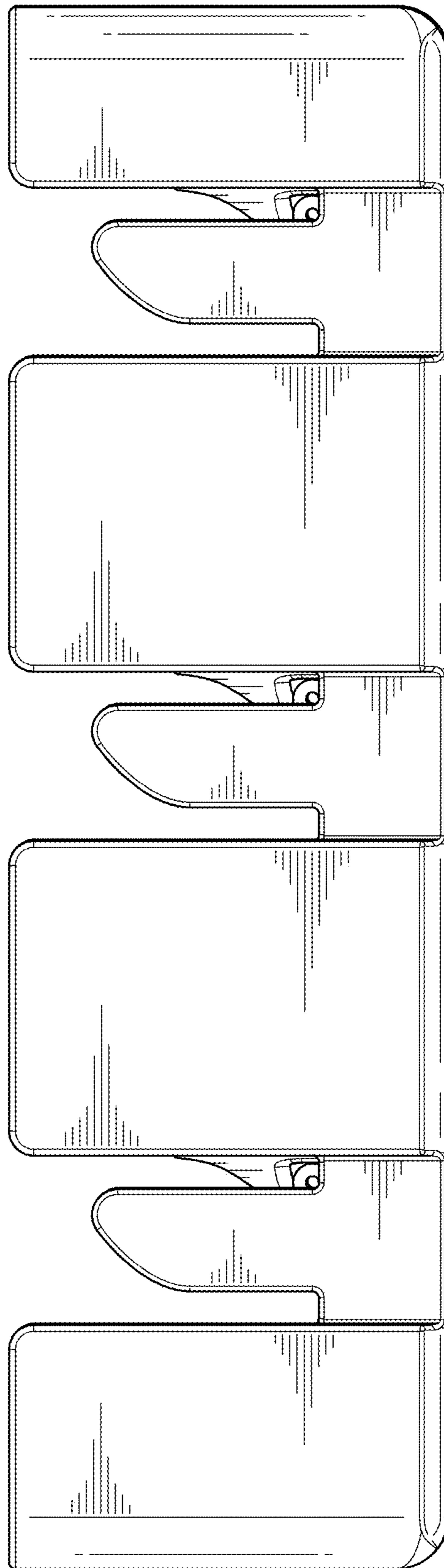


FIG. 4

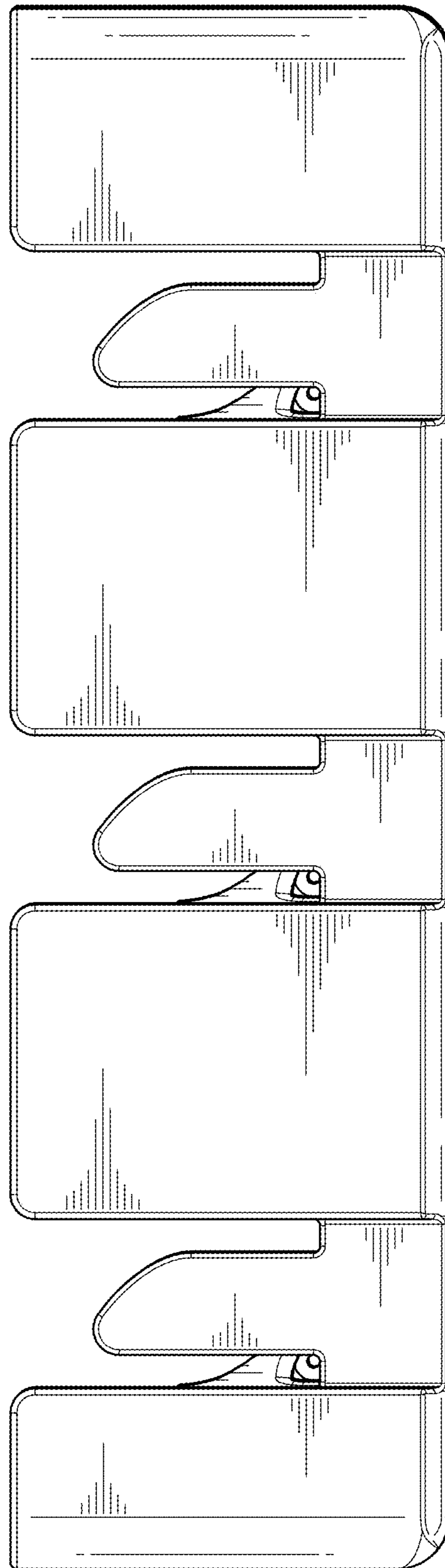


FIG. 5

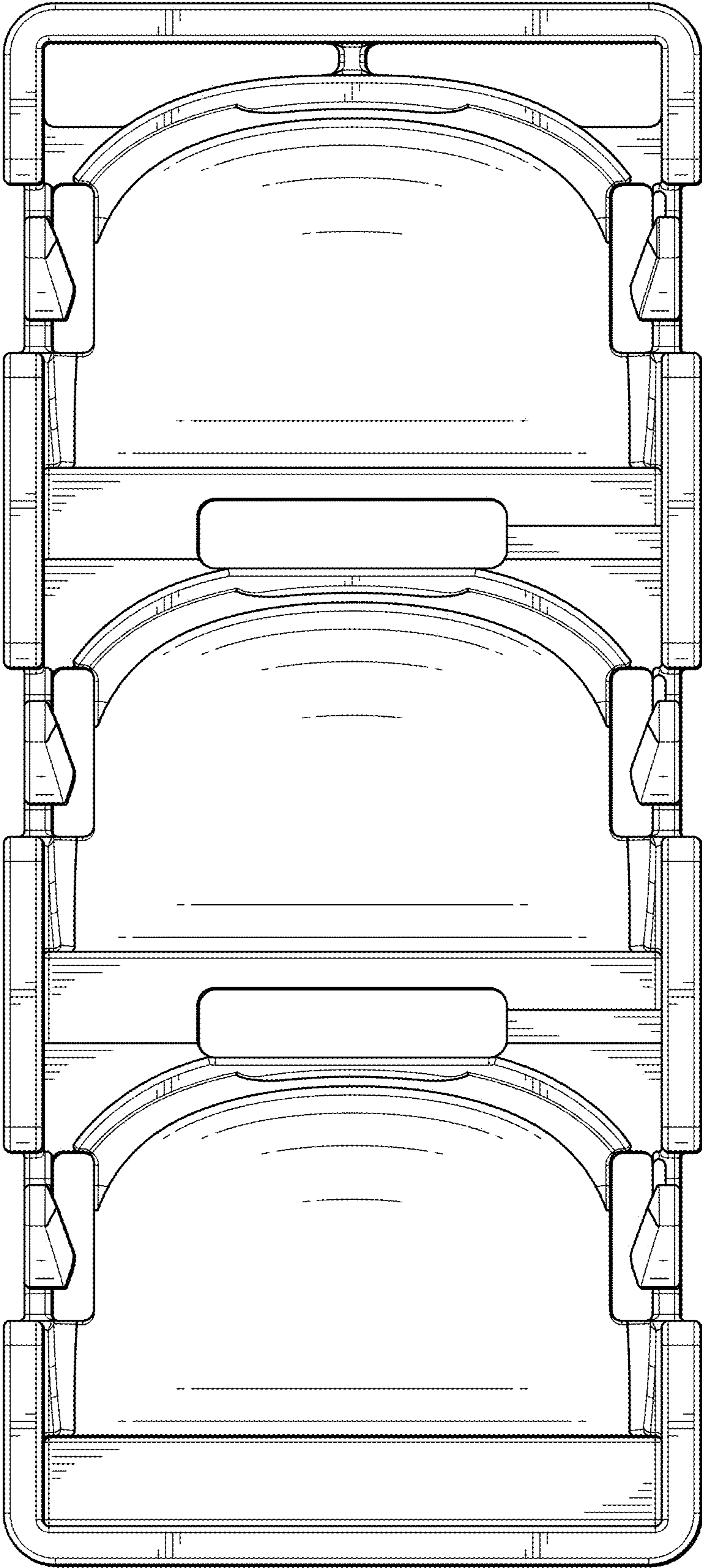


FIG. 6

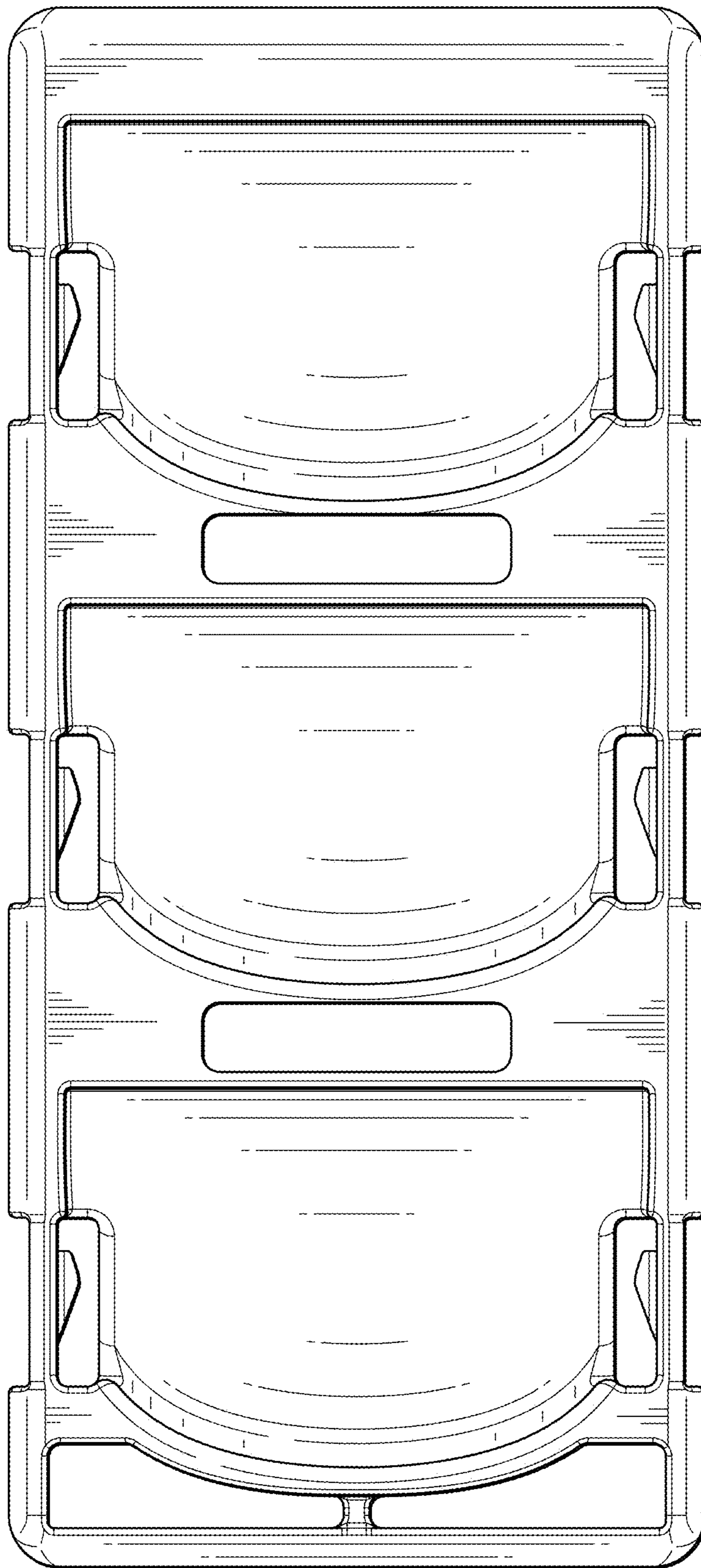


FIG. 7

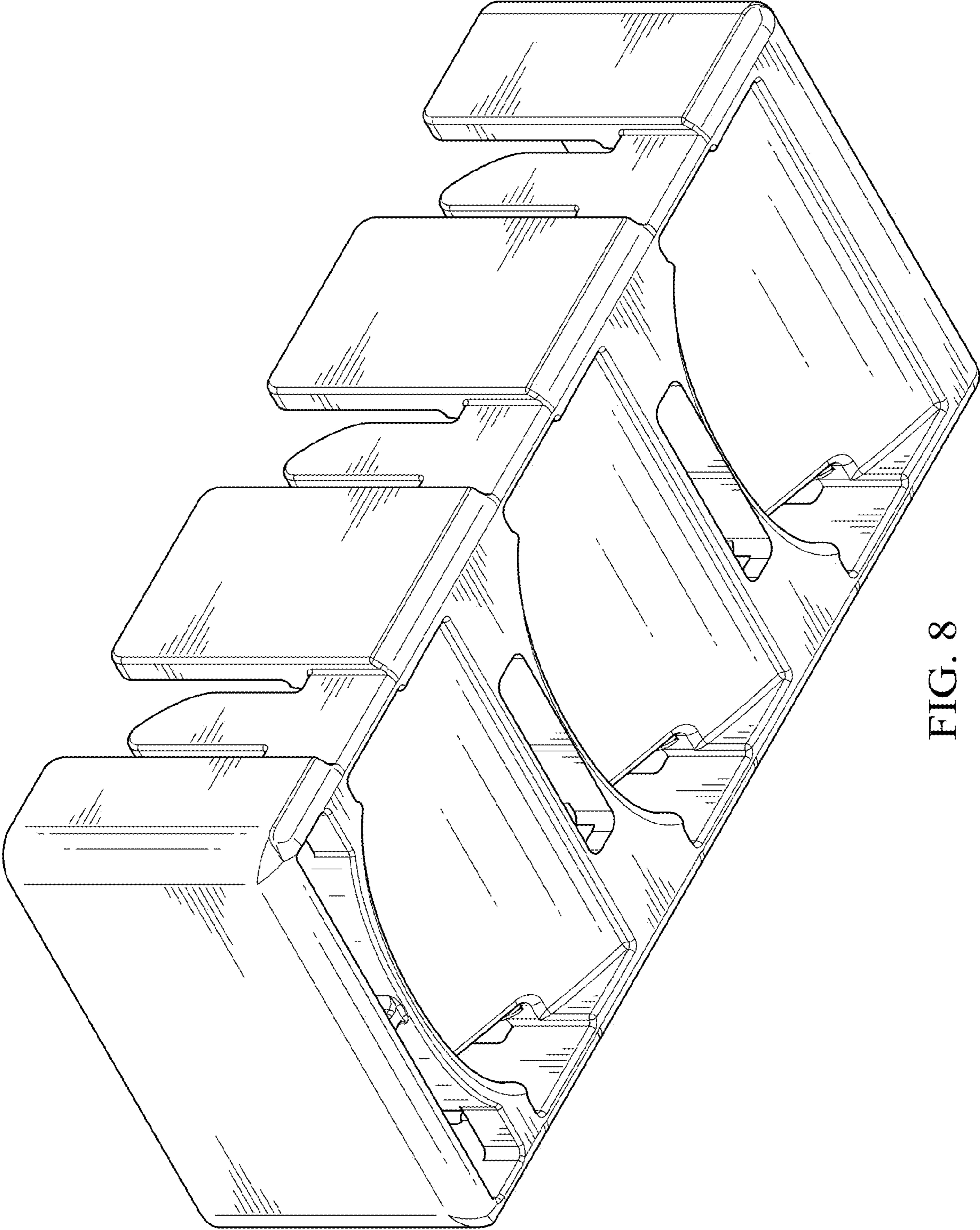


FIG. 8

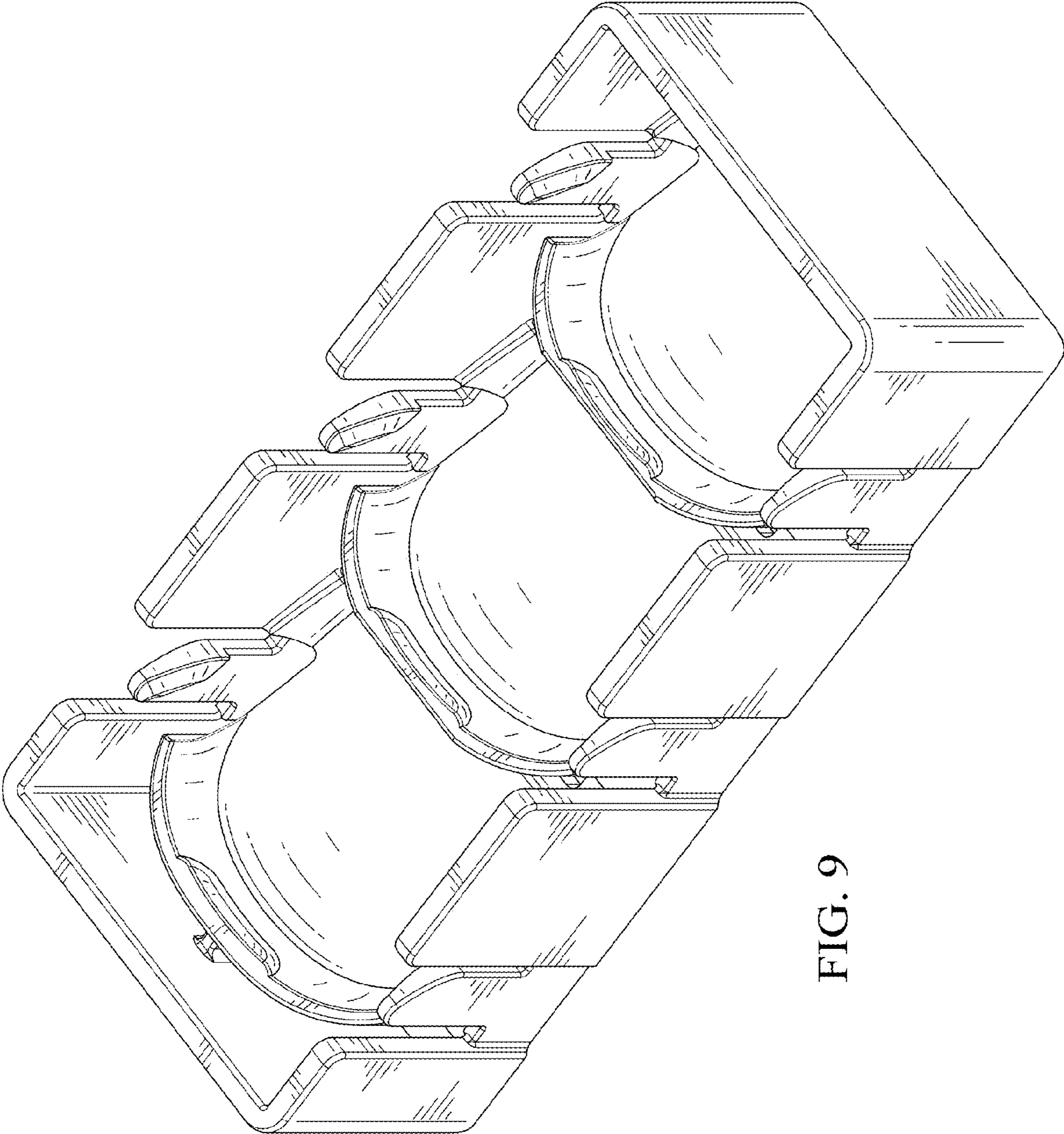


FIG. 9

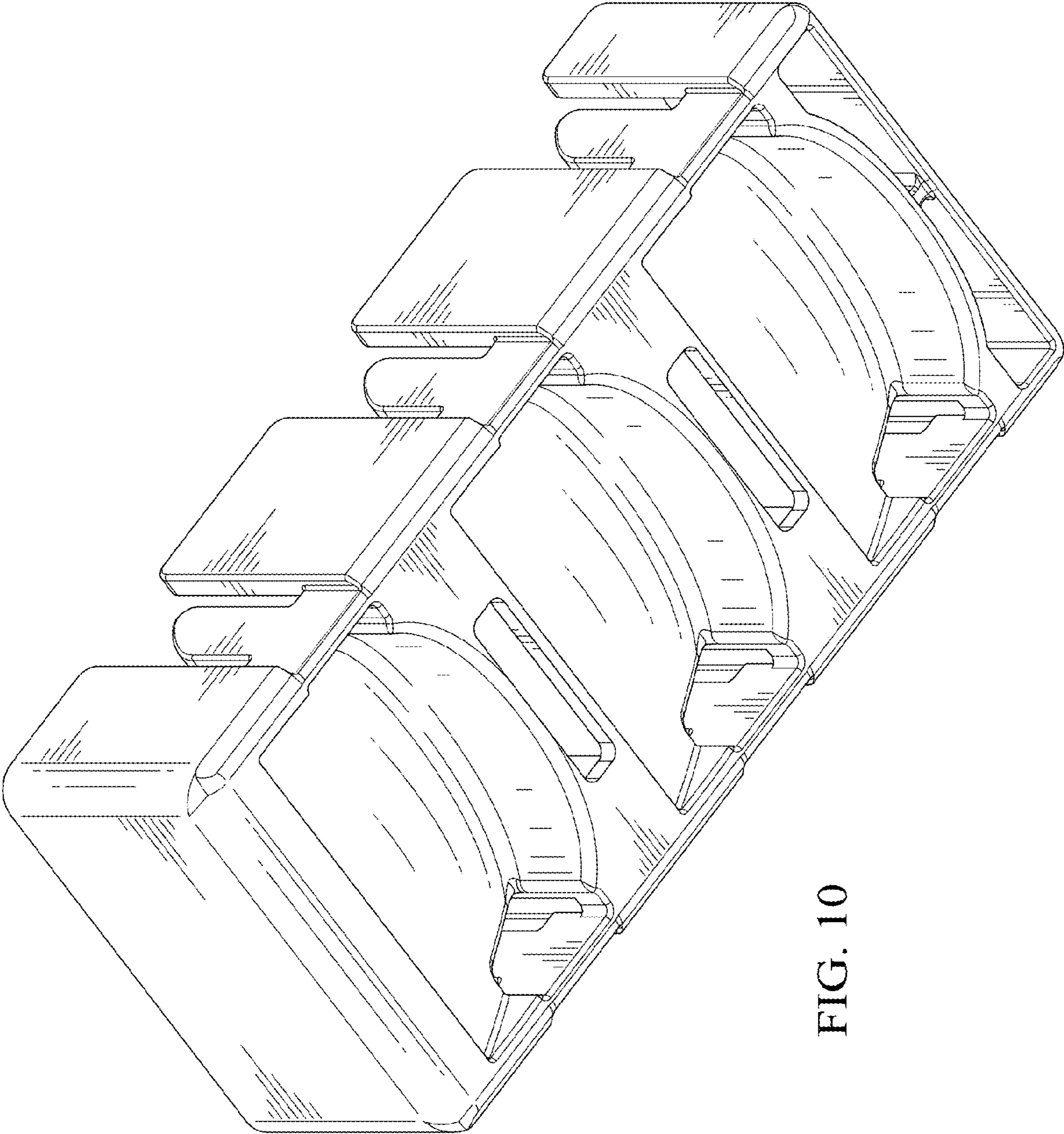


FIG. 10