



US00D965441S

(12) **United States Design Patent**
Baranes et al.

(10) **Patent No.:** **US D965,441 S**

(45) **Date of Patent:** **** Oct. 4, 2022**

(54) **JAR**
(71) Applicant: **BARALAN INTERNATIONAL S.p.a.**,
Trezzano sul Naviglio (IT)
(72) Inventors: **Roland Baranes**, Trezzano sul Naviglio
(IT); **Domenico De Cicco**, Trezzano sul
Naviglio (IT)
(73) Assignee: **BARALAN INTERNATIONAL S.p.a.**,
Trezzano sul Naviglio (IT)
(**) Term: **15 Years**

D393,798 S * 4/1998 Joswick D9/425
D513,983 S * 1/2006 Erdie D9/439
D578,891 S * 10/2008 Canamasas Puigbo D9/500
D608,084 S * 1/2010 Anson D3/203.3
D641,257 S * 7/2011 Thiebaut D9/738
D718,092 S * 11/2014 Lion D7/555
D746,627 S * 1/2016 Puigbo D9/503
D795,705 S * 8/2017 Huang D9/738
D802,836 S * 11/2017 Ghiotti D27/186
D803,687 S * 11/2017 Fernandez D9/738
D834,366 S * 11/2018 Ulanski D7/391
2016/0176576 A1 * 6/2016 Schreiber B65D 25/04
220/523
2017/0202342 A1 * 7/2017 Won A45D 40/24
2018/0201410 A1 * 7/2018 Harvey B65D 25/04

(21) Appl. No.: **29/660,058**

* cited by examiner

(22) Filed: **Aug. 16, 2018**

Primary Examiner — W. A. Teddy Falloway

(30) **Foreign Application Priority Data**

(74) *Attorney, Agent, or Firm* — Merchant & Gould P.C.

Feb. 16, 2018 (EM) 004710721

(51) **LOC (13) Cl.** **09-01**

(57) **CLAIM**

(52) **U.S. Cl.**
USPC **D9/738**

The ornamental design for a jar, as shown and described.

(58) **Field of Classification Search**
USPC D9/738, 741, 743, 756, 549, 456;
D7/541, 546, 549, 553.1, 553.6, 553.7,
D7/555, 701, 703; D28/76-84
CPC B65D 25/04; B65D 71/00; A45D 40/0068;
A45D 40/24; A45D 33/00; A45D 33/003
See application file for complete search history.

DESCRIPTION

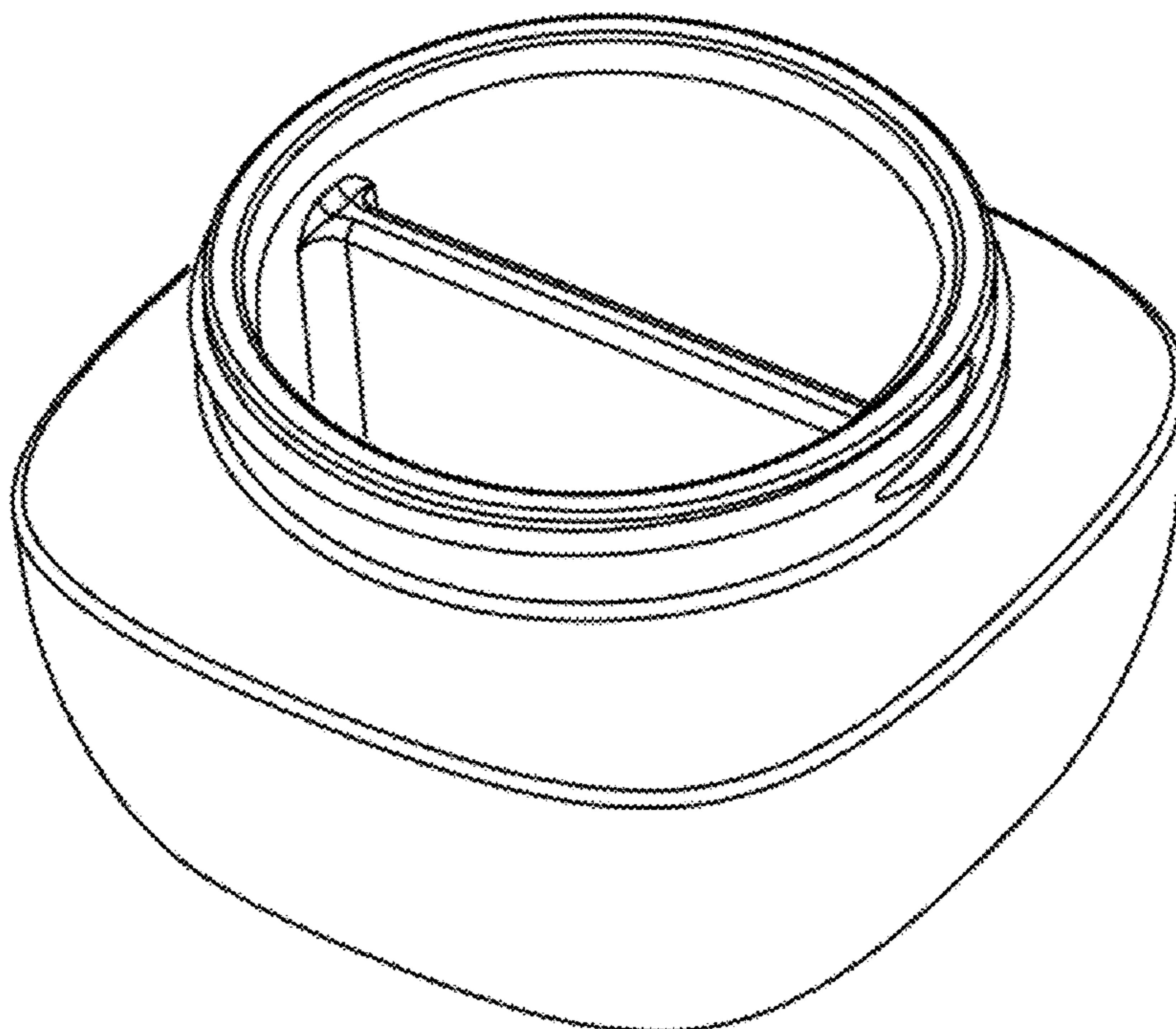
FIG. 1 is a perspective view of a jar according to the principles of the present invention;
FIG. 2 is a front elevational view thereof;
FIG. 3 is a right side elevational view thereof; and,
FIG. 4 is a top plan view thereof.

(56) **References Cited**

U.S. PATENT DOCUMENTS

1 Claim, 1 Drawing Sheet

D72,249 S * 3/1927 Orzo D28/76



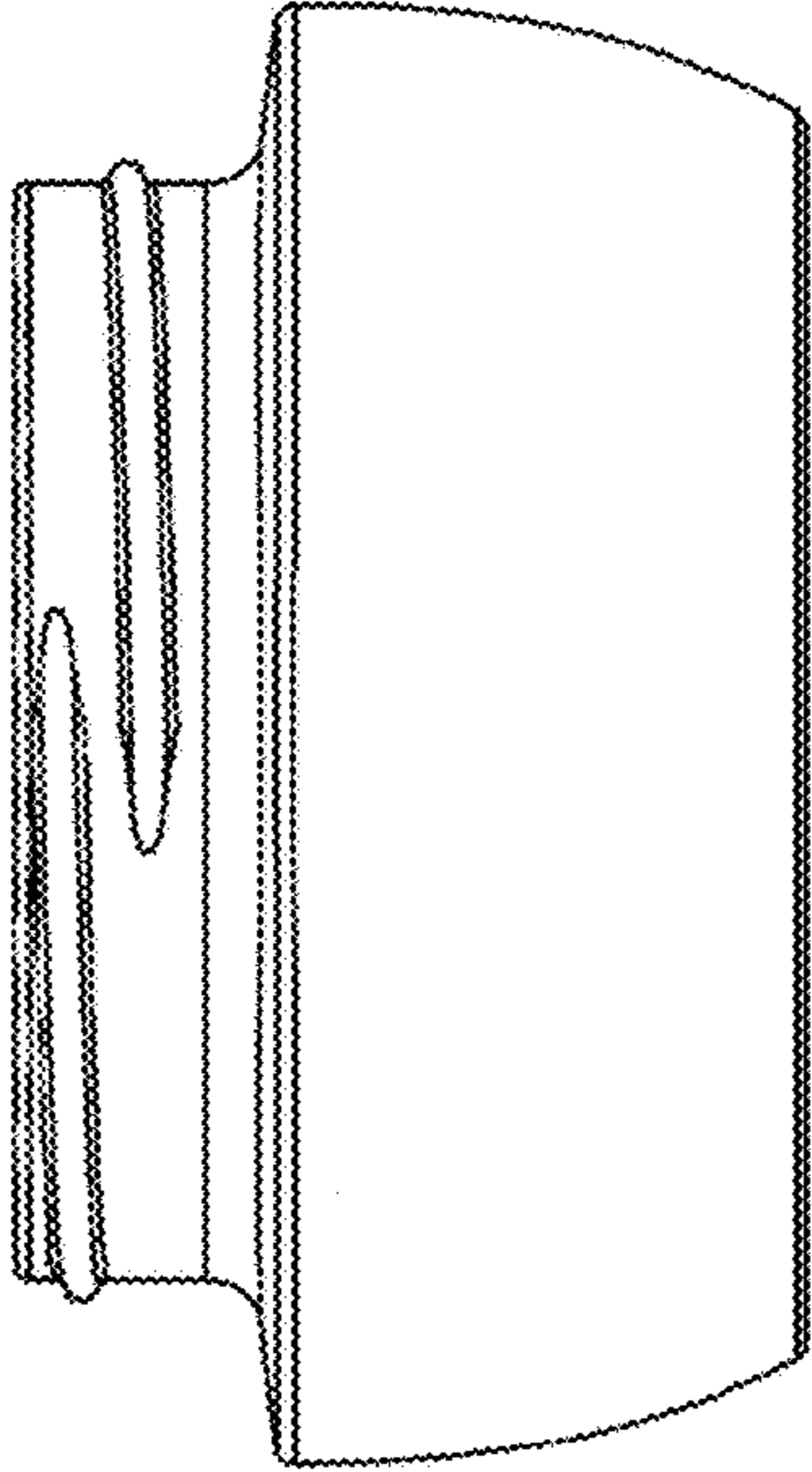


FIG. 3

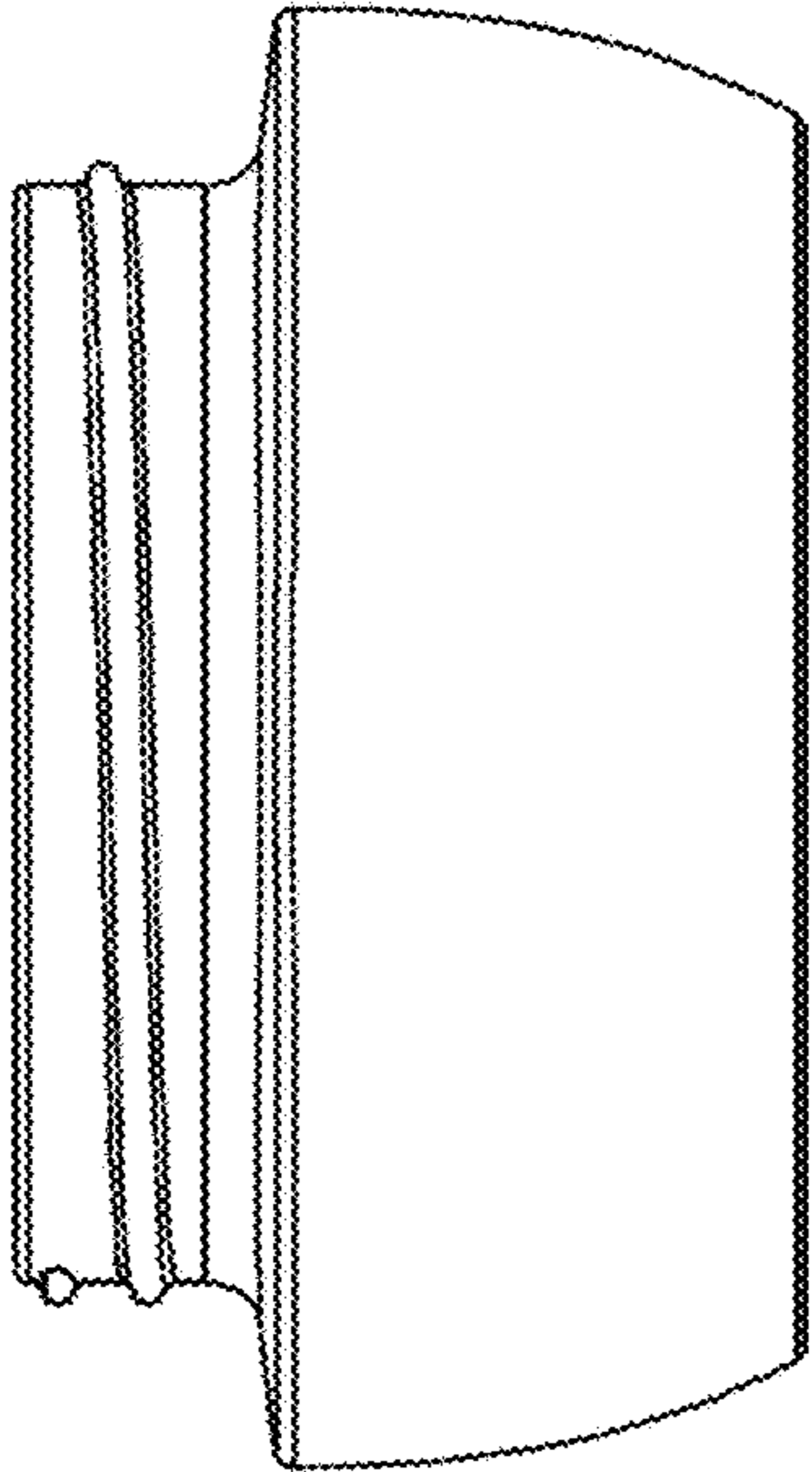


FIG. 2

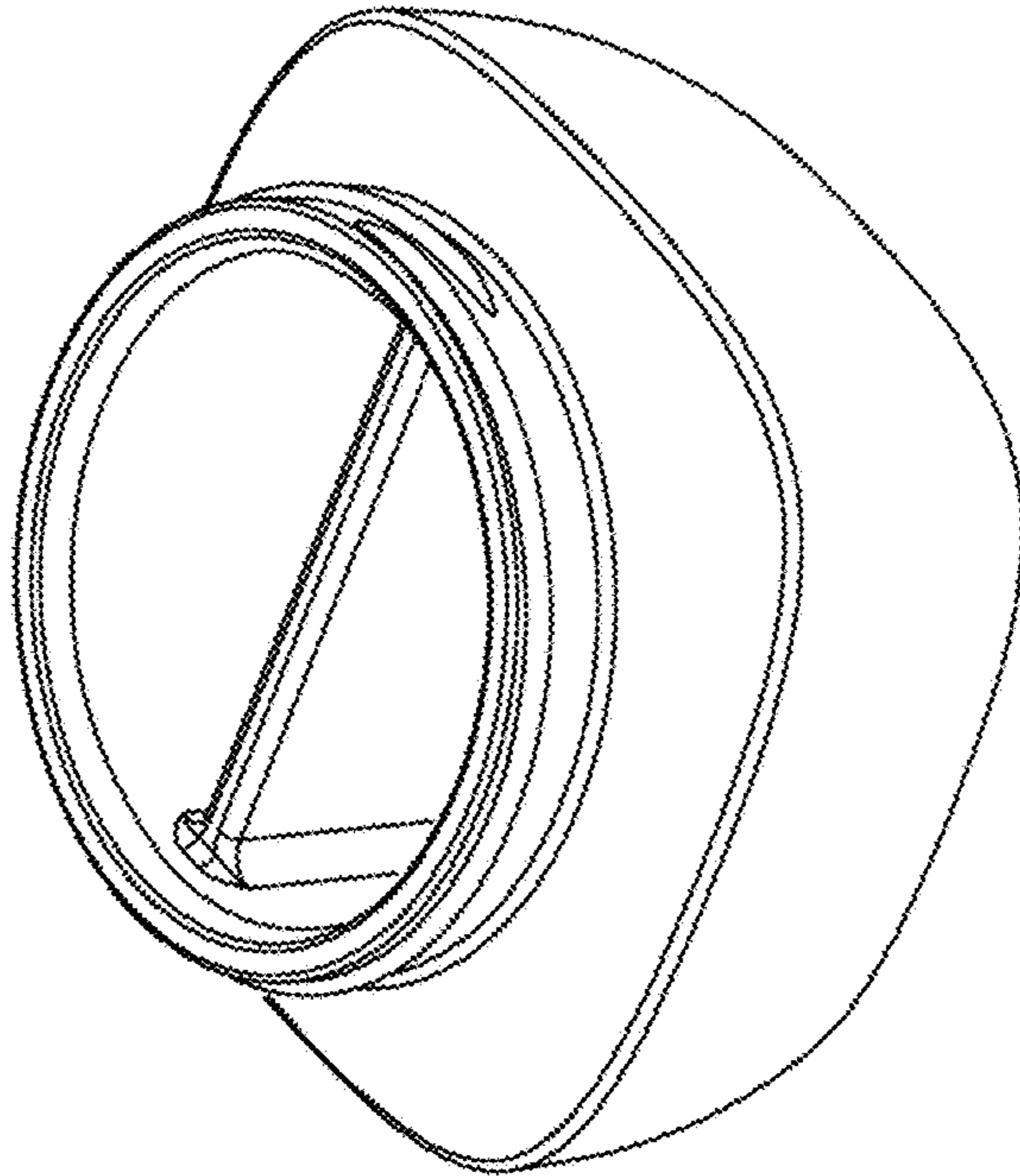


FIG. 1

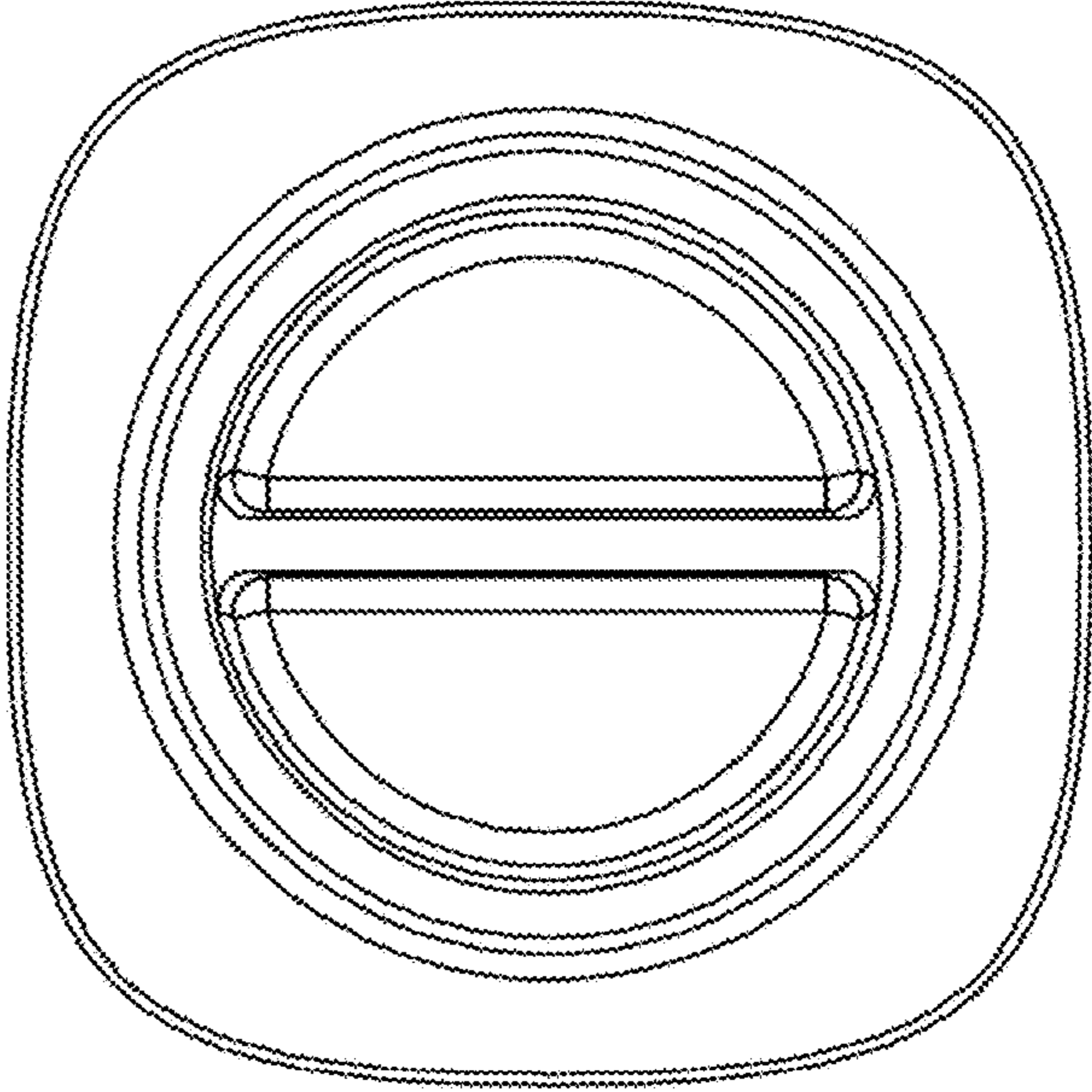


FIG. 4