



US00D965437S

(12) **United States Design Patent**
Giraudo

(10) **Patent No.:** **US D965,437 S**

(45) **Date of Patent:** **** Oct. 4, 2022**

(54) **MEZCAL BOTTLE**

(71) Applicant: **OAX Original Inc.**, Brooklyn, NY
(US)

(72) Inventor: **Laura Giraudo**, Brooklyn, NY (US)

(73) Assignee: **OAX ORIGINAL INC.**, Brooklyn, NY
(US)

(**) Term: **15 Years**

(21) Appl. No.: **29/719,040**

(22) Filed: **Dec. 31, 2019**

(51) **LOC (13) Cl.** **09-01**

(52) **U.S. Cl.**
USPC **D9/561**

(58) **Field of Classification Search**
USPC D9/516, 530, 536, 537, 539-541, 543,
D9/549-558, 563-568, 573-575,
D9/559-561, 682-690, 544, 569;
D7/523, 530
CPC B65D 1/0223; B65D 1/02
See application file for complete search history.

(56) **References Cited**

U.S. PATENT DOCUMENTS

D11,864 S *	7/1880	Lahey	D9/561
D50,011 S *	12/1916	Bell	D9/561
D105,396 S *	7/1937	McIntosh	D9/560
D191,650 S *	10/1961	Kruck	D9/686
D222,823 S *	1/1972	Newman	D9/687
D222,824 S *	1/1972	Newman	D9/687
D222,825 S *	1/1972	Newman	D9/687
D236,685 S *	9/1975	Tripp	D9/561
D321,930 S *	11/1991	Dinand	D9/561
D361,038 S *	8/1995	Klappet	D9/561
D361,262 S *	8/1995	Lusker	D9/561
D374,614 S *	10/1996	Uhl	D9/686
D459,650 S *	7/2002	Gagnon	D9/687
D489,271 S *	5/2004	Soomar	D9/572

D496,286 S *	9/2004	Krunas	D9/561
D497,038 S *	10/2004	Tsai	D9/561
D500,448 S *	1/2005	Krunas	D9/544
D555,877 S *	11/2007	Reinoso	D9/687
D598,780 S *	8/2009	Thorman	D9/530
D624,432 S *	9/2010	Fox	D9/561
D695,620 S *	12/2013	Karekar	D9/561
D740,680 S *	10/2015	Christian	D9/561
D848,695 S *	5/2019	Tornaben	D32/42
D891,934 S *	8/2020	Patel	D9/559

(Continued)

OTHER PUBLICATIONS

Oax Original, Nov. 4, 2019, OAX Original Facebook Post, URL: <https://www.facebook.com/oaxoriginal/photos/100341421424111> (Year: 2019).*

Primary Examiner — Brett Miller

Assistant Examiner — Rani J Abdallah

(74) *Attorney, Agent, or Firm* — Dunlap Bennett & Ludwig, PLLC

(57) **CLAIM**

The ornamental design for a mezcal bottle, as shown and described.

DESCRIPTION

FIG. 1 is a top perspective view of a mezcal bottle, showing my new design;

FIG. 2 is a front elevation view thereof;

FIG. 3 is rear elevation view thereof;

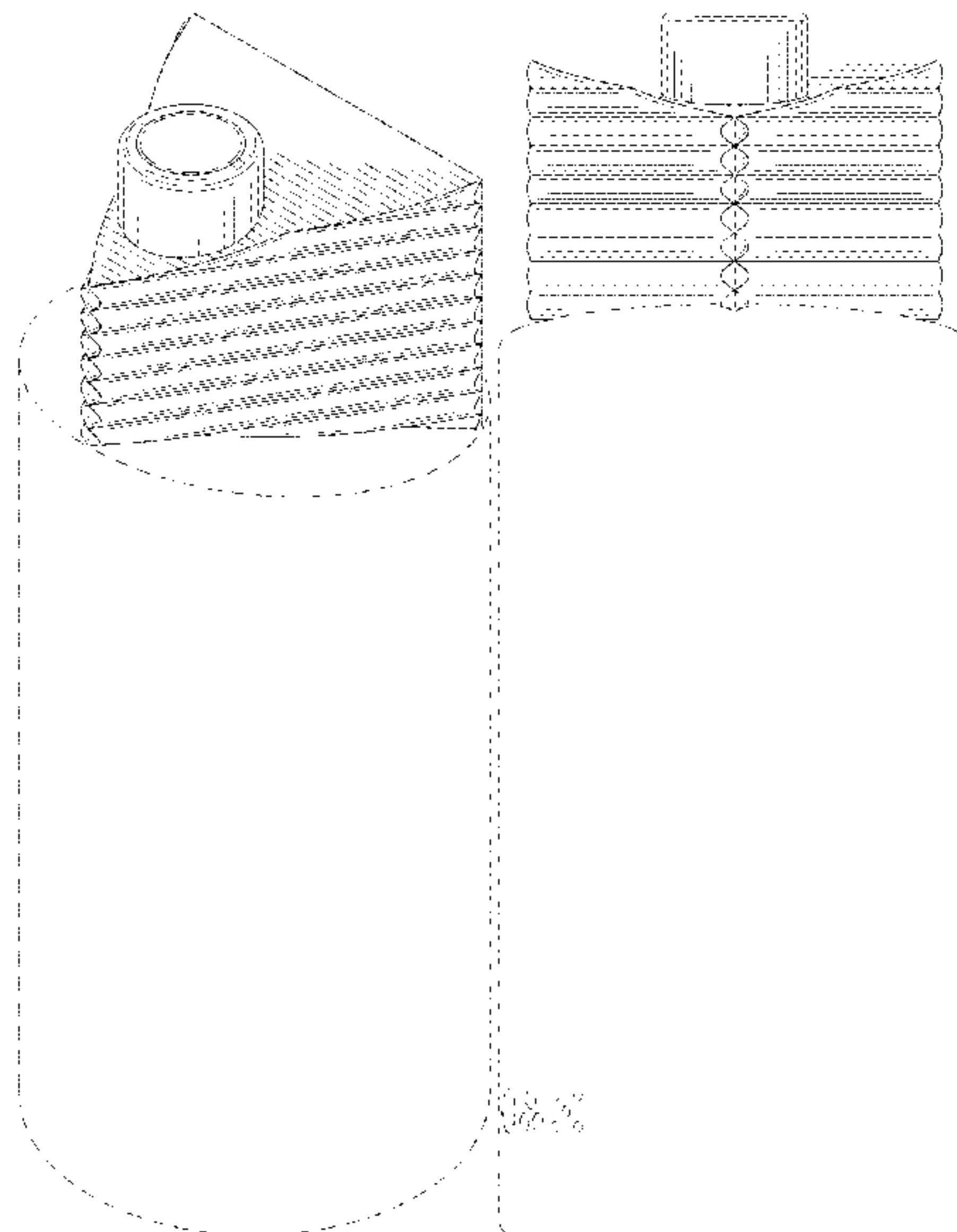
FIG. 4 is a right-side elevation view thereof;

FIG. 5 is a left-side elevation view thereof; and,

FIG. 6 is a top plan view thereof.

The evenly-sized broken lines shown in the drawings depict portions of the mezcal bottle that form no part of the claimed design, while the unevenly-sized dot-dash-dot line defines the bounds of the claimed design and forms no part of the claimed design.

1 Claim, 4 Drawing Sheets



(56)

References Cited

U.S. PATENT DOCUMENTS

D895,432 S * 9/2020 Yoshioka D9/561
D908,965 S * 1/2021 Pae D9/561

* cited by examiner

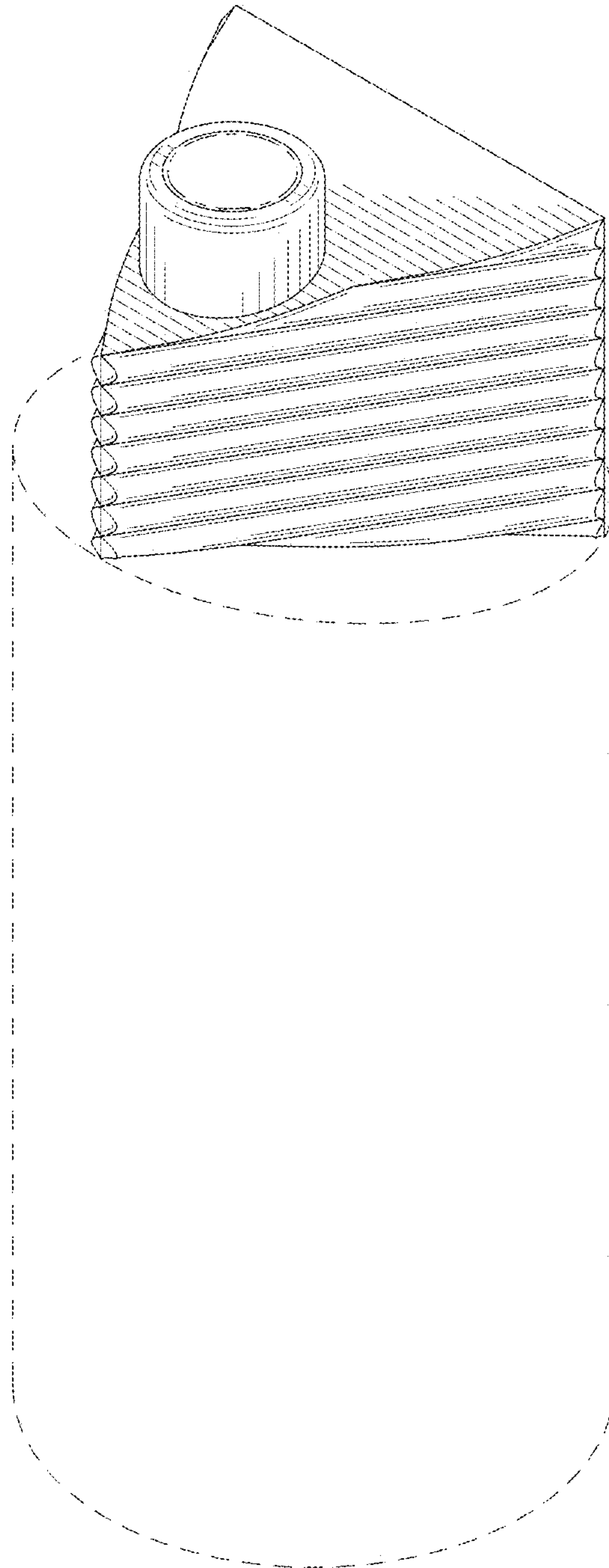


FIG. 1

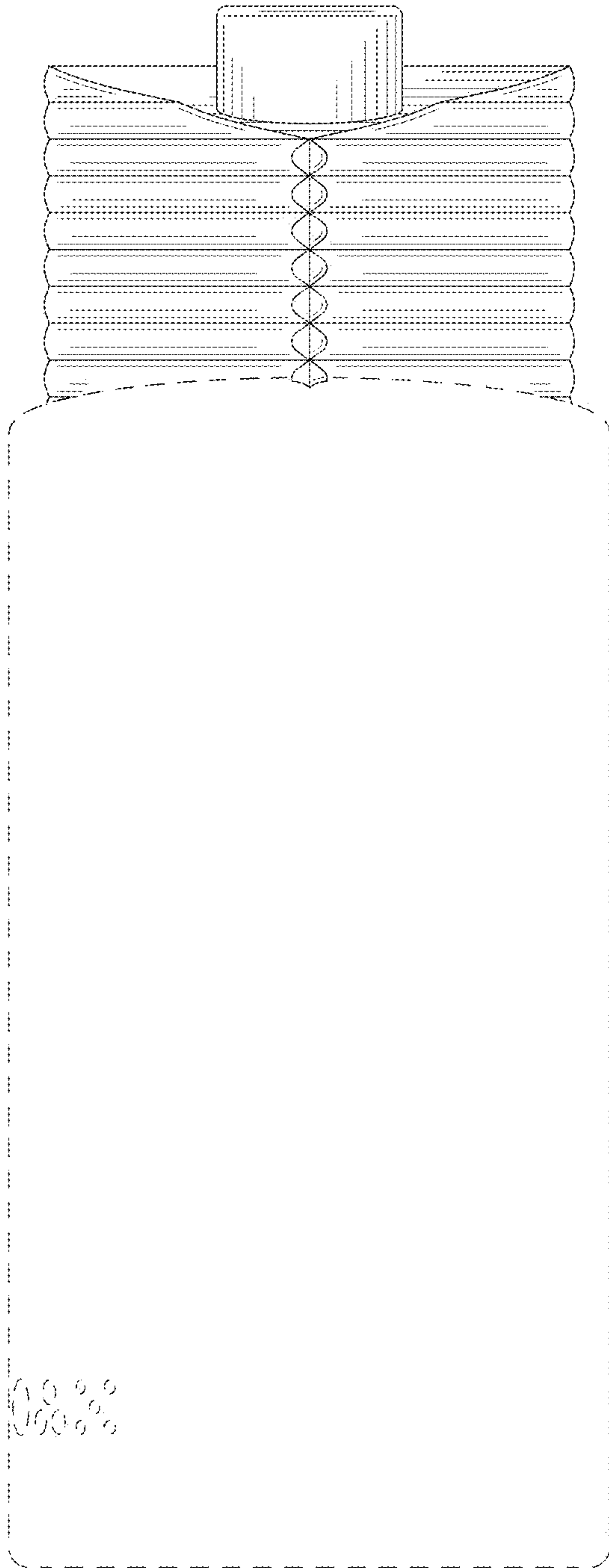


FIG. 2

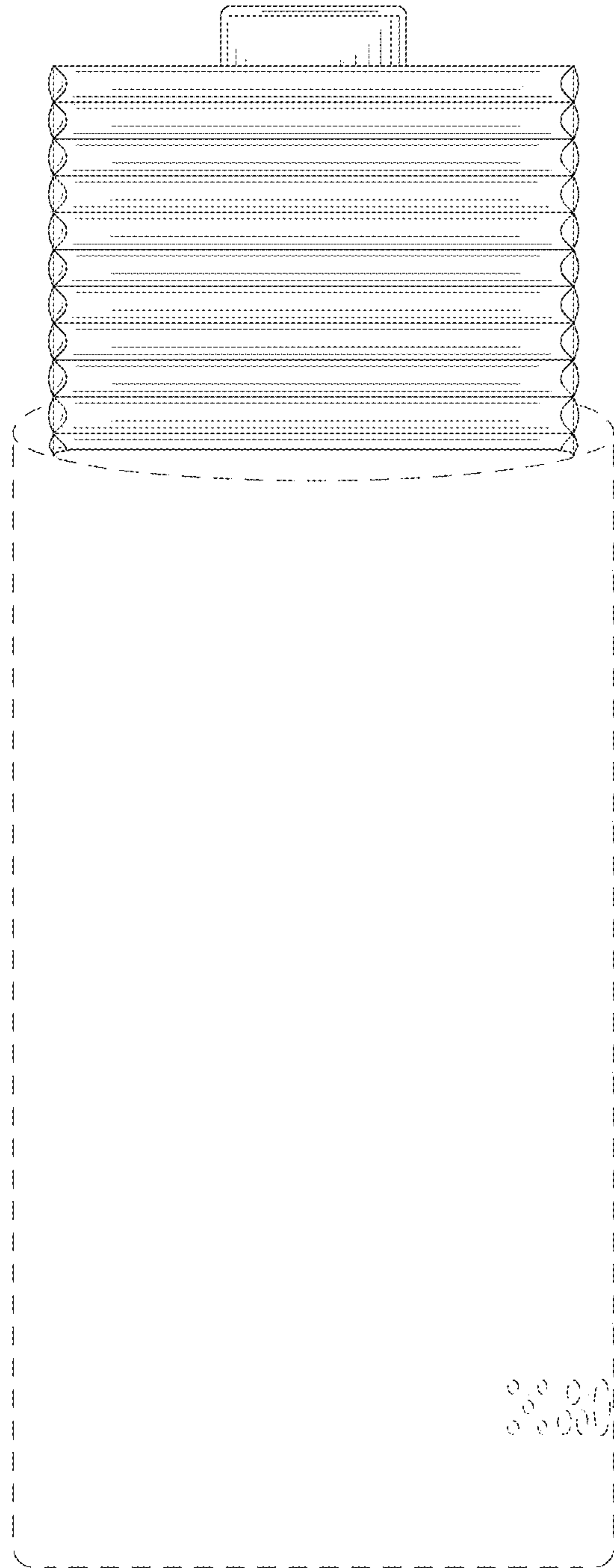


FIG. 3



FIG. 4

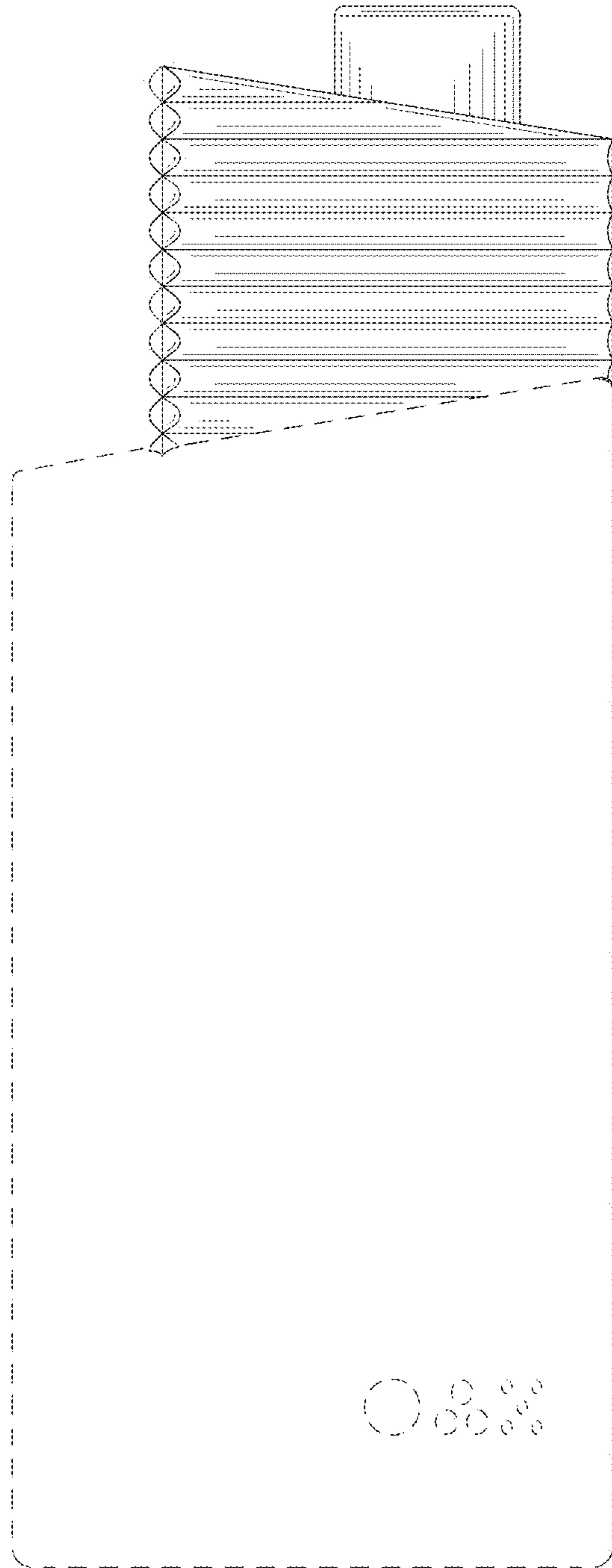


FIG. 5

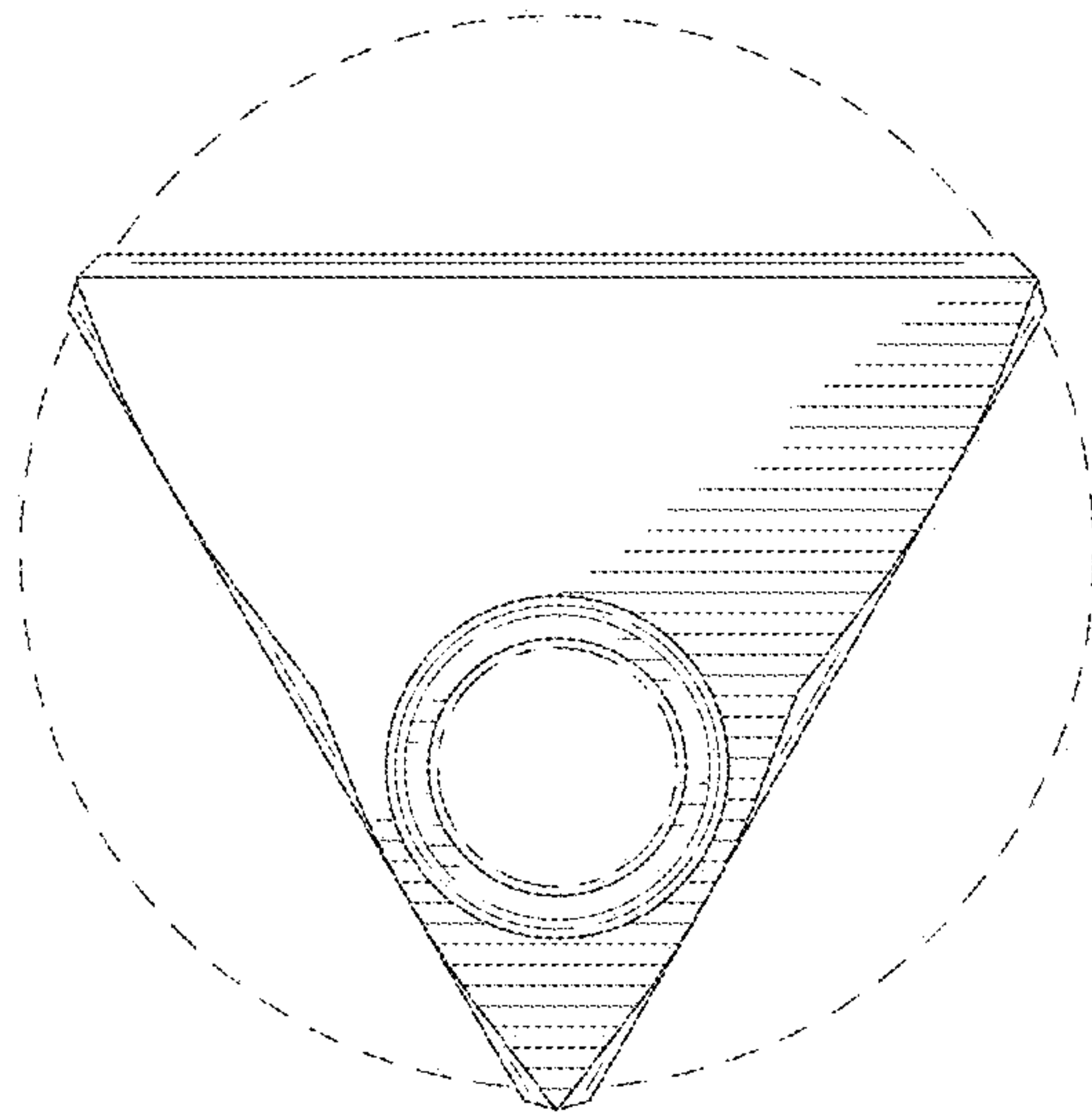


FIG. 6