



US00D965432S

(12) **United States Design Patent**  
**Sansoldo**

(10) **Patent No.:** **US D965,432 S**

(45) **Date of Patent:** **\*\* Oct. 4, 2022**

(54) **CONFECTION CONTAINER WITH  
DETACHABLE TOP HAT**

(71) Applicant: **FerValue USA Inc.**, Parsippany, NJ  
(US)

(72) Inventor: **Daniele Sansoldo**, Parsippany, NJ (US)

(73) Assignee: **FERVALUE USA INC.**, Parsippany,  
NJ (US)

(\*\*) Term: **15 Years**

(21) Appl. No.: **29/739,294**

(22) Filed: **Jun. 24, 2020**

(51) **LOC (13) Cl.** ..... **09-01**

(52) **U.S. Cl.**  
USPC ..... **D9/449; D9/416**

(58) **Field of Classification Search**  
USPC ..... D9/414, 416, 436, 449, 575, 632, 428,  
D9/440, 441; D3/271.4  
CPC ..... B65D 43/162; B65D 5/667; B65D  
2543/00296; B65D 11/02  
See application file for complete search history.

(56) **References Cited**

**U.S. PATENT DOCUMENTS**

D18,839 S *	1/1889	Bowers	.....	D9/632
D113,777 S *	3/1939	Worssam	.....	D9/632
D233,642 S *	11/1974	Ethel	.....	D9/632
D386,305 S *	11/1997	Lau	.....	D3/271.4
D479,995 S *	9/2003	Duceppe	.....	D9/436
D493,105 S *	7/2004	Childs	.....	D9/416
D520,185 S *	5/2006	Zeng	.....	D9/416
D566,963 S *	4/2008	Staab	.....	D3/271.4
D696,108 S *	12/2013	De Pra	.....	D9/416
D709,373 S *	7/2014	Agassi	.....	D9/449
D716,648 S *	11/2014	Tan	.....	D9/416
D727,141 S *	4/2015	Mastropasqua	.....	D9/416
D732,949 S *	6/2015	Schroeder	.....	D9/416

D733,554 S *	7/2015	Rubinstein	.....	D9/416
D736,614 S *	8/2015	Rapparini	.....	D9/416
D738,213 S *	9/2015	Agassi	.....	D9/449
D739,227 S *	9/2015	Mitchell	.....	D9/416
D769,712 S *	10/2016	Antignane	.....	D9/436
D784,812 S *	4/2017	Miller	.....	D9/436
D795,054 S *	8/2017	Likourezos	.....	D9/414
D849,523 S *	5/2019	McKenzie	.....	D9/416

(Continued)

*Primary Examiner* — Brett Miller

*Assistant Examiner* — Rani J Abdallah

(74) *Attorney, Agent, or Firm* — Amster, Rothstein &  
Ebenstein LLP

(57) **CLAIM**

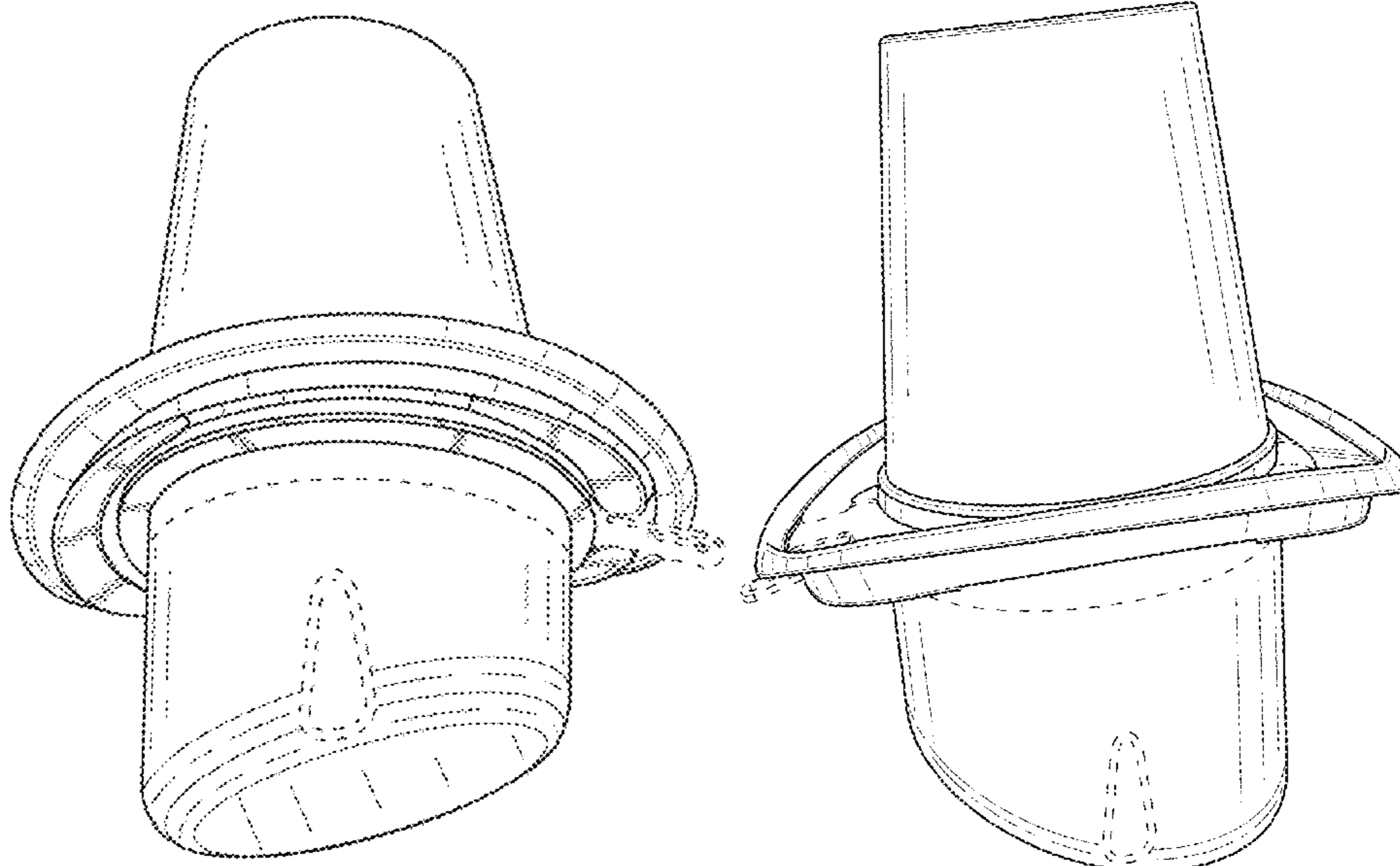
The ornamental design for a confection container with detachable top hat, as shown and described.

**DESCRIPTION**

FIG. 1 is a bottom perspective view of a confection container with detachable top hat, showing my new design; FIG. 2 is a top perspective view thereof; FIG. 3 is an exploded bottom perspective view thereof; FIG. 4 is a back view thereof; FIG. 5 is a front view thereof; FIG. 6 is a right side view thereof; FIG. 7 is a left side view thereof; FIG. 8 is a bottom view thereof; FIG. 9 is a top view thereof; FIG. 10 is a bottom view of a top hat portion corresponding to the exploded bottom perspective view shown in FIG. 3; and, FIG. 11 is a top view of a bottom container portion corresponding to the exploded bottom perspective view shown in FIG. 3.

The broken lines in FIGS. 1-11 depict portions of the confection container with detachable top hat that form no part of the claimed design.

**1 Claim, 11 Drawing Sheets**



(56)

**References Cited**

U.S. PATENT DOCUMENTS

D854,924 S *	7/2019	Ashiwa .....	D9/416
D880,954 S *	4/2020	McCutchen .....	D7/624.2
D886,530 S *	6/2020	Vazin .....	D9/632
D896,065 S *	9/2020	Blay .....	D9/414
D911,161 S *	2/2021	Williams .....	D9/416
D917,275 S *	4/2021	Gallay .....	D9/416
D920,094 S *	5/2021	Purkey .....	D9/416

\* cited by examiner

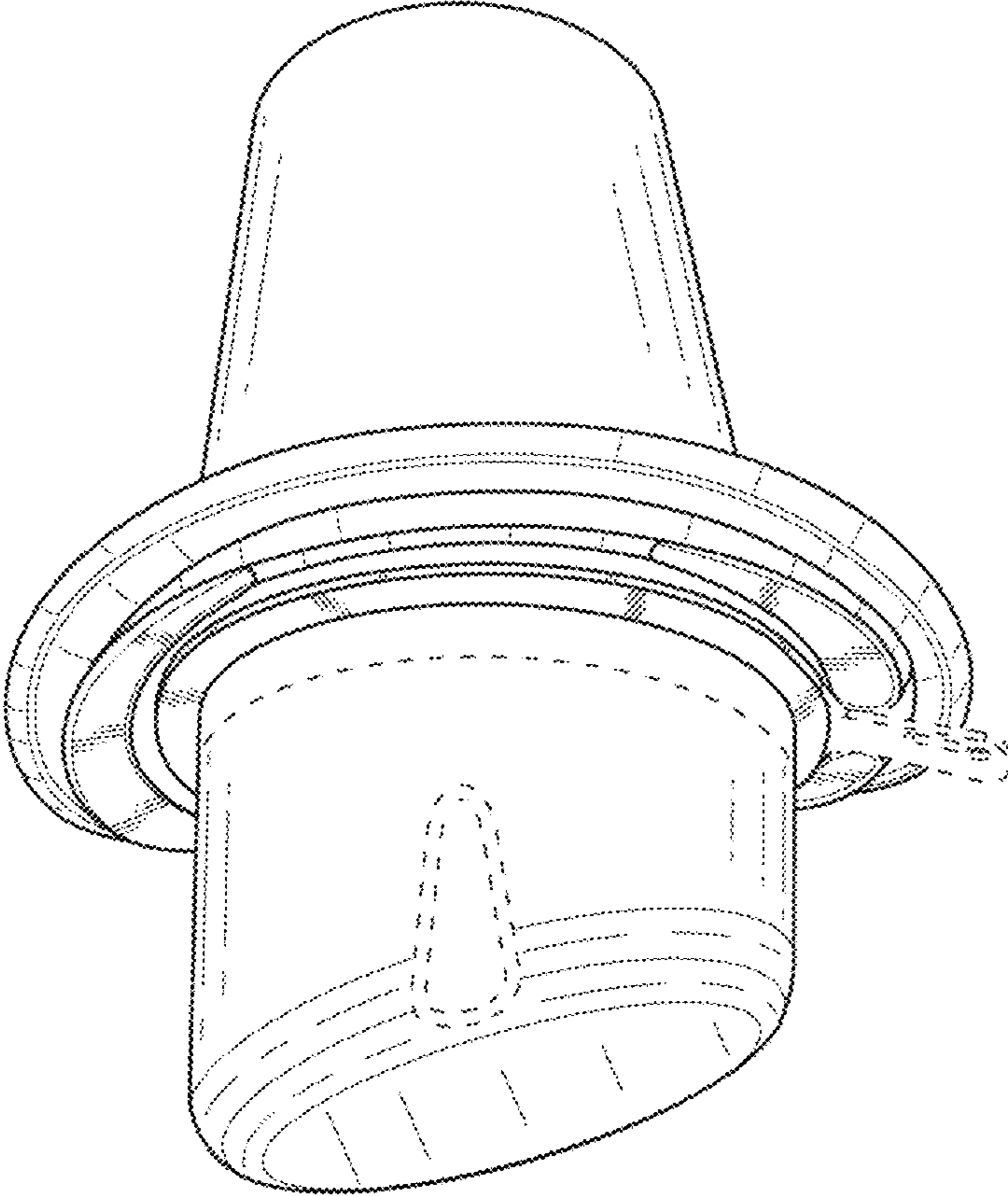


FIG. 1

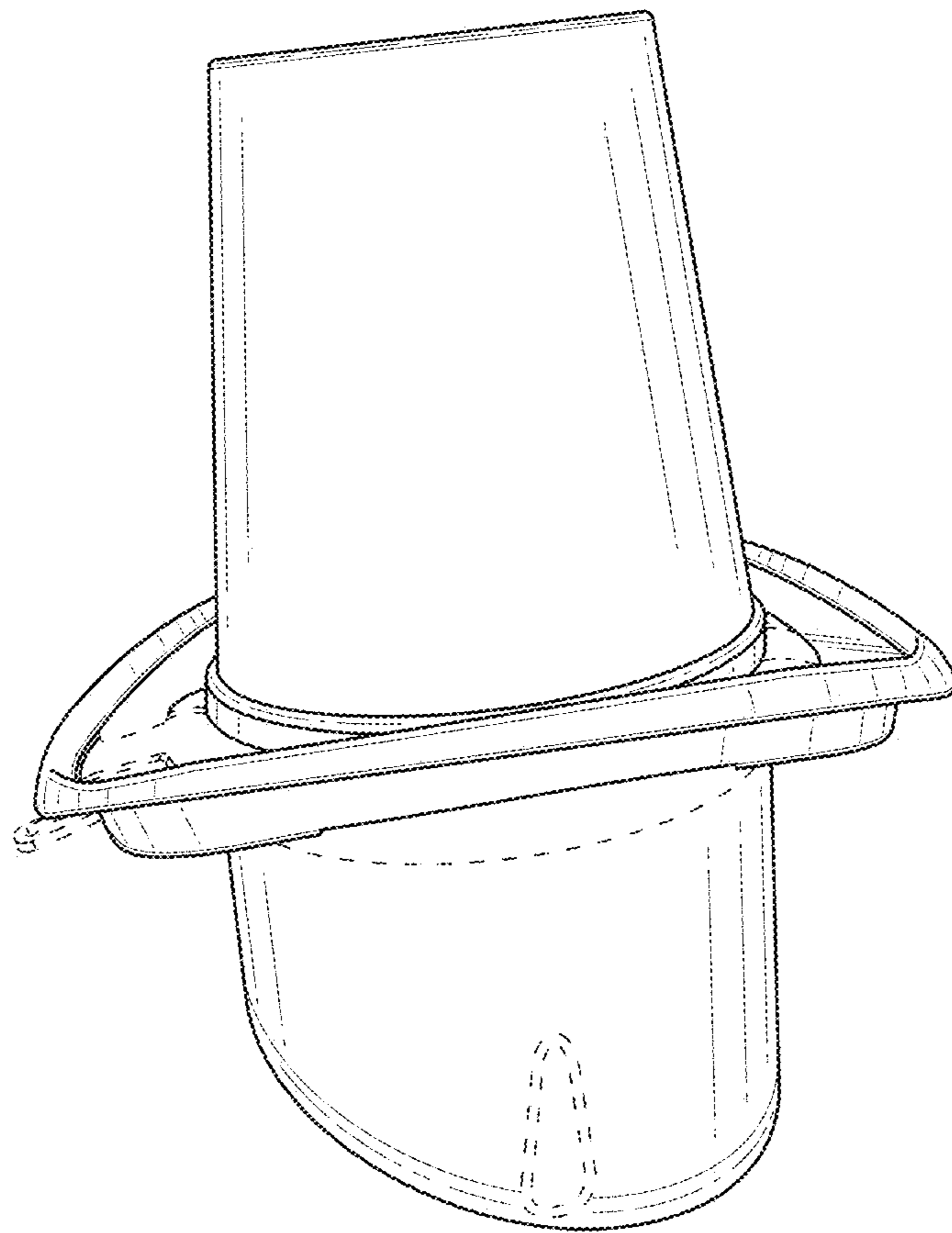


FIG. 2

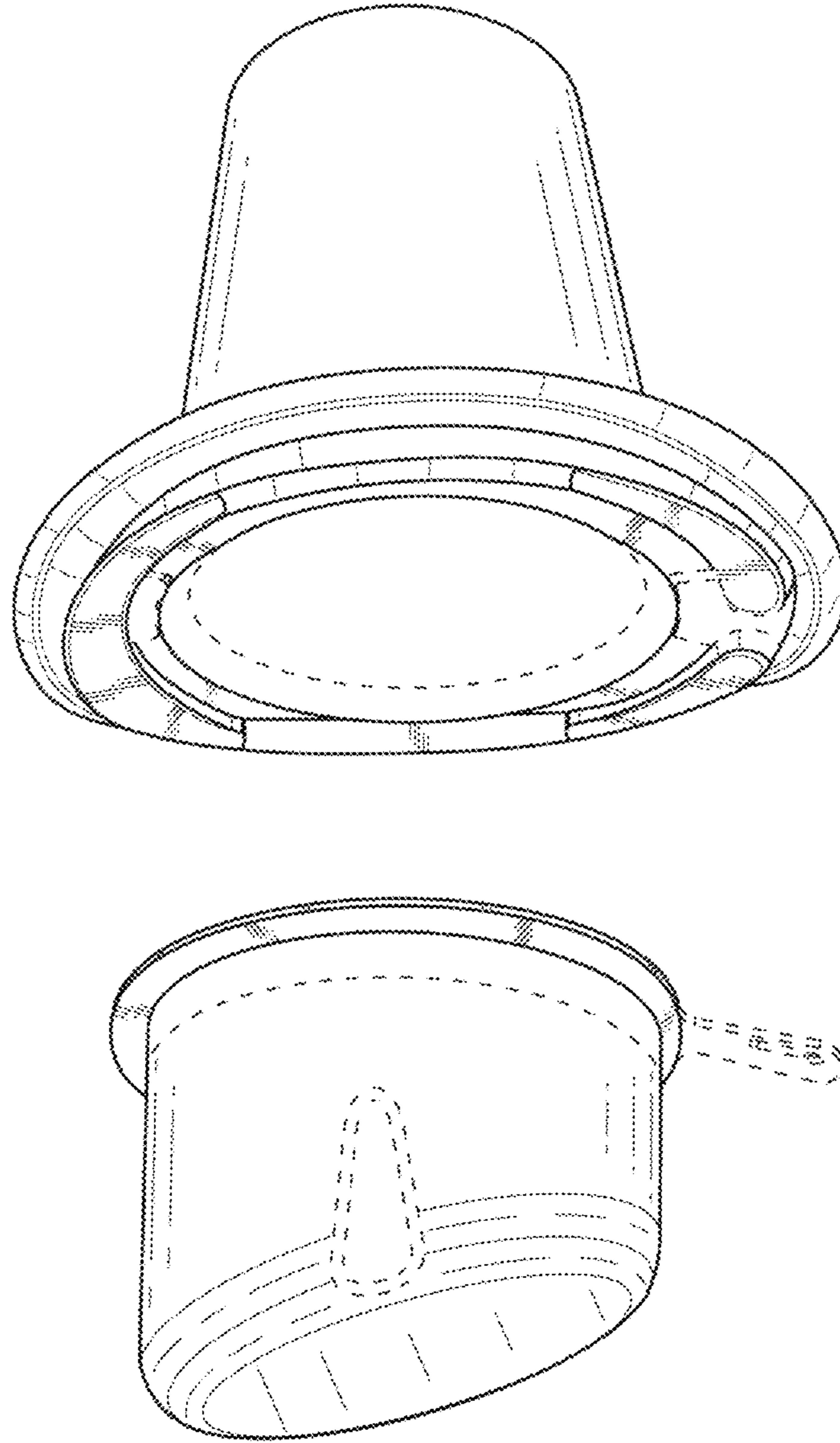


FIG. 3

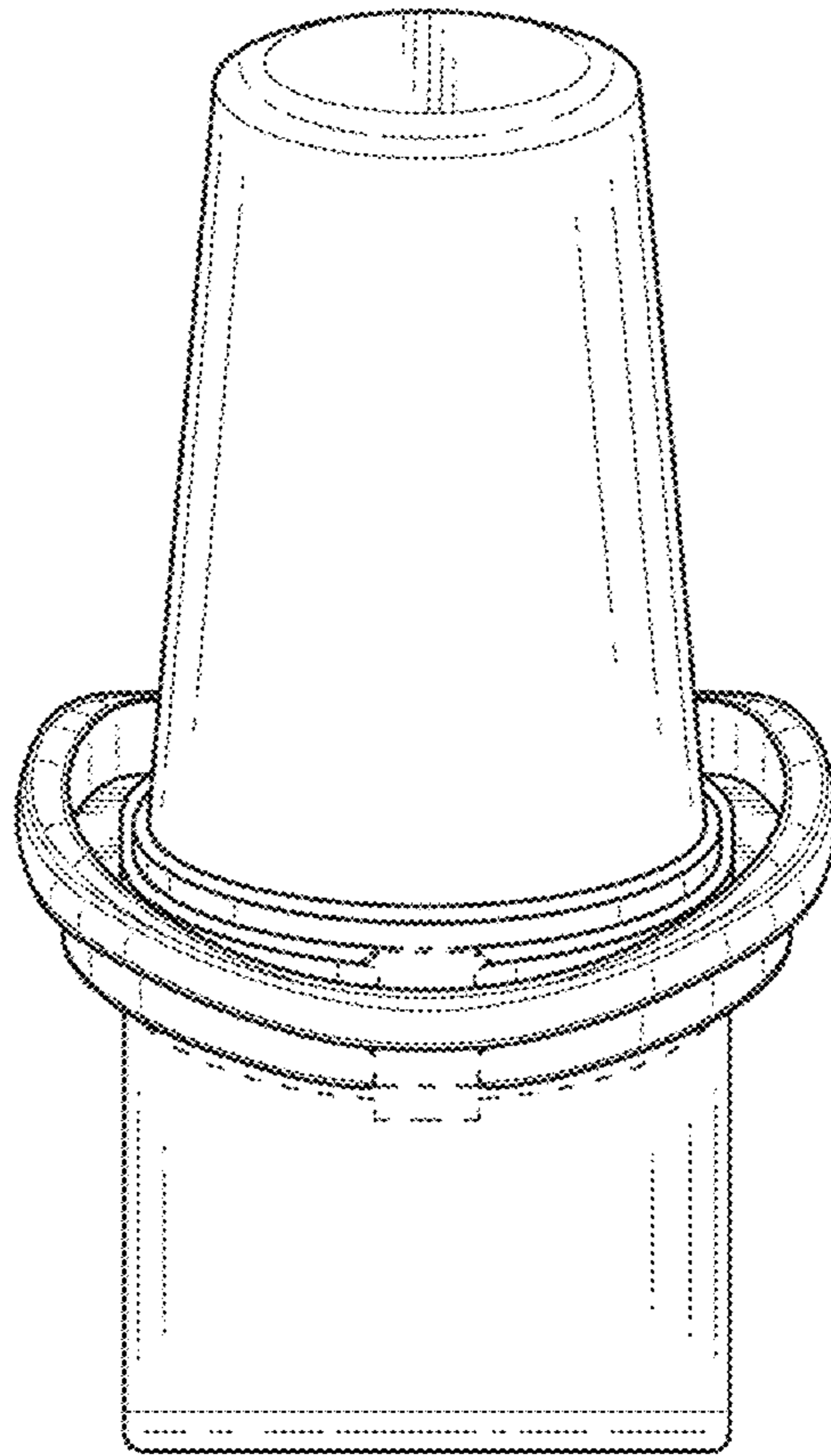


FIG. 4

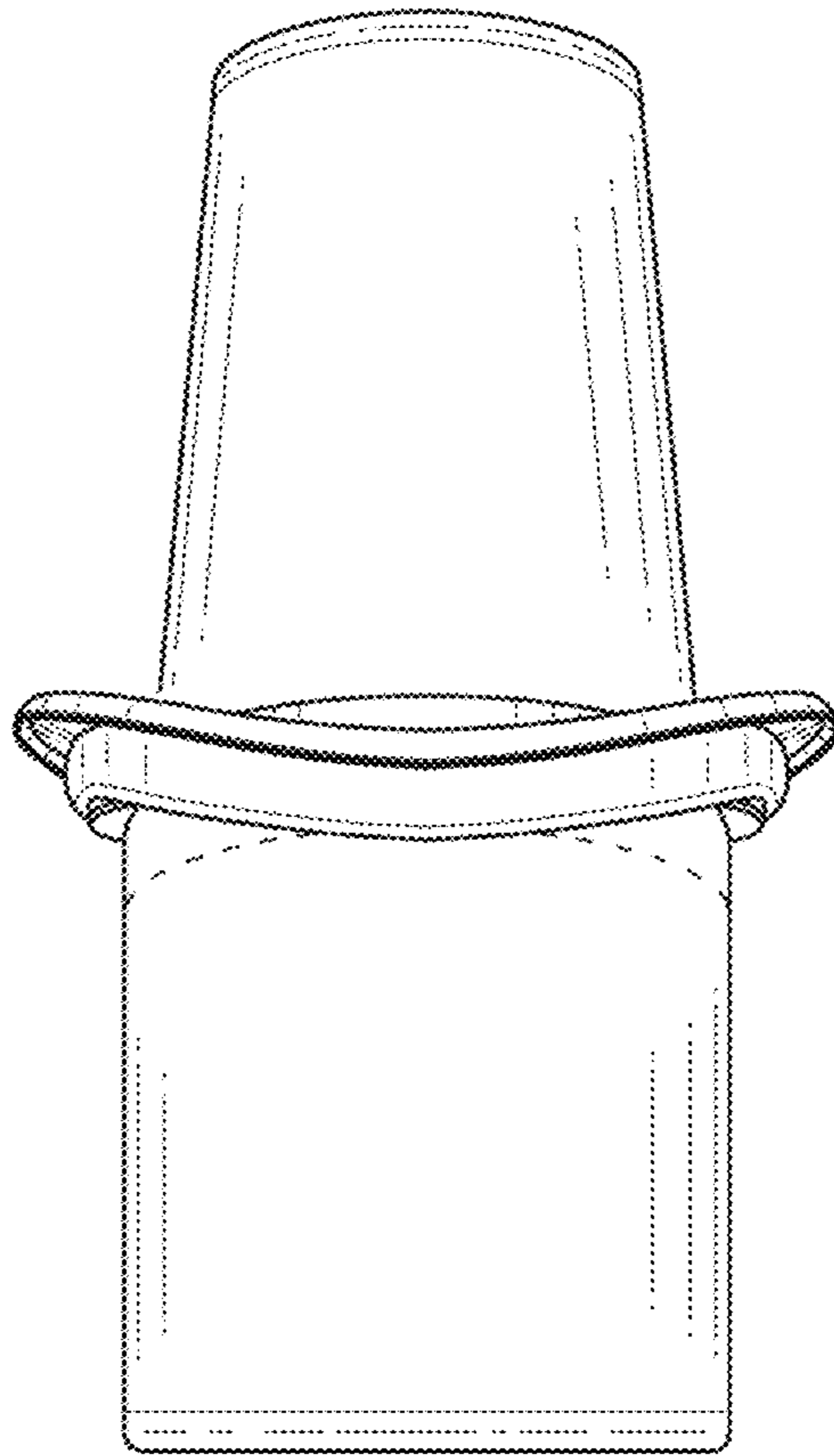


FIG. 5

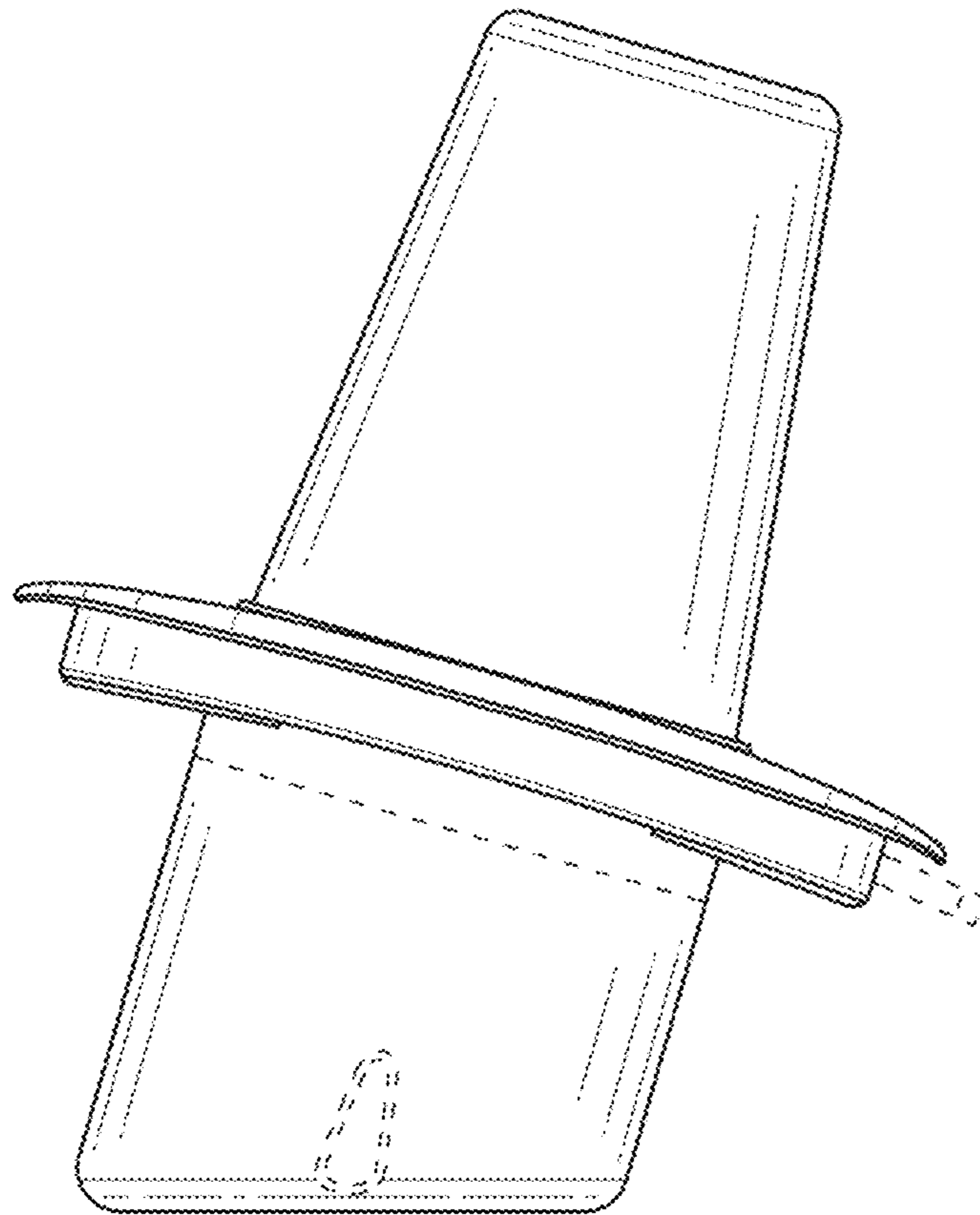


FIG. 6



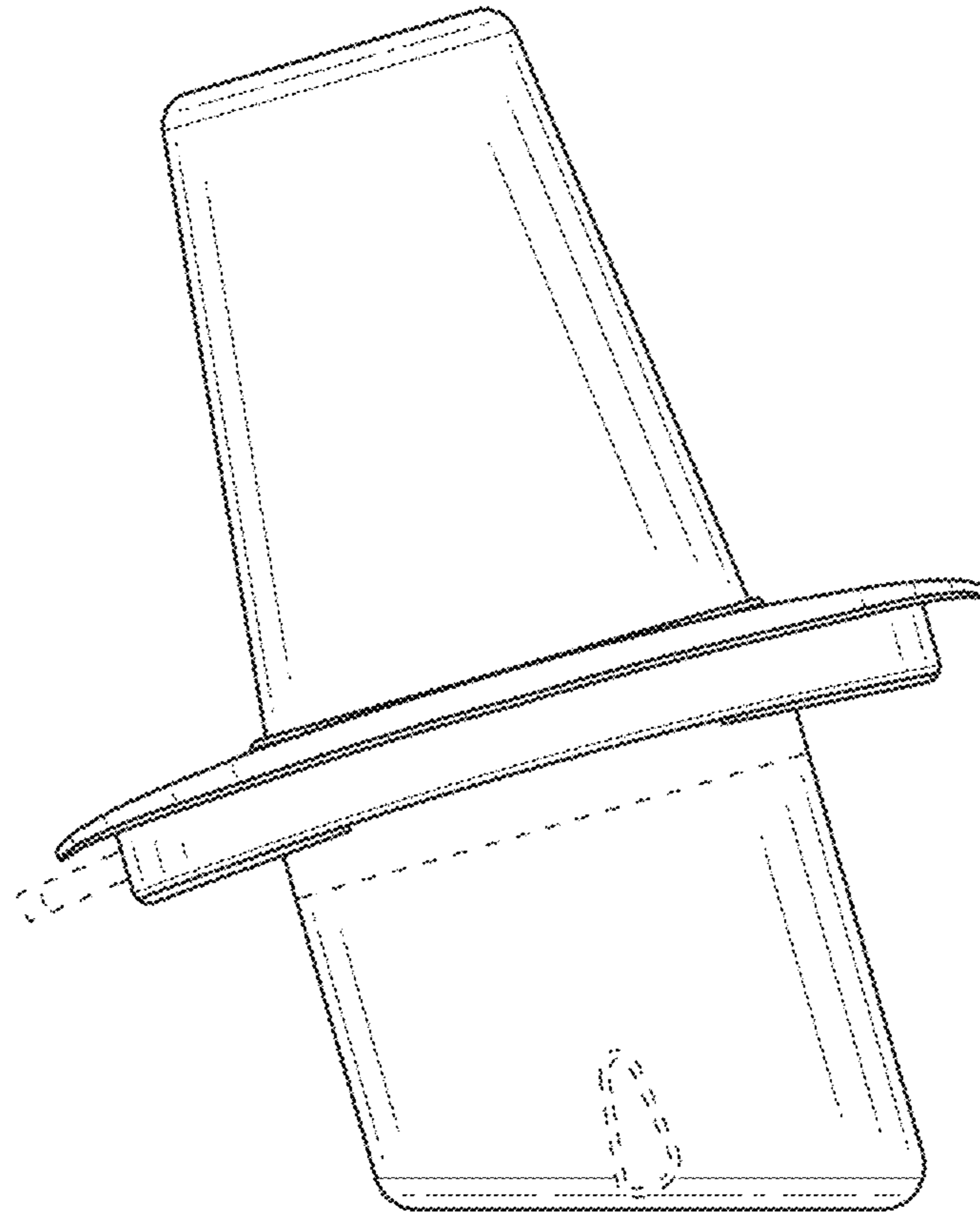


FIG. 7

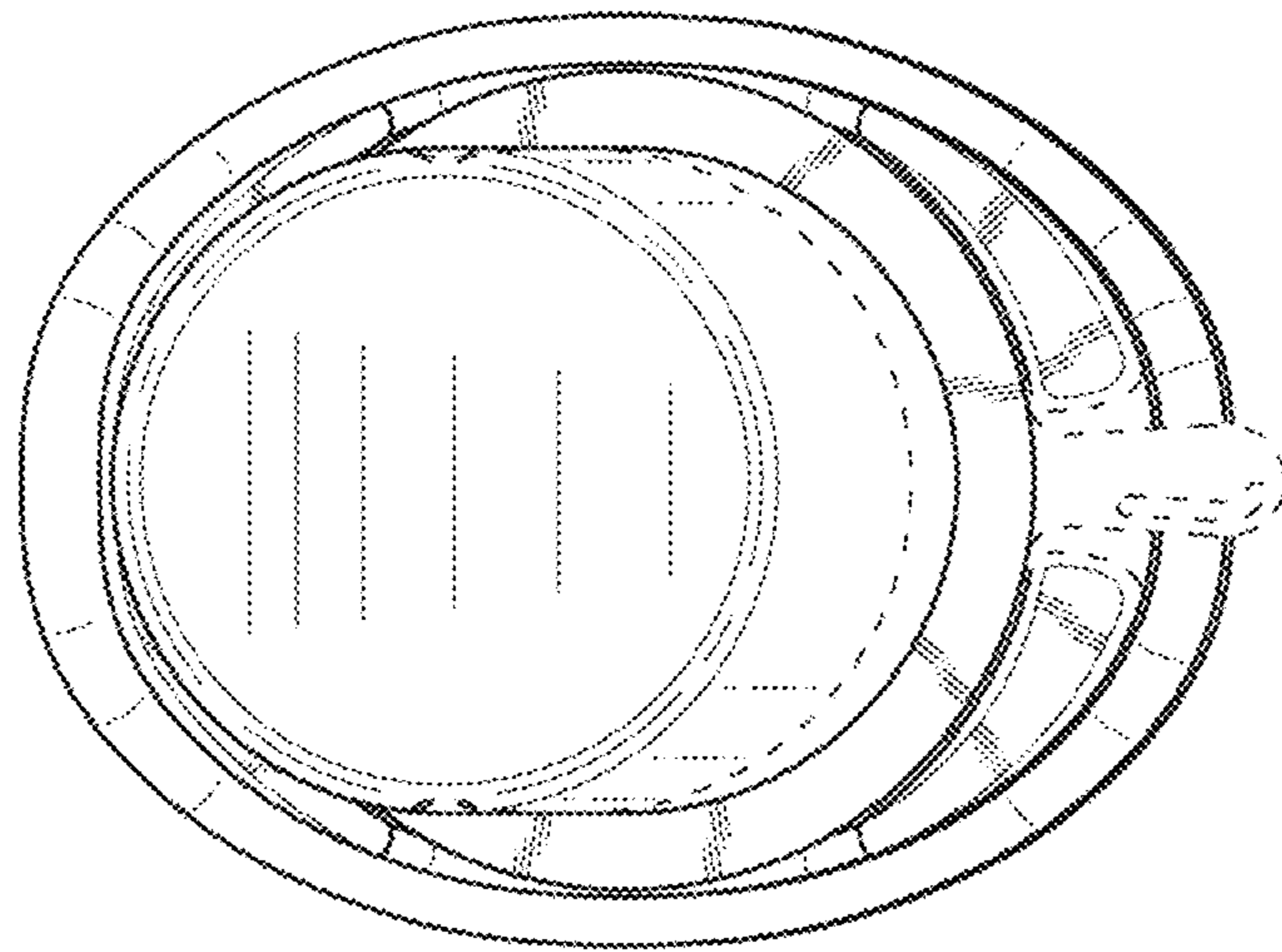


FIG. 8

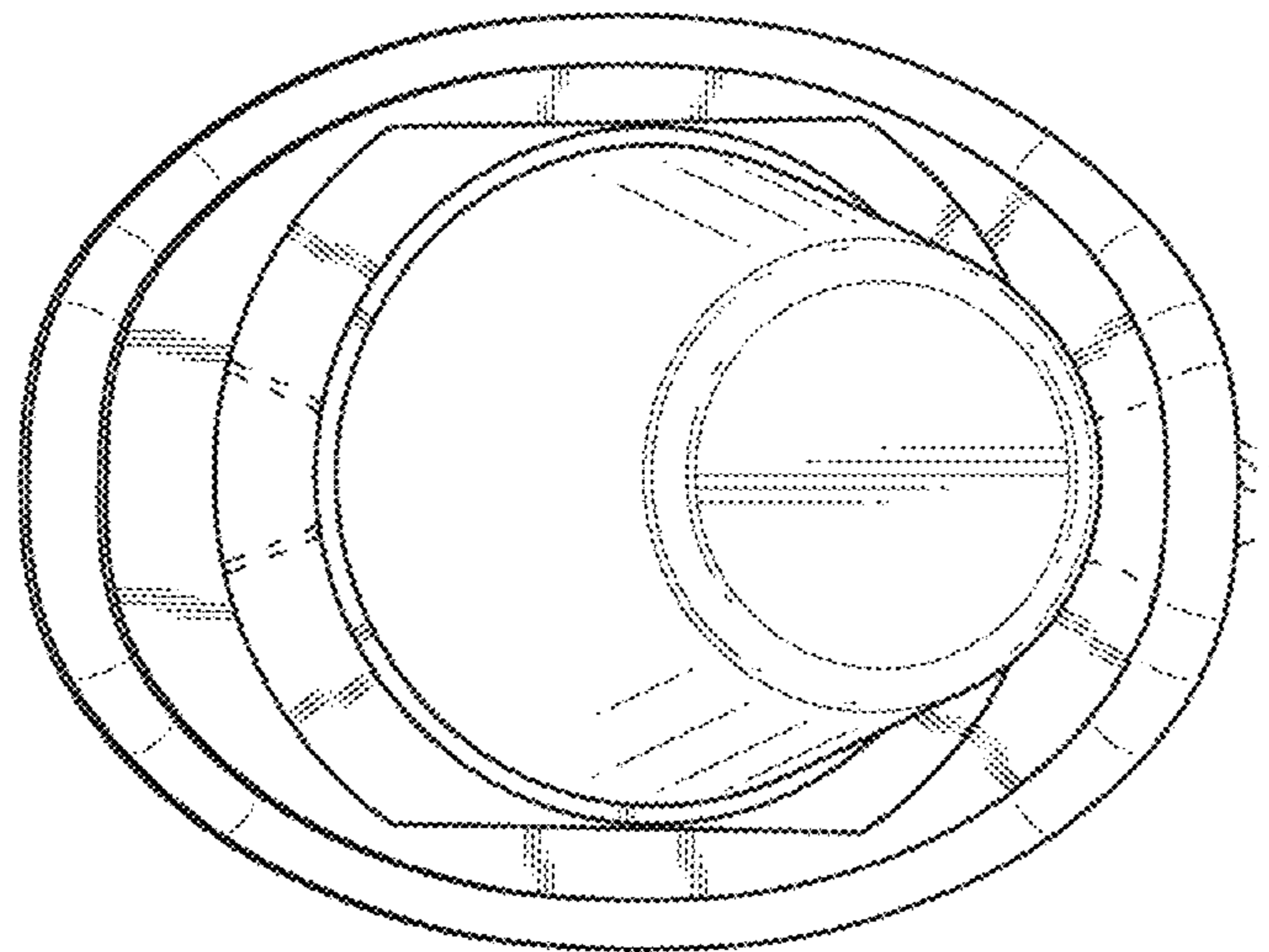


FIG. 9

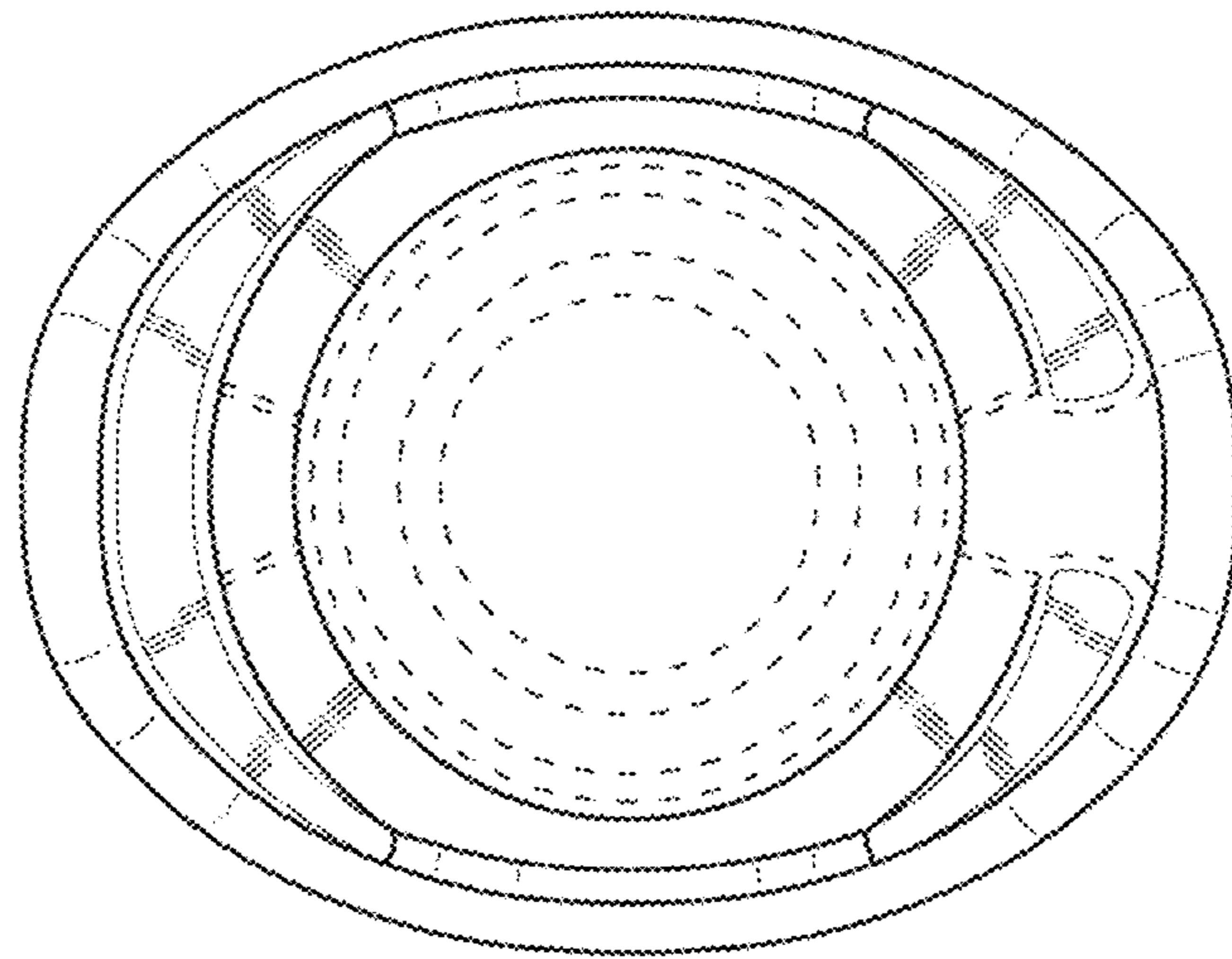


FIG. 10

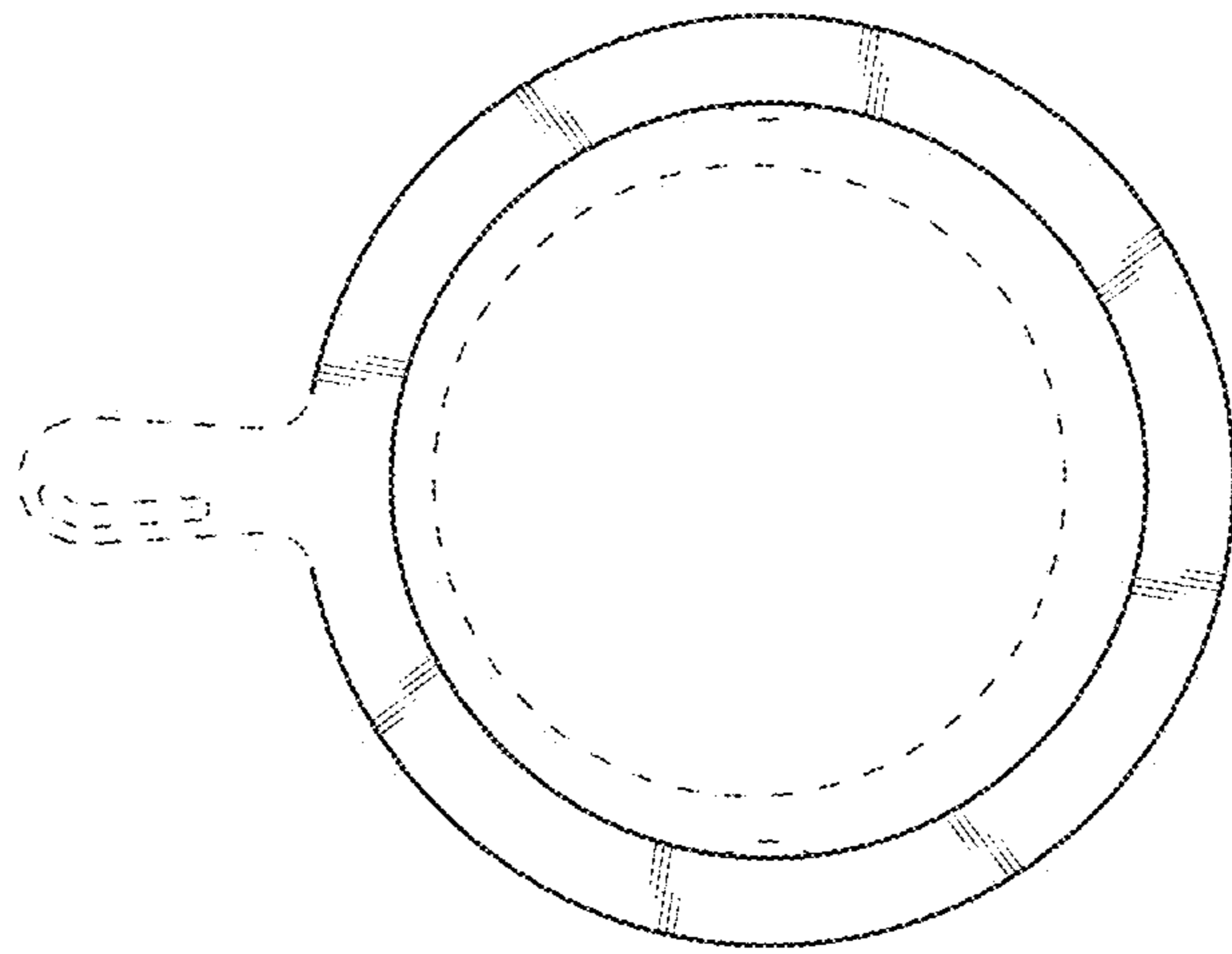


FIG. 11