



US00D965431S

(12) **United States Design Patent**
Juna et al.

(10) **Patent No.:** **US D965,431 S**
(45) **Date of Patent:** **** Oct. 4, 2022**

(54) **CONTAINER CLOSURE**
(71) Applicant: **TricorBraun Inc.**, St. Louis, MO (US)
(72) Inventors: **Samantha Juna**, Carol Stream, IL (US); **Jay Lee**, Carol Stream, IL (US)
(73) Assignee: **TricorBraun Inc.**, St. Louis, MO (US)
(**) Term: **15 Years**
(21) Appl. No.: **29/753,384**

D617,189 S * 6/2010 Casey D9/447
D683,580 S * 6/2013 Rosenfeld D7/392
D694,463 S * 11/2013 Sieczkowski D26/124
D707,567 S * 6/2014 Callaghan D9/730
D735,033 S * 7/2015 Lynd D9/435
D746,683 S * 1/2016 Fahl D9/454
D751,399 S * 3/2016 Lynd D9/454
D772,686 S * 11/2016 Zimmer D8/310
D773,296 S * 12/2016 Lynd D9/439
D820,086 S * 6/2018 Lynd D9/454
D826,684 S * 8/2018 Tseng D8/310
D829,077 S * 9/2018 Krause D8/310
D845,446 S * 4/2019 Seybel D23/260

(Continued)

(22) Filed: **Sep. 30, 2020**
(51) **LOC (13) Cl.** **09-07**
(52) **U.S. Cl.**
USPC **D9/447**
(58) **Field of Classification Search**
USPC D7/550.1, 554.2, 387, 391, 392, 392.1,
D7/396.1, 396.2, 397, 398, 558, 624.1,
D7/667, 388, 403, 407, 408, 409;
D9/723, 724, 434, 435, 436, 438, 443,
D9/445, 447, 448, 449, 450, 452, 453,
D9/454; D23/206, 209, 259, 260, 261,
D23/397; D21/680, 681; D8/310
CPC B65D 43/0208; B65D 2231/022; B65D
2543/00027; B65D 2543/00092; B65D
2543/000296; B65D 2543/00342; B65D
2543/00509; B65D 2543/00518; B65D
2543/00537; B65D 2543/00731; B65D
2543/00814; B65D 41/34; B65D 41/3428;
B65D 1/20; B65D 2251/0018; B65D
2251/0071; B65D 2251/02; B29C 51/22;
B29C 51/268; B29C 51/44; B29C
45/0001; B29C 45/0081; A47G 19/2272
See application file for complete search history.

(56) **References Cited**

U.S. PATENT DOCUMENTS

D506,280 S * 6/2005 Chen D26/67
D563,785 S * 3/2008 Maki D9/454
D564,877 S * 3/2008 Hood D9/454

OTHER PUBLICATIONS

Push Pull Dispenser: Announced Dec. 30, 2021 (online). Site Vistied [May 7, 2022]. Available from Internet URL: https://packagingoptionsdirect.com/28-400-pushpull-dispensing-linerless-bluewhite-plastic-closure-4-hole-orifice-2500case.*

Primary Examiner — Catherine S Posthauer
(74) *Attorney, Agent, or Firm* — Husch Blackwell LLP

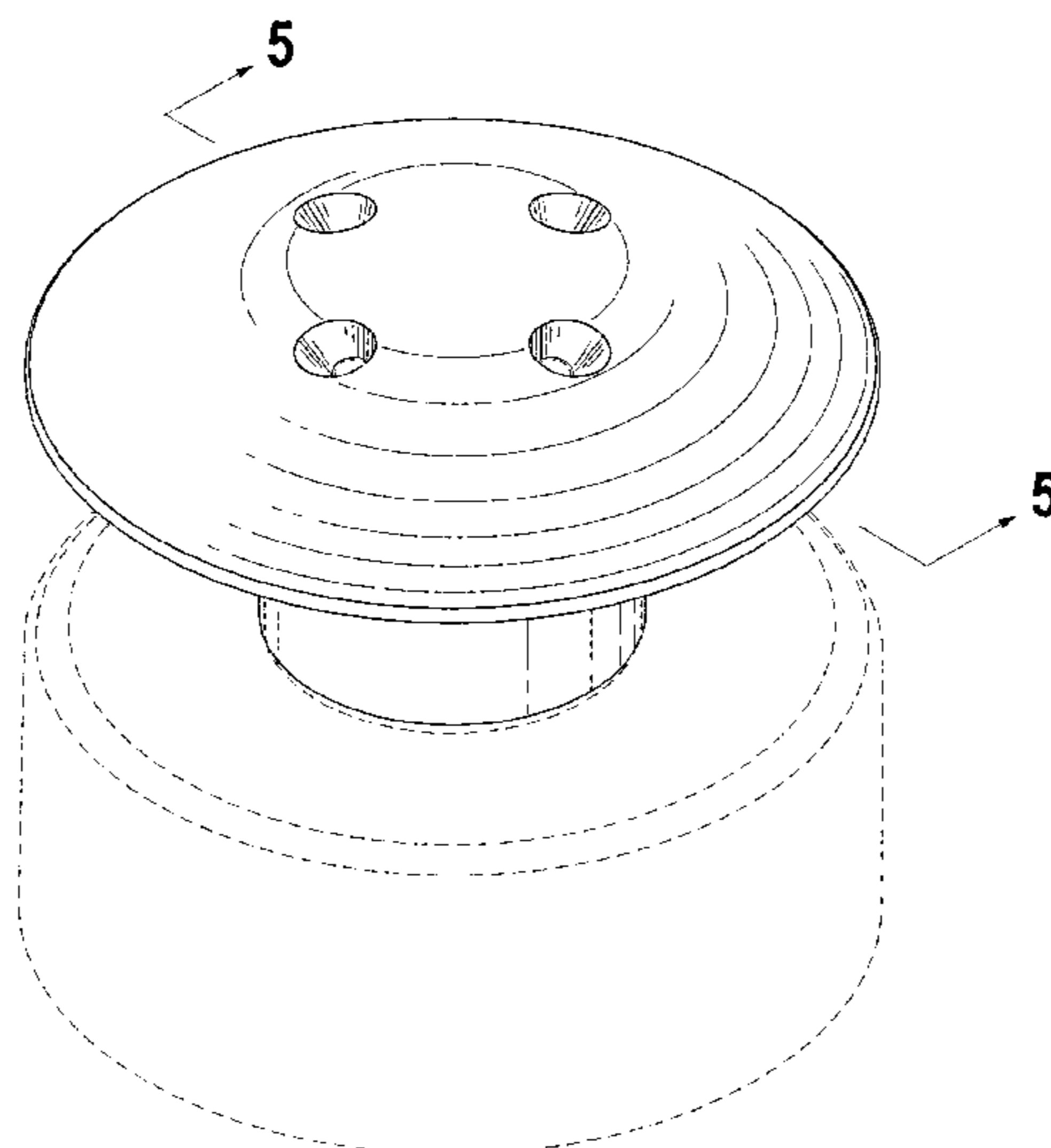
(57) **CLAIM**

We claim the ornamental design for a container closure, as shown and described.

DESCRIPTION

FIG. 1 is a perspective view of a container closure showing the new design;
FIG. 2 is a top view thereof;
FIG. 3 is a side view thereof; the opposite side, front, and back being mirror images thereof;
FIG. 4 is a bottom view thereof; and,
FIG. 5 is a cross-sectional view thereof, taken in the direction of line 5-5 in Fig.
The broken lines are shown for the purpose of illustrating both parts of the article as well as environmental subject matter of an exemplary container. None of the broken lines form part of the claim.

1 Claim, 4 Drawing Sheets



(56)

References Cited

U.S. PATENT DOCUMENTS

D845,766	S	*	4/2019	Tartock	D9/454
D852,628	S	*	7/2019	Zerebny	D9/455
D860,787	S	*	9/2019	Krokonko	D9/435
D885,826	S	*	6/2020	Mosebrook	D7/392.1
D903,464	S	*	12/2020	Groleski	D8/310
2006/0201838	A1	*	9/2006	Sasaki	A45D 40/10 206/385

* cited by examiner

FIG. 1

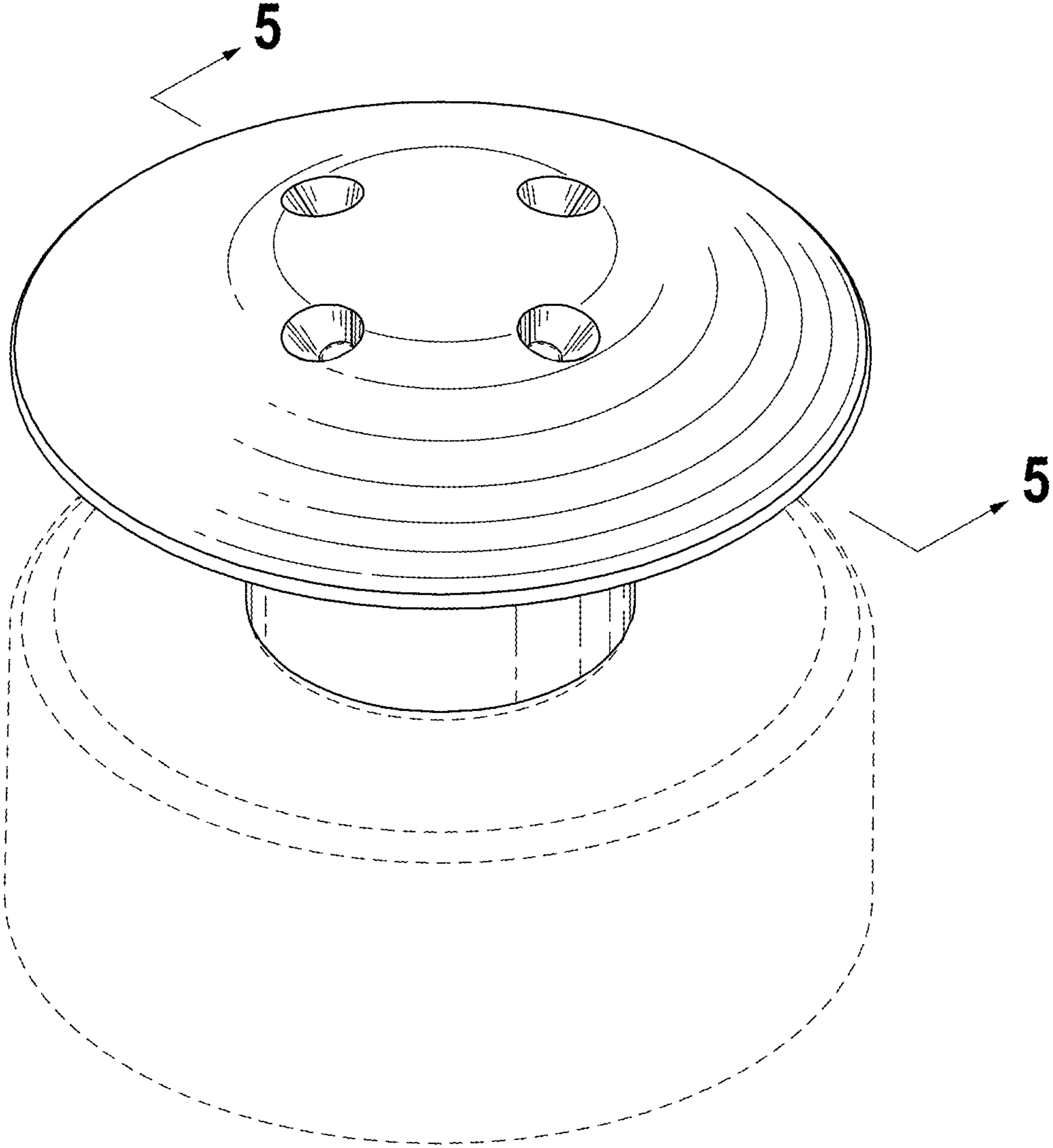


FIG. 2

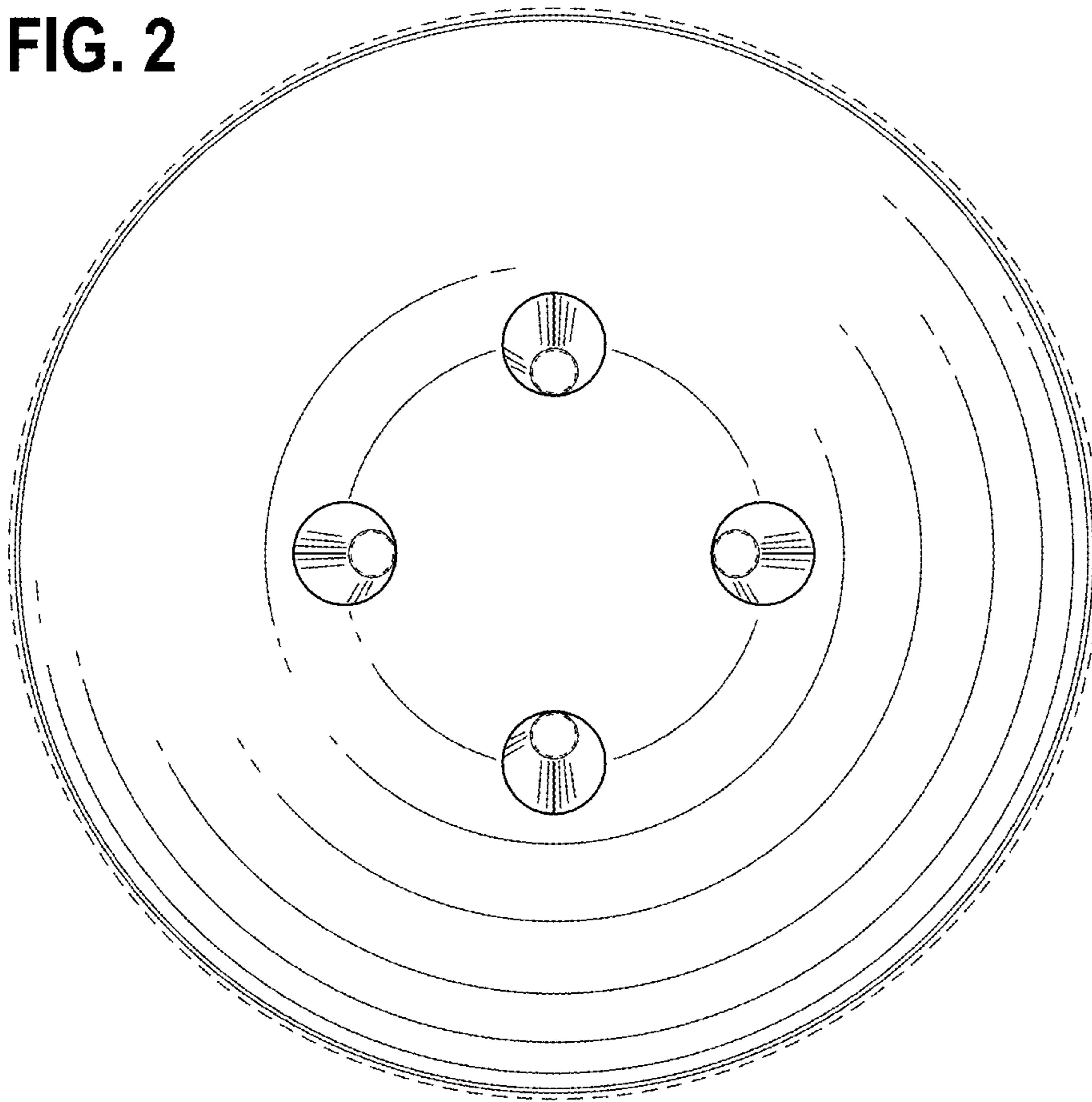


FIG. 3

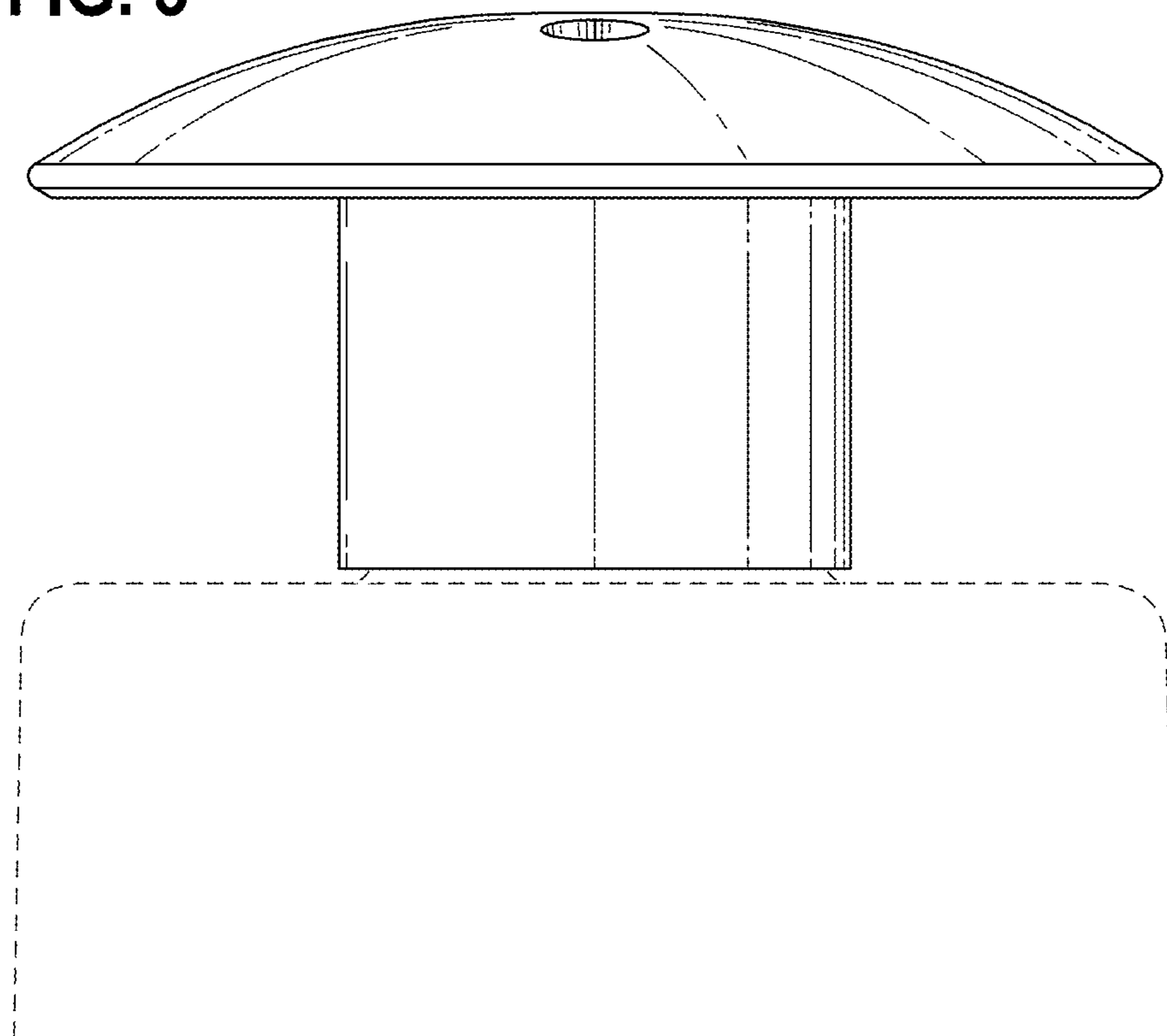


FIG. 4

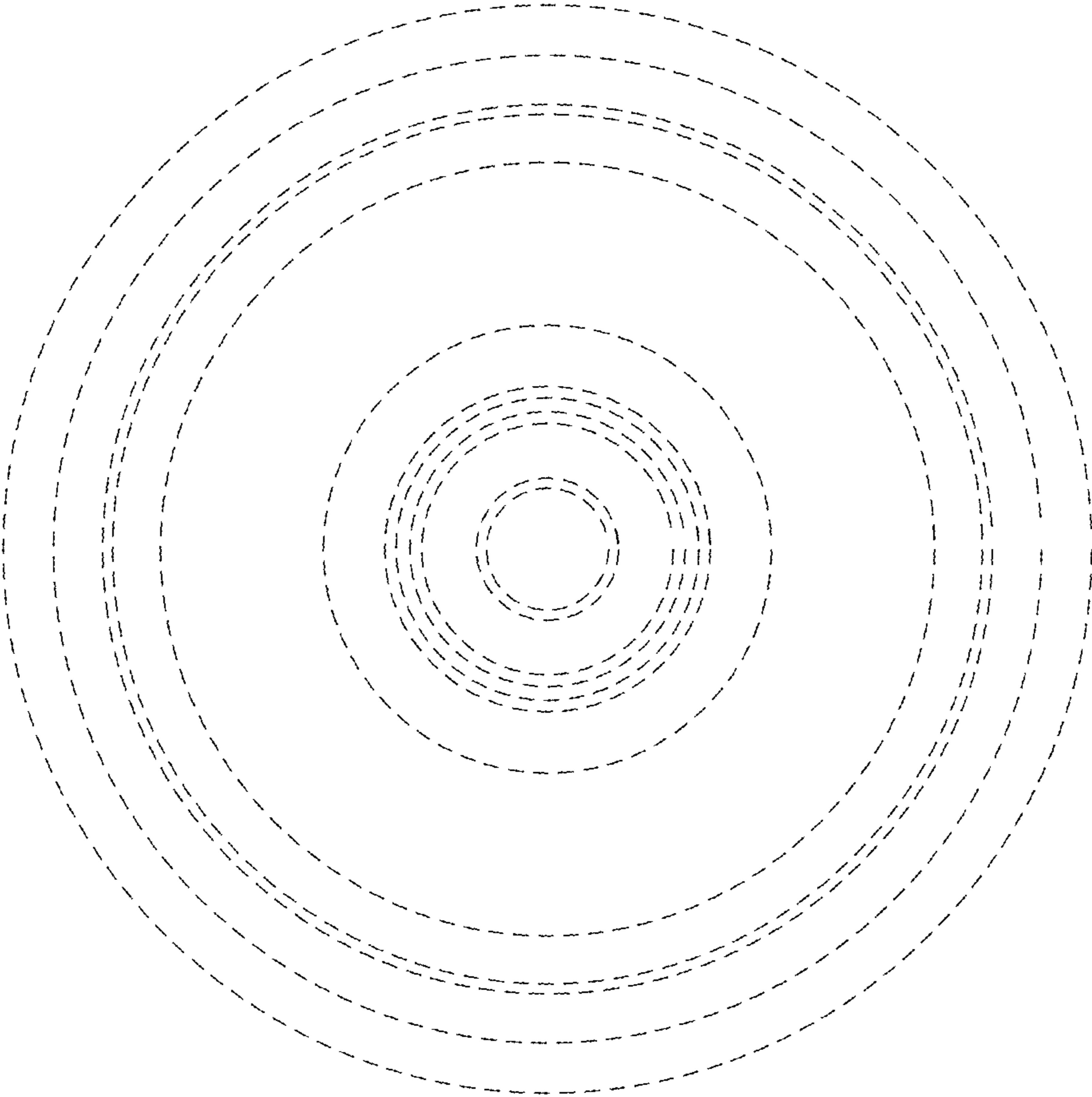


FIG. 5

