



US00D965425S

(12) **United States Design Patent**
Doughty

(10) **Patent No.: US D965,425 S**

(45) **Date of Patent: ** Oct. 4, 2022**

(54) **DIESEL HEAD BRACKET**

(71) Applicant: **Ernest Doughty**, Landrum, SC (US)

(72) Inventor: **Ernest Doughty**, Landrum, SC (US)

(**) Term: **15 Years**

(21) Appl. No.: **29/822,459**

(22) Filed: **Jan. 10, 2022**

(51) **LOC (13) Cl.** **08-99**

(52) **U.S. Cl.**
USPC **D8/499**

(58) **Field of Classification Search**
USPC D15/5; D8/354, 394, 398, 499; D34/28,
D34/33, 35
CPC B25B 27/02; B25B 27/023; B25B 33/00;
B25B 27/062
See application file for complete search history.

(56) **References Cited**

U.S. PATENT DOCUMENTS

854,242	A *	5/1907	Scott	B25B 27/062 29/262
1,408,179	A	2/1922	DuPont		
D268,060	S *	2/1983	Sutela	D34/35
D274,216	S *	6/1984	Carlson	D23/209
D362,833	S *	10/1995	McKelvey	D8/394
6,212,775	B1 *	4/2001	Sarver	B25B 27/062 29/256
D643,281	S *	8/2011	Roberts	D8/394
9,709,001	B2	7/2017	Buck		
10,683,828	B2	6/2020	Howard et al.		
2003/0217465	A1 *	11/2003	Shevela	B25B 27/062 29/244

2006/0196029	A1 *	9/2006	Klann	B25B 27/062 29/260
2009/0095860	A1 *	4/2009	Yoon	E02D 27/44 248/225.11
2015/0083981	A1 *	3/2015	Kruger	B25B 27/023 269/287

OTHER PUBLICATIONS

https://ferrumtools.net/products/cummins-isx12-isx15-head-lifting-bracket-tool-alternative-to-4919360?variant=39398168461355¤cy=USD&utm_medium=product_sync&utm_source=google&utm_content=sag_organic&utm_campaign=sag_organic&gclid=EA1a1QobChMlueaRjcip-AIVBsmUCR07Sg44EAQYASABEgKK0PD_BwE (Year: 2022).*
Amazon Camoo J-35641-A Cylinder Head Lift Bracket Tool for Detroit Diesel 60 Series Engines <https://www.amazon.com/Camoo-J-35641-Cylinder-Bracket-Detroit/dp/B08DD5GRS9> First available date Jul. 21, 2020 (Year: 2020).*

* cited by examiner

Primary Examiner — Ania Aman
(74) *Attorney, Agent, or Firm* — Suzanne Kikel

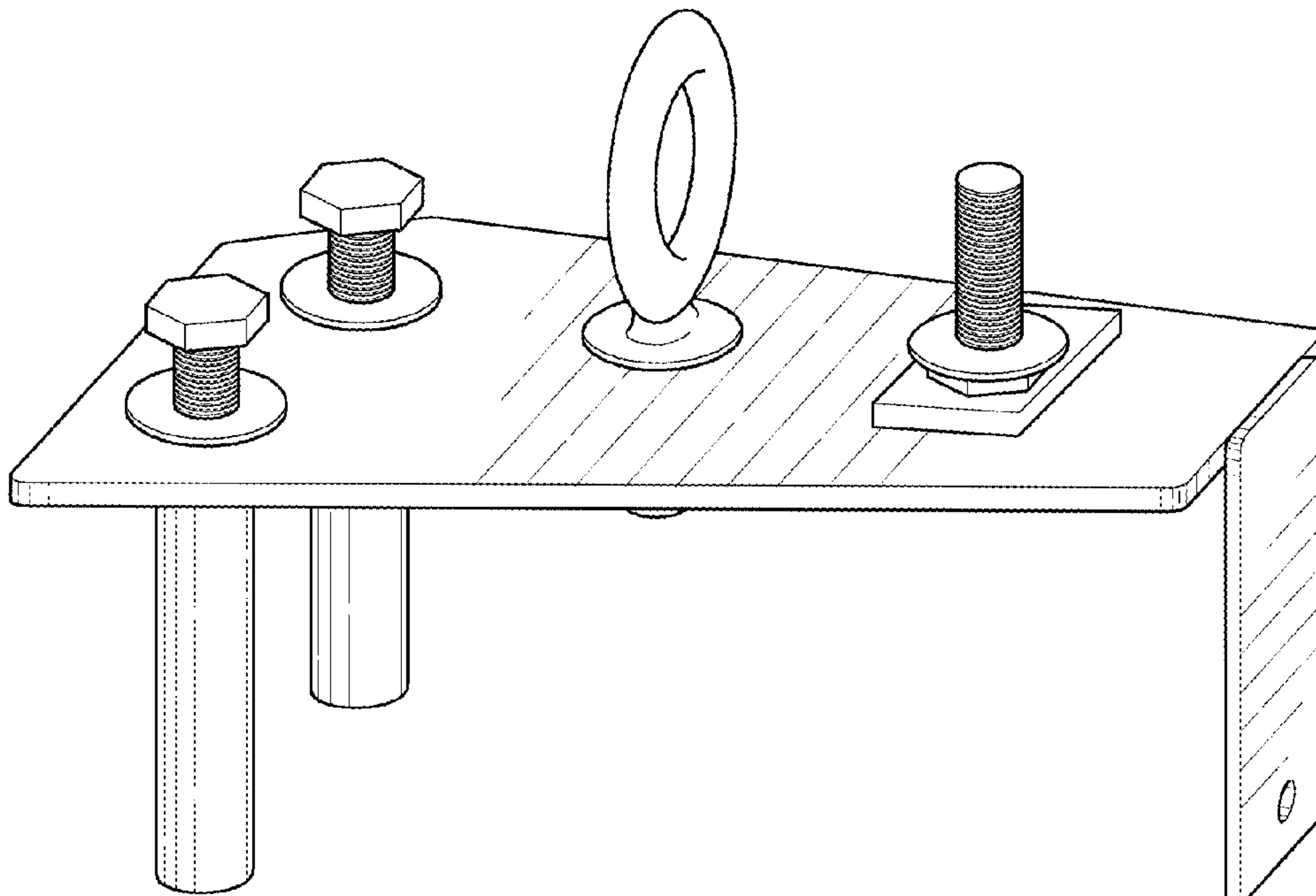
(57) **CLAIM**

The ornamental design for a diesel head bracket, as shown and described.

DESCRIPTION

FIG. 1 is a front perspective view of a diesel head bracket, showing my new design;
FIG. 2 is a front elevation view thereof;
FIG. 3 is a rear elevation view thereof;
FIG. 4 is a right side elevation view thereof;
FIG. 5 is a left side elevation view thereof;
FIG. 6 is a top plan view thereof; and,
FIG. 7 is a bottom plan view thereof.

1 Claim, 4 Drawing Sheets



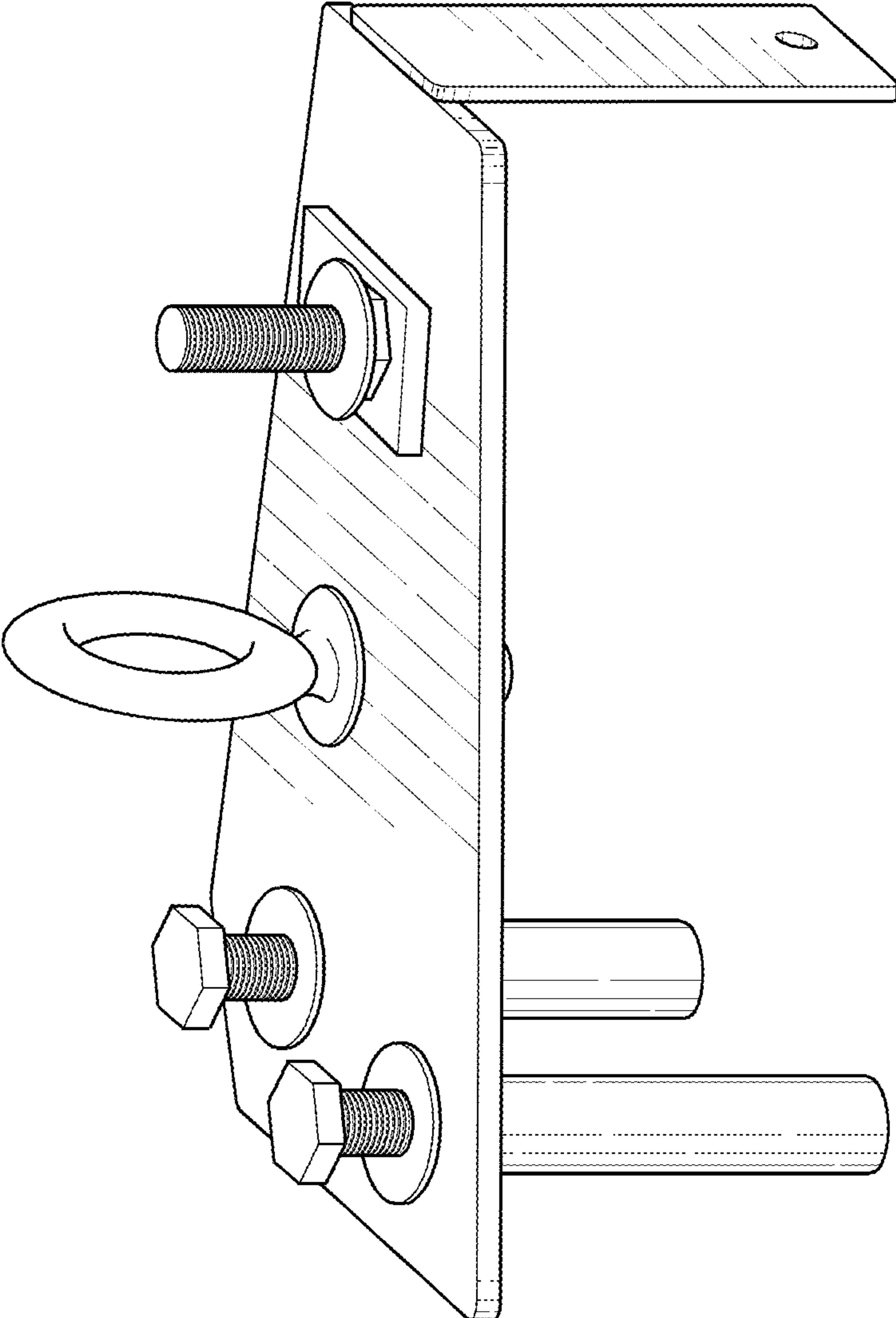
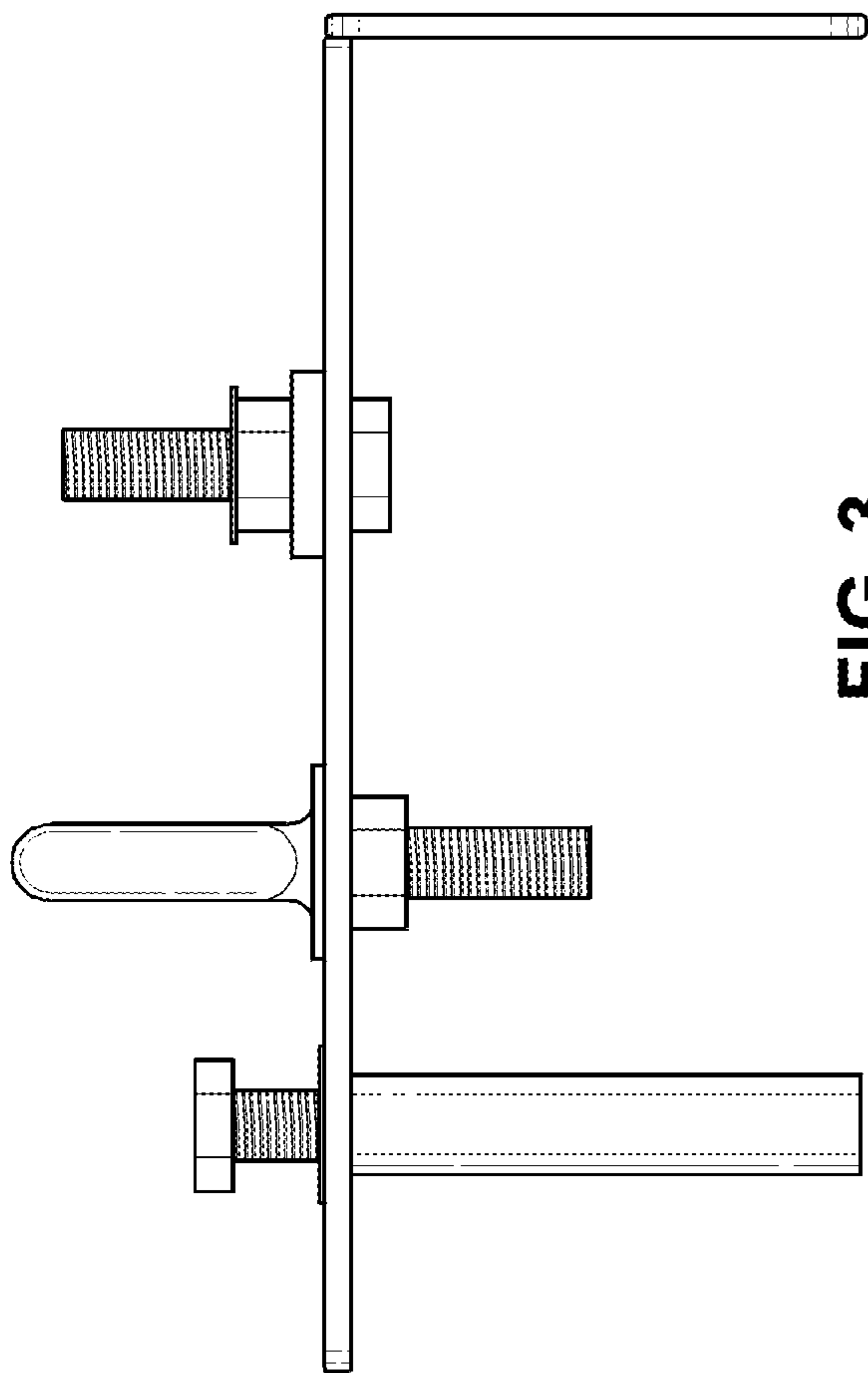
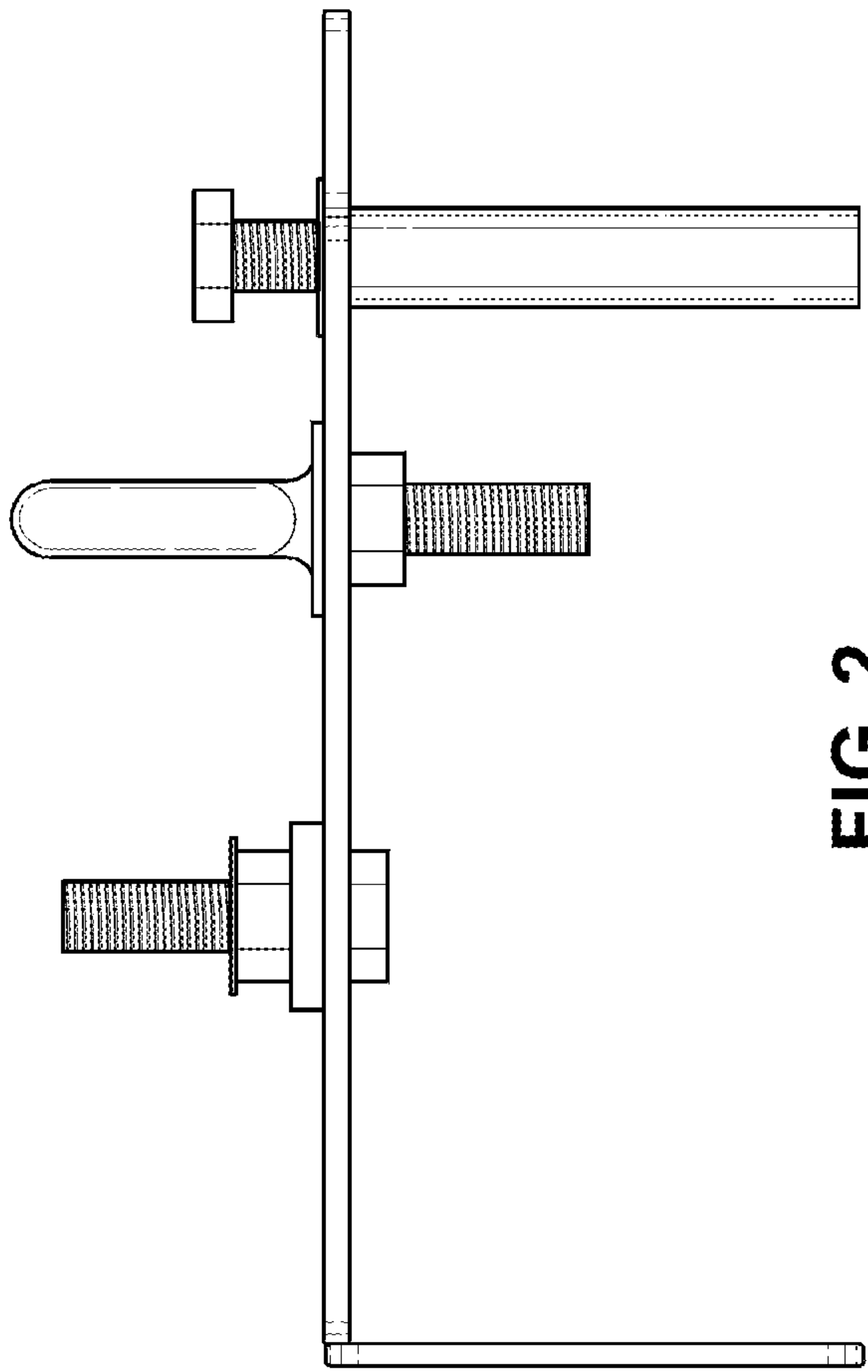


FIG. 1



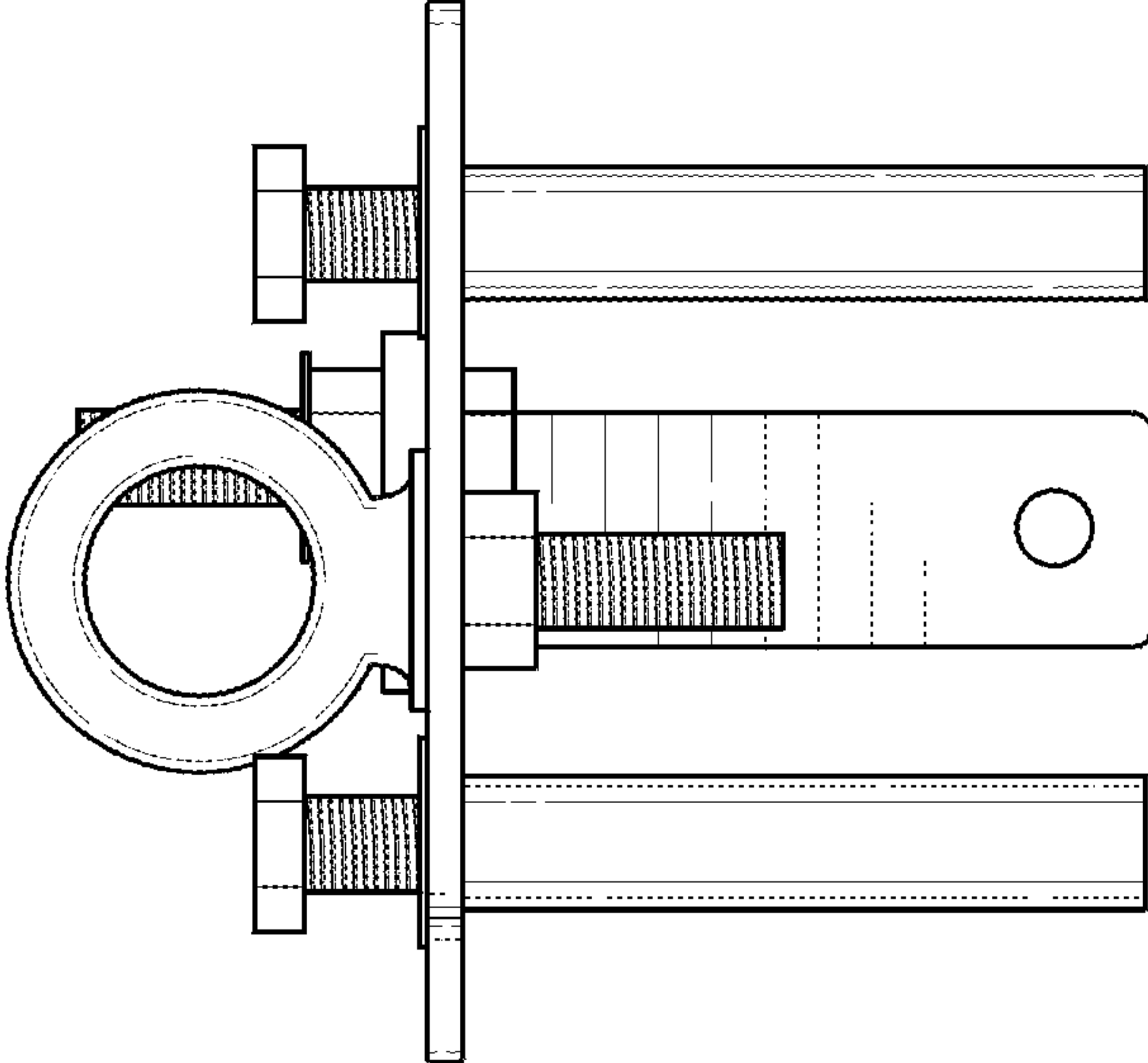


FIG. 5

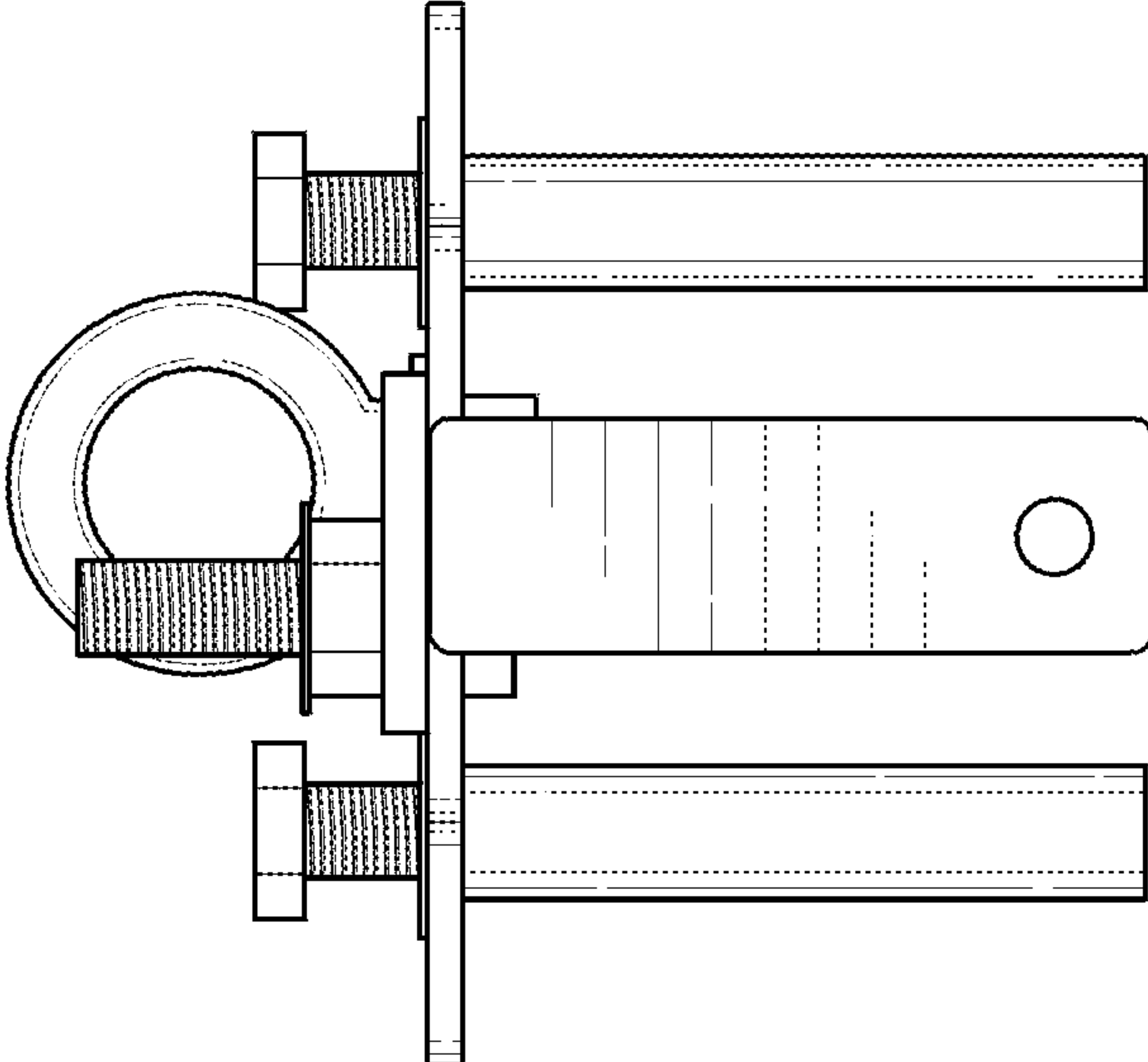


FIG. 4

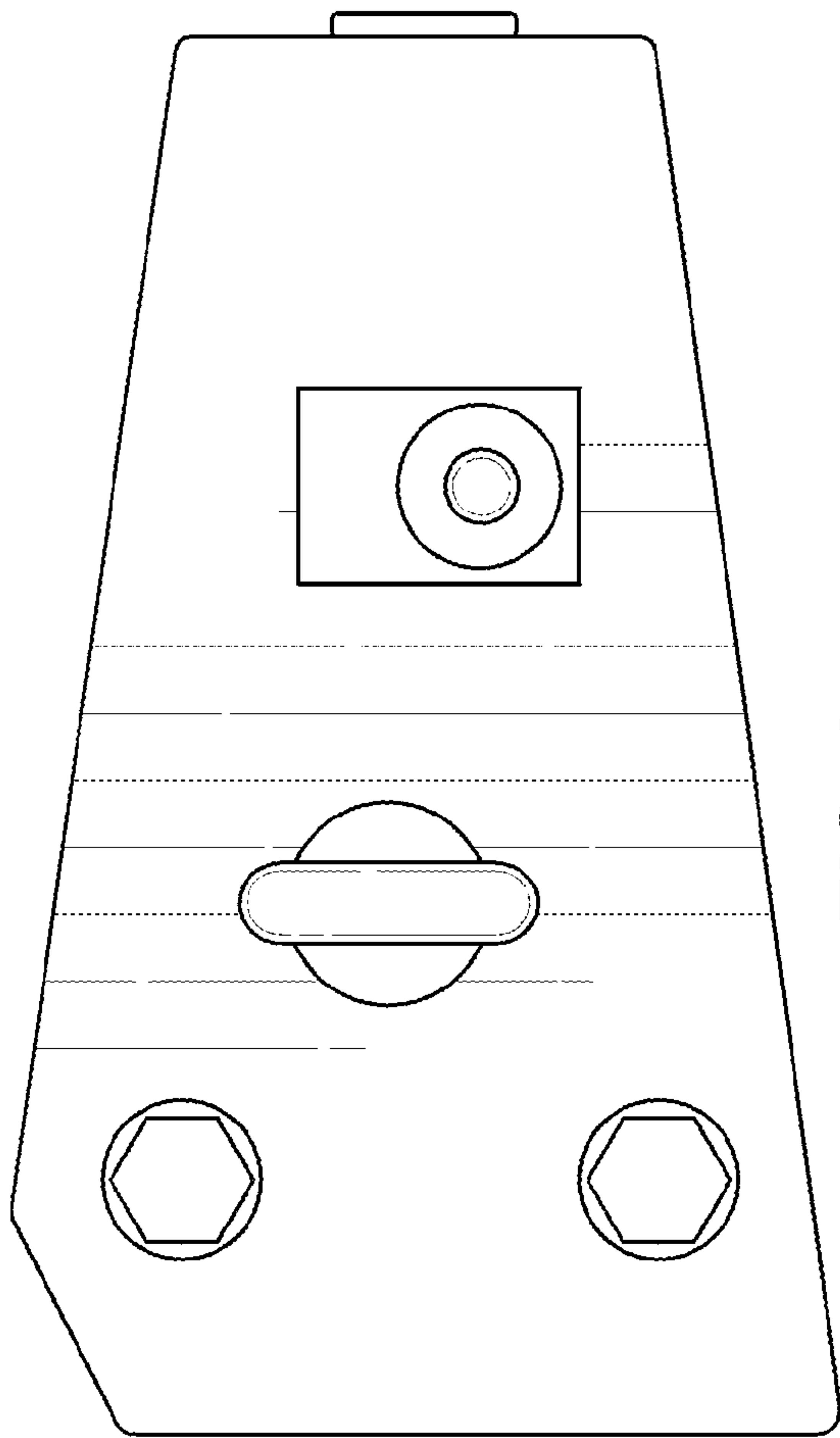


FIG. 6

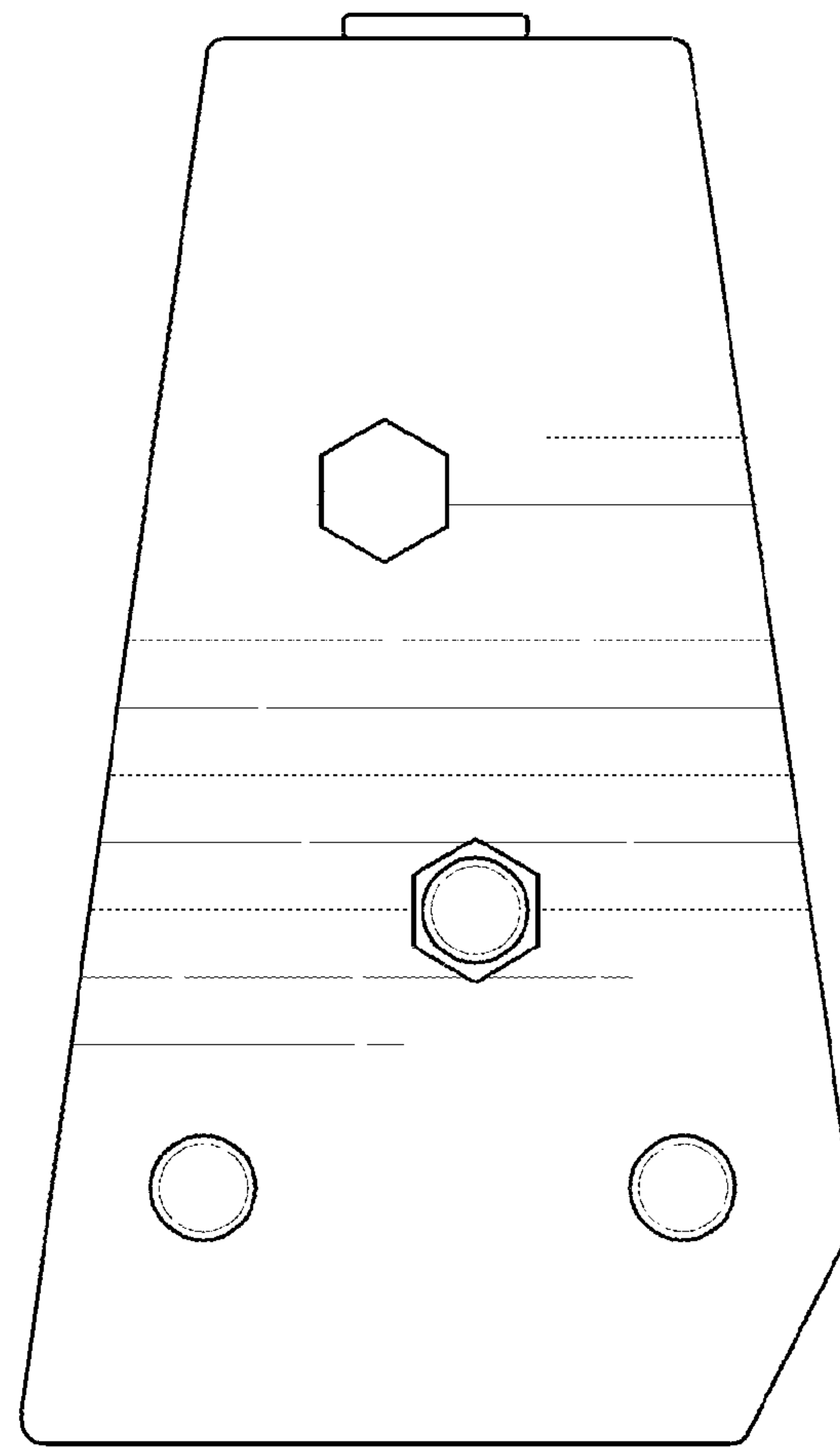


FIG. 7