



US00D965424S

(12) **United States Design Patent**
Flam

(10) **Patent No.:** **US D965,424 S**

(45) **Date of Patent:** **** Oct. 4, 2022**

(54) **CORNER AND EDGE PROTECTOR ATTACHMENT**

(71) Applicant: **Steve A. Flam**, Farmington Hills, MI (US)

(72) Inventor: **Steve A. Flam**, Farmington Hills, MI (US)

(**) Term: **15 Years**

(21) Appl. No.: **29/718,364**

(22) Filed: **Dec. 23, 2019**

Related U.S. Application Data

(63) Continuation of application No. 13/774,203, filed on Feb. 22, 2013, now abandoned.

(51) **LOC (13) Cl.** **08-09**

(52) **U.S. Cl.**
USPC **D8/403**

(58) **Field of Classification Search**
USPC D8/330, 331, 338, 340, 341, 343, 346, D8/403, 400
CPC E05B 13/00; E05B 15/00; E05B 17/00
See application file for complete search history.

(56) **References Cited**

U.S. PATENT DOCUMENTS

D537,337 S * 2/2007 Brockington D8/499
D560,486 S * 1/2008 Ray D8/403

D602,350 S * 10/2009 Lavelle D8/403
D603,263 S * 11/2009 Chaimberg D8/403
7,828,151 B2 * 11/2010 Murdoch B65D 81/057
206/453
D656,007 S * 3/2012 Swoish D8/403
D753,465 S * 4/2016 Marsh D8/349
D753,983 S * 4/2016 Toyne D8/349
D776,298 S * 1/2017 Melin D25/38.1
D783,856 S * 4/2017 Super D24/227
D784,790 S * 4/2017 Marsh D8/349
2014/0237943 A1 * 8/2014 Flam B65D 81/057
206/453
2015/0216366 A1 * 8/2015 Knoll, Jr. A47B 57/045
211/90.01

* cited by examiner

Primary Examiner — Keli L Hill

Assistant Examiner — Harold E Blackwell, II

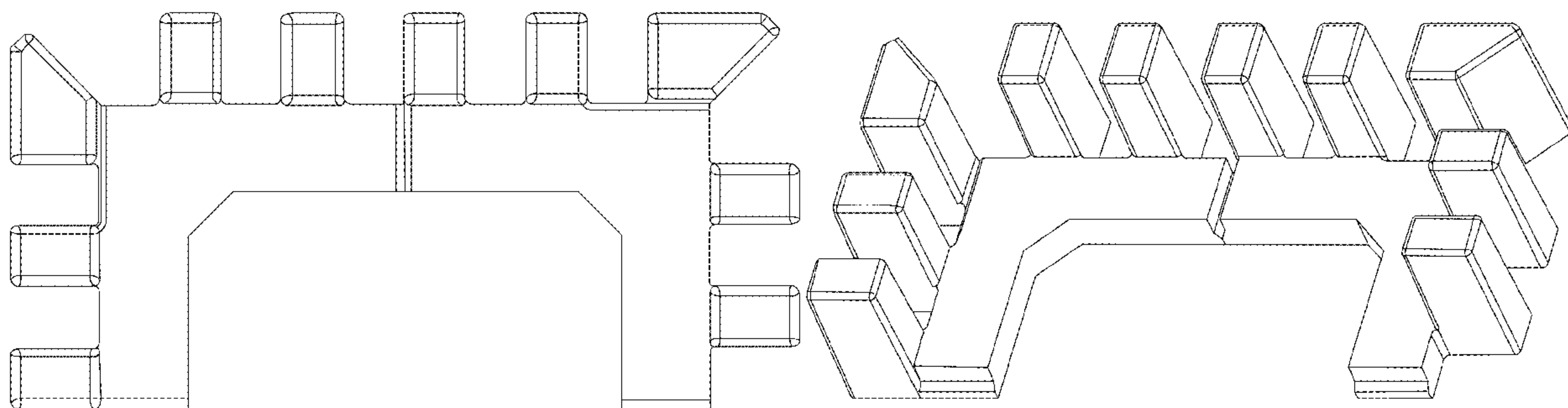
(57) **CLAIM**

The ornamental design for a corner and edge protector attachment, as shown and described.

DESCRIPTION

FIG. 1 is a top plan view of a corner and edge protector attachment, showing our new design;
FIG. 2 is a bottom plan view thereof;
FIG. 3 is a front view thereof;
FIG. 4 is a back view thereof;
FIG. 5 is a first side view thereof.
FIG. 6 is a second side view thereof; and,
FIG. 7 is a perspective view thereof.

1 Claim, 7 Drawing Sheets



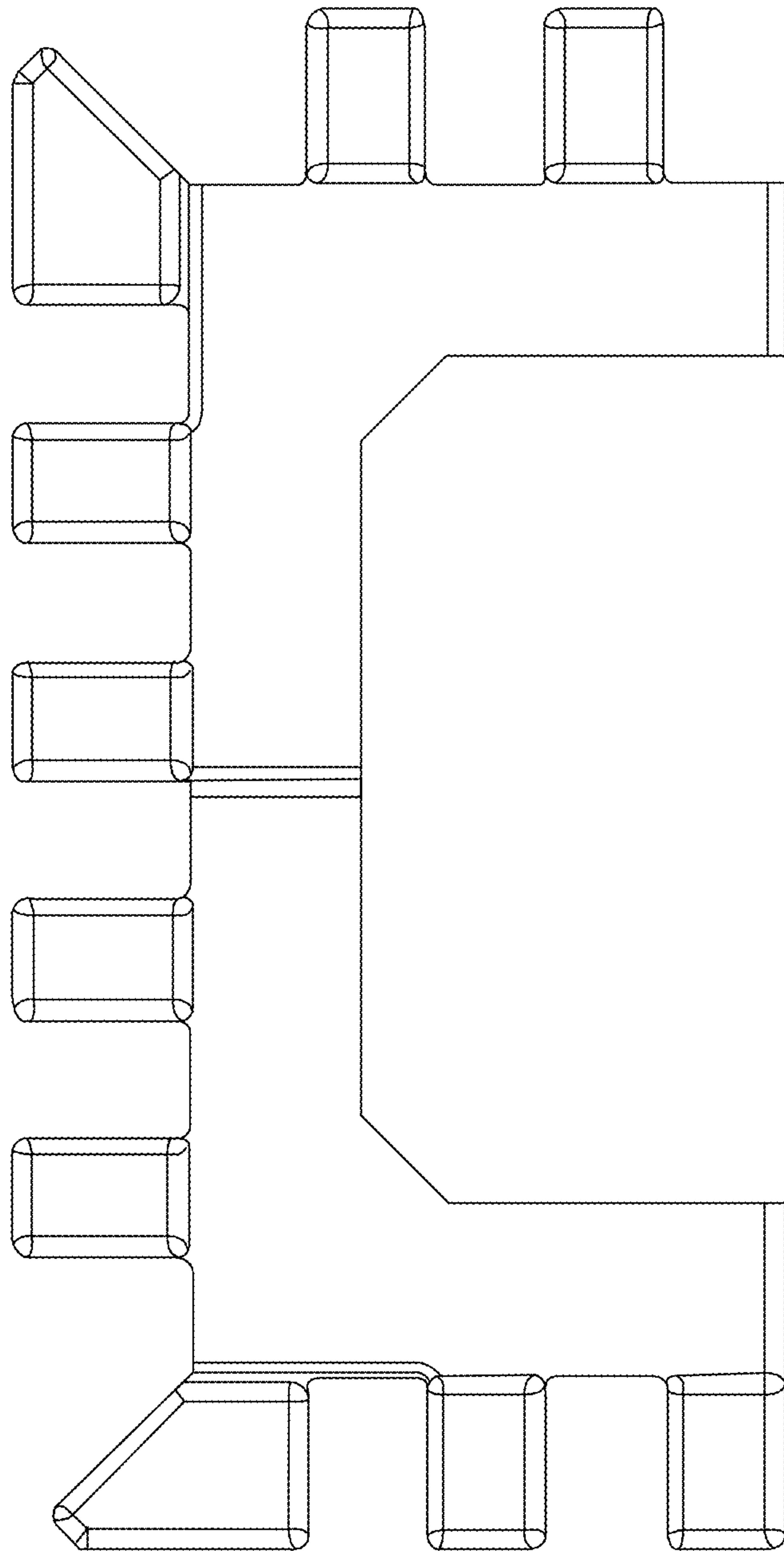


FIG. 1

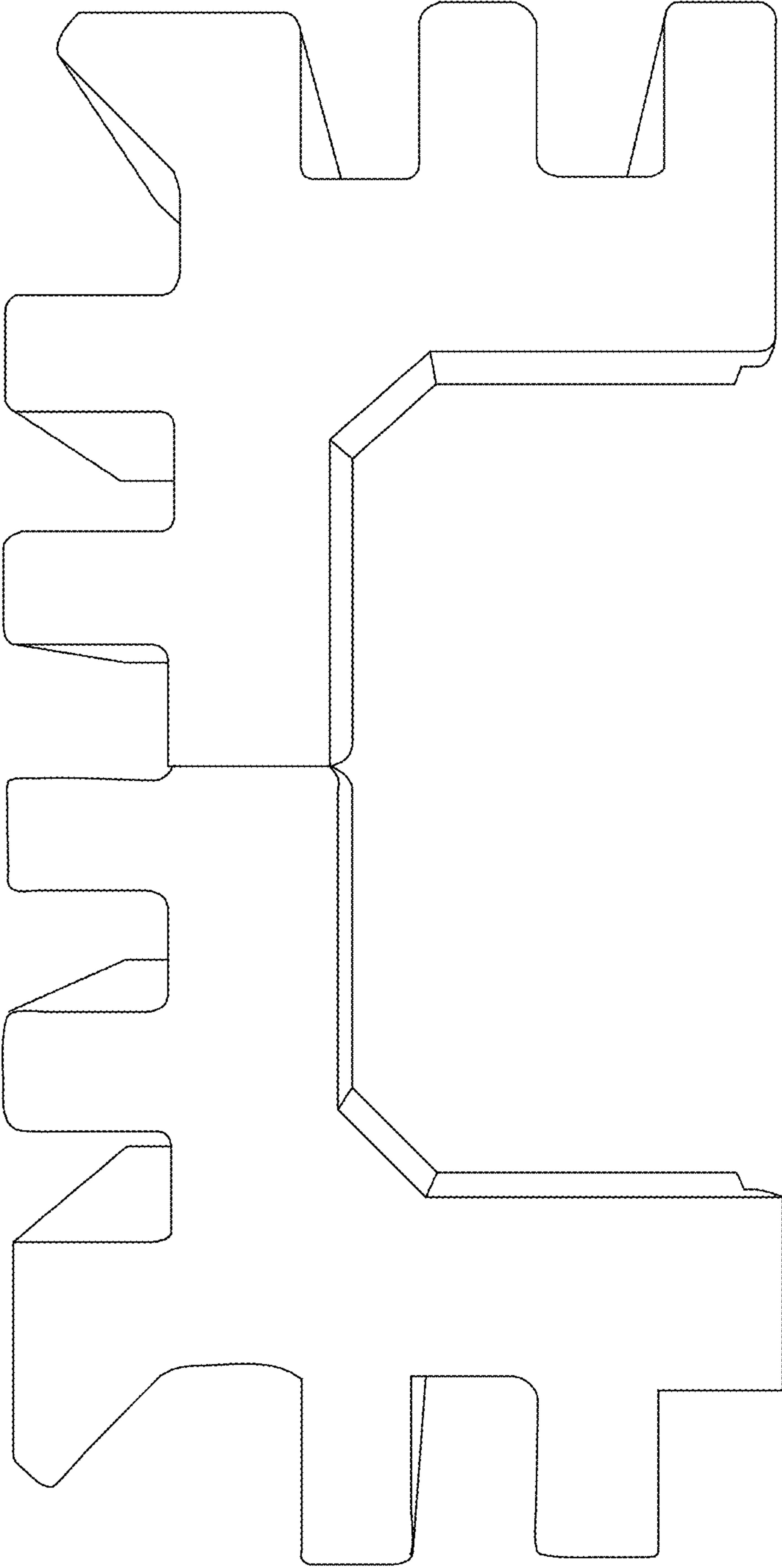


FIG. 2

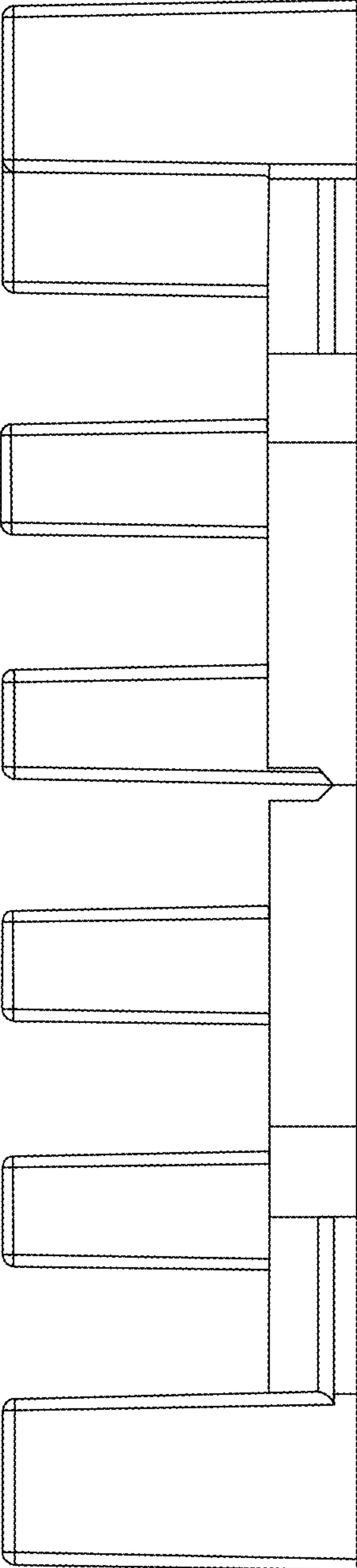


FIG. 3

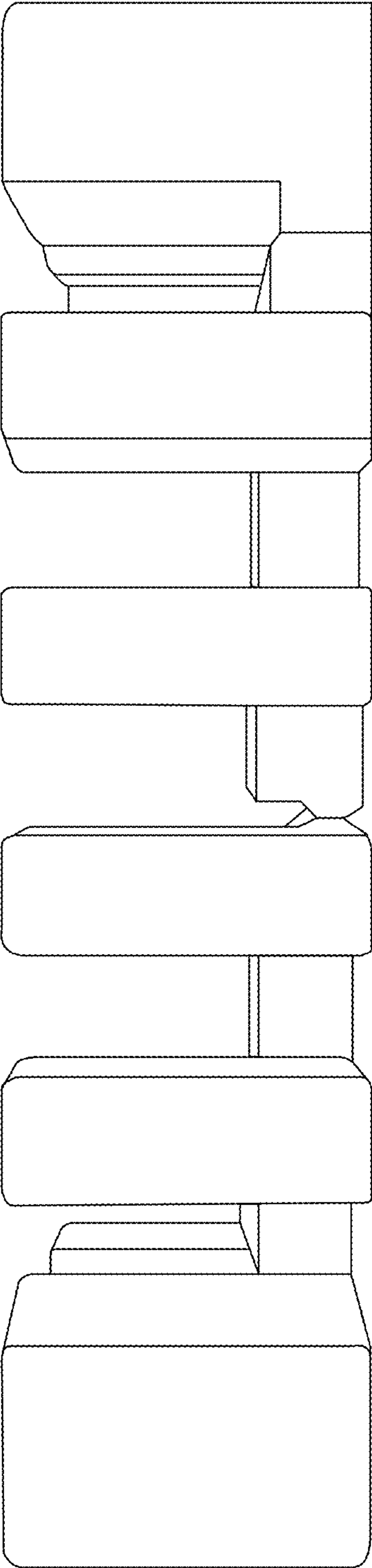


FIG. 4

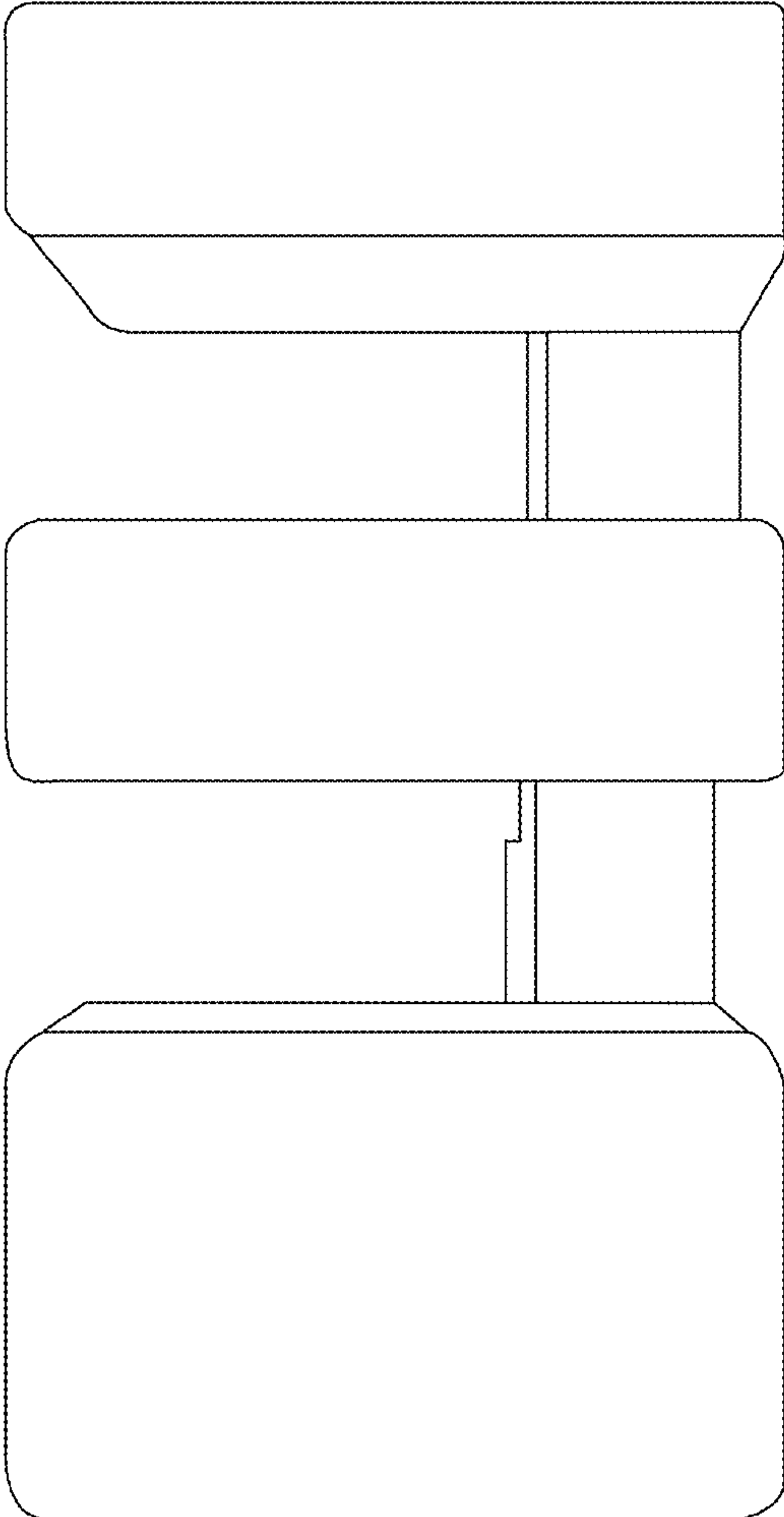


FIG. 5

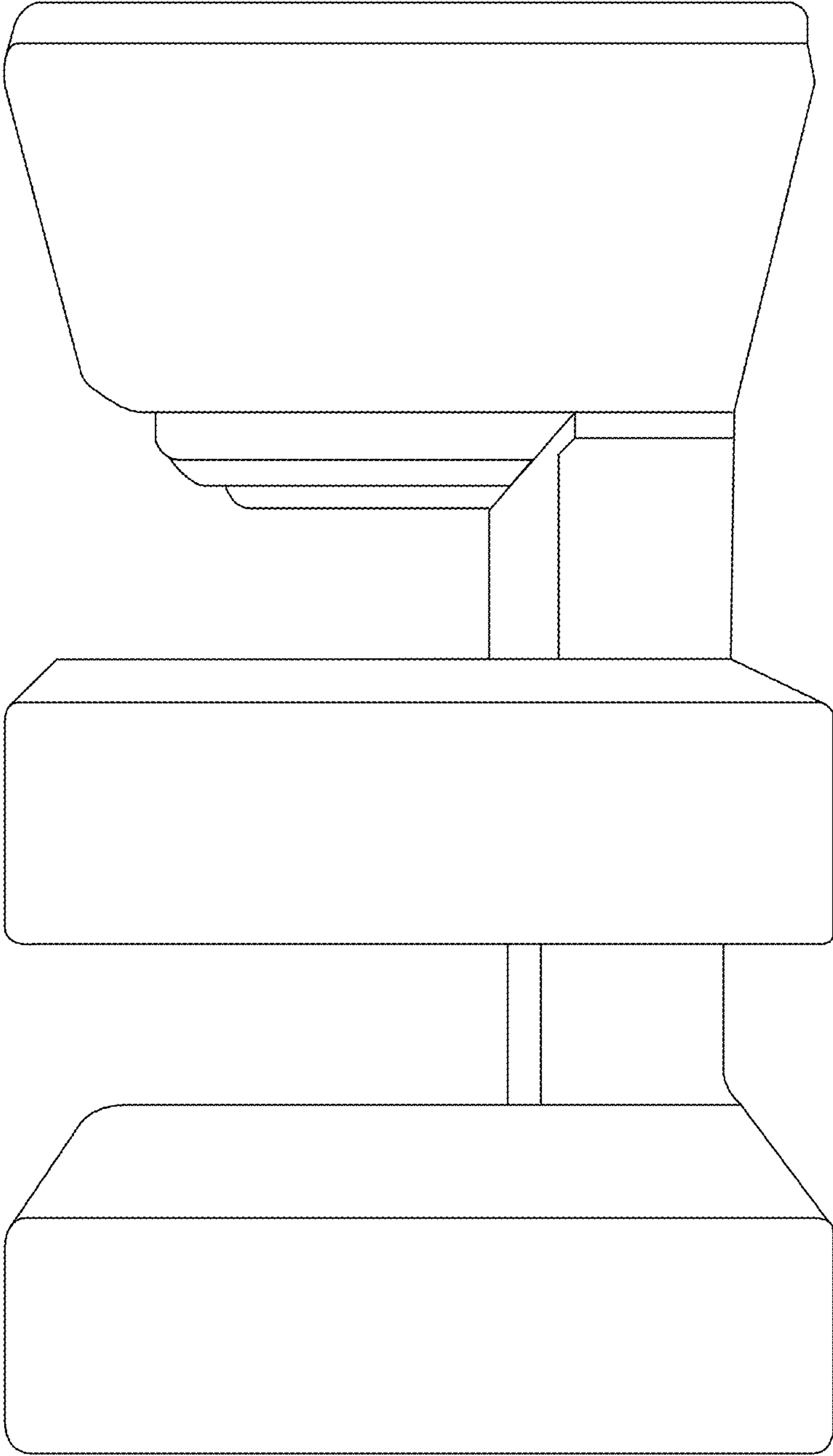


FIG. 6

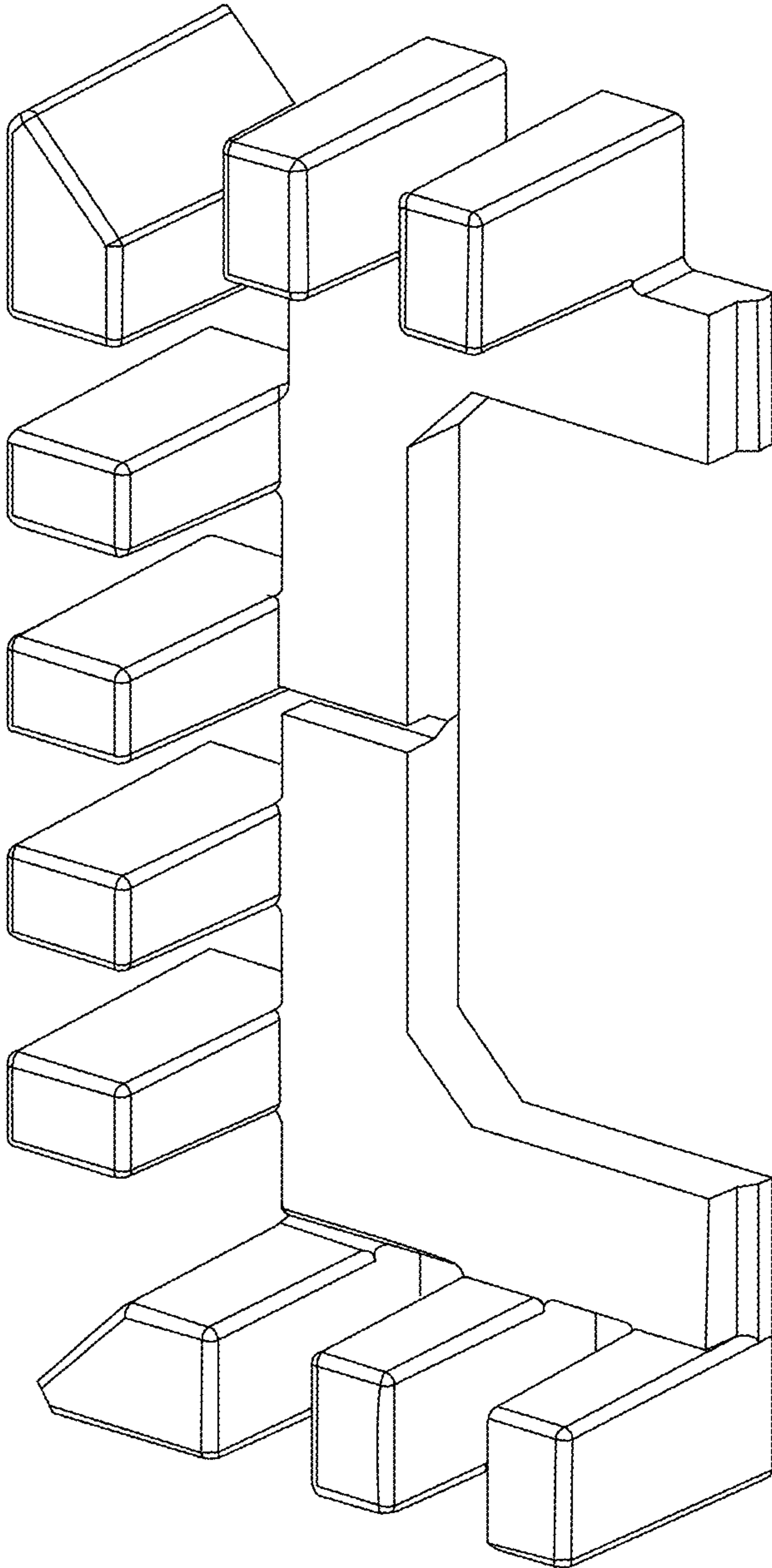


FIG. 7