



US00D965422S

(12) **United States Design Patent**
Lahens

(10) **Patent No.:** **US D965,422 S**

(45) **Date of Patent:** **** Oct. 4, 2022**

(54) **CLIP**

(71) Applicant: **O2COOL, LLC**, Chicago, IL (US)

(72) Inventor: **Luis Lahens**, Boca Raton, FL (US)

(73) Assignee: **O2COOL, LLC**, Chicago, IL (US)

(**) Term: **15 Years**

(21) Appl. No.: **29/728,258**

(22) Filed: **Mar. 17, 2020**

(51) **LOC (13) Cl.** **08-08**

(52) **U.S. Cl.**
USPC **D8/395**

(58) **Field of Classification Search**
USPC D8/70-72, 349, 371, 373-374, 380,
D8/382-383, 394-398, 737; D23/367;
D26/125; D1/102, 125
CPC .. A47G 25/485; B65D 33/1675; D06F 55/02;
F16B 2/10; F16B 2/20
See application file for complete search history.

(56) **References Cited**

U.S. PATENT DOCUMENTS

D91,047 S	11/1933	West	
D110,380 S	7/1938	Watts	
D205,572 S	8/1966	Davies	
D205,876 S *	9/1966	Merritt	D1/102
D230,907 S *	3/1974	Bair, Jr.	D1/102
D350,635 S *	9/1994	White	D1/102
D367,751 S	3/1996	Kellogg et al.	
D372,351 S *	8/1996	Margolis	D1/102
D395,935 S *	7/1998	Grigoli	D1/102
D406,167 S *	2/1999	Wolff	D19/65
D406,185 S *	3/1999	Seidl	D1/102
D406,435 S *	3/1999	Seidl	D1/102
D420,198 S *	2/2000	Grigoli	D1/101
D442,349 S	5/2001	Habib	
D498,896 S	11/2004	Stoddart et al.	
D544,177 S	6/2007	Beecham	

D544,787 S *	6/2007	Dash	D8/395
D552,326 S *	10/2007	Evans	D1/102
D704,541 S *	5/2014	Goodman	D8/395
D706,616 S *	6/2014	Katz	D8/394
D707,546 S *	6/2014	Katz	D8/394
D714,681 S *	10/2014	Katz	D11/215
D752,966 S *	4/2016	Katz	D8/395
D752,967 S *	4/2016	Katz	D8/395

(Continued)

OTHER PUBLICATIONS

“Popsicle Pool Float”, Sep. 8, 2016, Amazon.com, site visited Sep. 17, 2021: <https://www.amazon.com/Popsicle-Swimming-Inflatable-Sol-Coastal/dp/B01LT2FSH2> (Year: Sep. 8, 2016) (Year: 2016).*

(Continued)

Primary Examiner — Jack Reickel
Assistant Examiner — Michael A Kervin
(74) *Attorney, Agent, or Firm* — Thompson Coburn LLP

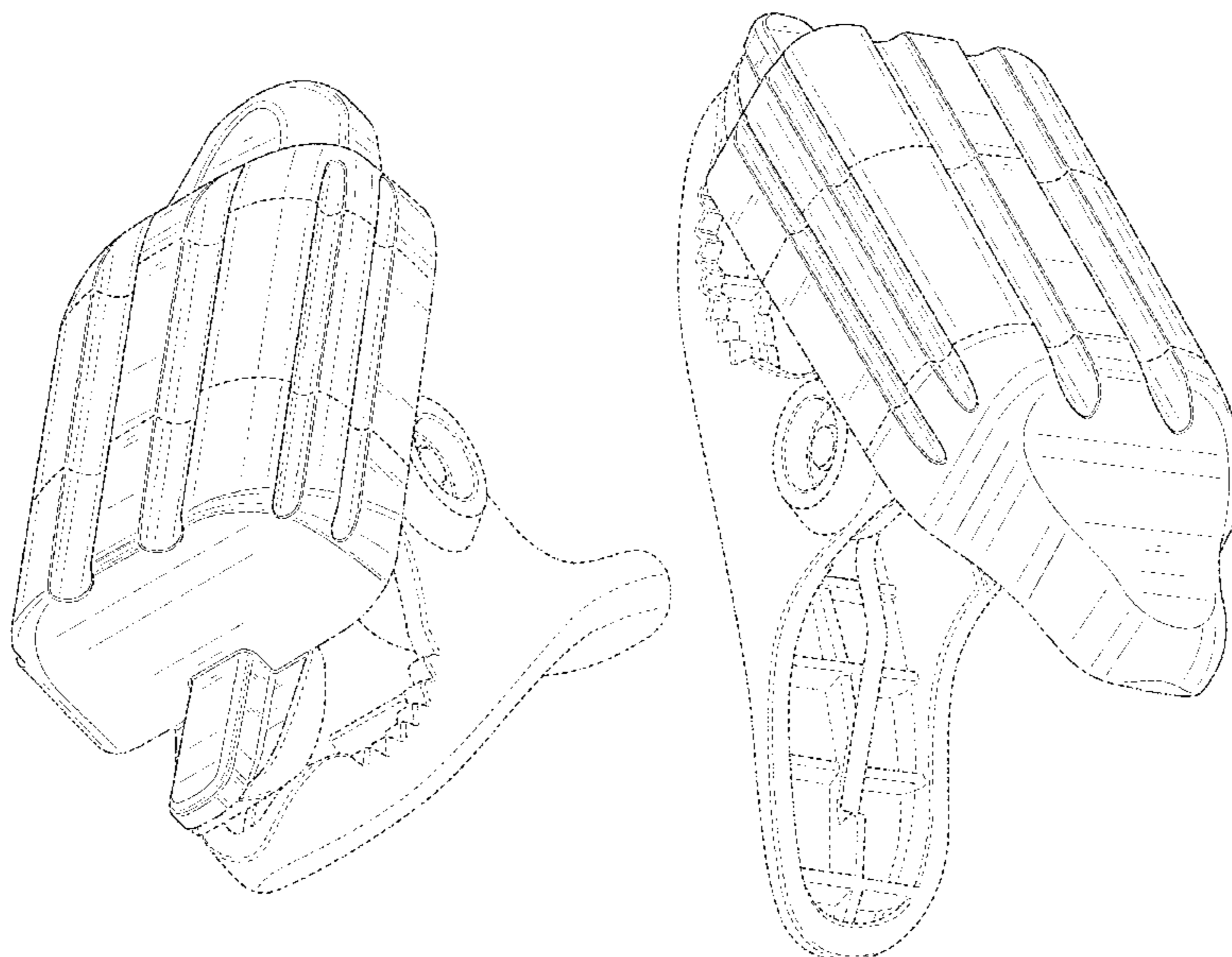
(57) **CLAIM**

The ornamental design for a clip, as shown and described.

DESCRIPTION

FIG. 1 is a first perspective view of the clip showing our my design;
FIG. 2 is a right side view thereof;
FIG. 3 is a left side view thereof;
FIG. 4 is a front view thereof;
FIG. 5 is a rear view thereof;
FIG. 6 is a top view thereof;
FIG. 7 is a bottom view thereof; and,
FIG. 8 is a second perspective view thereof.
The dash-dot-dash broken lines immediately adjacent the shaded areas represent the bounds of the claimed design while all other broken lines are directed to environment. The broken lines form no part of the claimed design.

1 Claim, 8 Drawing Sheets



(56)

References Cited

U.S. PATENT DOCUMENTS

D780,434 S	*	3/2017	Daniels	D2/976
D832,093 S	*	10/2018	Ksiazek	D8/395
D832,693 S	*	11/2018	Ksiazek	D8/395
D837,641 S	*	1/2019	Ksiazek	D8/395
D837,642 S	*	1/2019	Ksiazek	D8/395
D873,126 S	*	1/2020	Tang	D8/395
D924,674 S	*	7/2021	Mangano	D8/395
D927,855 S	*	8/2021	Marrelli	D4/116
D942,257 S	*	2/2022	Lahens	D8/395
2009/0011106 A1		1/2009	Givati et al.		

OTHER PUBLICATIONS

“Cool Pup Dog Toy”, Sep. 4, 2017, Amazon.com, site visited Sep. 17, 2021: <https://www.amazon.com/Cool-Pup-Rocket-Popsicle-Shaped/dp/B072MCLDFP> (Year: Sep. 4, 2017) (Year: 2017).*

“Whimsy Kei Popsicle Clips”, Aug. 3, 2018, Facebook.com, site visited Sep. 17, 2021: <https://www.facebook.com/whimsykei> (Year: Aug. 3, 2018) (Year: 2018).*

“Ice Cream Shape Clips”, Dec. 18, 2019, Amazon.com, site visited Sep. 17, 2021: <https://www.amazon.com/Glitter-Boutique-Barrettes-hairpins-accessories/dp/B07VVNNGB7> (Year: Dec. 18, 2019) (Year: 2019).*

“DIY Rainbow Popsicle Soap”, YouTube.com, Jun. 12, 2015, site visited Sep. 20, 2021, <https://www.youtube.com/watch?v=zymMiwUtbqE>.

“Smart Design Plastic Clothespins”, Amazon.com, May 11, 2012, site visited Sep. 20, 2021, <https://www.amazon.com/Smart-Design-Plastic-Clothespins-Organization/dp/B00827L0MU>.

“Whimsy Kei Popsicle Clips 1”, Facebook.com, Aug. 3, 2018, site visited Sep. 20, 2021, <https://www.facebook.com/whimsykei>.

“Whimsy Kei Popsicle Clips 2”, Facebook.com, Feb. 5, 2019, site visited Sep. 20, 2021, <https://www.facebook.com/whimsykei>.

* cited by examiner

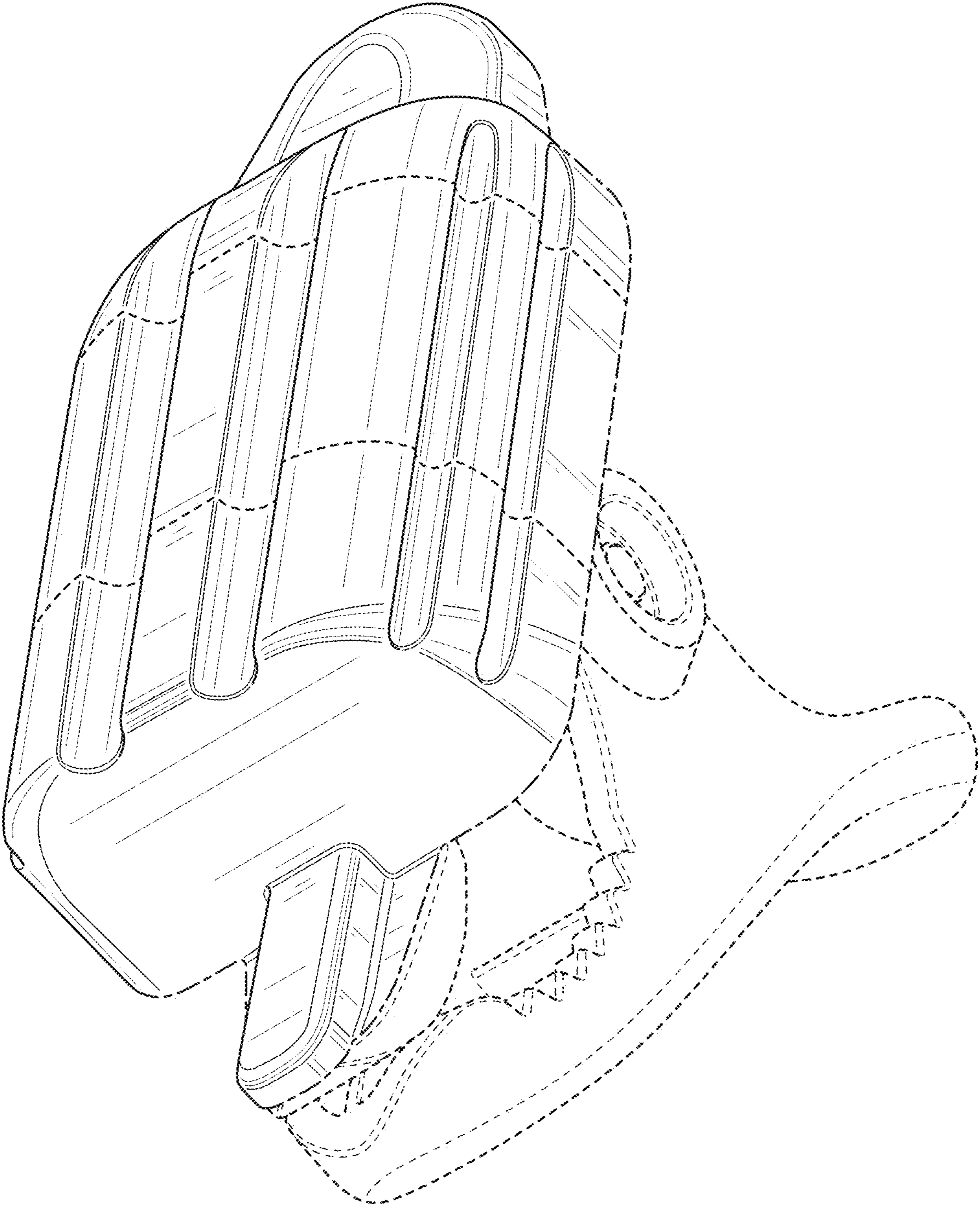


FIG. 1

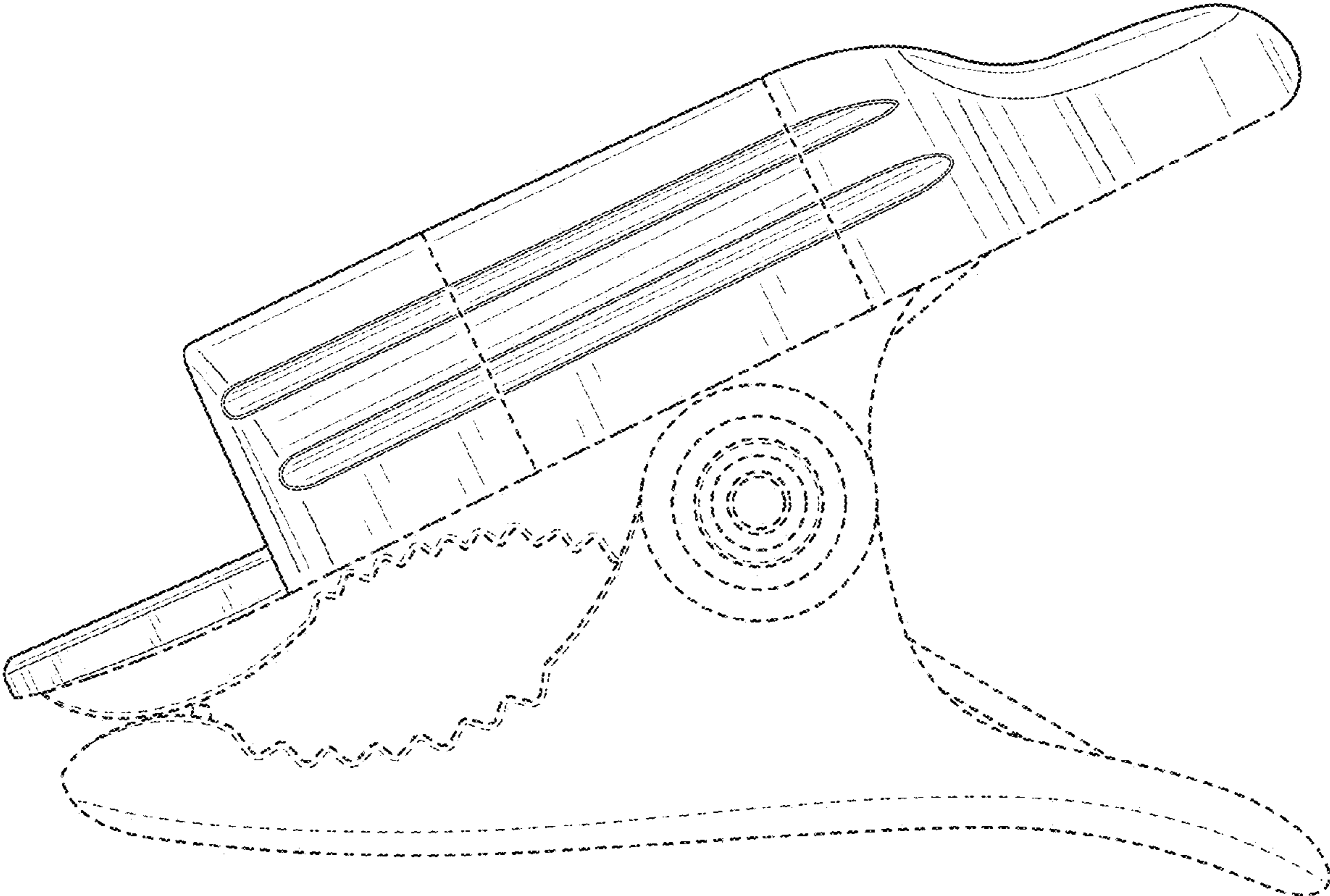


FIG. 2

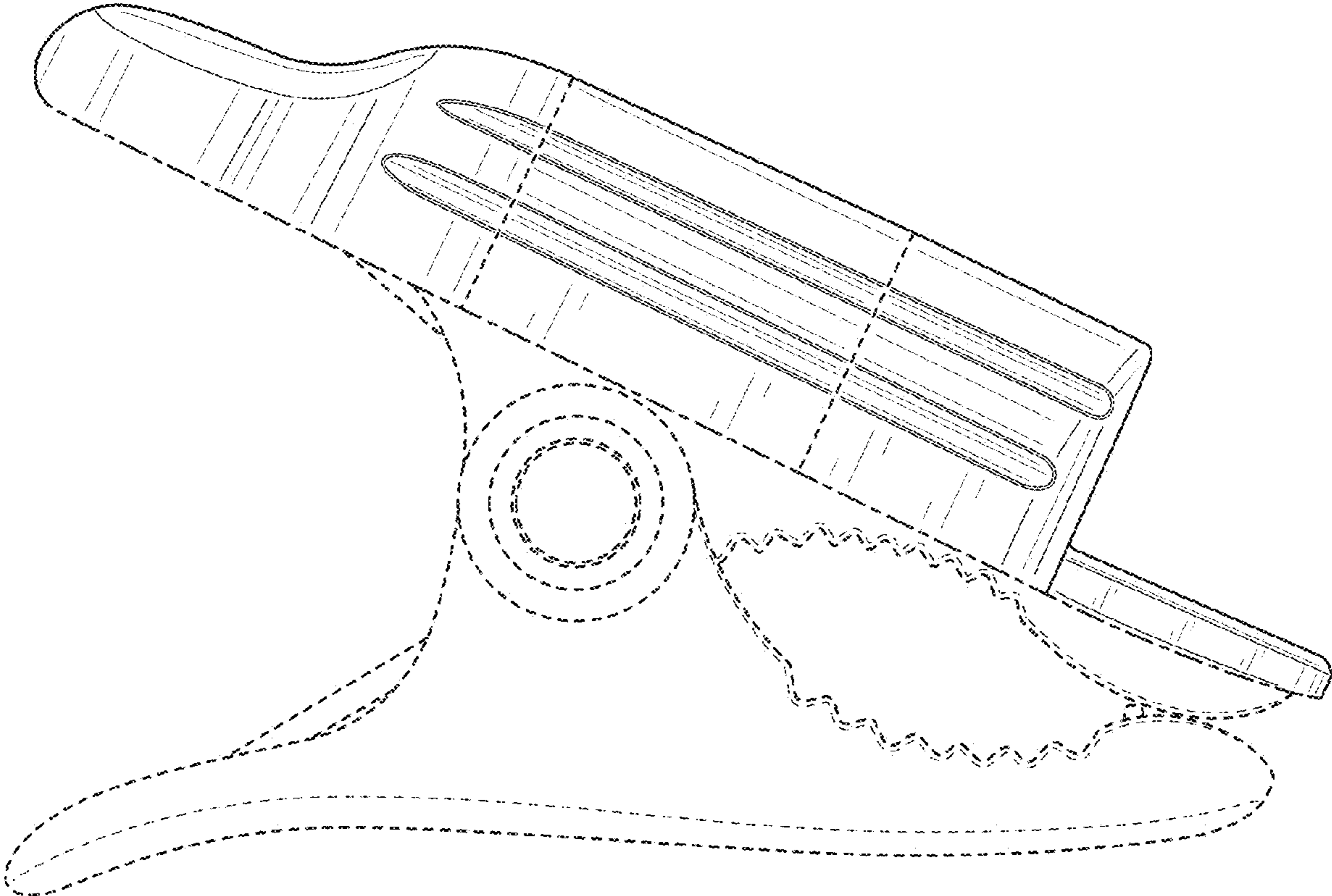


FIG. 3

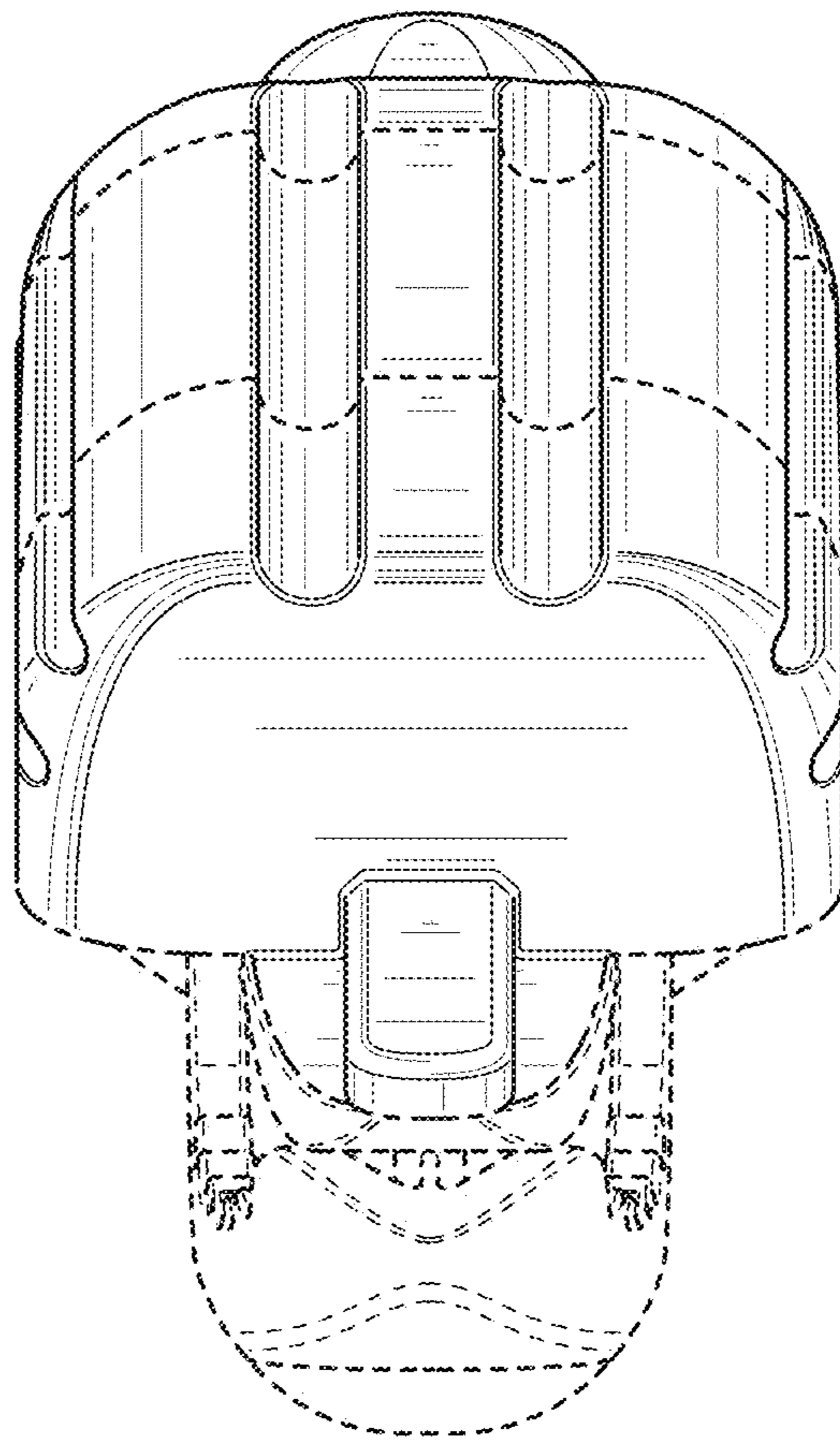


FIG. 4

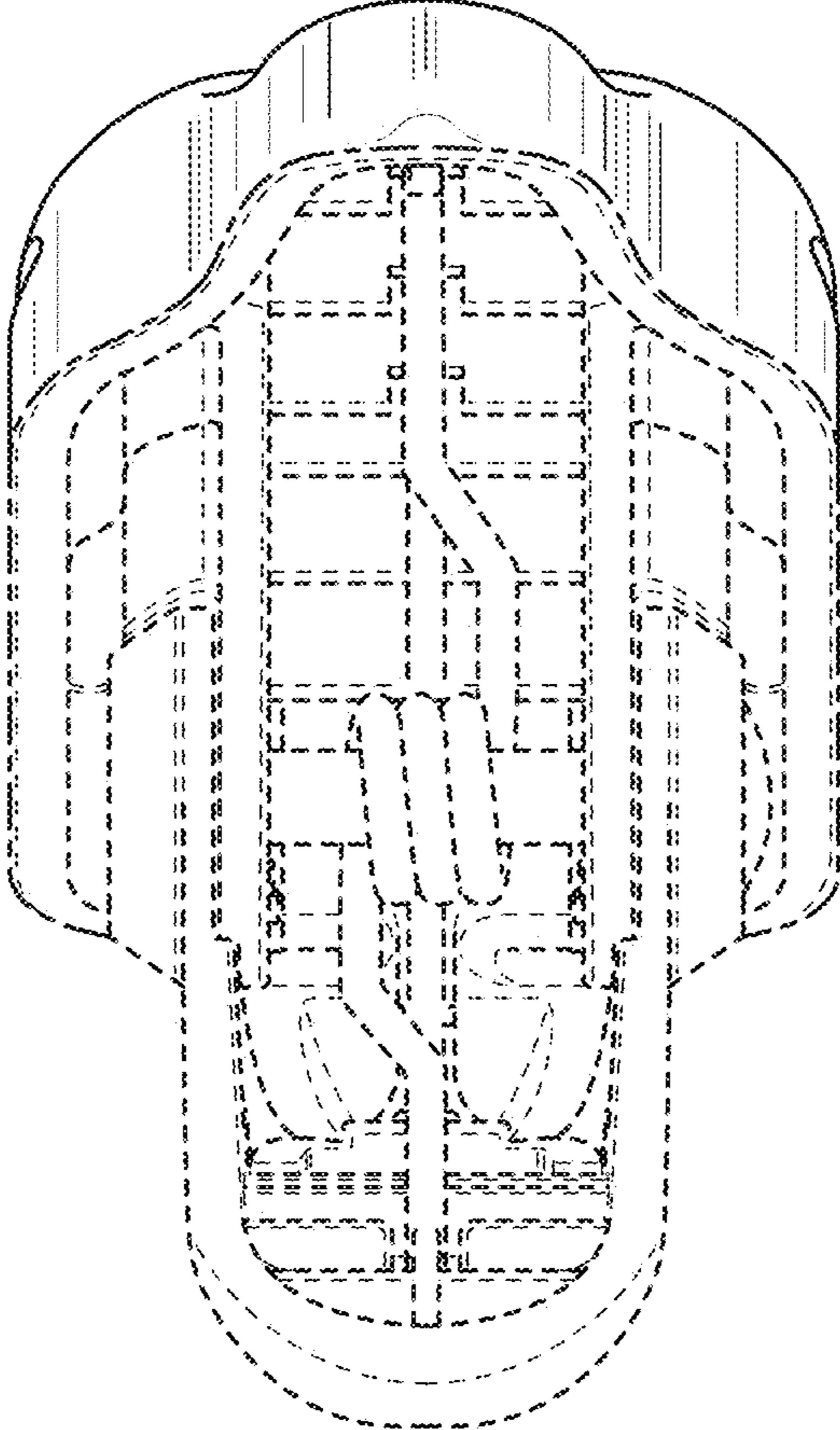


FIG. 5

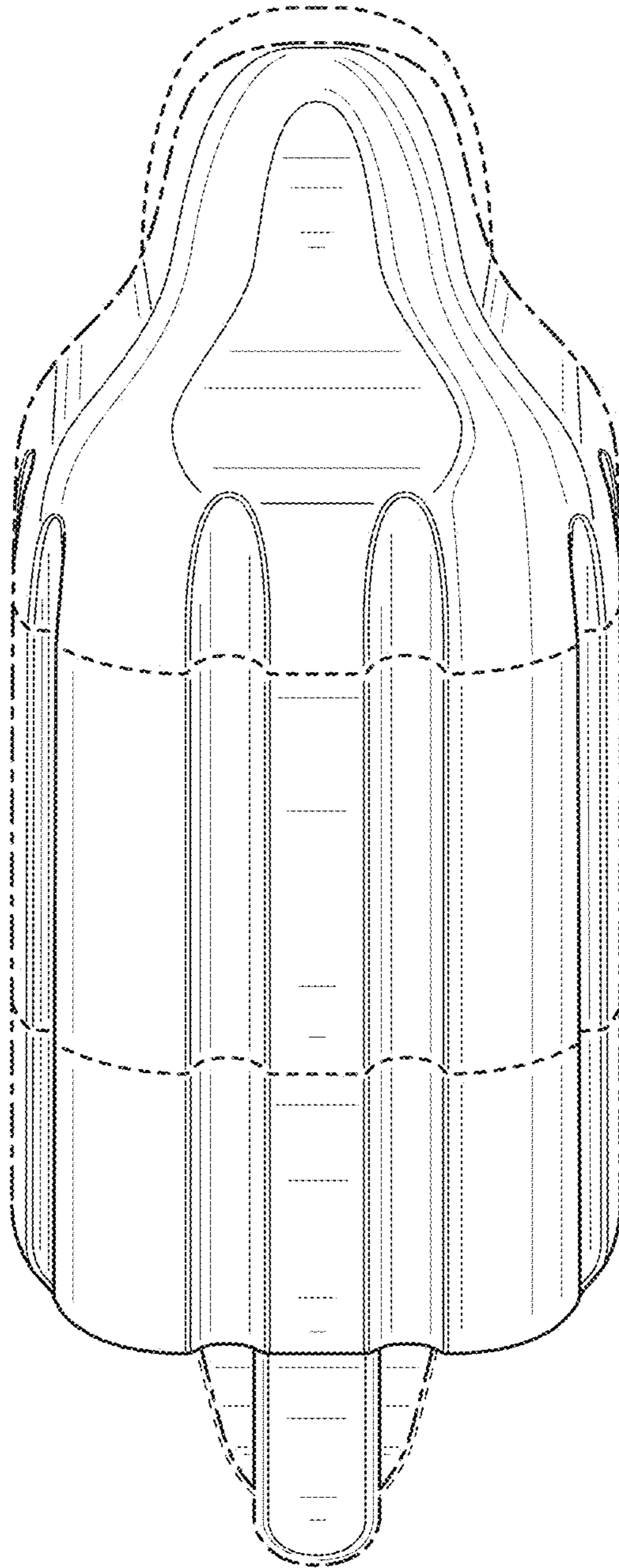


FIG. 6

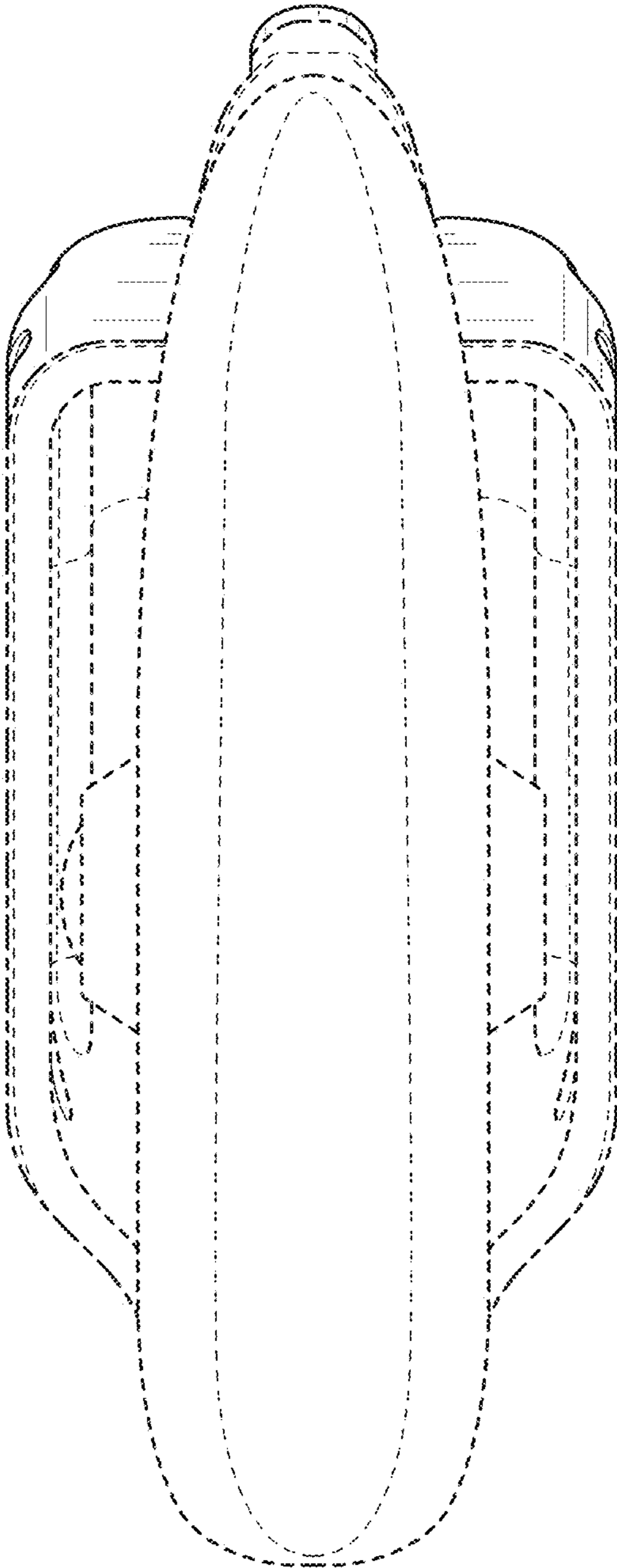


FIG. 7

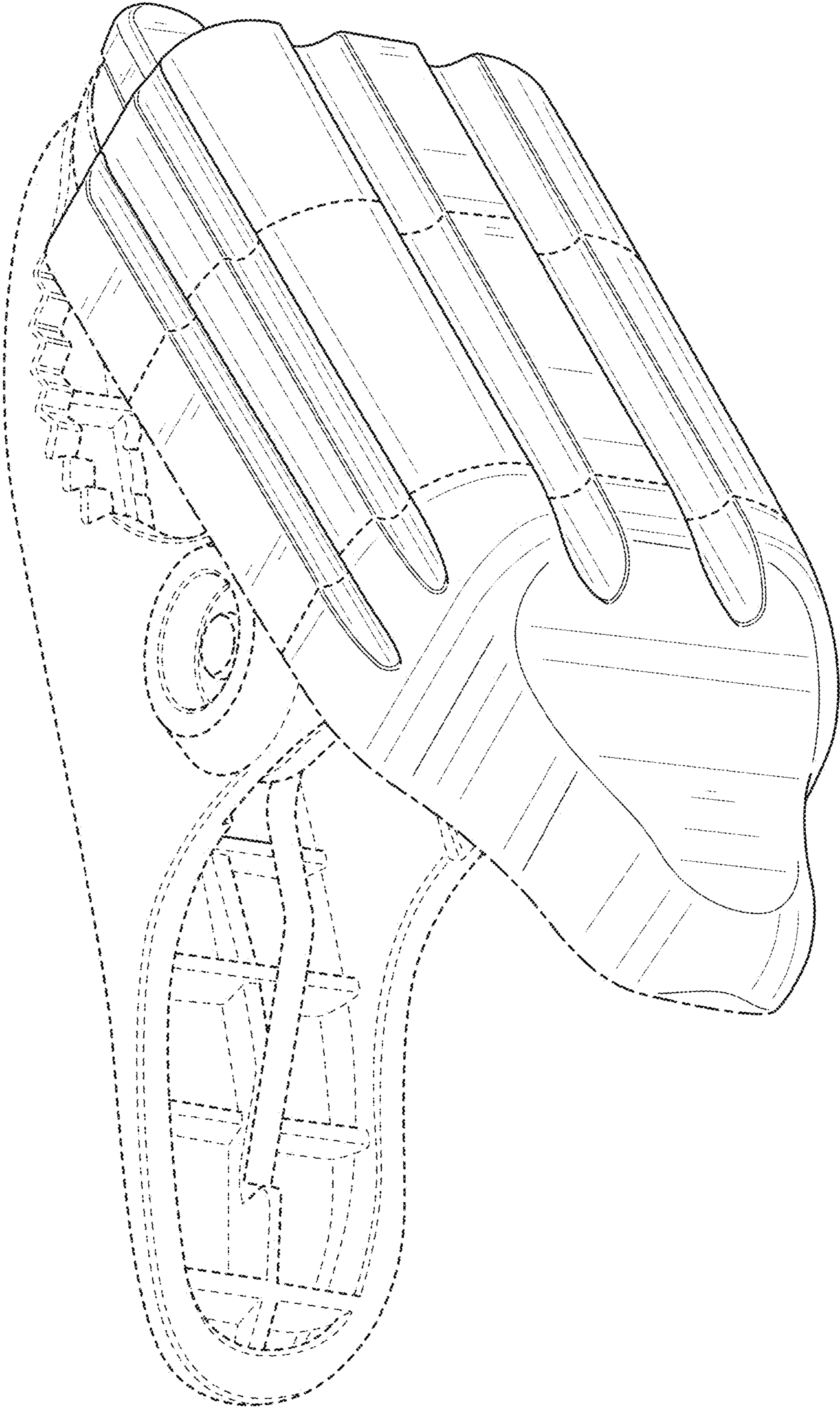


FIG. 8