



US00D965421S

(12) **United States Design Patent** (10) **Patent No.:** **US D965,421 S**  
**Beckwith et al.** (45) **Date of Patent:** **\*\* \*Oct. 4, 2022**

(54) **WATER METER TOOL**  
(71) Applicant: **OLYMPIA TOOLS INTERNATIONAL, INC.**, Covina, CA (US)

D480,933 S \* 10/2003 Wendt ..... D8/21  
7,000,897 B2 \* 2/2006 Chick ..... F16K 31/46  
251/293  
7,118,091 B2 \* 10/2006 Price ..... F16K 35/06  
251/293

(Continued)

(72) Inventors: **Jonathan S. Beckwith**, Durham, NC (US); **Roger Dale Hurley, Jr.**, Raleigh, NC (US)

**FOREIGN PATENT DOCUMENTS**

CN 202120475239.X \* 10/2021

(73) Assignee: **Olympia Tools International, Inc.**, Covina, CA (US)

**OTHER PUBLICATIONS**

(\* ) Notice: This patent is subject to a terminal disclaimer.

Husky 4-in-1 Combination Water Meter Valve Tool , first available Mar. 18 2021 (Based on WaybackMachine.com), Google.com, [online], [site visited Feb. 26, 2022], Available from internet URL: <https://www.homedepot.com/p/Husky-4-in-1-Combination-Water-Meter-Valve-Tool-410-409-0111/313634366> (Year: 2021).\*

(Continued)

(\*\*) Term: **15 Years**

*Primary Examiner* — Omeed Agilee

(21) Appl. No.: **29/737,805**

*Assistant Examiner* — Rozita Mozaffarian

(22) Filed: **Jun. 11, 2020**

(51) **LOC (13) Cl.** ..... **08-08**

(74) *Attorney, Agent, or Firm* — Patterson + Sheridan, LLP

(52) **U.S. Cl.**

USPC ..... **D8/394**; D8/81

(58) **Field of Classification Search**

USPC ..... D8/14, 105, 27, 394, 25, 21, 24, 58, 57, D8/56, 54, 52, 80, 29.1, 81; D23/213; D15/13, 140; D13/123; D10/49, 99  
CPC ..... B25B 21/002; B25B 13/481; B25B 13/48; B25B 21/00; B25B 23/14; B25B 23/145; F16K 31/607; F16K 35/06; B25F 1/04  
See application file for complete search history.

(57) **CLAIM**

The ornamental design for a water meter tool, as shown and described.

**DESCRIPTION**

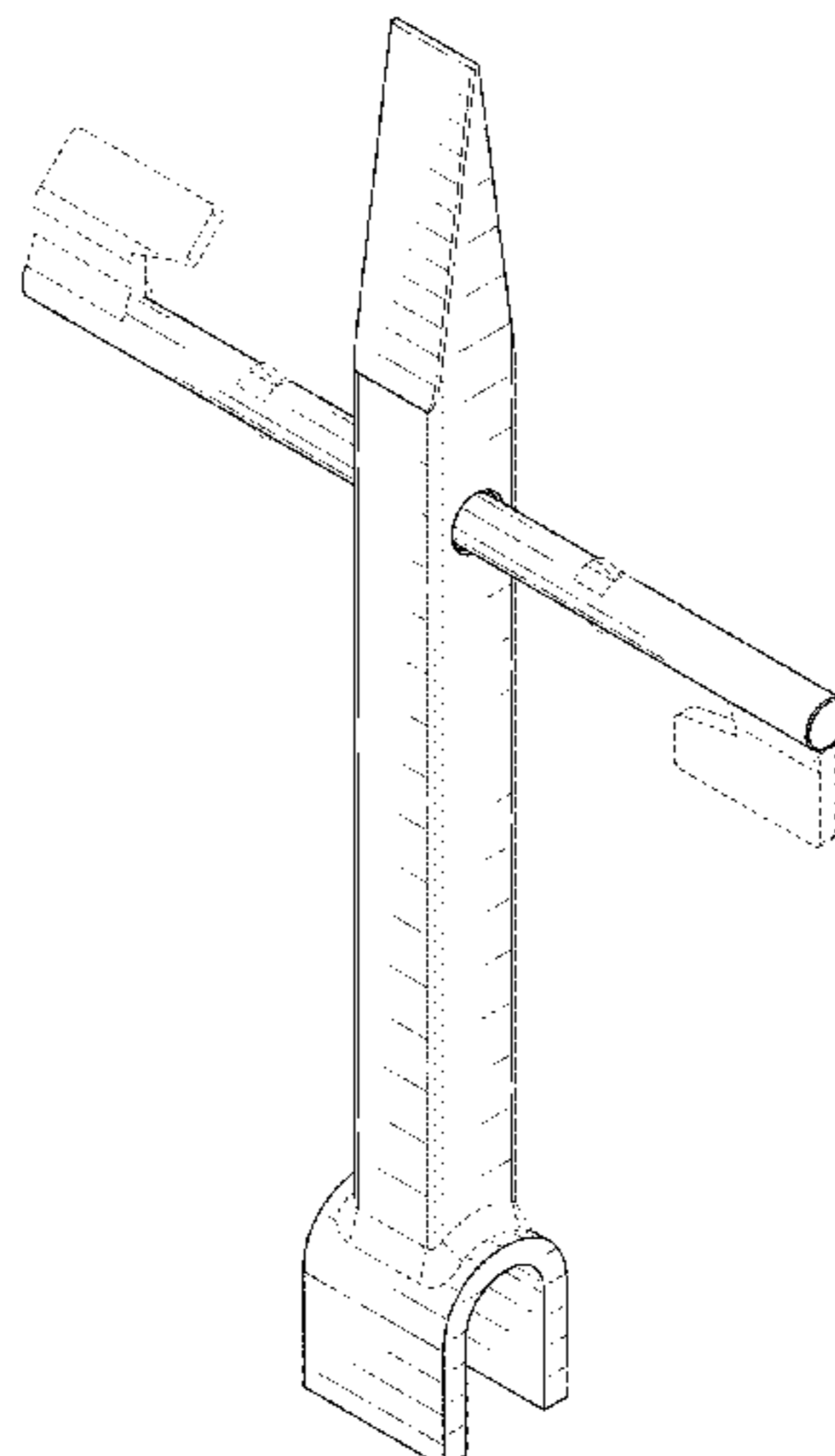
FIG. 1 is a top left front perspective view of a water meter tool showing our new design;  
FIG. 2 is a front elevational view thereof;  
FIG. 3 is a rear elevational view thereof;  
FIG. 4 is a right elevational view thereof;  
FIG. 5 is a left elevational view thereof;  
FIG. 6 is a top plan view thereof; and,  
FIG. 7 is a bottom plan view thereof.  
The portions of the water meter tool shown in broken lines form no part of the claimed design.

(56) **References Cited**

**U.S. PATENT DOCUMENTS**

1,247,707 A \* 11/1917 Morich ..... B25F 1/04  
7/168  
D248,536 S \* 7/1978 Domasin ..... D8/21  
D329,969 S \* 10/1992 Kemp ..... D8/21  
D364,542 S \* 11/1995 Pollard ..... D8/21  
D374,383 S \* 10/1996 Malak ..... D8/21  
D399,716 S \* 10/1998 Carr ..... D8/31  
6,347,563 B1 \* 2/2002 Witt ..... B25B 13/06  
81/124.2

**1 Claim, 5 Drawing Sheets**



(56)

**References Cited**

U.S. PATENT DOCUMENTS

D547,625 S \* 7/2007 Decuir ..... D8/27  
7,322,563 B2 \* 1/2008 Stehling ..... E03B 9/08  
137/382.5  
7,448,303 B2 \* 11/2008 Sweat ..... B25B 13/5083  
81/3.05  
D634,595 S \* 3/2011 Tyson ..... D8/14  
D661,561 S \* 6/2012 Stinson ..... D8/29  
D706,103 S \* 6/2014 Jonsson ..... D8/51  
D715,611 S \* 10/2014 Stamm ..... D8/24  
D743,222 S \* 11/2015 Smith ..... D8/14  
D745,967 S \* 12/2015 Anderson ..... D24/152  
D773,909 S \* 12/2016 Paddock ..... D8/21  
D880,262 S \* 4/2020 Sims, Sr. .... D8/14  
D909,836 S \* 2/2021 Rhoton ..... D8/14  
2003/0079574 A1 \* 5/2003 Llamas ..... B25B 13/50  
81/176.15  
2005/0247169 A1 \* 11/2005 Faries, Jr. .... B25B 13/485  
81/176.15  
2006/0260443 A1 \* 11/2006 Faries, Jr. .... B25B 13/485  
81/176.2

OTHER PUBLICATIONS

4-in-1 Water Meter Key Combo Tool, available at: <https://www.homedepot.com/p/VPC-4-in-1-Water-Meter-Key-Combo-Tool-17-1003/302465240> (accessed on Jun. 10, 2020).

\* cited by examiner

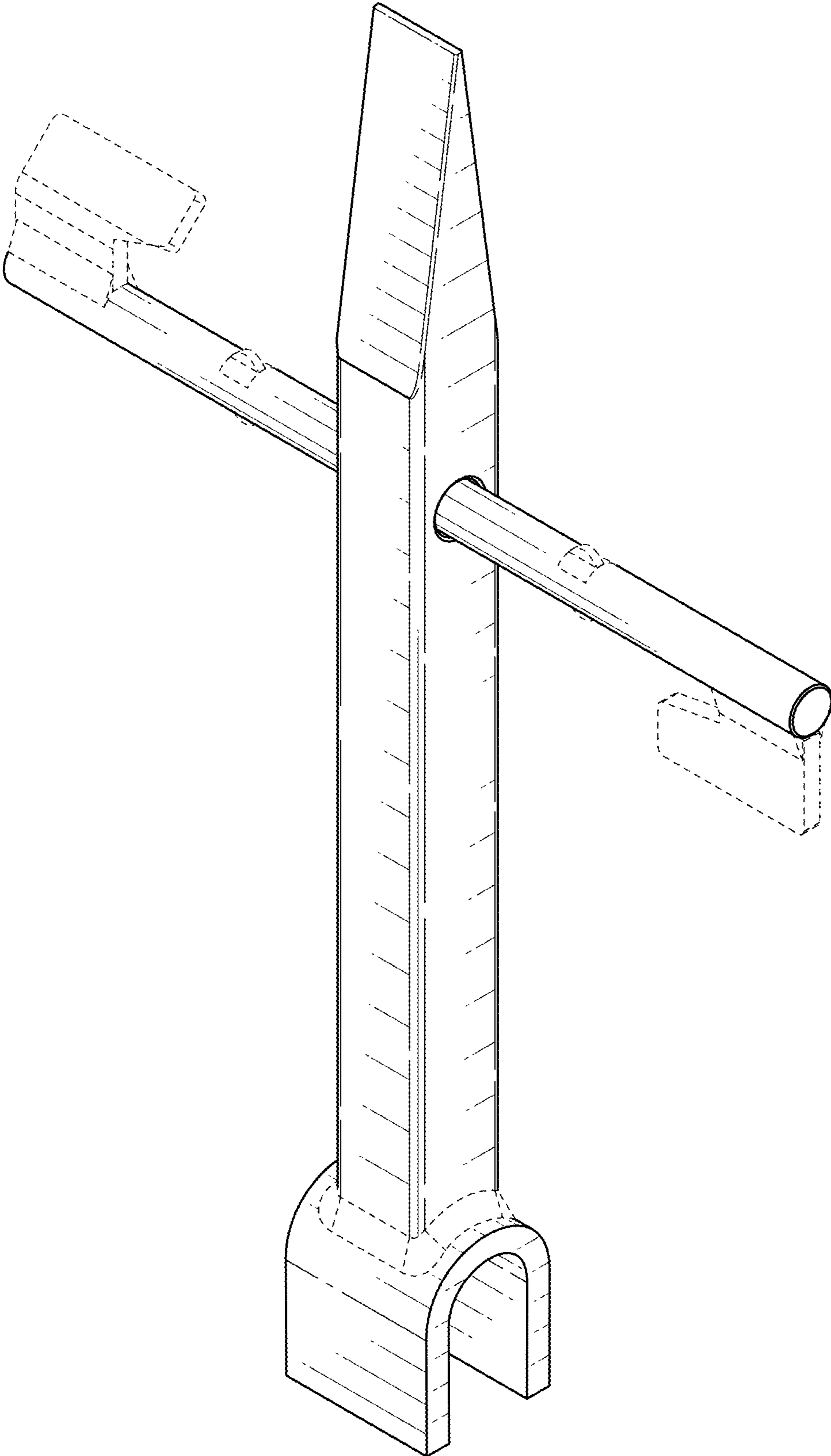


FIG. 1

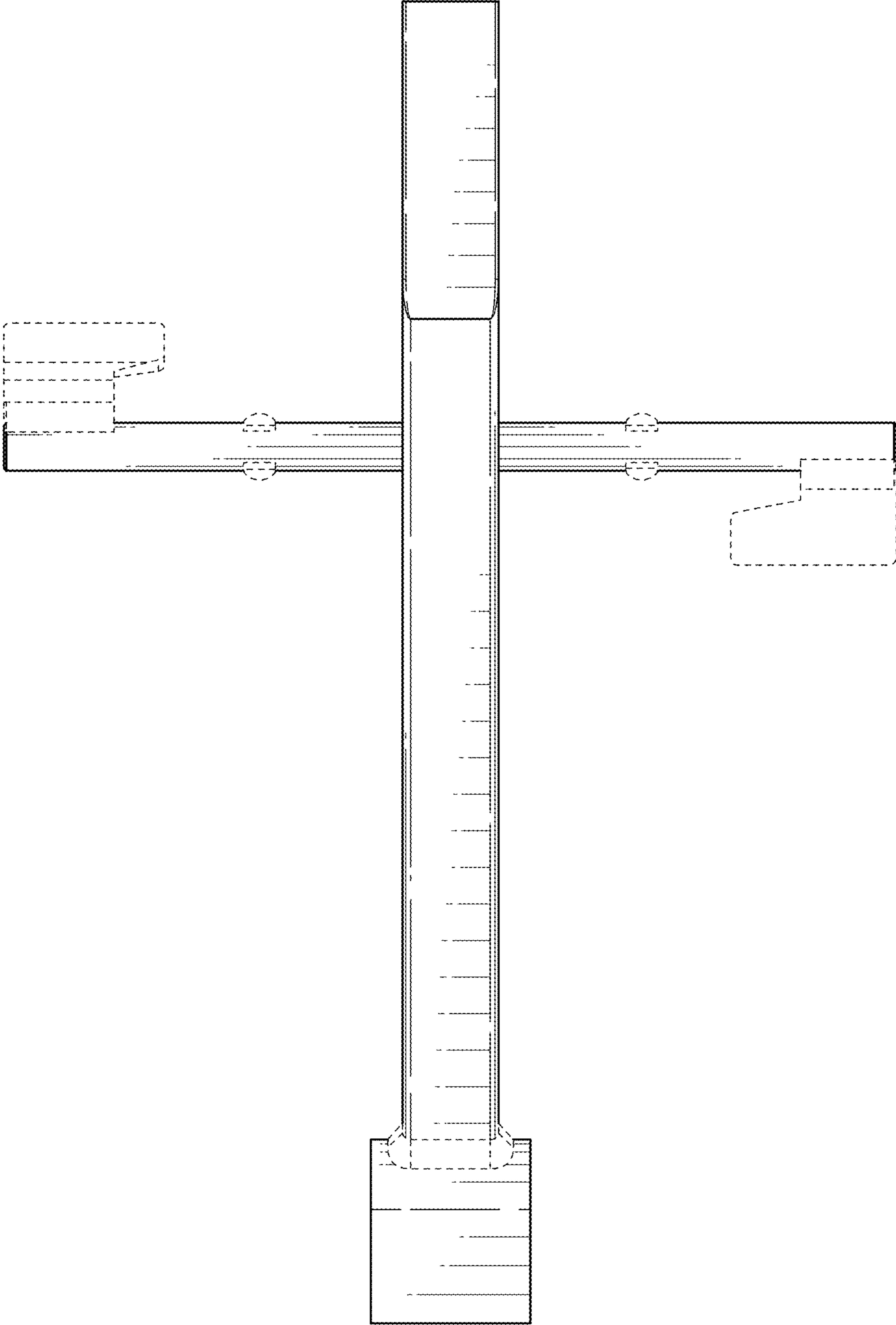


FIG. 2

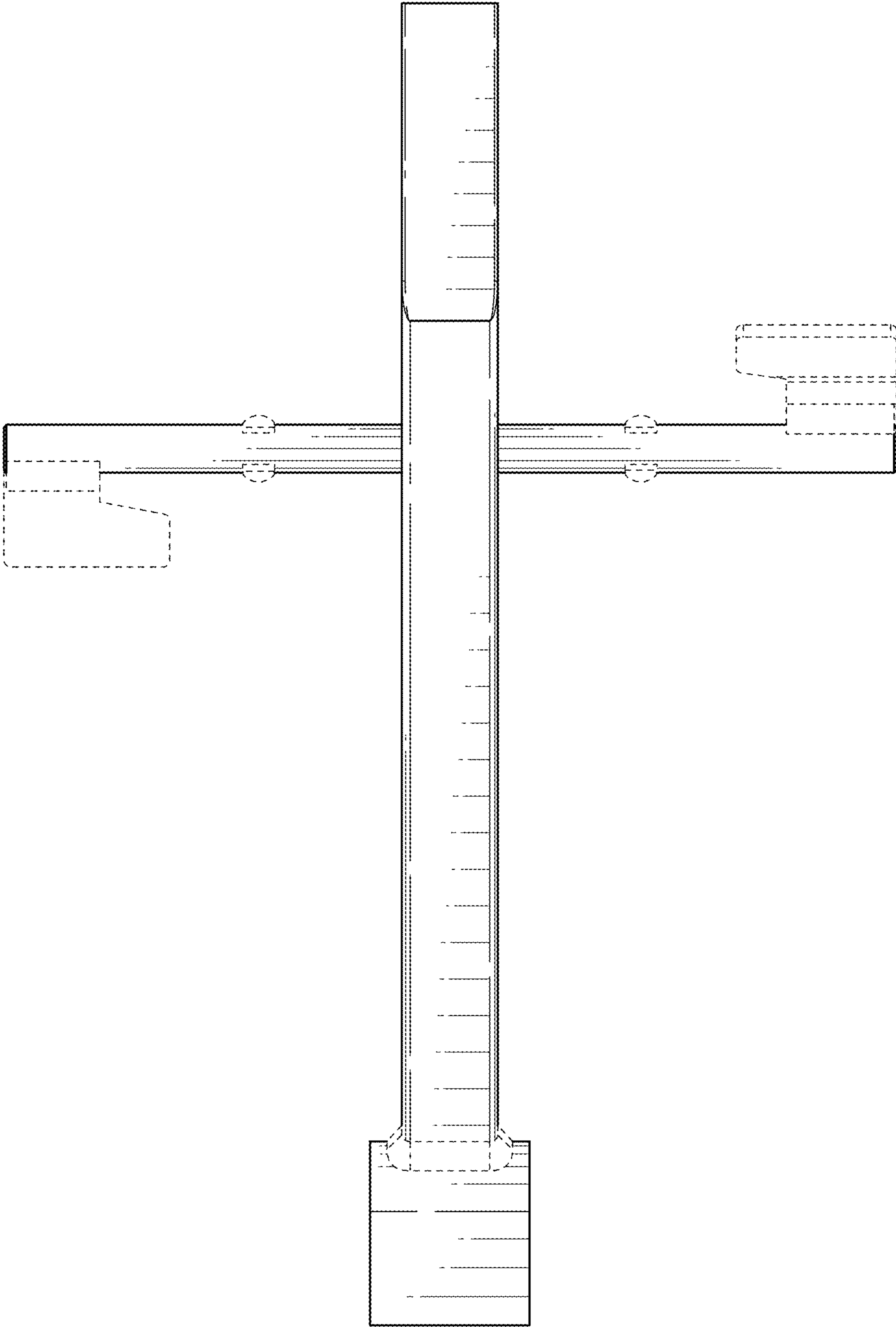


FIG. 3

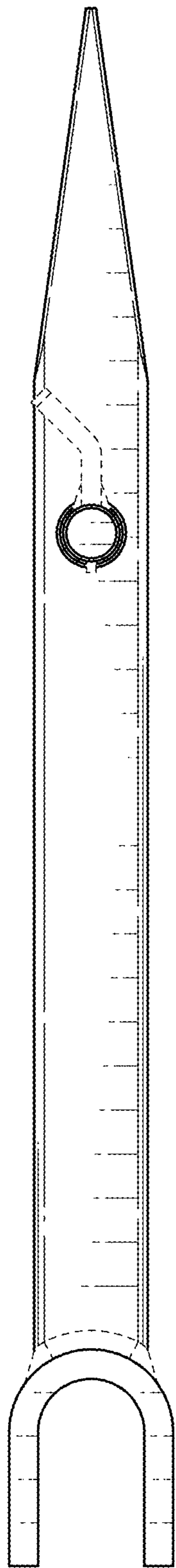


FIG. 4

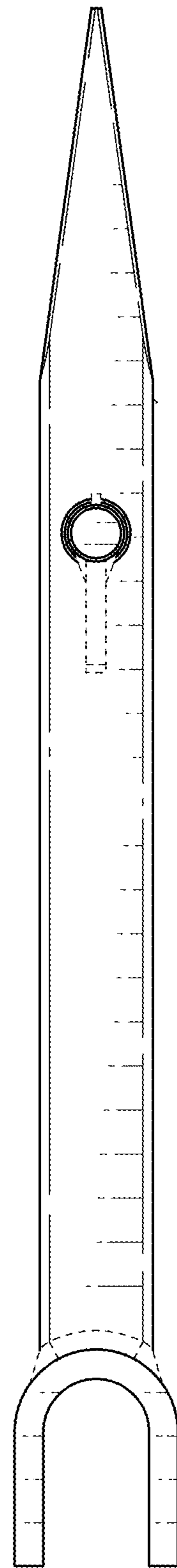


FIG. 5

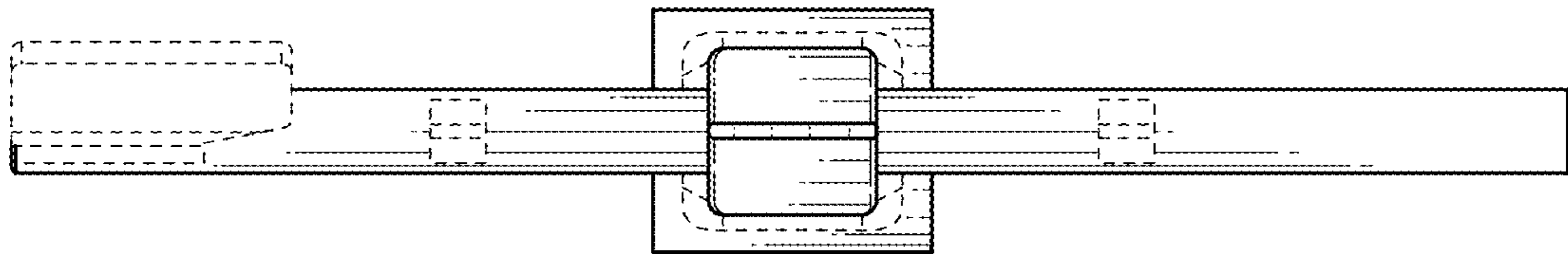


FIG. 6

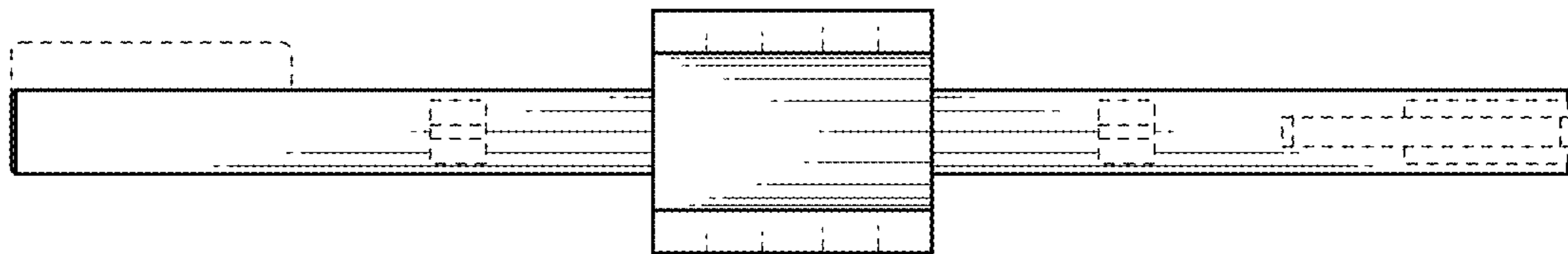


FIG. 7