

US00D965420S

(12) **United States Design Patent** (10) **Patent No.:** **US D965,420 S**  
**Li** (45) **Date of Patent:** **\*\* Oct. 4, 2022**

(54) **EXPANSION SCREW**  
(71) Applicant: **YUCHI CO., LTD.**, New Taipei (TW)  
(72) Inventor: **Chi Li**, New Taipei (TW)  
(73) Assignee: **YUCHI CO., LTD.**, New Taipei (TW)  
(\*\*) Term: **15 Years**  
(21) Appl. No.: **29/761,587**

4,730,966 A \* 3/1988 Schiefer ..... F16B 13/065  
405/259.3  
5,374,146 A \* 12/1994 Allen ..... B21K 1/44  
411/386  
5,419,667 A \* 5/1995 Avgoustis ..... F16B 35/044  
411/386  
5,499,895 A \* 3/1996 Allen ..... F16B 35/047  
411/386  
D415,016 S \* 10/1999 Murguia ..... D8/387  
D615,392 S \* 5/2010 Gaudron ..... D8/387  
D615,855 S \* 5/2010 Gaudron ..... D8/387  
8,202,031 B2 \* 6/2012 Hartmann ..... F16B 41/002  
411/383

(22) Filed: **Dec. 10, 2020**  
(51) **LOC (13) Cl.** ..... **08-08**  
(52) **U.S. Cl.**

(Continued)

USPC ..... **D8/382**  
(58) **Field of Classification Search**  
USPC ..... D8/384, 385, 388, 386, 387  
CPC ..... F16B 23/0007; F16B 23/0015; F16B  
23/0023; F16B 23/003; F16B 23/0038;  
F16B 23/0046; F16B 23/0053; F16B  
23/0061; F16B 23/0069; F16B 23/0076;  
F16B 19/00; F16B 19/02; F16B 25/001;  
F16B 25/0015; F16B 25/0021; F16B  
25/0026; F16B 25/0031; F16B 25/0036;  
F16B 25/0042; F16B 33/00; F16B  
33/006; F16B 33/008; F16B 33/02; F16B  
35/002; F16B 35/005; F16B 35/007;  
F16B 35/02; F16B 35/04; F16B 35/041;  
F16B 35/042; F16B 35/044; F16B  
35/045; F16B 35/047; F16B 35/048;  
F16B 35/06

FOREIGN PATENT DOCUMENTS

CN 300845714 \* 11/2008  
CN 304018059 \* 1/2017

(Continued)

*Primary Examiner* — Sheryl Lane  
*Assistant Examiner* — Ieisha N Price  
(74) *Attorney, Agent, or Firm* — Rosenberg, Klein & Lee

See application file for complete search history.

(56) **References Cited**

U.S. PATENT DOCUMENTS

2,273,102 A \* 2/1942 Harris ..... F16B 39/284  
411/395  
D213,589 S \* 3/1969 Bixby ..... D8/385  
3,741,067 A \* 6/1973 Moran ..... F16B 37/043  
411/39

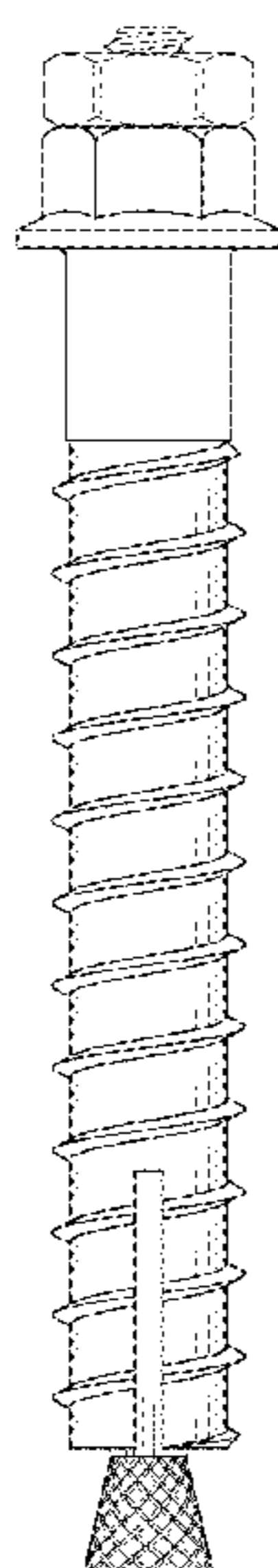
(57) **CLAIM**

The ornamental design for an expansion screw, as shown and described.

**DESCRIPTION**

FIG. 1 is a top perspective view of the expansion screw, showing our new design;  
FIG. 2 is a bottom perspective view thereof.  
FIG. 3 is a front elevational thereof;  
FIG. 4 is a rear elevational view thereof;  
FIG. 5 is a left side elevational view thereof;  
FIG. 6 is a right side elevational view thereof;  
FIG. 7 is a top plan view thereof; and,  
FIG. 8 is a bottom plan view thereof.  
The broken lines in the drawings illustrate portions of the expansion screw and form no part of the claimed design.

**1 Claim, 7 Drawing Sheets**



(56)

**References Cited**

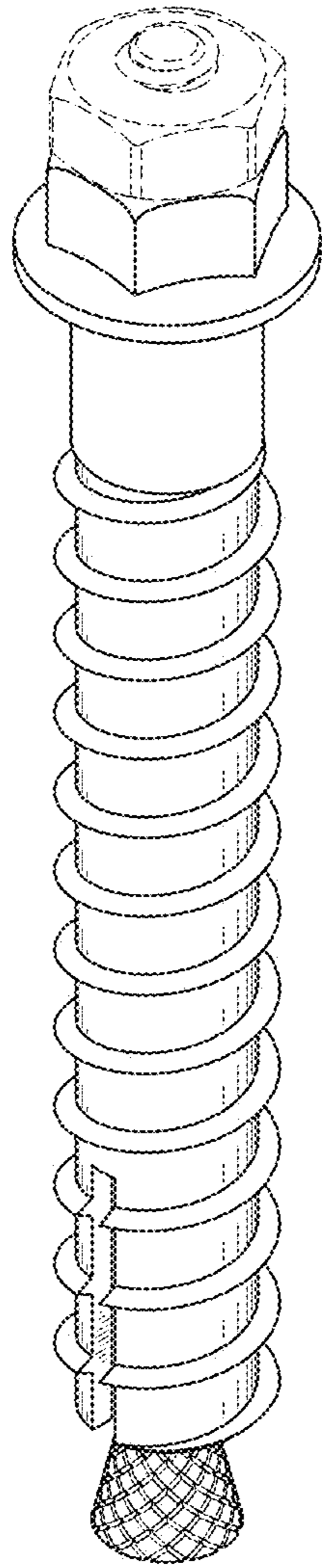
U.S. PATENT DOCUMENTS

8,678,730	B2 *	3/2014	Gaudron	.....	F16B 13/065
					411/72
D926,025	S *	7/2021	Li	.....	D8/387
D926,561	S *	8/2021	Li	.....	D8/387
D933,465	S *	10/2021	Li	.....	D8/387
2009/0092462	A1 *	4/2009	Pratt	.....	F16B 13/063
					411/383
2010/0111639	A1 *	5/2010	Gaudron	.....	F16B 13/065
					411/354
2010/0135743	A1 *	6/2010	Gaudron	.....	F16B 13/141
					411/55
2017/0288319	A1 *	10/2017	Vanzetto	.....	B25B 15/001
2018/0258975	A1 *	9/2018	Polidori	.....	F16B 37/14
2018/0306231	A1 *	10/2018	Bier	.....	F16B 31/021
2018/0335067	A1 *	11/2018	Owen	.....	F16B 35/045

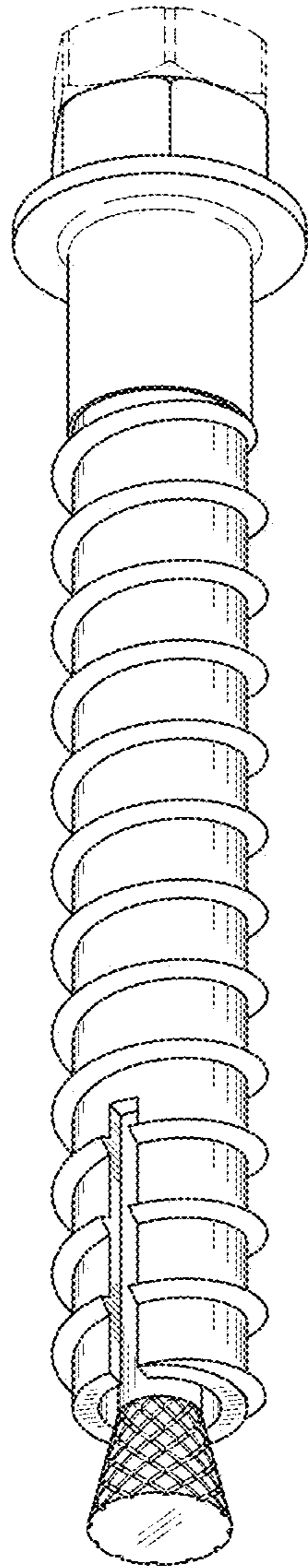
FOREIGN PATENT DOCUMENTS

CN	305490243	*	12/2019
CN	305528815	*	1/2020
CN	305558307	*	1/2020
CN	306228631	*	12/2020
CN	306635935	*	6/2021
CN	307177867	*	3/2022
HK	0501851-0001	*	9/2005
HK	0900626-0001	*	6/2009
JP	D1505739	*	8/2014
SC	200513891-0001	*	10/2005

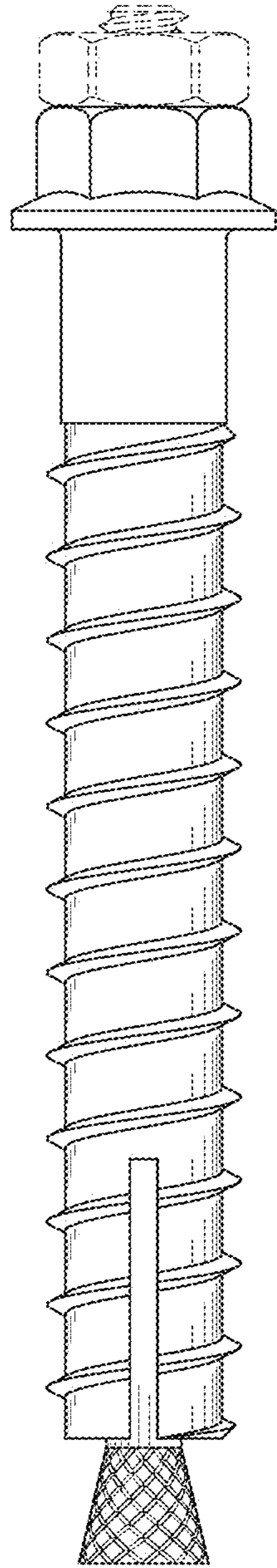
\* cited by examiner



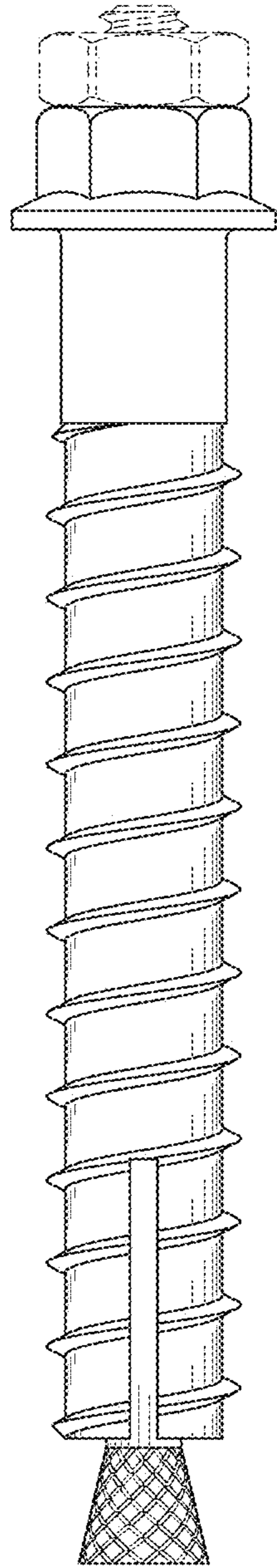
**FIG. 1**



**FIG.2**

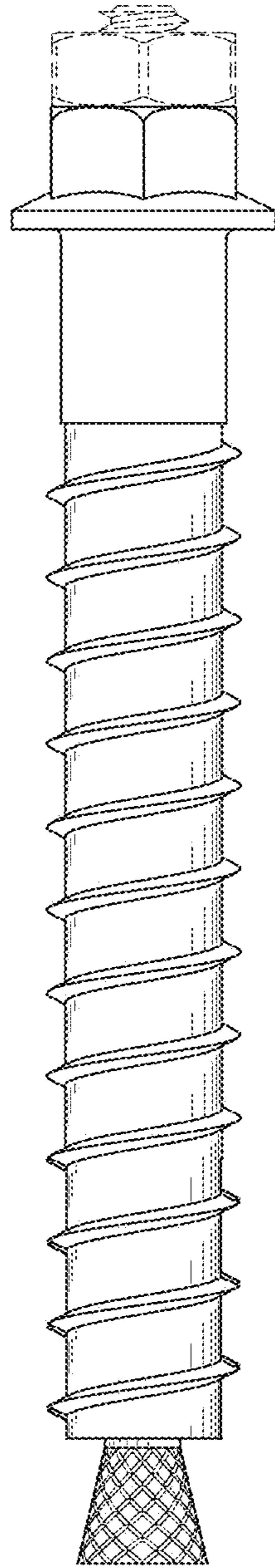


**FIG. 3**

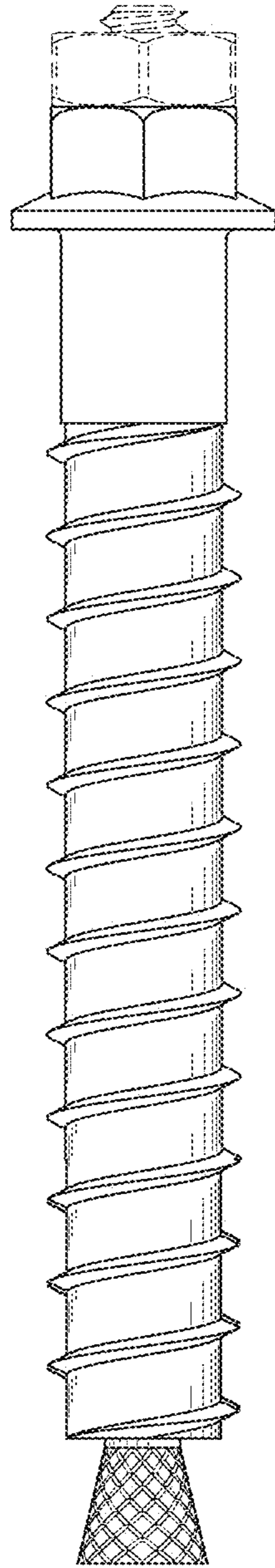


*FIG. 4*



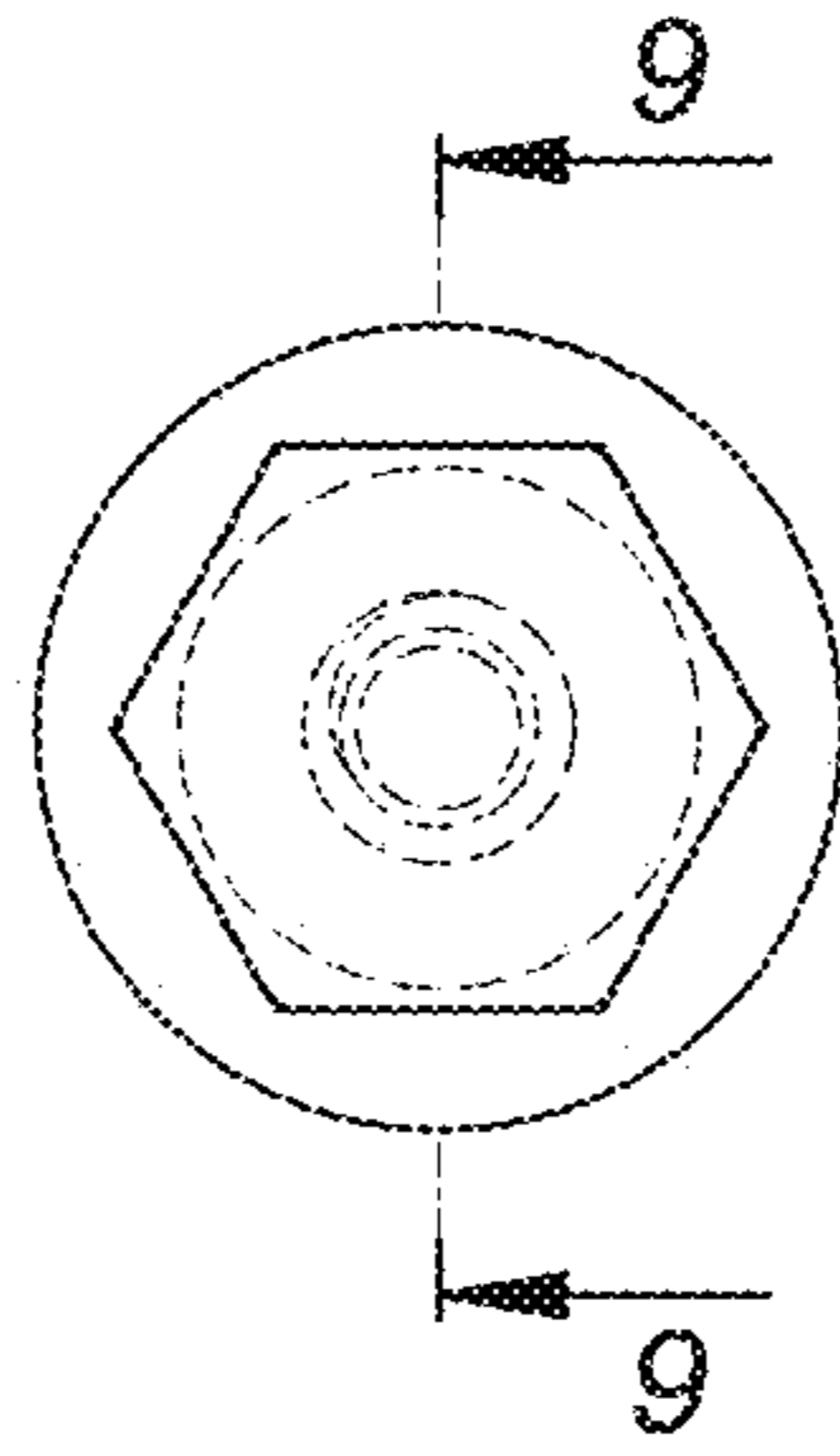


**FIG. 5**

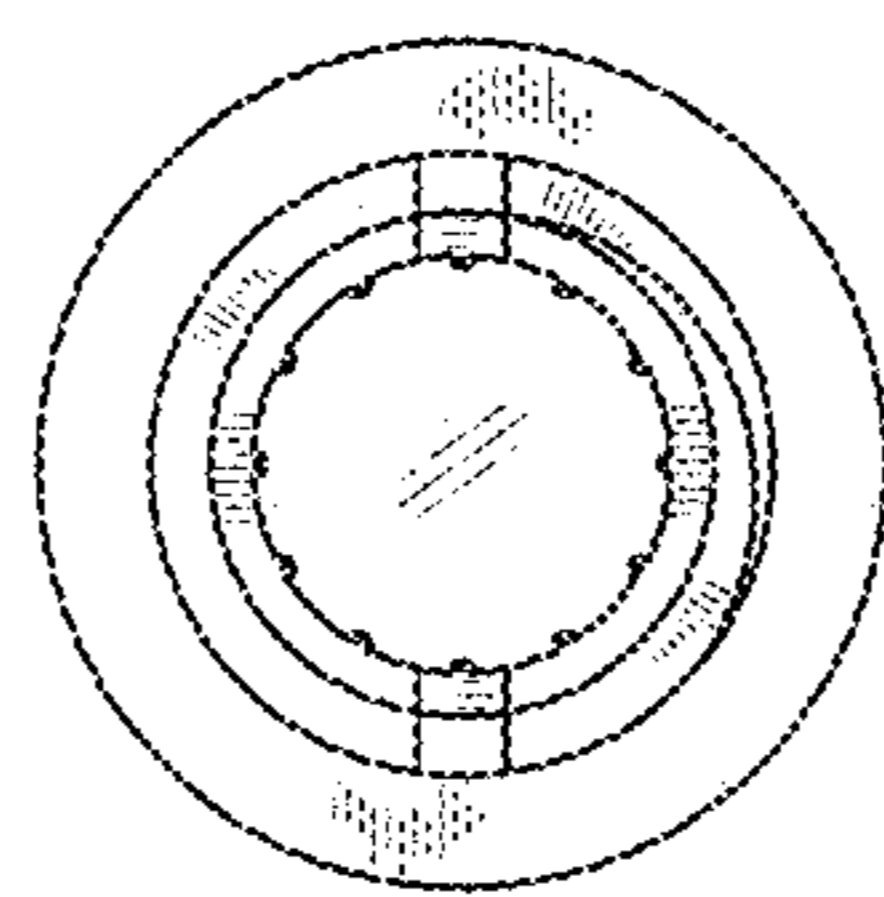


**FIG. 6**





**FIG. 7**



**FIG. 8**