



US00D965419S

(12) **United States Design Patent** (10) **Patent No.:** **US D965,419 S**  
**Burr** (45) **Date of Patent:** **\*\* Oct. 4, 2022**

- (54) **CURTAIN ROD SUPPORT ASSEMBLY**
- (71) Applicant: **BURR DISTRIBUTION, LLC**, North Attleboro, MA (US)
- (72) Inventor: **Derrek Burr**, Attleboro, MA (US)
- (73) Assignee: **BURR DISTRIBUTION, LLC**, North Attleboro, MA (US)
- (\*\*) Term: **15 Years**
- (21) Appl. No.: **29/803,586**
- (22) Filed: **Aug. 13, 2021**

- D315,862 S \* 4/1991 Specker, Jr. .... D8/380
  - D329,372 S \* 9/1992 Wilms ..... D8/380
  - 5,582,303 A \* 12/1996 Sloan ..... A47G 25/0692  
211/105.1
  - D389,035 S \* 1/1998 Smiley ..... D8/369
  - 6,053,465 A 4/2000 Kluge
  - 6,152,418 A 11/2000 Panicci
  - D459,978 S \* 7/2002 Hollinger ..... D6/556
  - 7,448,507 B1 11/2008 Abernathy, Jr.
  - D605,931 S \* 12/2009 Piersant ..... D8/381
- (Continued)

**Related U.S. Application Data**

- (63) Continuation of application No. 16/582,172, filed on Sep. 25, 2019.
- (51) **LOC (13) Cl.** ..... **08-05**
- (52) **U.S. Cl.**  
USPC ..... **D8/380**
- (58) **Field of Classification Search**  
USPC ..... 248/201, 261, 262, 263, 264; D8/349,  
D8/354, 363, 366, 371, 373, 380, 381,  
D8/382, 394, 395; D6/546-550, 575-581  
CPC ..... A47H 1/10; A47H 1/102; A47H 1/104  
See application file for complete search history.

**References Cited**

**U.S. PATENT DOCUMENTS**

- 1,147,355 A \* 7/1915 Zevin ..... A47H 1/13  
248/257
- 1,243,139 A 10/1917 Coe
- 2,908,471 A 10/1959 McFerrell
- 3,199,823 A \* 8/1965 Stall ..... A47H 1/122  
248/265
- 3,614,045 A \* 10/1971 Cegielski, Jr. .... A47H 1/12  
248/262
- D265,285 S \* 7/1982 Englert, Jr. .... D8/354
- D290,224 S \* 6/1987 Skinner ..... 248/48.2
- D290,931 S \* 7/1987 Powell ..... D8/371

**FOREIGN PATENT DOCUMENTS**

GB 2418835 4/2006

**OTHER PUBLICATIONS**

Morris, Taylor L., Final Office Action for co-pending parent U.S. Appl. No. 16/582,172, dated Jun. 29, 2022, 20 pgs, United States Patent and Trademark Office, Alexandria, VA, USA.

*Primary Examiner* — Keli L Hill  
*Assistant Examiner* — Harold E Blackwell, II  
(74) *Attorney, Agent, or Firm* — John Brooks Law LLC;  
John J. Brooks, III

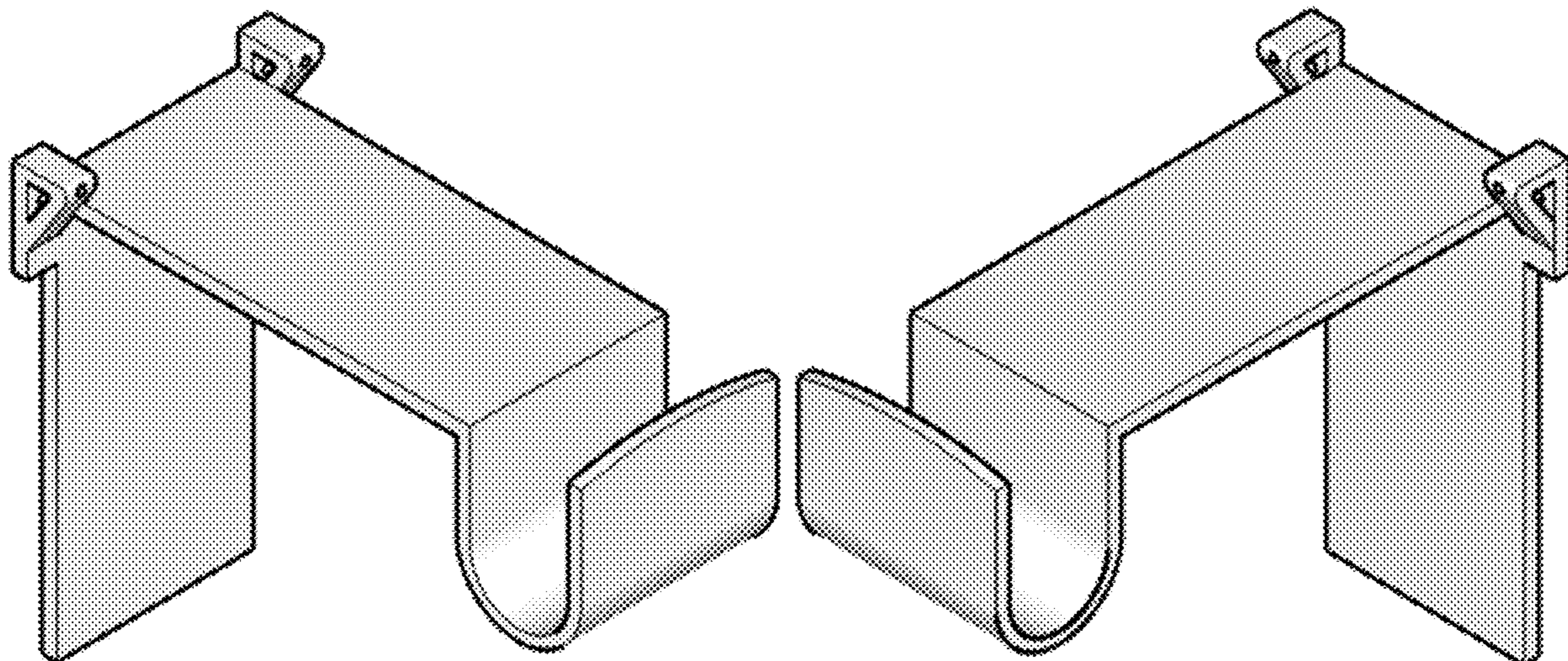
(57) **CLAIM**

I claim the ornamental design for a for a curtain rod support assembly, as shown.

**DESCRIPTION**

FIG. 1 shows a top perspective view of a curtain rod support assembly showing my new design;  
FIG. 2 shows another top perspective view thereof;  
FIG. 3 is a rear elevational view thereof;  
FIG. 4 is a front elevational view thereof;  
FIG. 5 is a top plan view thereof;  
FIG. 6 is a bottom plan view thereof;  
FIG. 7 is a left side elevational view thereof; and,  
FIG. 8 is a right side elevational view thereof.

**1 Claim, 2 Drawing Sheets**



(56)

**References Cited**

U.S. PATENT DOCUMENTS

8,297,576 B2 10/2012 McLeod  
D678,754 S \* 3/2013 Burr ..... D6/575  
8,418,975 B1 \* 4/2013 Burr ..... A47H 1/142  
248/261  
D707,535 S \* 6/2014 Burr ..... D8/363  
8,820,696 B1 9/2014 Wadia  
9,609,974 B2 \* 4/2017 Mateer ..... A47H 1/122  
D811,205 S \* 2/2018 Hanley ..... D8/380  
D813,021 S \* 3/2018 Hanley ..... F16B 2/065  
D8/380  
D813,022 S \* 3/2018 Hanley ..... A47H 1/142  
D8/380  
10,376,086 B1 \* 8/2019 Mustafa ..... A47H 1/122  
10,542,835 B1 \* 1/2020 Suozzo ..... A47H 1/142  
2010/0224749 A1 \* 9/2010 Tran ..... A47H 1/142  
248/262  
2012/0217362 A1 8/2012 Affonso  
2014/0346310 A1 11/2014 Yang  
2015/0108304 A1 4/2015 Larsen

\* cited by examiner

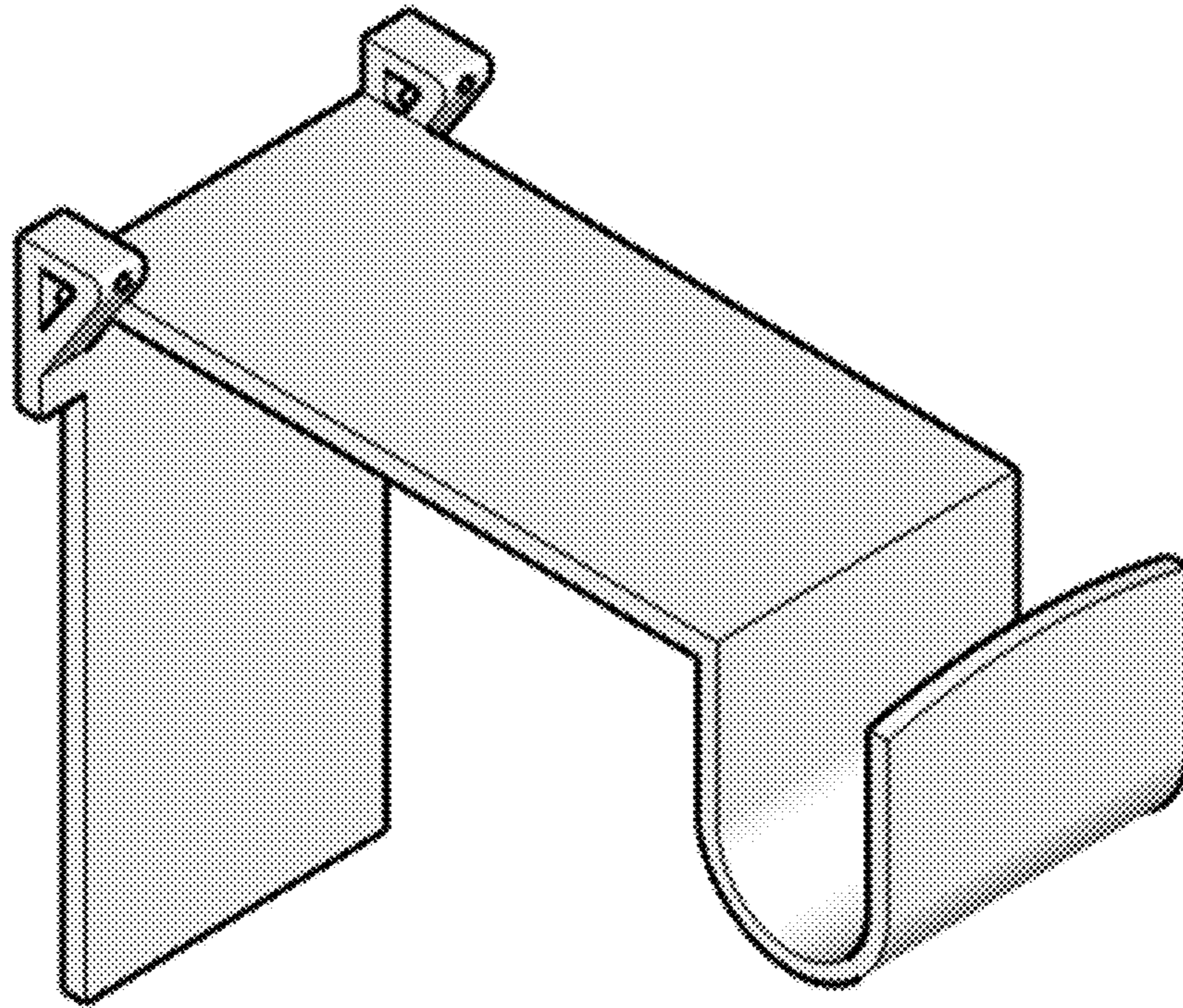


FIG. 1

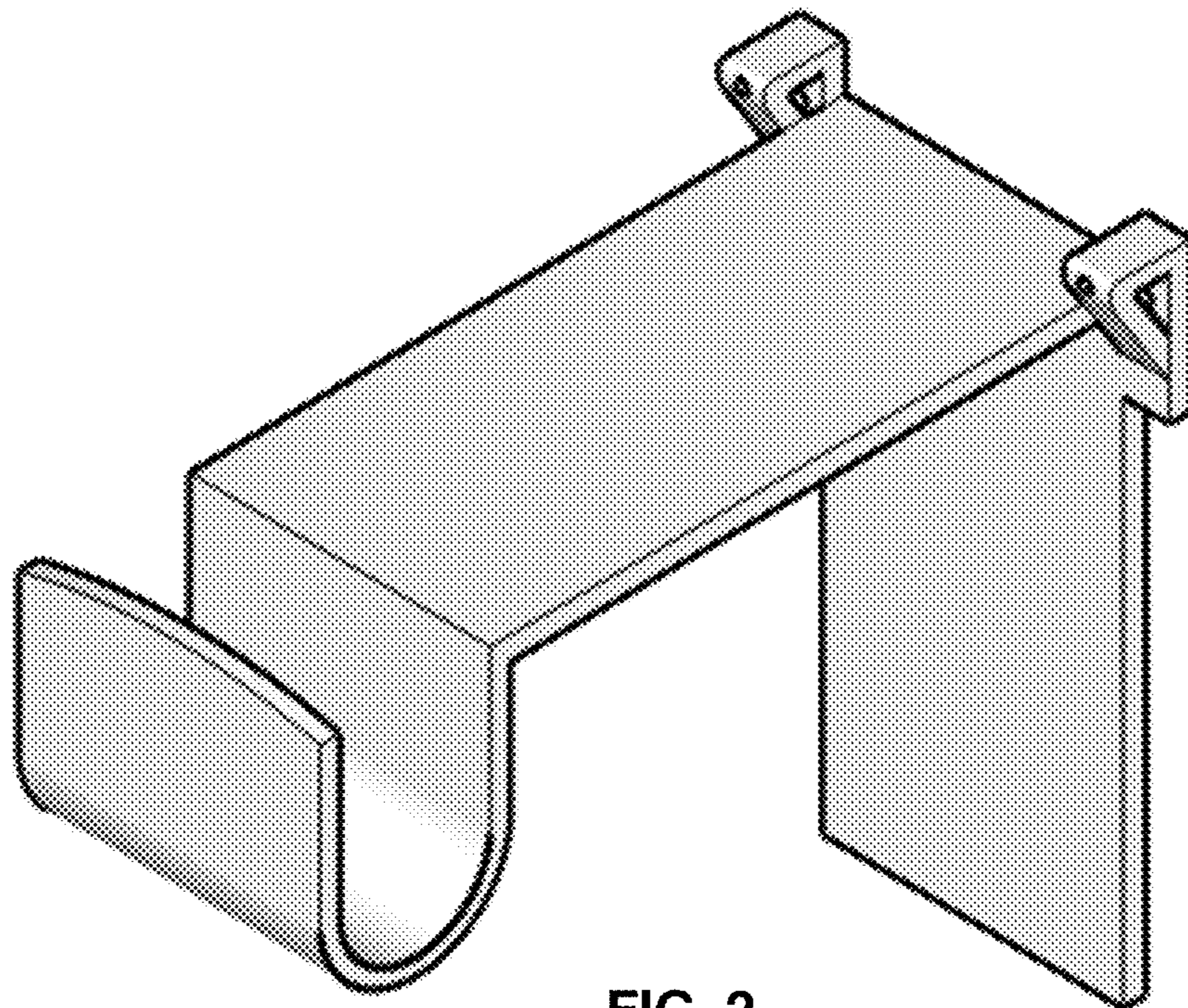


FIG. 2

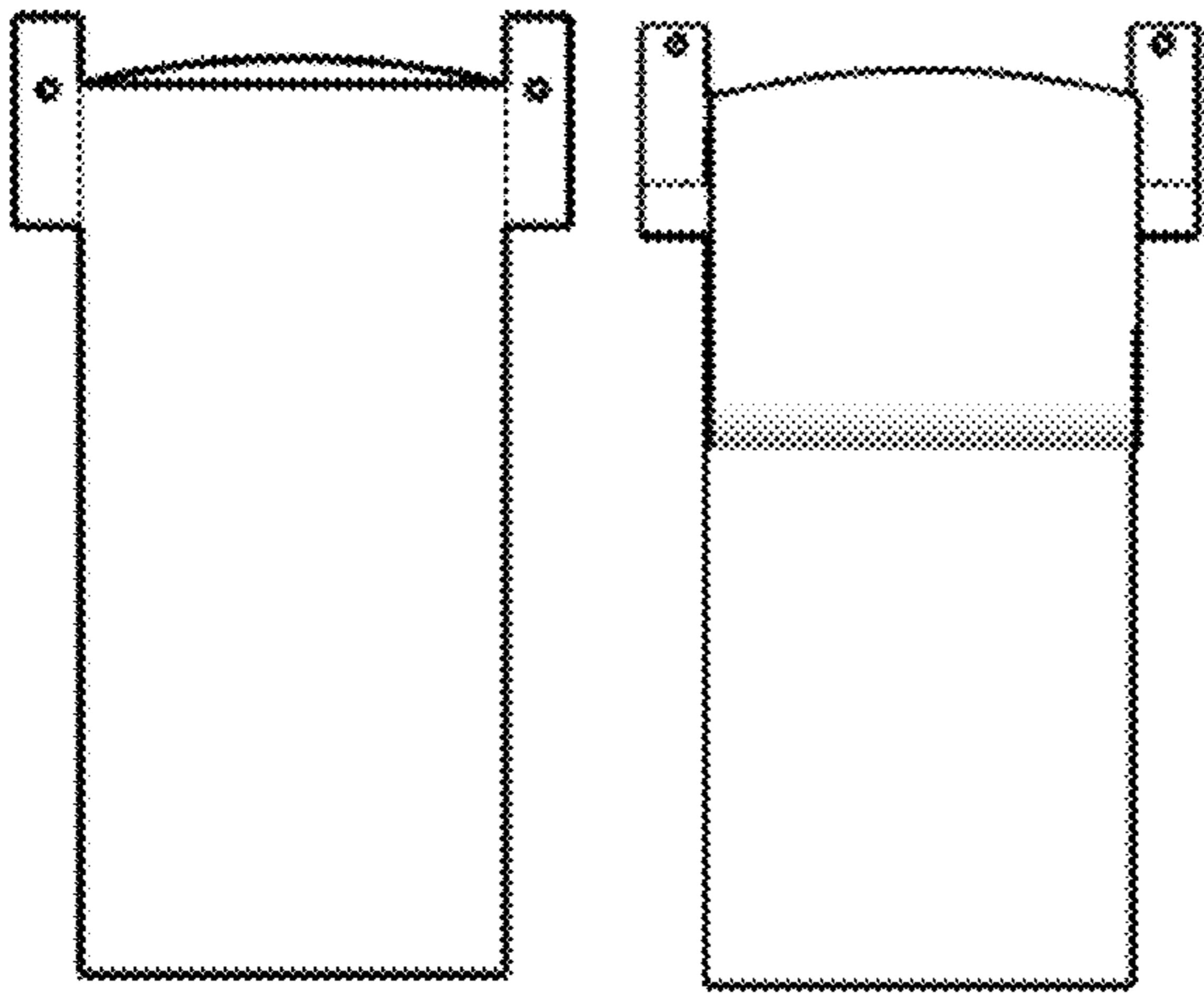


FIG. 3

FIG. 4

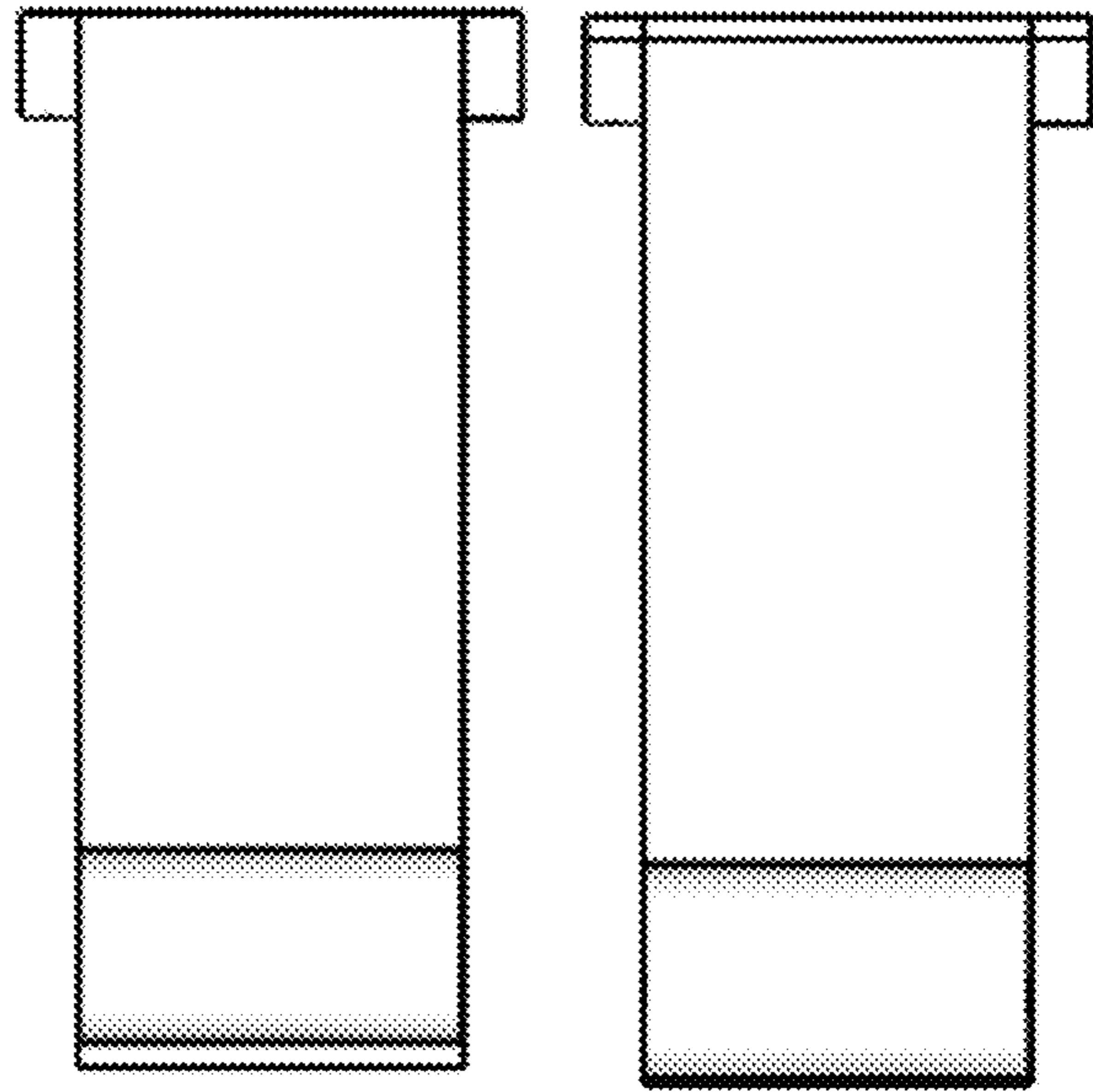


FIG. 5

FIG. 6

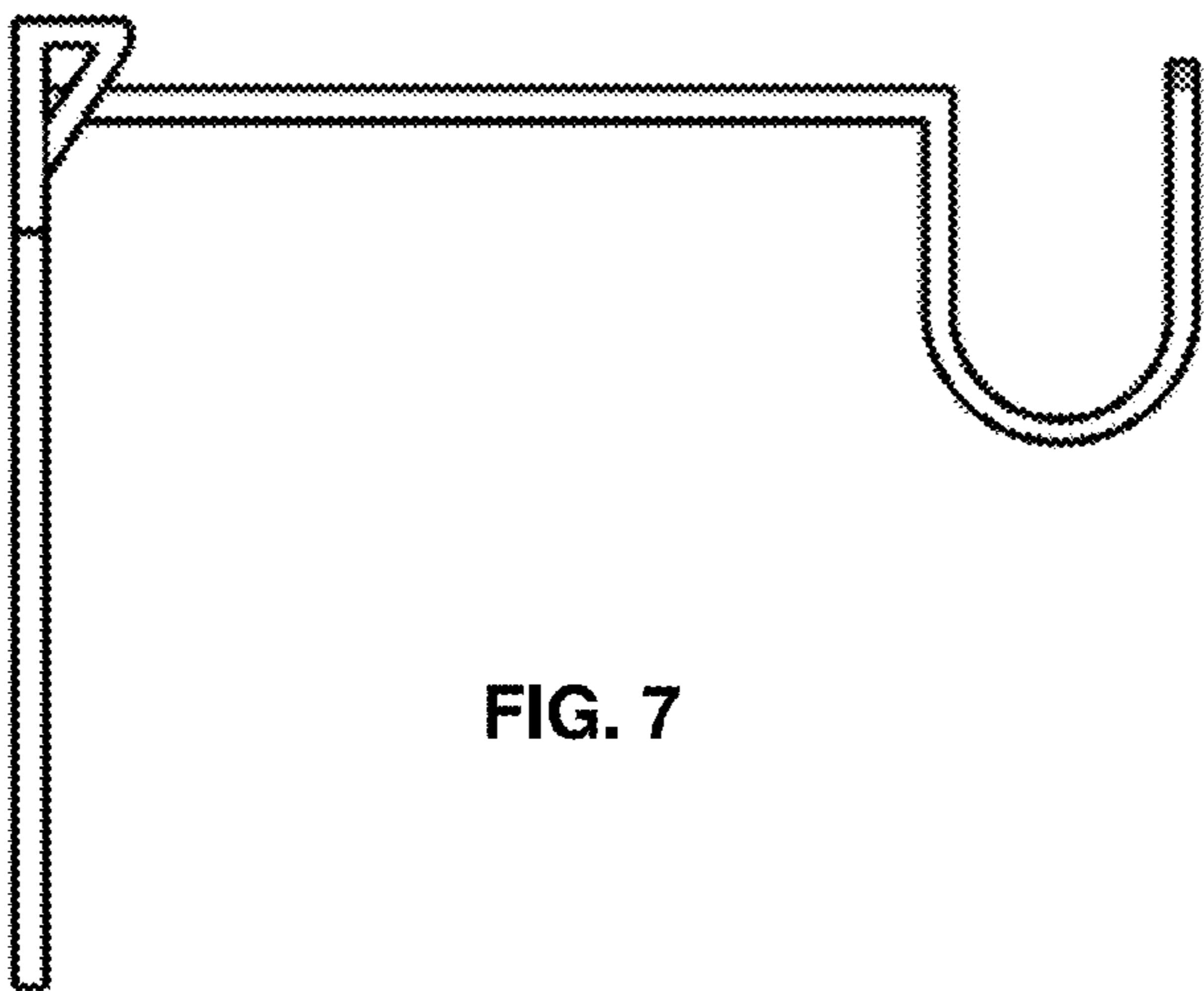


FIG. 7

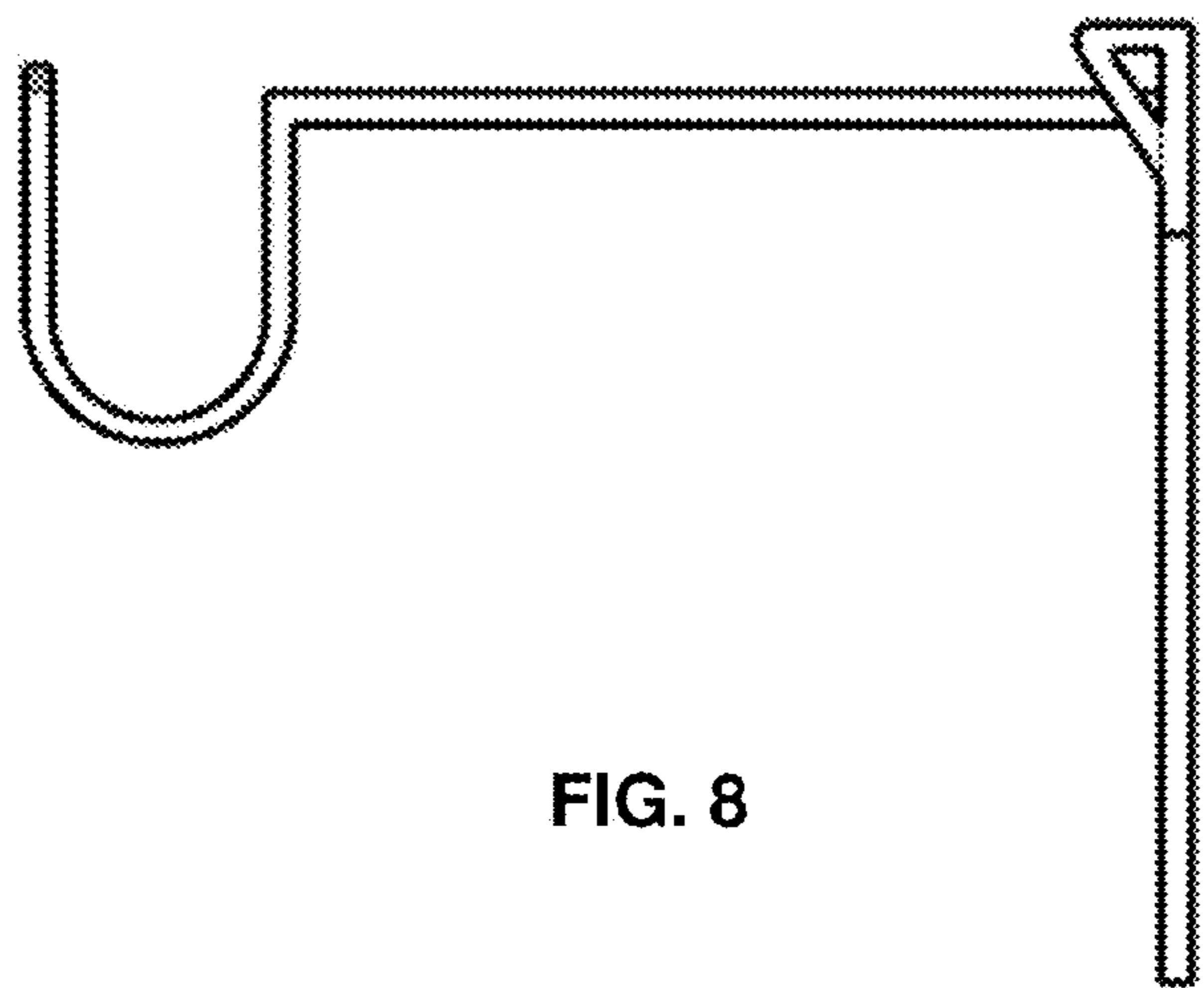


FIG. 8