



US00D965416S

(12) **United States Design Patent**  
**Powell**

(10) **Patent No.:** **US D965,416 S**

(45) **Date of Patent:** **\*\* Oct. 4, 2022**

(54) **HOSE HOLDER**

(71) Applicant: **Dennis Powell**, Belle Glade, FL (US)

(72) Inventor: **Dennis Powell**, Belle Glade, FL (US)

(\*\*) Term: **15 Years**

(21) Appl. No.: **29/726,224**

(22) Filed: **Mar. 2, 2020**

(51) **LOC (13) Cl.** ..... **09-06**

(52) **U.S. Cl.**  
USPC ..... **D8/356**

(58) **Field of Classification Search**

USPC ..... D8/367, 358, 382, 349, 356, 354;  
D6/678, 354, 349, 358, 373, 215;  
D12/420, 223; D11/212; D2/978  
CPC .... A44B 19/00; B65D 63/10; B65D 63/1027;  
B65D 63/1018; B65G 7/12; F16B 2/00;  
A62C 33/00; B65H 75/366; B25C 11/00;  
H05K 7/18; E04G 3/26; E04B 1/41;  
H02G 3/30; E05D 5/12; E05D 11/082;  
A45F 5/021

See application file for complete search history.

D565,394 S \* 4/2008 Eskew ..... D8/358  
D629,671 S \* 12/2010 Ohori ..... D8/356  
D631,730 S \* 2/2011 Skillman ..... H02G 11/02  
D8/356  
D758,170 S \* 6/2016 Weber ..... D8/354  
9,422,132 B1 8/2016 Pei et al.  
D802,506 S \* 11/2017 Bargaen ..... D12/193  
D821,850 S \* 7/2018 Tyrer ..... D8/354  
D886,201 S \* 6/2020 Kanter ..... D21/333  
D906,095 S \* 12/2020 DeDios-Shirley ..... D8/354  
D942,252 S \* 2/2022 Yu ..... D8/373  
2001/0032910 A1\* 10/2001 Brueske ..... B65H 75/366  
248/80  
2013/0056094 A1 3/2013 Phillips et al.  
2013/0087651 A1 4/2013 Hoysak et al.

\* cited by examiner

*Primary Examiner* — Marissa J Cash

*Assistant Examiner* — Kayla Marie Bennett

(74) *Attorney, Agent, or Firm* — Boudwin Intellectual Property; Daniel Boudwin

(57) **CLAIM**

The ornamental design for a hose holder, as shown and described.

(56) **References Cited**

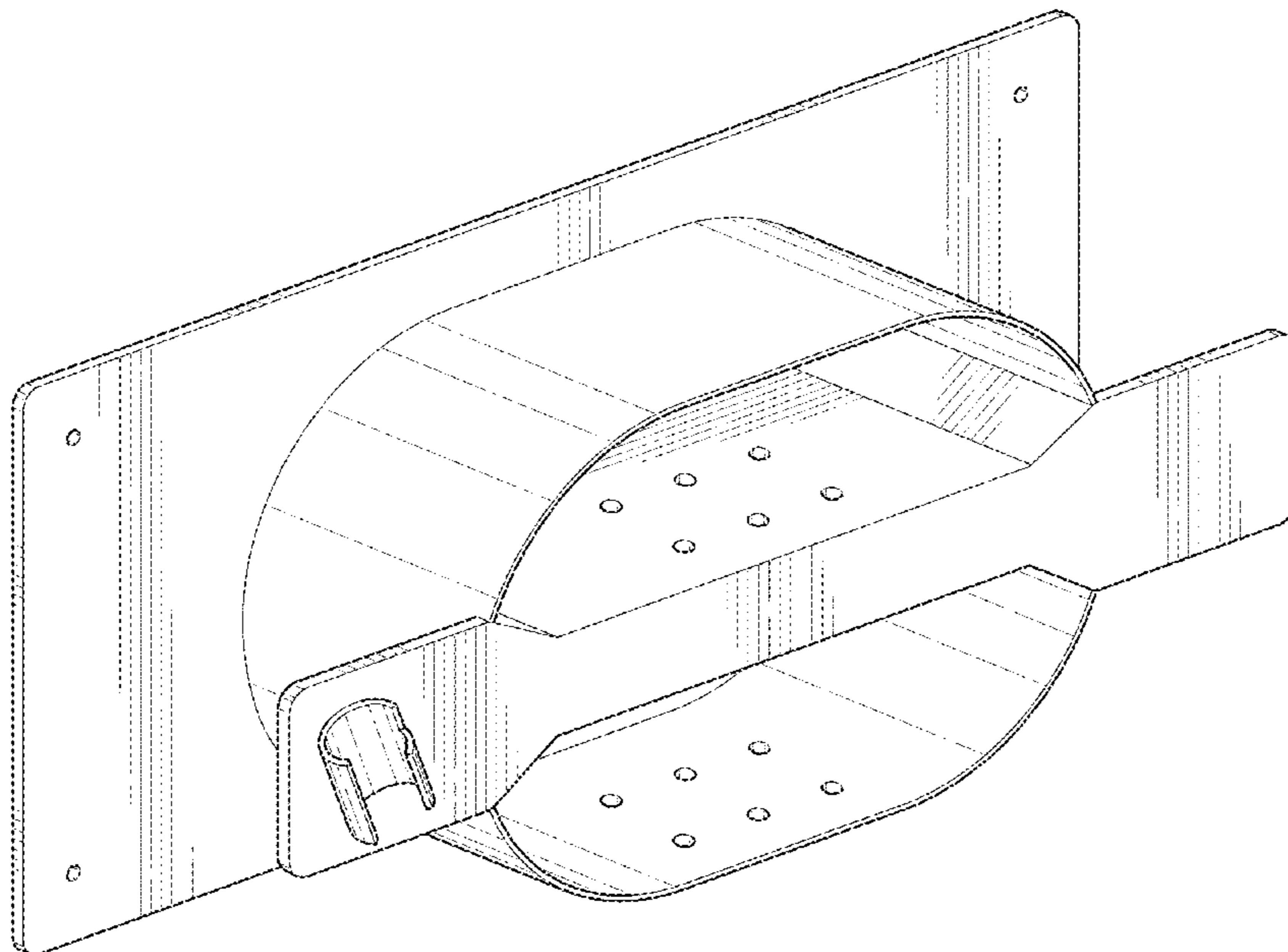
U.S. PATENT DOCUMENTS

4,330,005 A 5/1982 Kjarsgaard  
4,836,479 A 6/1989 Adams  
D356,488 S \* 3/1995 Gehiere ..... D8/354  
5,699,987 A \* 12/1997 Romaneschi ..... B65H 75/366  
248/89  
6,024,317 A \* 2/2000 Kovacik ..... B65H 75/4473  
242/405.1  
D455,066 S \* 4/2002 Kolinen ..... D14/240  
D462,601 S \* 9/2002 Chaney ..... D25/119  
D477,772 S \* 7/2003 Nezu ..... F16G 11/101  
D8/383  
6,823,999 B2 11/2004 Heneveld

**DESCRIPTION**

FIG. 1 shows a perspective view of a hose holder;  
FIG. 2 shows a front view of the hose holder;  
FIG. 3 shows a rear of the hose holder;  
FIG. 4 shows a right side view of the hose holder;  
FIG. 5 shows a left side view of the hose holder;  
FIG. 6 shows a top plan view of the hose holder; and,  
FIG. 7 shows a bottom plan view of the hose holder.  
The shade lines in the Figures show contour and not surface ornamentation.

**1 Claim, 4 Drawing Sheets**



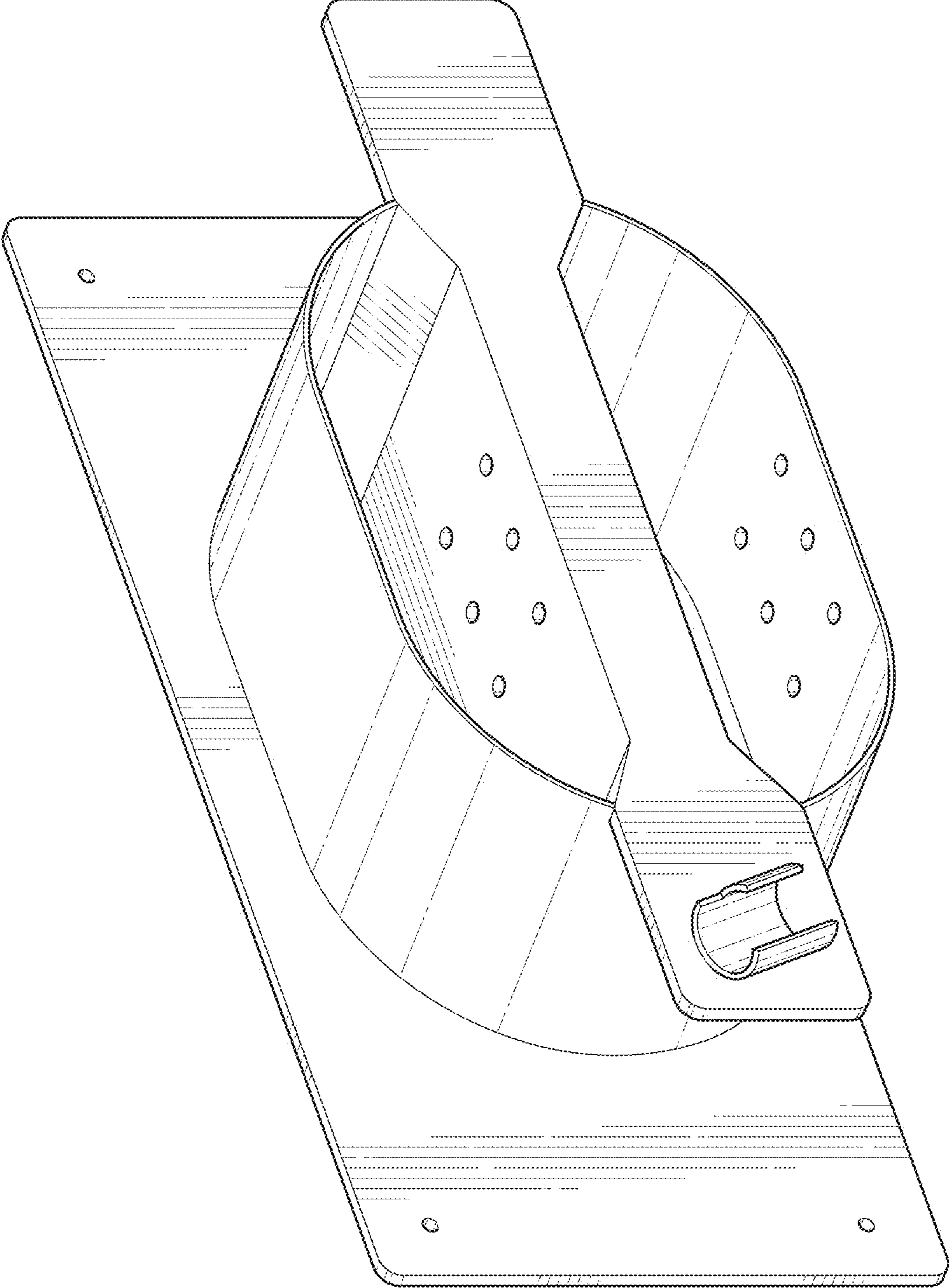
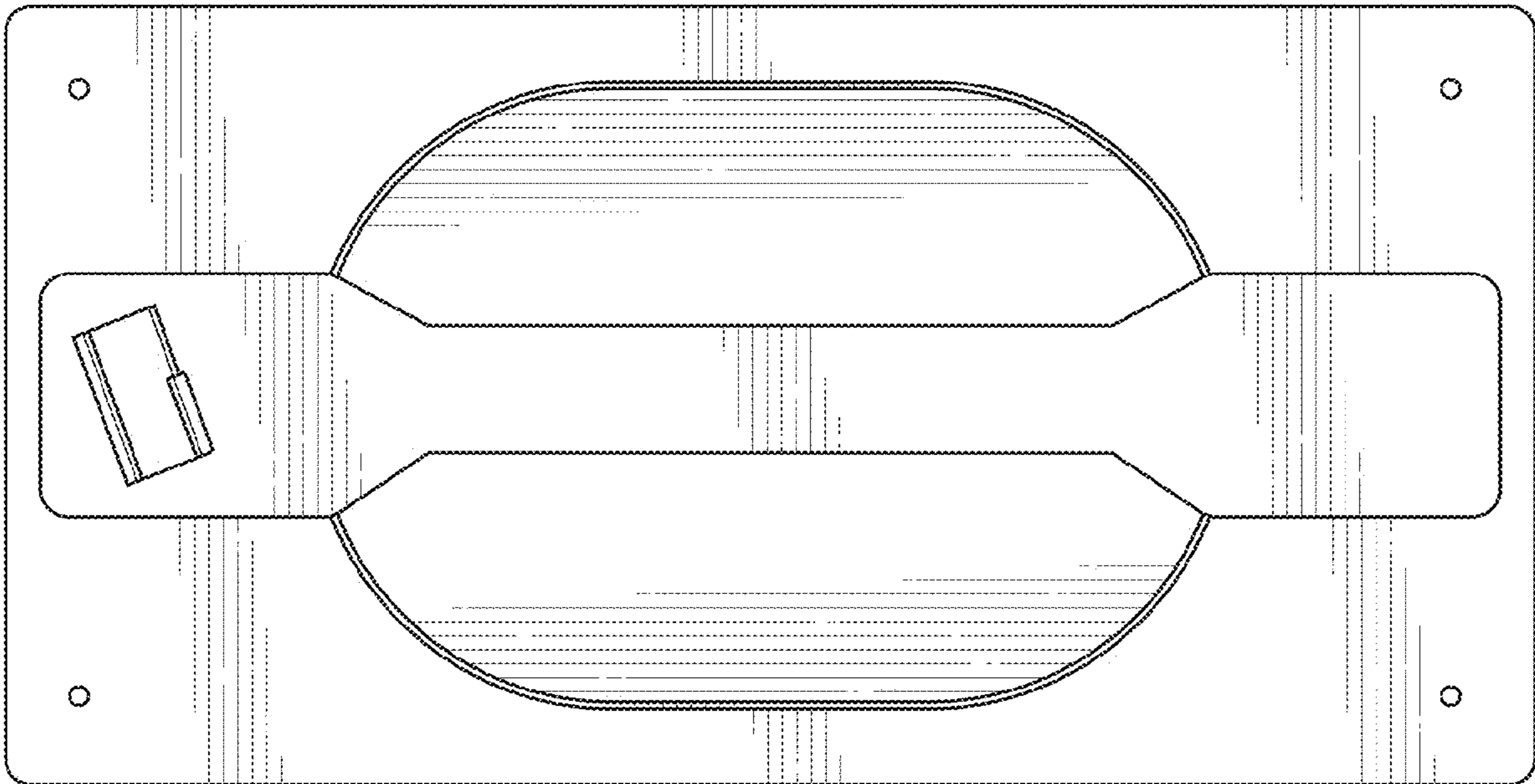
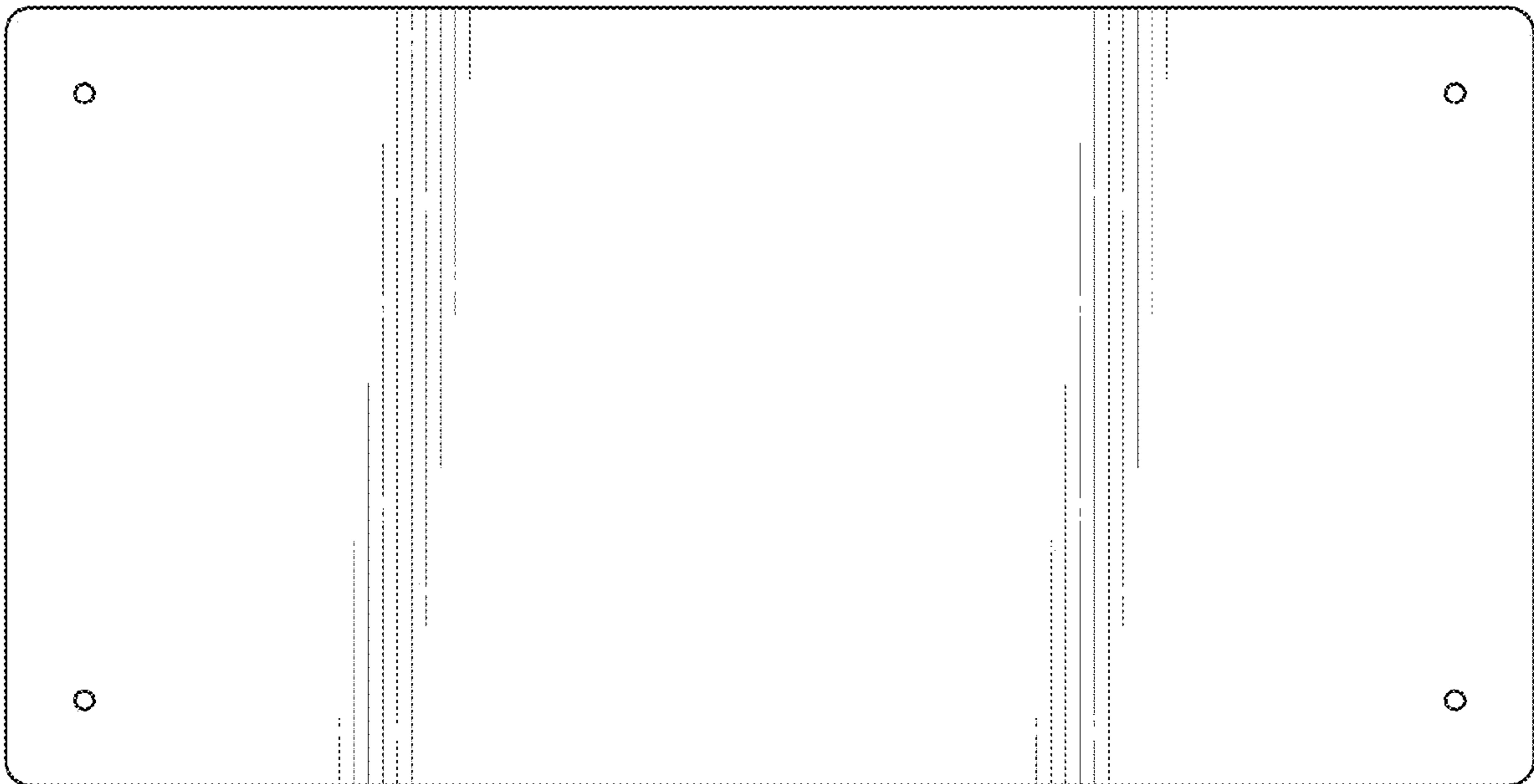


FIG. 1



**FIG. 2**



**FIG. 3**

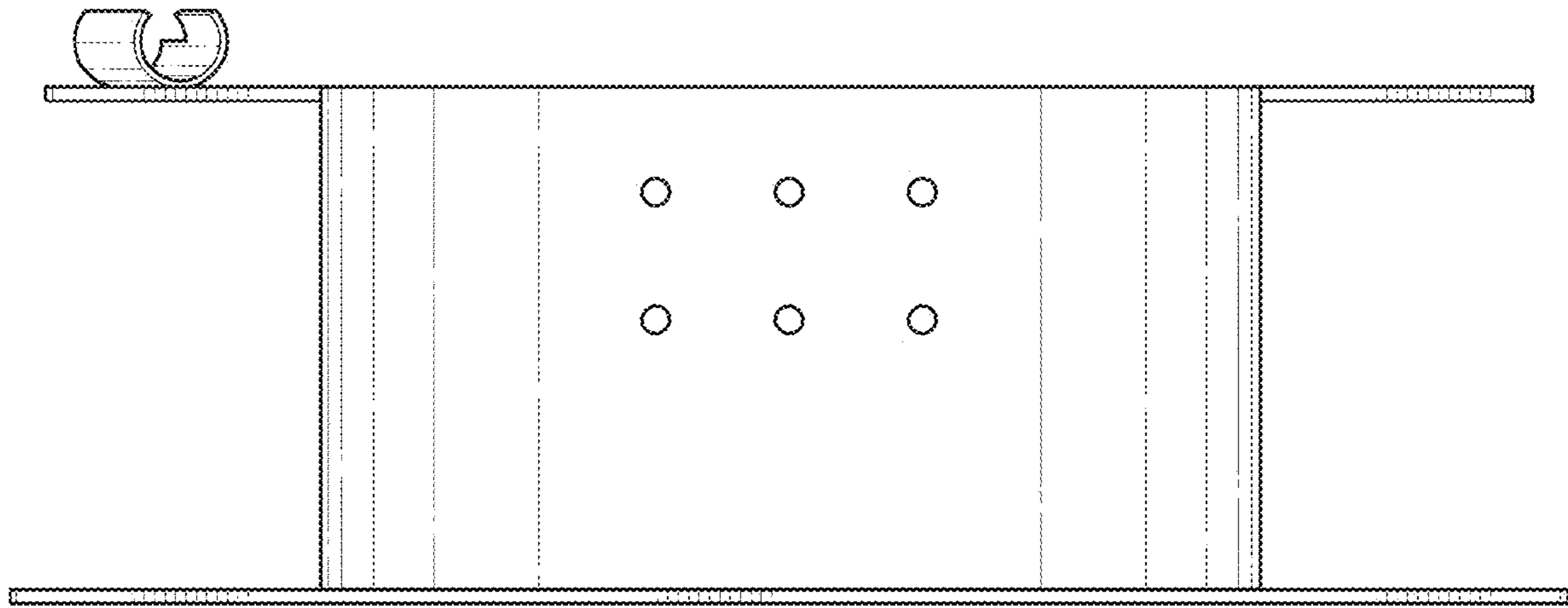


FIG. 4

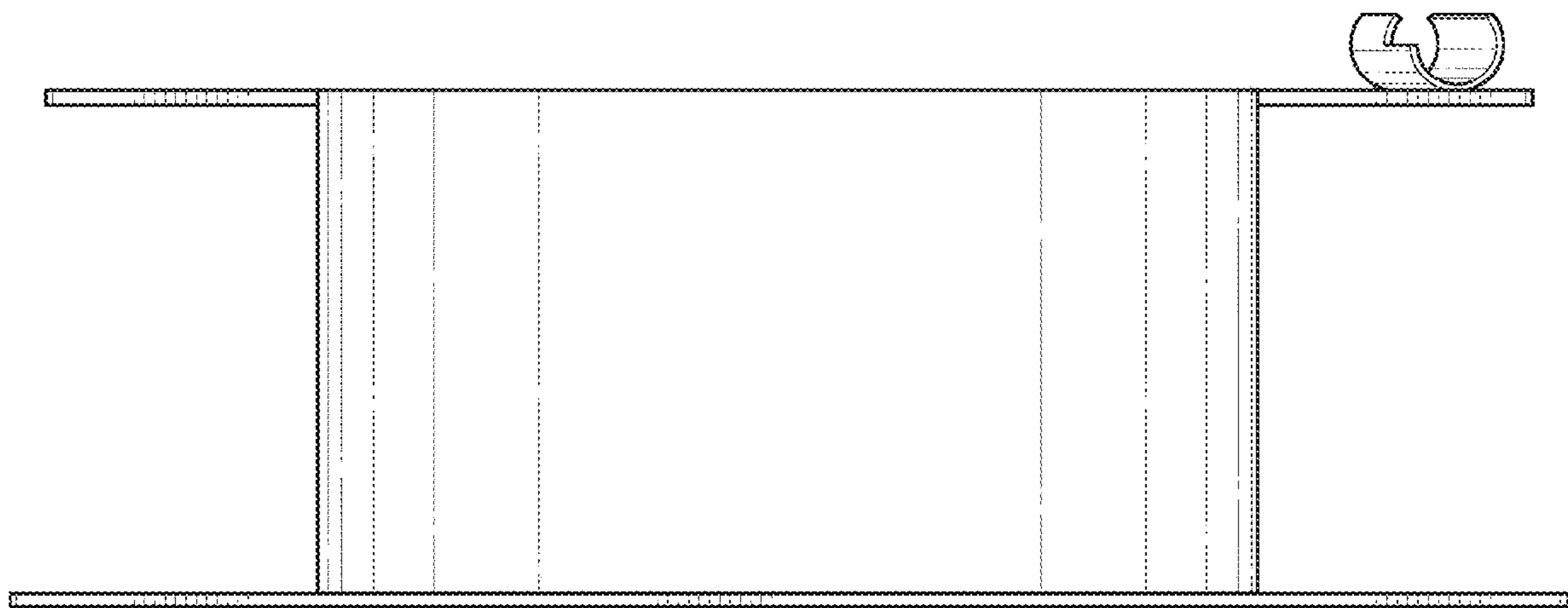


FIG. 5

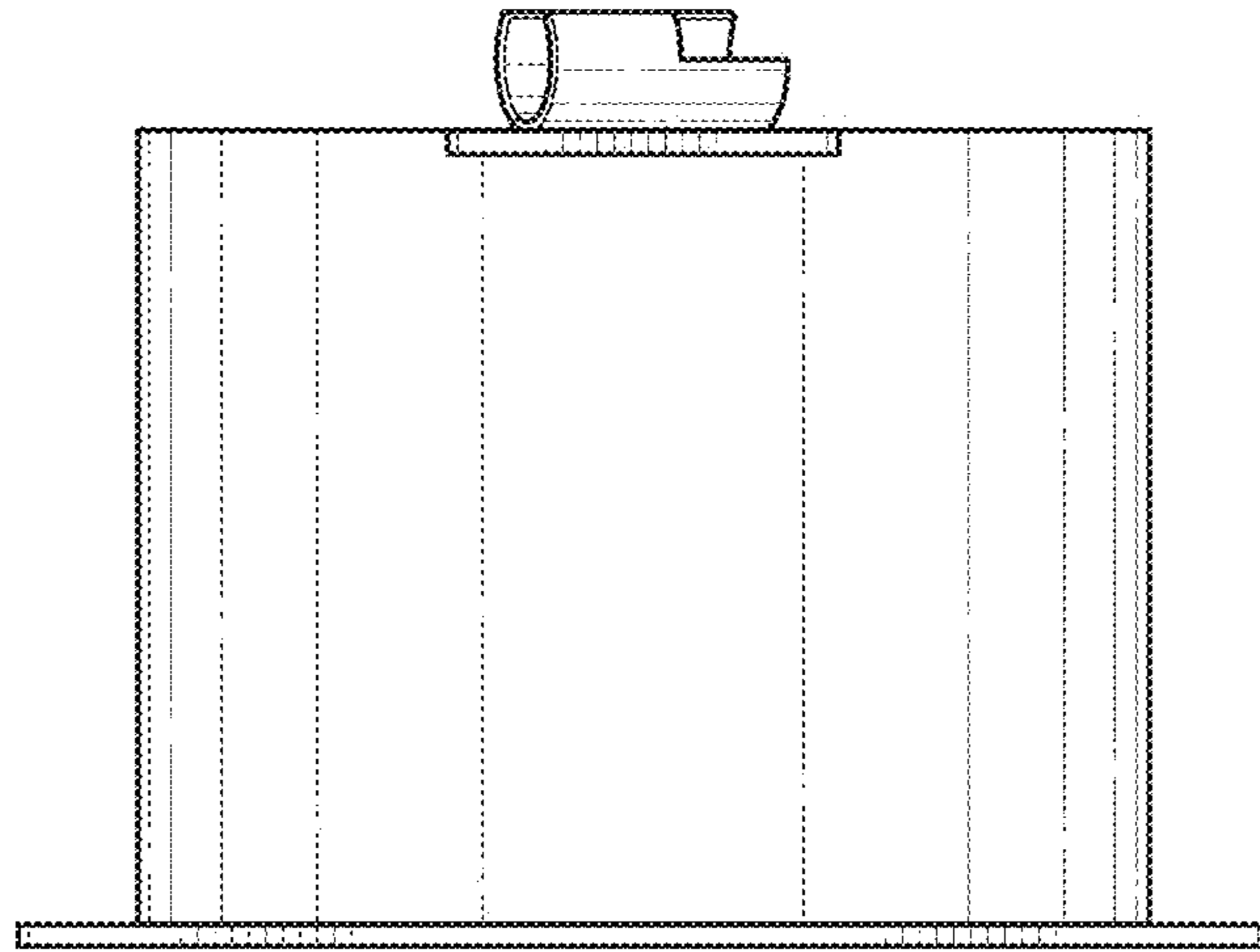


FIG. 6

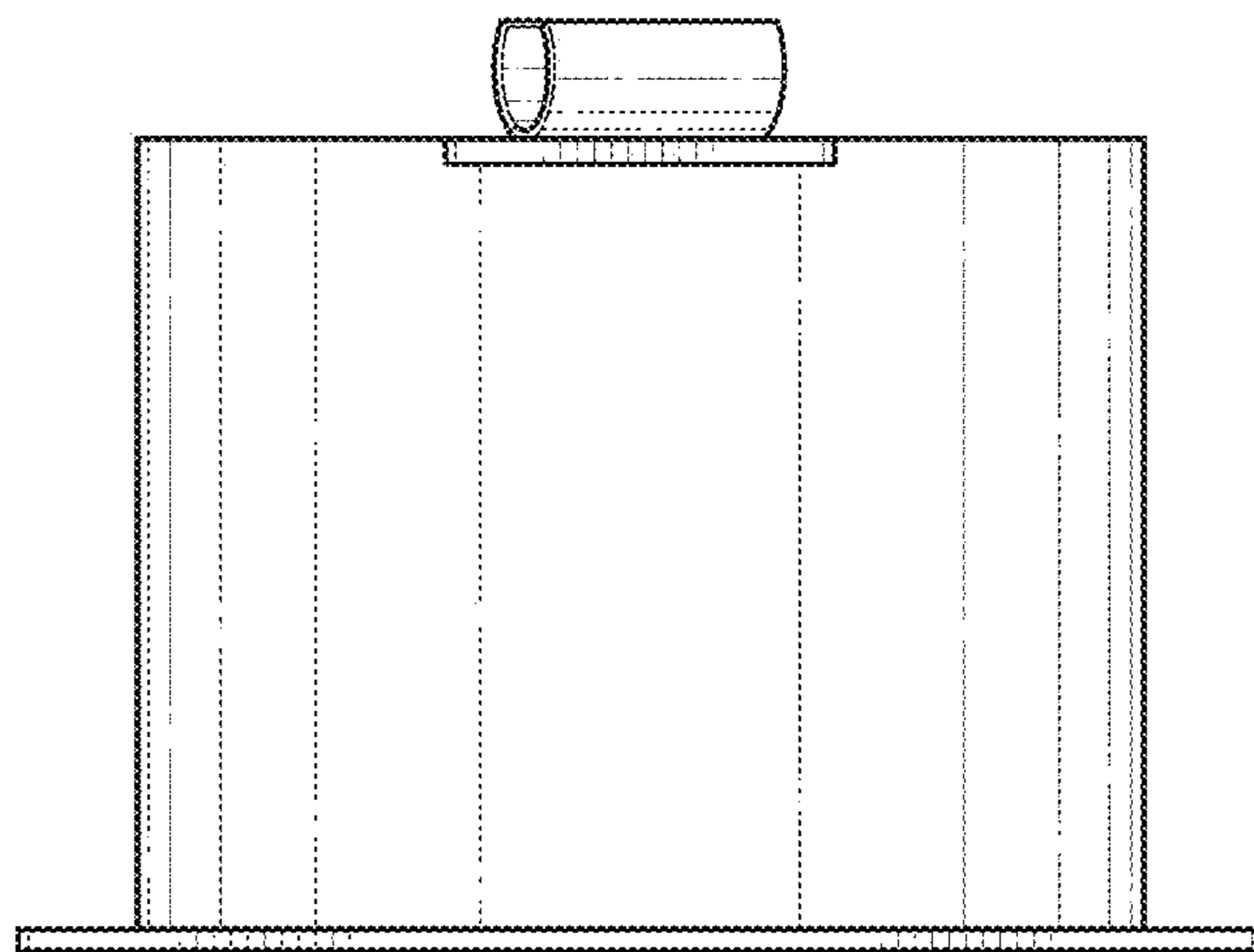


FIG. 7