



US00D965415S

(12) **United States Design Patent** (10) **Patent No.:** **US D965,415 S**
Witherbee et al. (45) **Date of Patent:** **** *Oct. 4, 2022**

(54) **MOUNTING BRACKET** 4,890,391 A 1/1990 Warren
4,898,357 A 2/1990 Jorgensen et al.
(71) Applicant: **Eaton Intelligent Power Limited,** 4,943,022 A 7/1990 Rinderer
Dublin (IE) 4,964,525 A 10/1990 Coffey et al.
(Continued)

(72) Inventors: **Martin Lee Witherbee,** Godfrey, IL
(US); **Jacob Lee Johnson,** New Baden,
IL (US); **Karthik Pandurang Shenoy,**
Bengaluru (IN); **Jonathan N. Fore,** St.
Louis, MO (US)

FOREIGN PATENT DOCUMENTS

AU 2010241518 9/2011
CA 1272522 8/1990
(Continued)

(73) Assignee: **EATON INTELLIGENT POWER LIMITED,** Dublin (IE)

OTHER PUBLICATIONS

(*) Notice: This patent is subject to a terminal disclaimer.

B-LINE by Eaton BB4-6 Mtg Bracket, posted at walmart.com, posting date not given, [online], [site visited Nov. 4, 2021]. Available from Internet, URL: <https://www.walmart.com/ip/B-LINE-by-Eaton-BB4-6-Mtg-Bracket-2-1-2-to-6-in-Studs/113422672> (Year: 2021).*

(**) Term: **15 Years**

(Continued)

(21) Appl. No.: **29/771,776**

(22) Filed: **Feb. 25, 2021**

Primary Examiner — Michael C Stout
Assistant Examiner — Maria J. Edwards
(74) *Attorney, Agent, or Firm* — Stinson LLP

Related U.S. Application Data

(62) Division of application No. 29/684,264, filed on Mar. 19, 2019, now Pat. No. Des. 913,080.

(51) **LOC (13) Cl.** **08-05**

(52) **U.S. Cl.**
USPC **D8/354**

(58) **Field of Classification Search**
USPC D8/349, 354
CPC A47B 45/00; A47B 81/00; A47B 2/005
See application file for complete search history.

CLAIM

(57) The ornamental design for a mounting bracket, as shown and described.

DESCRIPTION

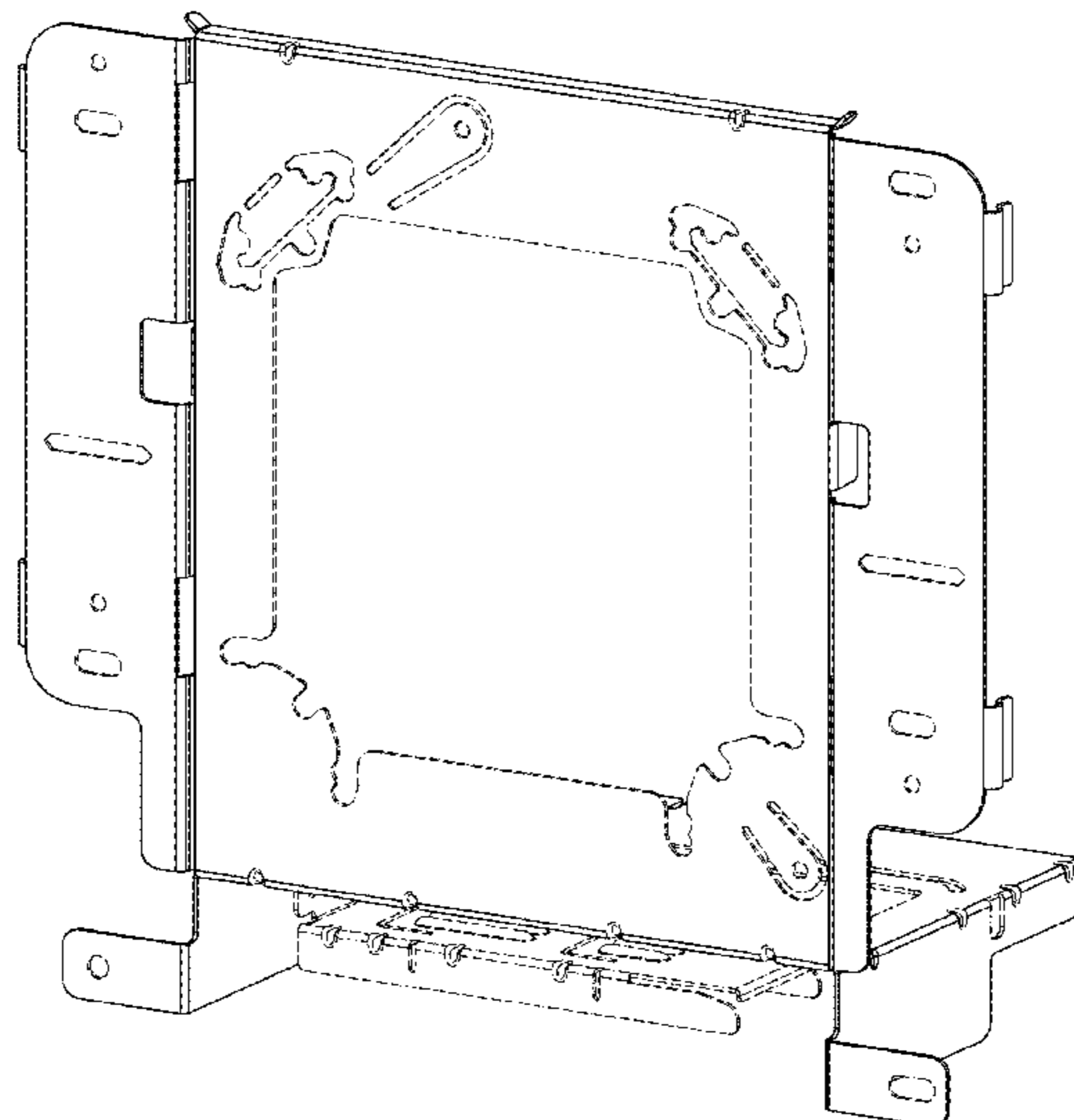
FIG. 1 is a perspective of a mounting bracket of the present disclosure;
FIG. 2 is a front view of the mounting bracket;
FIG. 3 is a right side view of the mounting bracket;
FIG. 4 is a top view of the mounting bracket;
FIG. 5 is a rear view of the mounting bracket;
FIG. 6 is a left side view of the mounting bracket; and,
FIG. 7 is a bottom view of the mounting bracket.
The broken lines in the drawings depict portions of the article and form no part of the claimed design.

(56) **References Cited**

U.S. PATENT DOCUMENTS

4,533,060 A 8/1985 Medlin
4,668,693 A 8/1987 Meldin, Jr.
4,706,359 A 11/1987 Greenhill, Sr. et al.
4,757,908 A 7/1988 Medlin, Sr.
4,757,967 A 7/1988 Delmore et al.
4,888,879 A 12/1989 Dixon

1 Claim, 7 Drawing Sheets



(56)

References Cited

U.S. PATENT DOCUMENTS

4,978,092 A 12/1990 Nattel
 5,025,944 A 6/1991 Rodick
 5,114,105 A 5/1992 Young
 5,263,676 A 11/1993 Medlin, Jr. et al.
 5,295,644 A 3/1994 Ferguson, Jr.
 5,386,959 A 2/1995 Laughlin et al.
 5,408,045 A 4/1995 Jorgensen et al.
 5,434,359 A 7/1995 Schnell
 5,452,873 A 9/1995 Laughlin
 5,595,362 A 1/1997 Rinderer et al.
 5,603,424 A 2/1997 Bordwell et al.
 5,619,263 A 4/1997 Laughlin et al.
 5,810,303 A 9/1998 Bourassa et al.
 5,833,110 A 11/1998 Chandler et al.
 5,841,068 A 11/1998 Umstead et al.
 5,931,425 A 8/1999 Oliva
 5,950,853 A 9/1999 Jorgensen
 6,105,918 A 8/2000 Gromotka
 6,389,658 B1 5/2002 Pfaller et al.
 6,595,479 B2 7/2003 Johnson et al.
 6,666,419 B1 12/2003 Vrame
 6,871,827 B2 3/2005 Petak et al.
 6,956,172 B2 10/2005 Dinh
 7,025,314 B1 4/2006 Thomas et al.
 7,036,782 B2 5/2006 Cheatham et al.
 7,073,757 B2 7/2006 Johnson et al.
 7,105,742 B1 9/2006 Jolly
 7,112,743 B2 9/2006 Hull et al.
 7,148,420 B1 12/2006 Johnson et al.
 7,179,995 B2 2/2007 Dinh
 7,214,877 B2 5/2007 de la Borbolla
 D557,117 S 12/2007 Cannaverde
 7,360,745 B2 4/2008 Nikayin et al.
 7,373,730 B2 5/2008 Murphy
 7,388,150 B2 6/2008 Dinh et al.
 7,398,949 B2 7/2008 Weech et al.
 7,439,443 B2 10/2008 Dinh
 7,472,875 B2 1/2009 Rinderer
 7,501,575 B2 3/2009 Jolly
 7,544,889 B1 6/2009 Sanchez
 7,549,549 B1 6/2009 Kiely
 7,563,989 B1 7/2009 Fils
 7,628,286 B2 12/2009 Lalancette
 7,659,478 B2 2/2010 Schlachter
 7,667,137 B1 2/2010 Beckman
 7,771,094 B2 8/2010 Goode
 7,798,458 B2 9/2010 de la Borbolla et al.
 7,842,884 B2 11/2010 Johnson
 7,857,275 B2 12/2010 de la Borbolla
 7,923,635 B2 4/2011 Korcz et al.
 8,042,776 B2 10/2011 Johnson
 8,193,446 B1 6/2012 Taylor
 8,253,040 B2 8/2012 Hopkins
 8,328,150 B2 12/2012 Collins et al.
 8,403,289 B1 3/2013 Rinderer
 8,702,047 B2 4/2014 Nuernberger et al.
 8,975,519 B2 3/2015 Lalancette et al.
 8,998,154 B2 4/2015 Lupsa et al.
 9,010,696 B2 4/2015 Siddiqui et al.
 D732,939 S 6/2015 Cannaverde
 9,106,063 B2 8/2015 Amar
 9,163,782 B2 10/2015 Kerr et al.
 9,261,120 B2 2/2016 Colangelo et al.
 9,300,119 B2 3/2016 Korcz et al.
 9,397,491 B2 7/2016 Birli et al.
 9,444,246 B2 9/2016 Nakamura et al.
 9,531,175 B2 12/2016 Fowler, Jr.

9,559,504 B2 1/2017 Jones
 9,562,628 B2 2/2017 Nuernberger
 9,627,867 B2 4/2017 Korcz et al.
 9,748,752 B2 8/2017 Korcz et al.
 9,780,545 B2 10/2017 Witherbee
 9,822,926 B2 11/2017 Nikayin
 9,825,446 B2 11/2017 Korcz et al.
 9,853,431 B2 12/2017 Jones
 9,929,549 B2 3/2018 Witherbee et al.
 D821,849 S 7/2018 Nikayin
 D823,093 S 7/2018 Kanter
 10,077,866 B2 9/2018 Witherbee
 D835,972 S 12/2018 Patil
 D841,432 S 2/2019 Nikayin
 D865,487 S 11/2019 DeDios
 D886,201 S 6/2020 Kanter
 D913,080 S * 3/2021 Witherbee D8/354
 2005/0176278 A1 8/2005 Cheatham et al.
 2006/0237601 A1 10/2006 Rinderer
 2007/0187402 A1 8/2007 Dinh
 2007/0200039 A1 8/2007 Petak
 2009/0057303 A1 3/2009 Oddsen et al.
 2010/0006723 A1 1/2010 Frank
 2010/0176138 A1 7/2010 Zacharevitz et al.
 2010/0282933 A1 11/2010 Phillips
 2010/0288554 A1 11/2010 Jafari
 2011/0001026 A1 1/2011 Kubsad et al.
 2012/0018603 A1 1/2012 Kerr
 2013/0312997 A1 11/2013 Korte et al.
 2015/0318677 A1 11/2015 Witherbee
 2015/0333493 A1 11/2015 Jones
 2016/0099555 A1 4/2016 Nikayin
 2016/0273706 A1 9/2016 Lupsa et al.
 2016/0360629 A1 12/2016 Witherbee
 2017/0012421 A1 1/2017 Terwilleger
 2017/0077689 A1 3/2017 Korcz et al.
 2017/0187174 A1 6/2017 Witherbee et al.
 2017/0229852 A1 8/2017 Jones et al.
 2017/0256928 A1 9/2017 Korcz et al.
 2017/0294768 A1 10/2017 Thomas et al.
 2018/0062365 A1 3/2018 Kellerman
 2019/0376643 A1 12/2019 Witherbee

FOREIGN PATENT DOCUMENTS

CA 1280199 2/1991
 CA 2211583 7/2003
 CA 2828367 3/2014
 EP 2159892 3/2010
 FR 2744847 8/1997
 GB 2548701 A 9/2017

OTHER PUBLICATIONS

Eaton EPDU Mounting Bracket, posted at connection.com, posting date not given, [online], [site visited Nov. 4, 2021]. Available from Internet, URL: <https://www.connection.com/product/eaton-epdu-mounting-bracket/sub-hrdware-032/41052267> (Year: 2021).
 Erica H6R1 Electrical Box Mounting Bracket, posted at amazon.com, posting date Dec. 5, 2008, [online], [site visited Jul. 23, 2020]. Available from Internet, URL: <https://www.amazon.com/Erica-H6R1-Electrical-Mounting-Bracket/dp/B001N3YB51> (Year: 2008).
 T4 Stud Box Mounting Bracket, posted at amazon.com, posting date Sep. 17, 2019, [online], [site visited Jul. 23, 2020]. Available from Internet, URL: <https://www.amazon.com/Pack-Mounting-Bracket-Boxes-Studs/dp/B07XZK33NJ> (Year 2020).

* cited by examiner

FIG. 1

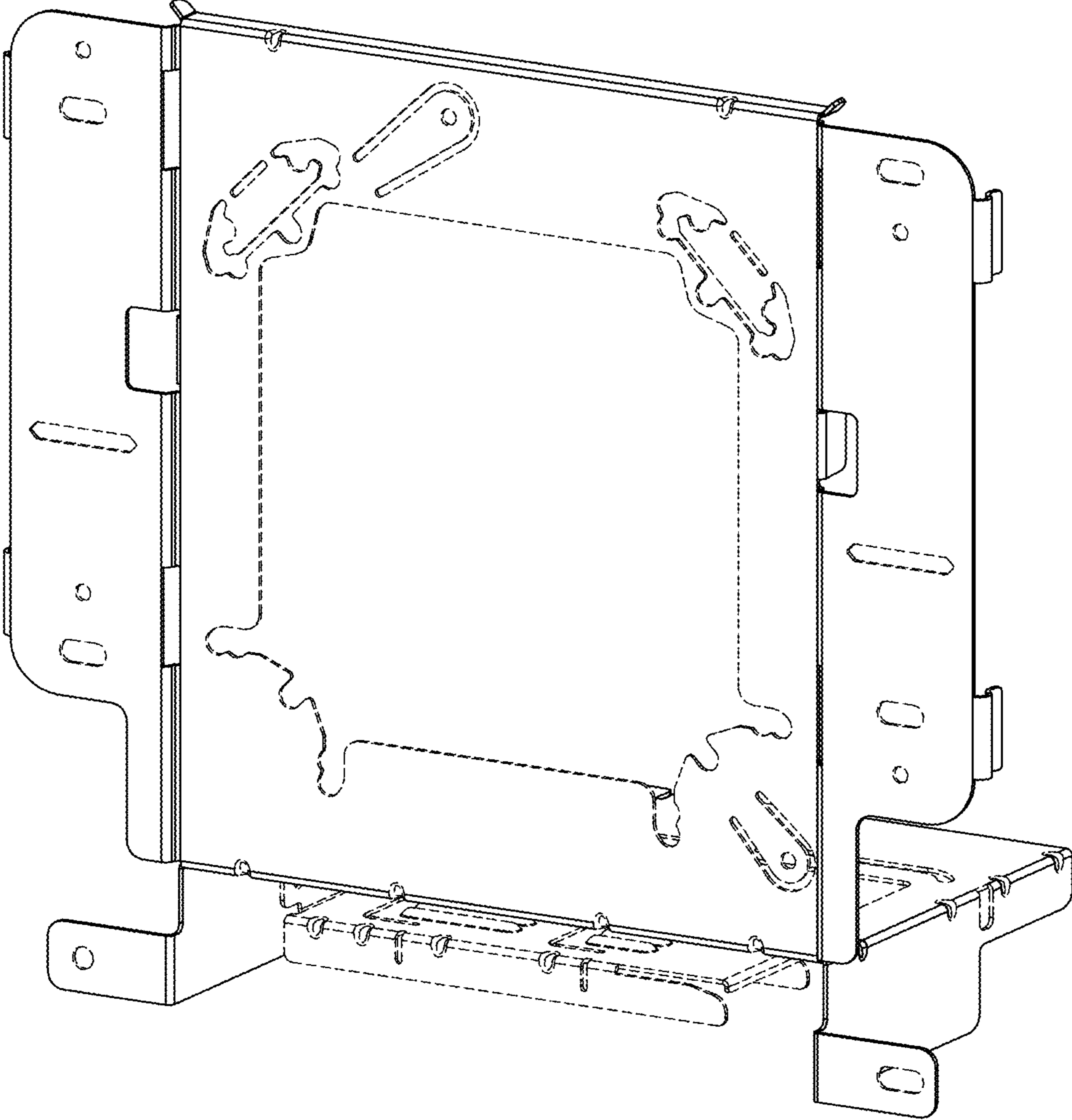


FIG. 2

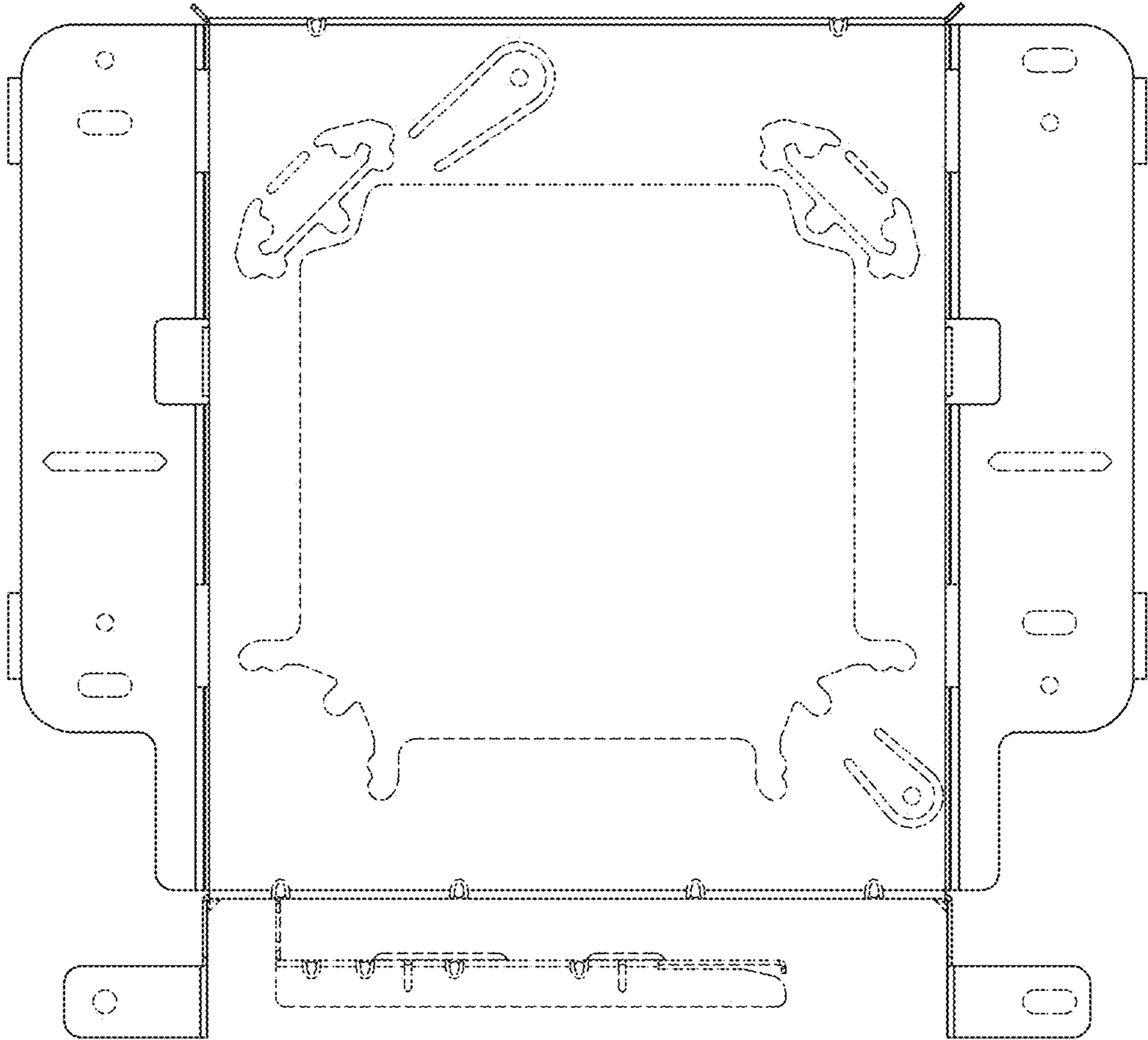


FIG. 3

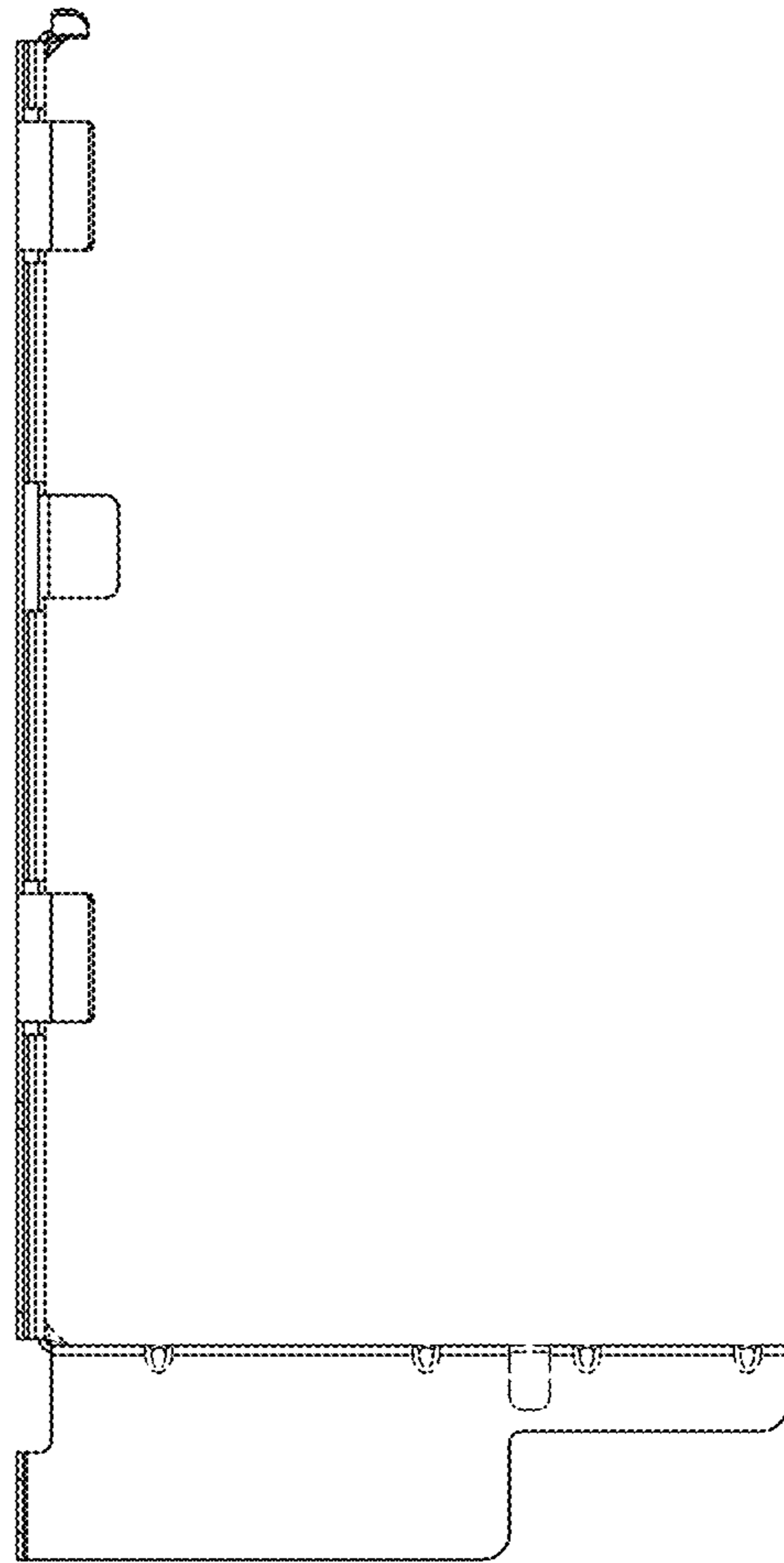


FIG. 4

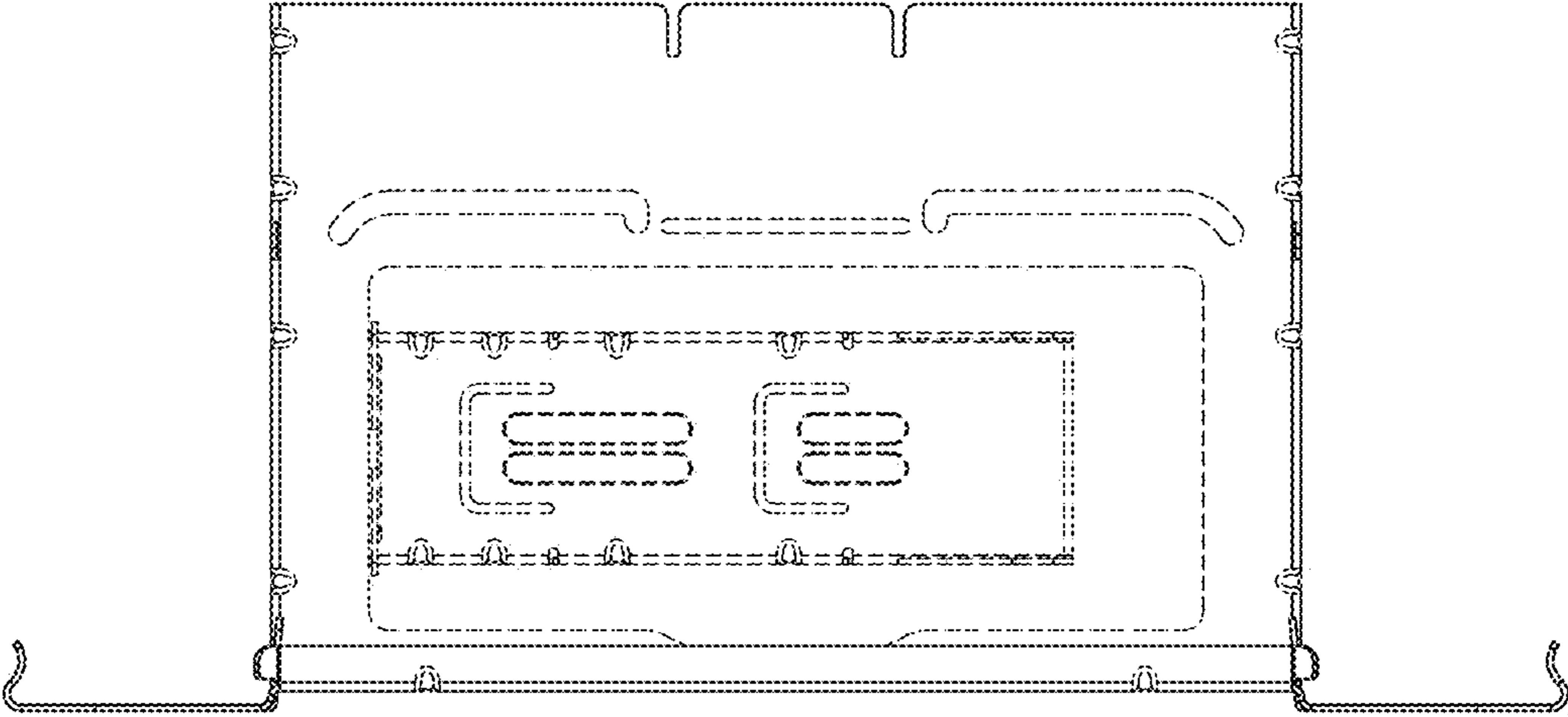


FIG. 5

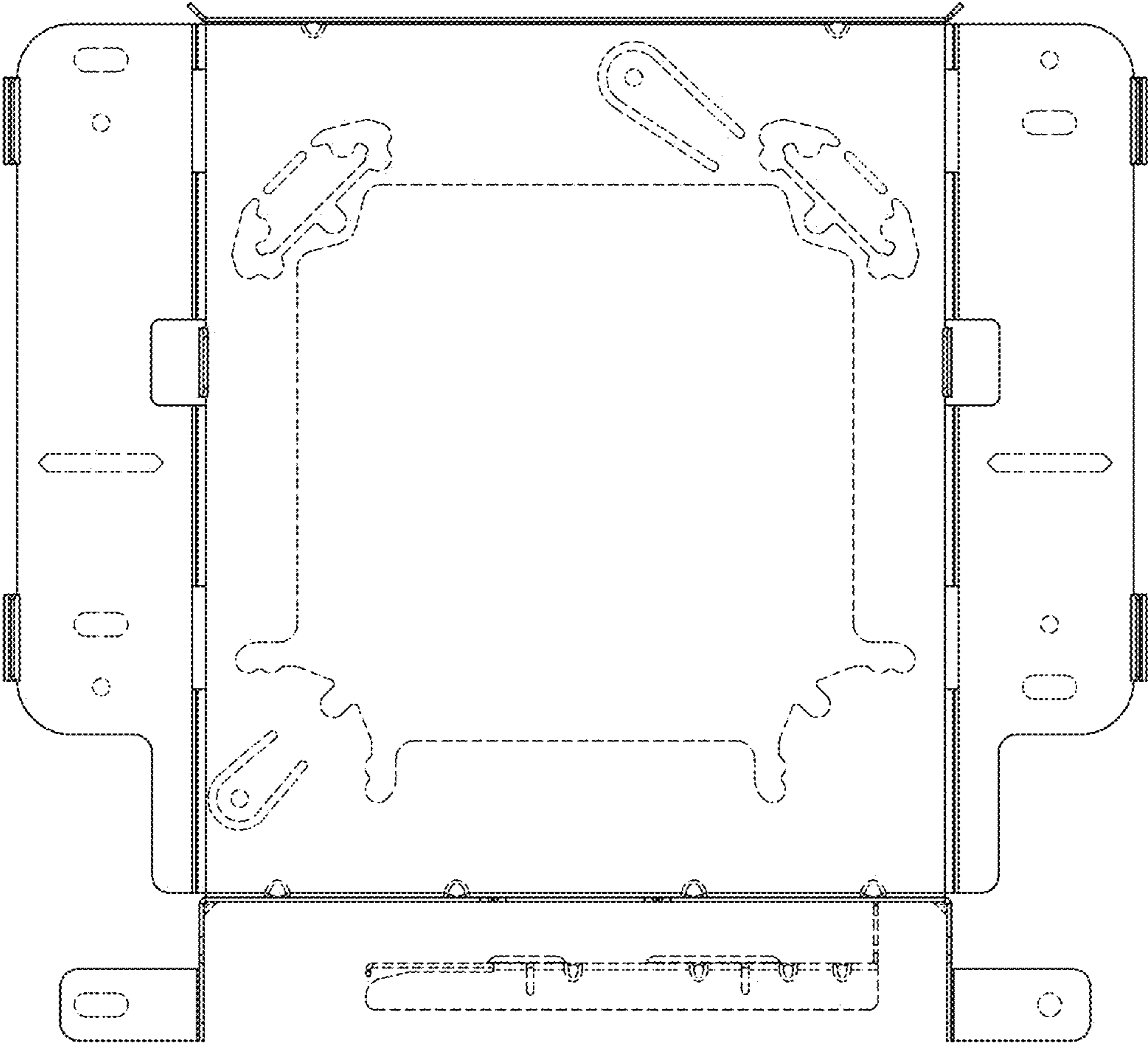


FIG. 6

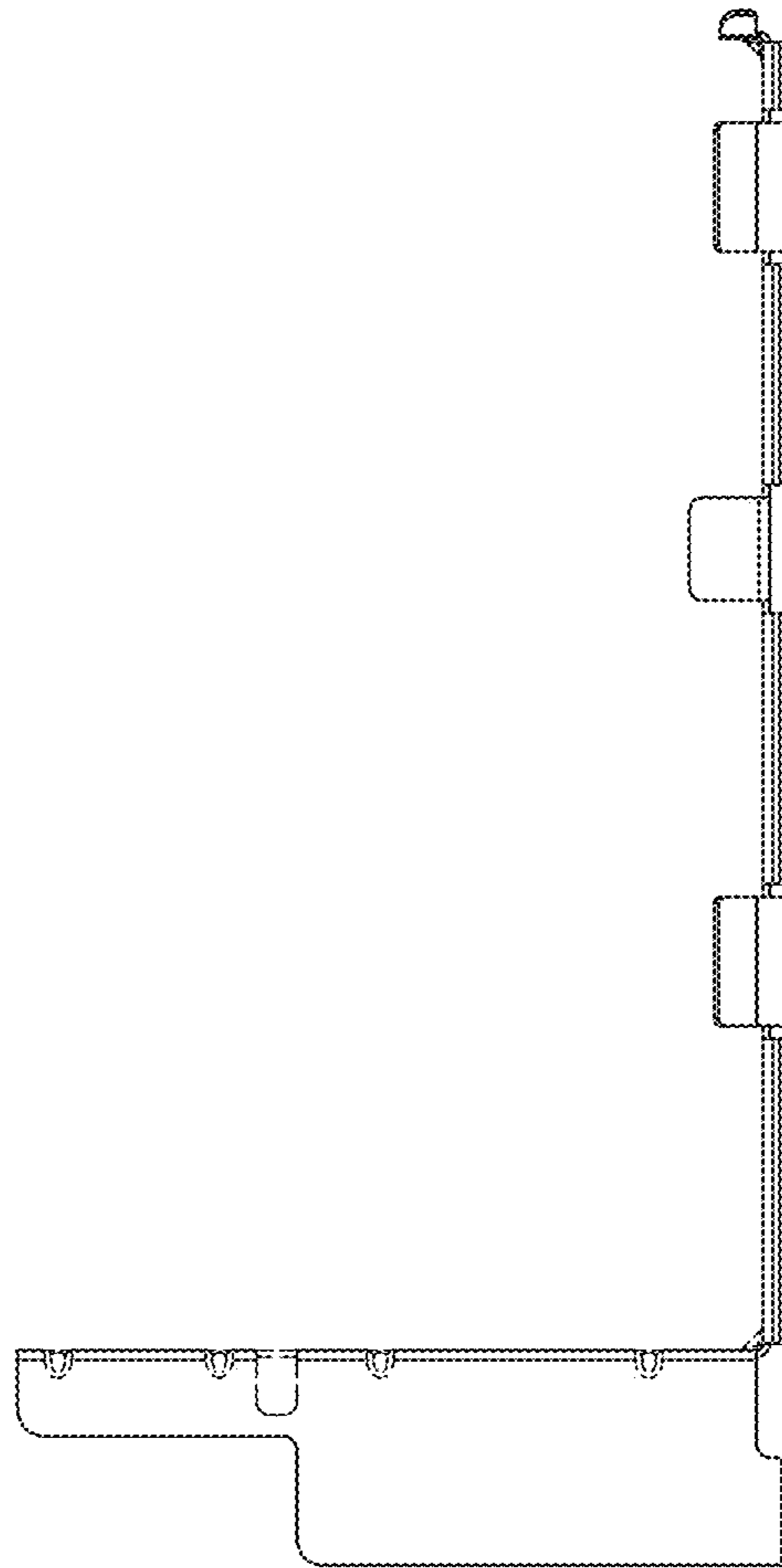


FIG. 7

