



US00D965414S

(12) **United States Design Patent** (10) **Patent No.:** **US D965,414 S**  
**Myers** (45) **Date of Patent:** **\*\* Oct. 4, 2022**

(54) **MOUNTING BRACKET**

(71) Applicant: **Firestone Industrial Products Company, LLC**, Nashville, TN (US)  
(72) Inventor: **J. Richard Myers**, Fishers, IN (US)  
(73) Assignee: **Firestone Industrial Products Company, LLC**, Nashville, TN (US)  
(\*\*) Term: **15 Years**

(21) Appl. No.: **29/748,678**

(22) Filed: **Aug. 31, 2020**

(51) **LOC (13) Cl.** ..... **08-05**

(52) **U.S. Cl.**  
USPC ..... **D8/354**

(58) **Field of Classification Search**  
USPC ..... D6/354, 366, 323; D8/354, 356, 382, D8/383; D12/223; D15/138, 141; D34/35  
CPC ..... F16F 2230/0005; H02B 1/04  
See application file for complete search history.

(56) **References Cited**

**U.S. PATENT DOCUMENTS**

D245,312 S *	8/1977	Rasmussen	.....	D8/356
D268,060 S *	2/1983	Sutela	.....	D34/35
D302,239 S *	7/1989	Russell	.....	D8/343
D320,027 S *	9/1991	Mintz	.....	D15/138
D333,085 S *	2/1993	Thomsen	.....	D8/349
D408,721 S *	4/1999	Sartini	.....	D8/363
D523,803 S *	6/2006	Smith	.....	D8/394
D538,734 S *	3/2007	Reimitz	.....	D12/223
D539,208 S *	3/2007	Reimitz	.....	D12/223
D557,117 S *	12/2007	Cannaverde	.....	D8/354
D684,033 S *	6/2013	Preda	.....	D8/354
D698,377 S *	1/2014	McGaughy	.....	D15/141
D823,093 S *	7/2018	Kanter	.....	D8/354
D826,700 S *	8/2018	Feng	.....	D8/356

(Continued)

**OTHER PUBLICATIONS**

Replacement Lower Bracket for Firestone Ride-Rite Air Helper Springs, available in etrailer.com, customer review oldest review date Sep. 16, 2016 Year 2016 [online], Retrieved on Feb. 15, 2022 from URL: <https://www.etrailer.com/Accessories-and-Parts/Firestone/F5781.html#exp-productdetails=.reviews> (Year: 2016).\*

(Continued)

*Primary Examiner* — Vy N Koenig

*Assistant Examiner* — Michelle M Reeves

(74) *Attorney, Agent, or Firm* — Thomas R. Kingsbury; Matthew P. Dugan

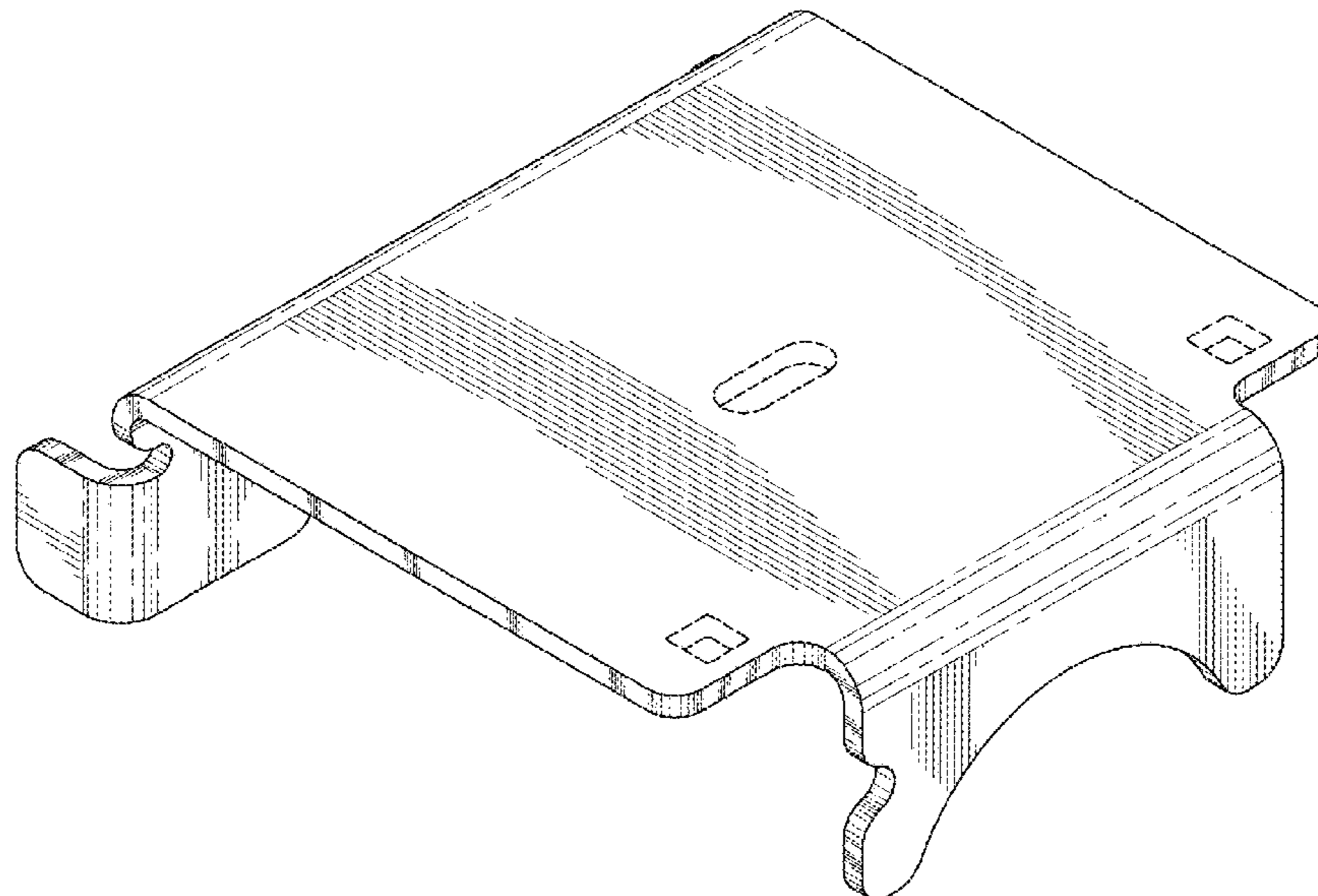
(57) **CLAIM**

The ornamental design for a mounting bracket, as shown and described.

**DESCRIPTION**

FIG. 1 is a top perspective view of a mounting bracket illustrating my new design;  
FIG. 2 is a bottom perspective view thereof;  
FIG. 3 is a front elevation view thereof;  
FIG. 4 is a rear elevation view thereof;  
FIG. 5 is a top plan view thereof;  
FIG. 6 is a bottom plan view thereof;  
FIG. 7 is a left side elevation view thereof; and,  
FIG. 8 is a right side elevation view thereof.  
Dashed lines illustrate unclaimed apertures of the mounting bracket that form no part of the claimed design.  
As indicated in the title, the article of manufacture to which the ornamental design has been applied is a mounting bracket. As non-limiting examples, such mounting brackets can be found integrated in and/or otherwise coupled to vehicles, industrial machinery, commercial equipment and/or consumer products, such as in use as a gas spring mounting bracket, for example.

**1 Claim, 8 Drawing Sheets**



(56)

**References Cited**

U.S. PATENT DOCUMENTS

D829,537 S	*	10/2018	Smith .....	D8/366
D891,229 S	*	7/2020	Hohmann, Jr. ....	D8/354
D902,701 S	*	11/2020	Smith .....	D8/366
D902,702 S	*	11/2020	Smith .....	D8/366
D928,595 S	*	8/2021	Smith .....	D8/366
D942,837 S	*	2/2022	Rice .....	D8/354

OTHER PUBLICATIONS

Firestone Installation Manual (2249) for Ride-Rite Air Helper Springs, pp. 1-14.

Firestone Installation Manual (2350) for Ride-Rite Air Helper Springs, pp. 1-16.

\* cited by examiner

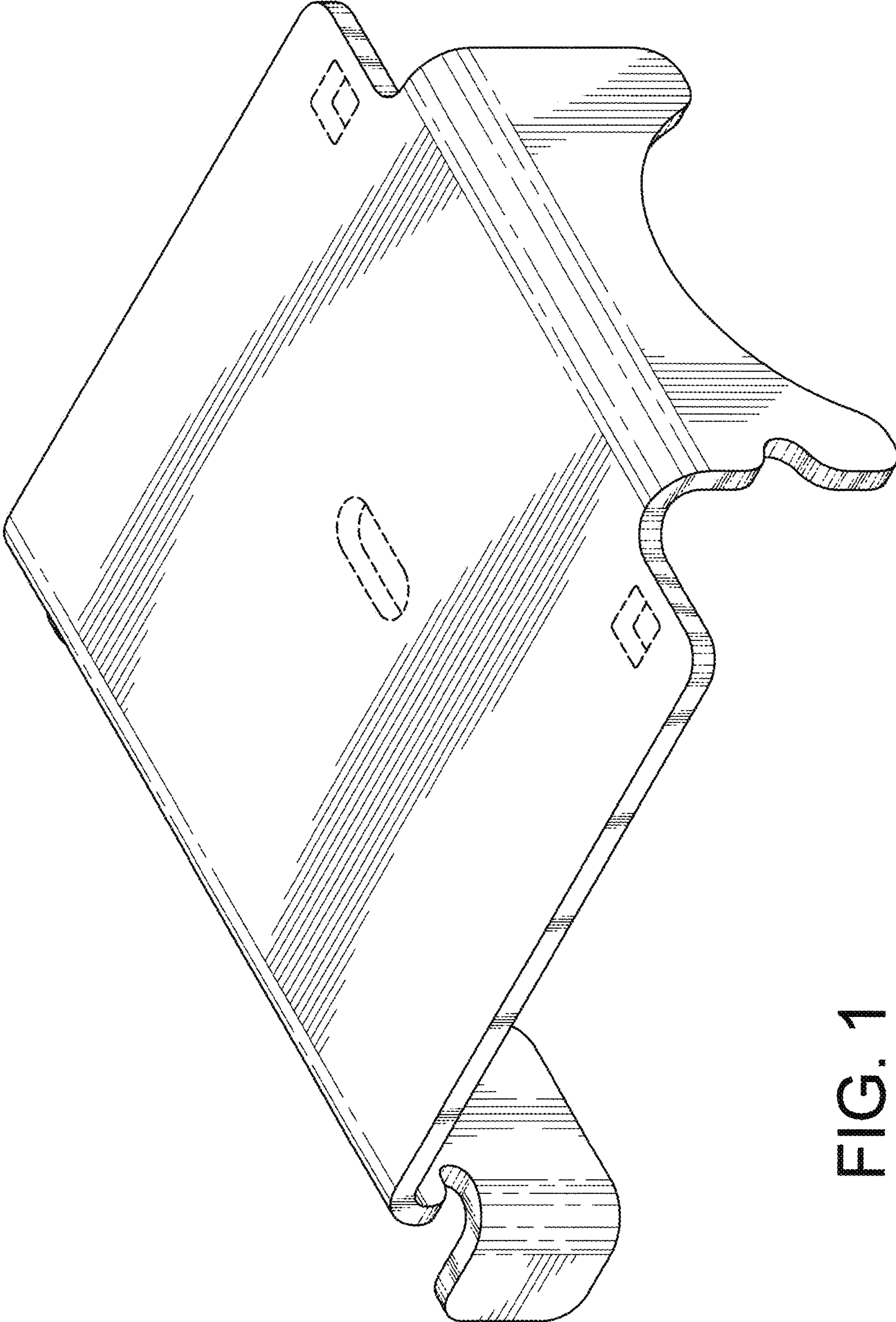


FIG. 1

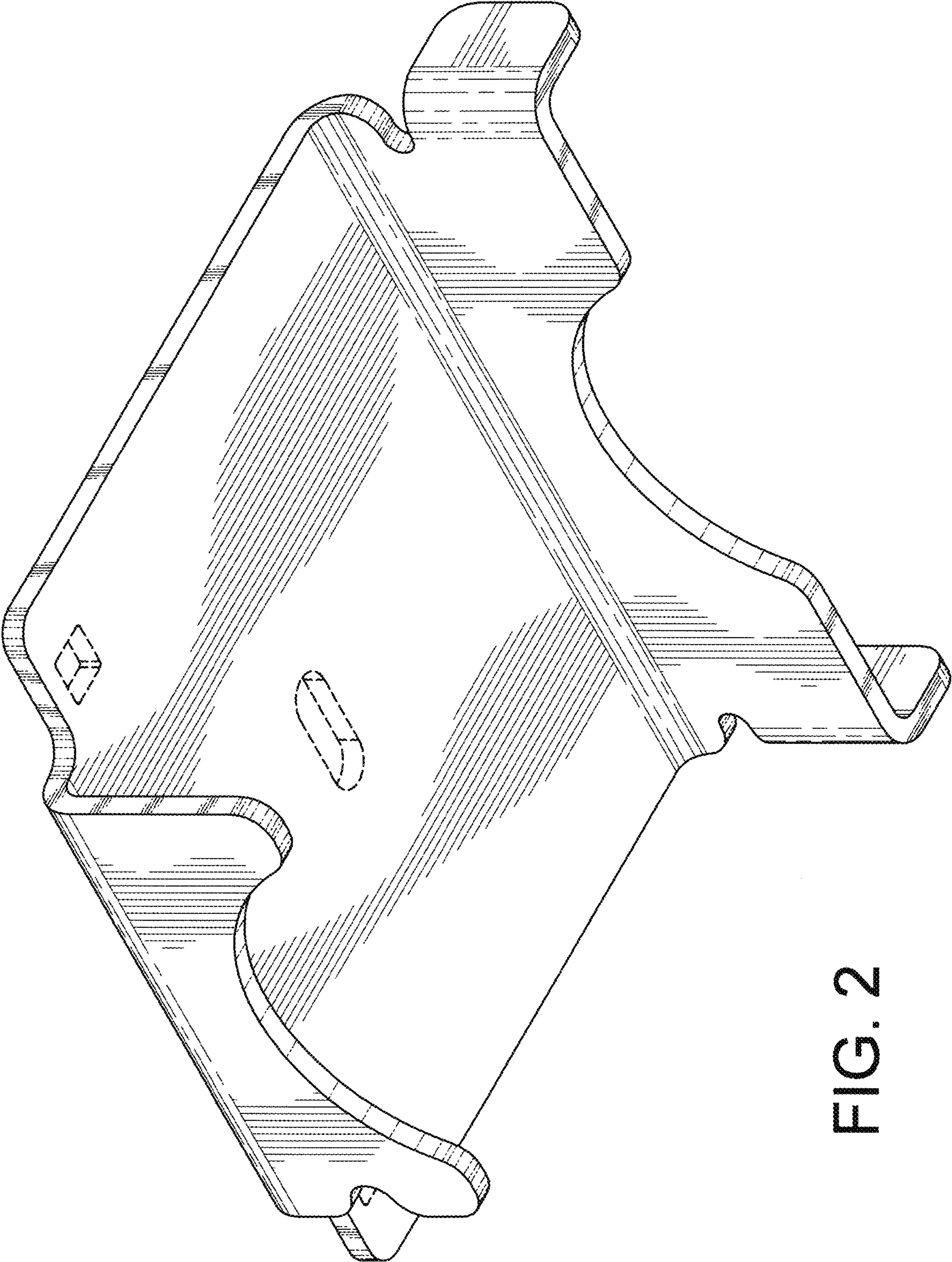


FIG. 2

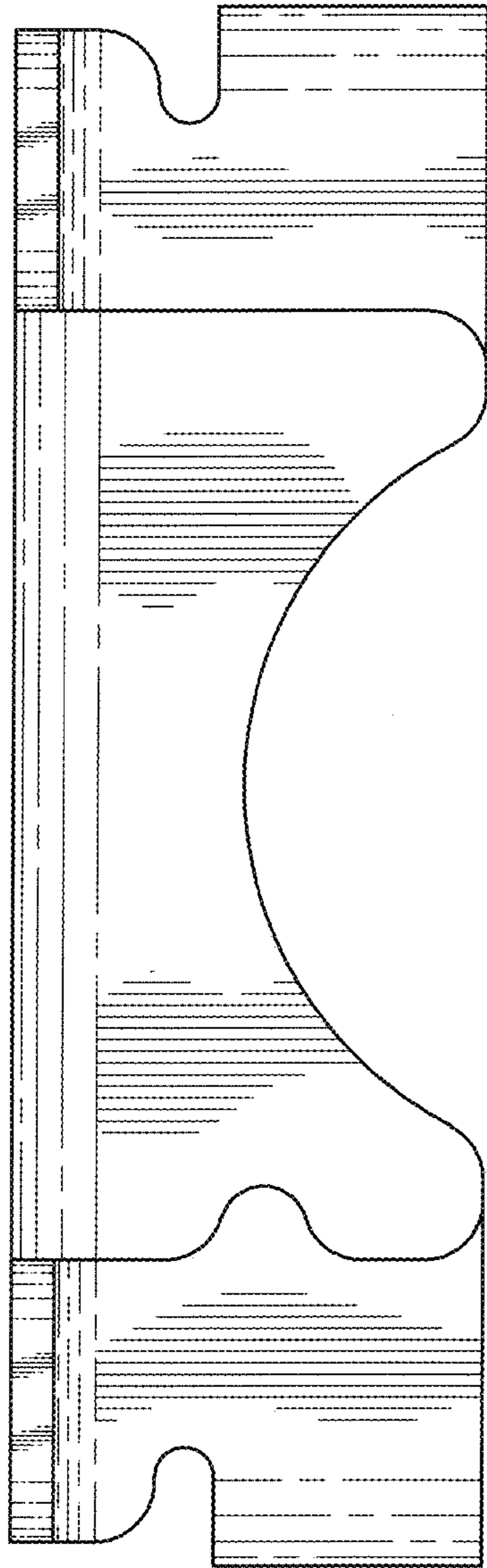


FIG. 3

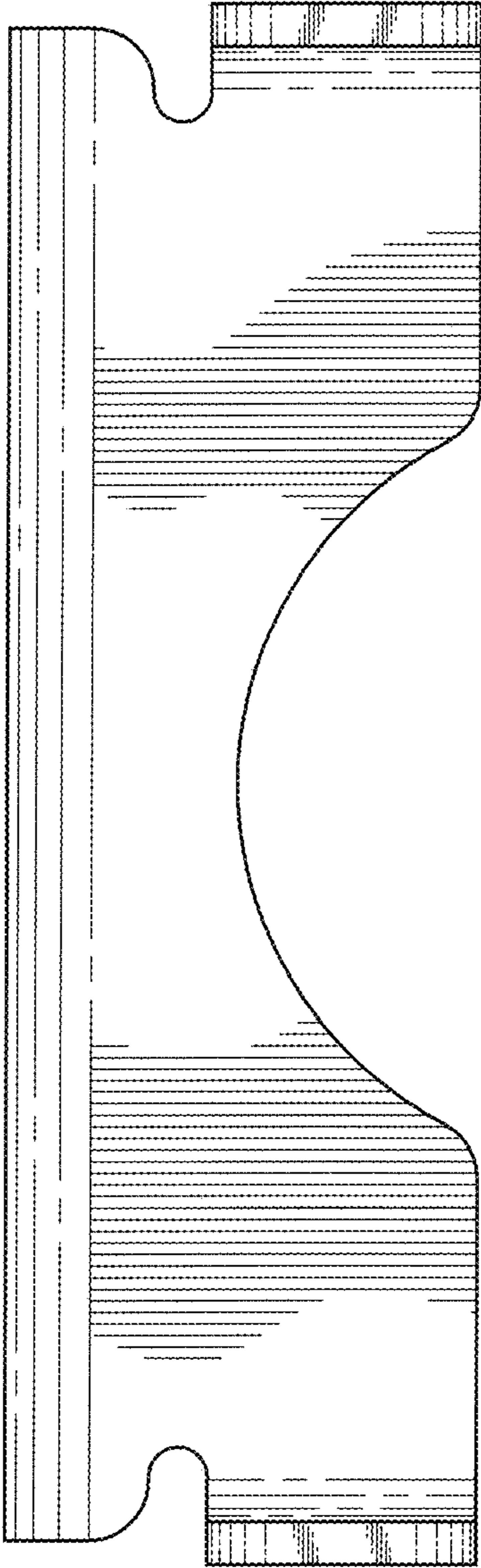


FIG. 4

FIG. 5

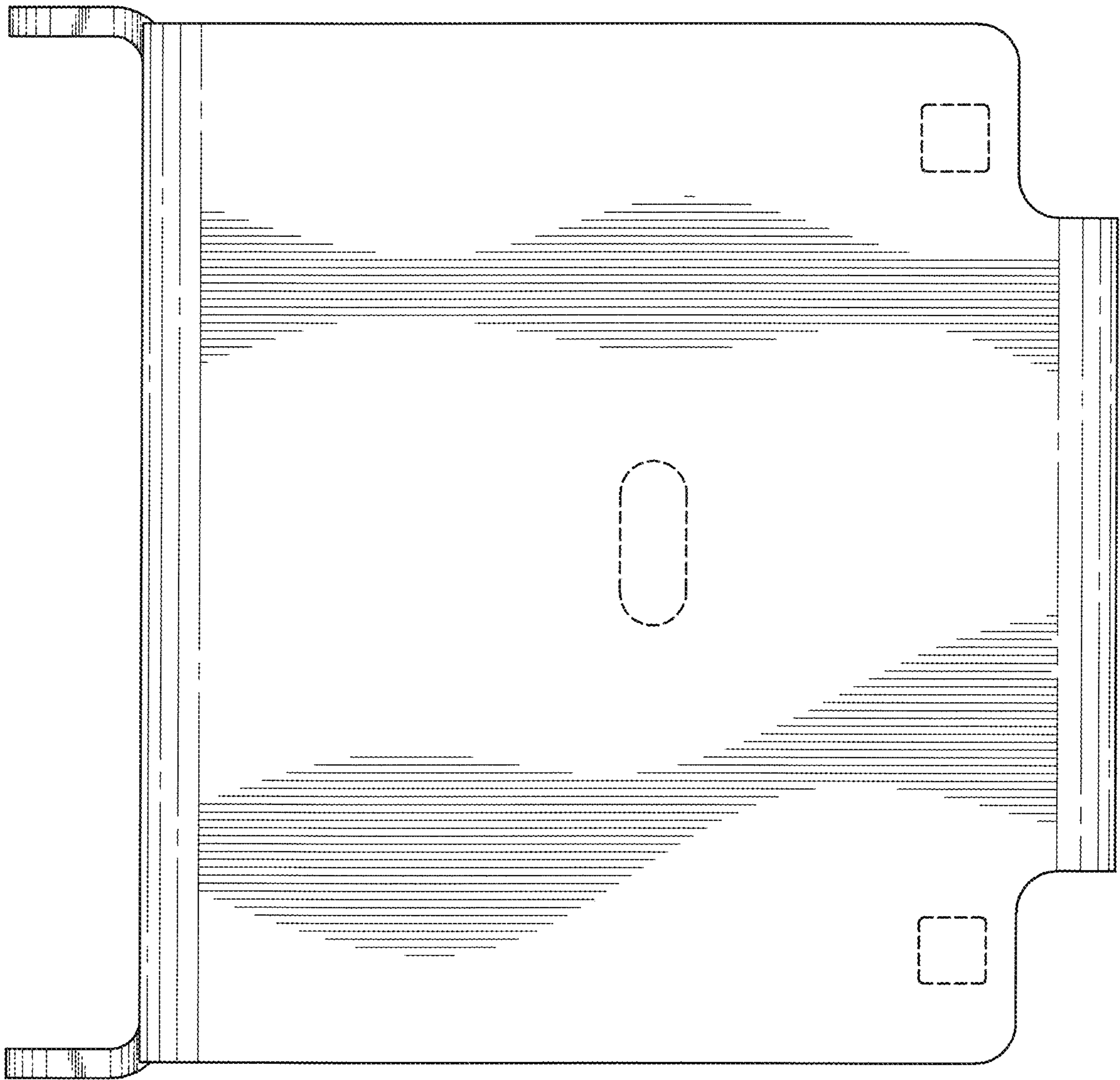
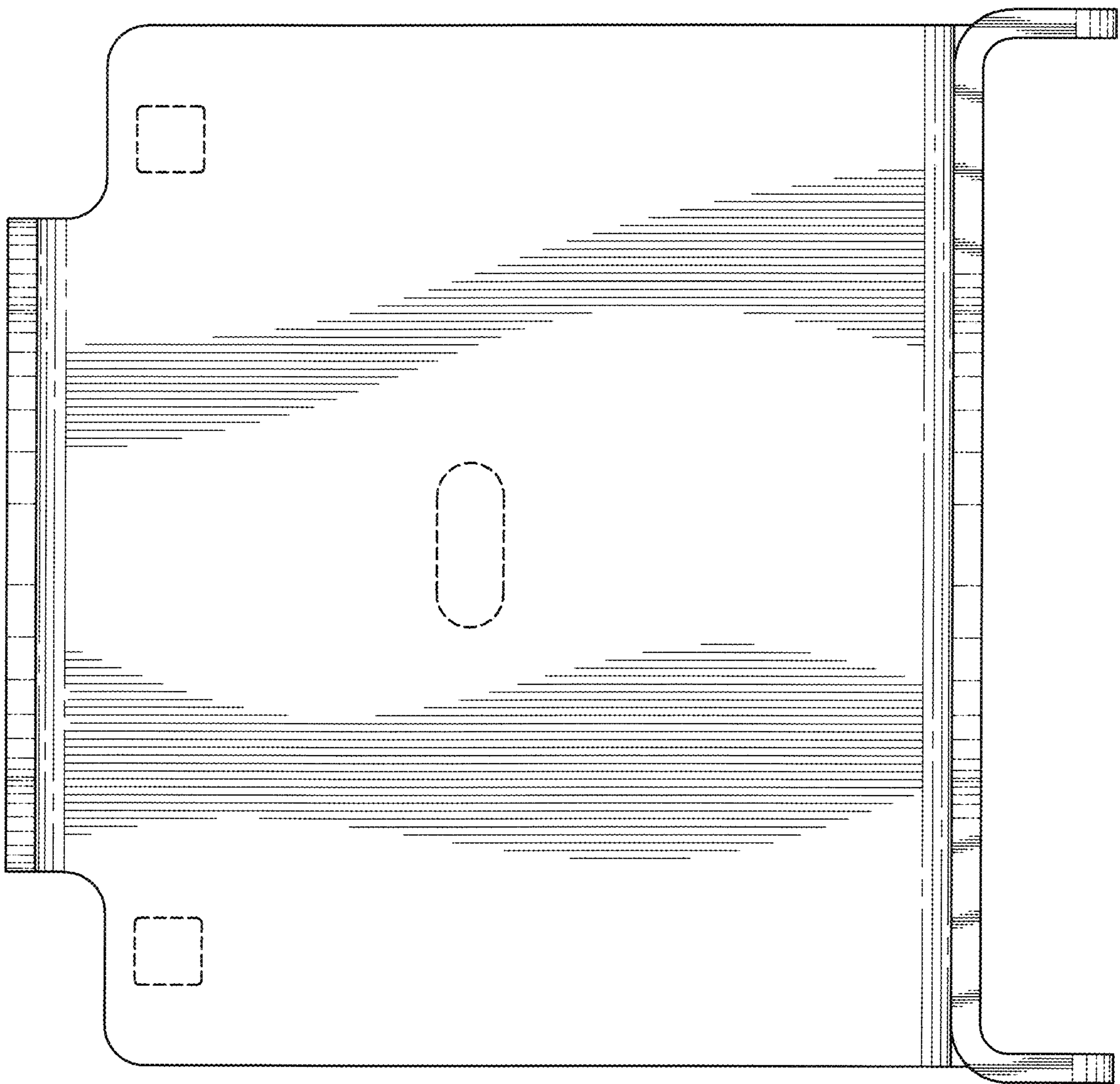


FIG. 6





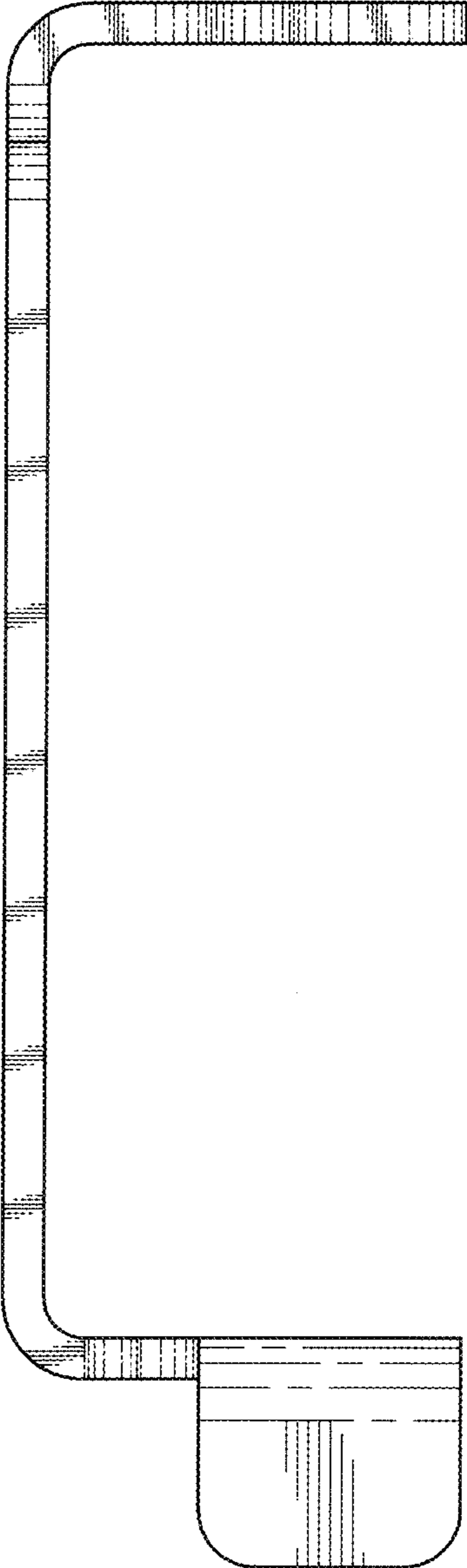


FIG. 7

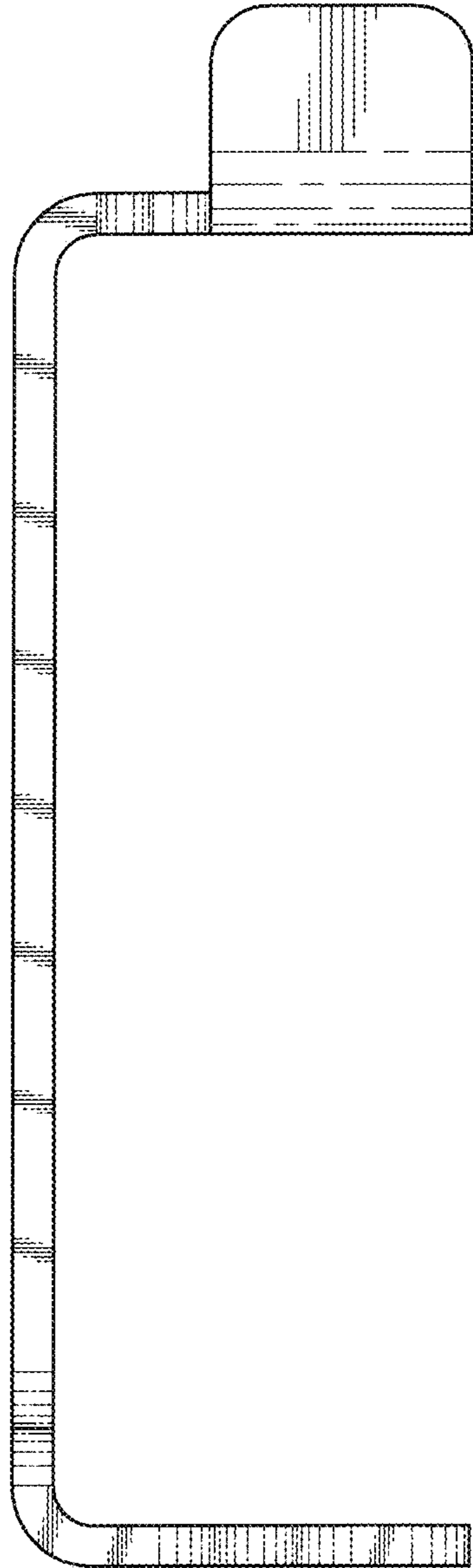


FIG. 8