



US00D965412S

(12) **United States Design Patent** (10) **Patent No.:** **US D965,412 S**
Pratt (45) **Date of Patent:** **** Oct. 4, 2022**

(54) **SUPPORT FOR BOATING ACCESSORIES**

D797,544 S * 9/2017 Attanasio D8/349
D833,265 S * 11/2018 Meola D8/396
D883,071 S * 5/2020 Pratt D8/349
D915,994 S * 4/2021 Pratt D8/349
D947,639 S * 4/2022 Grimes D8/71

(71) Applicant: **RAILBLAZA LIMITED**, Auckland (NZ)

(72) Inventor: **Christopher Pratt**, Auckland (NZ)

(73) Assignee: **RAILBLAZA LIMITED**, Auckland (NZ)

(**) Term: **15 Years**

(21) Appl. No.: **29/797,760**

(22) Filed: **Jul. 2, 2021**

(30) **Foreign Application Priority Data**

Feb. 11, 2021 (AU) 202110685

(51) **LOC (13) Cl.** **12-06**

(52) **U.S. Cl.**
USPC **D8/349**

(58) **Field of Classification Search**
USPC D12/215, 223, 300, 317; D15/4;
D8/349, 354, 355, 330, 331, 333, 380,
D8/382, 394

CPC F16B 5/06; F16B 7/04; F16B 7/18; F16B
17/00; B63B 32/00; B63B 32/70; B63B
32/77; B63B 32/83; B63B 17/00; B63B
34/26; B63B 21/04; B63B 21/08; B60R
11/00; E04B 1/2604; E04B 2001/2644

See application file for complete search history.

(56) **References Cited**

U.S. PATENT DOCUMENTS

D304,293 S * 10/1989 McCarthy D8/349
6,386,786 B1 * 5/2002 Perlman F16L 3/085
403/374.2
D658,482 S * 5/2012 Pratt D8/349
D757,520 S * 5/2016 Pratt D8/349
D796,629 S * 9/2017 Chen D23/214

OTHER PUBLICATIONS

Railblaza StarPort TracLoader 45-Degree, available in Amazon.com, customer review oldest date Sep. 10, 2020 [online], [Aug. 5, 2022], Available from the internet URL: https://www.amazon.com/RAILBLAZA-StarPort-TracLoader-45-Degree/dp/B07YQ5HK9W/ref=sr_1_19?crd=1PD2RKAIF8Q4F&keywords=railblaza+a...*
Railblaza StarPort TracLoader Base for Gunnel Track Boat Accessories, available in Amazon.com, customer review oldest date Mar. 8, 2020 [online], [Aug. 5, 2022], Available from the internet URL: https://www.amazon.com/RAILBLAZA-03-4129-11-StarPort-TracLoader/dp/B07R4N8FV1/ref=sr_1_16?crd=1PD2RKAIF8Q4F&keywords=railblaza+...*

(Continued)

Primary Examiner — Darlington Ly

Assistant Examiner — D. Ryan Tisdale

(74) *Attorney, Agent, or Firm* — Andrew F. Young; Nolte Lackenbach Siegel

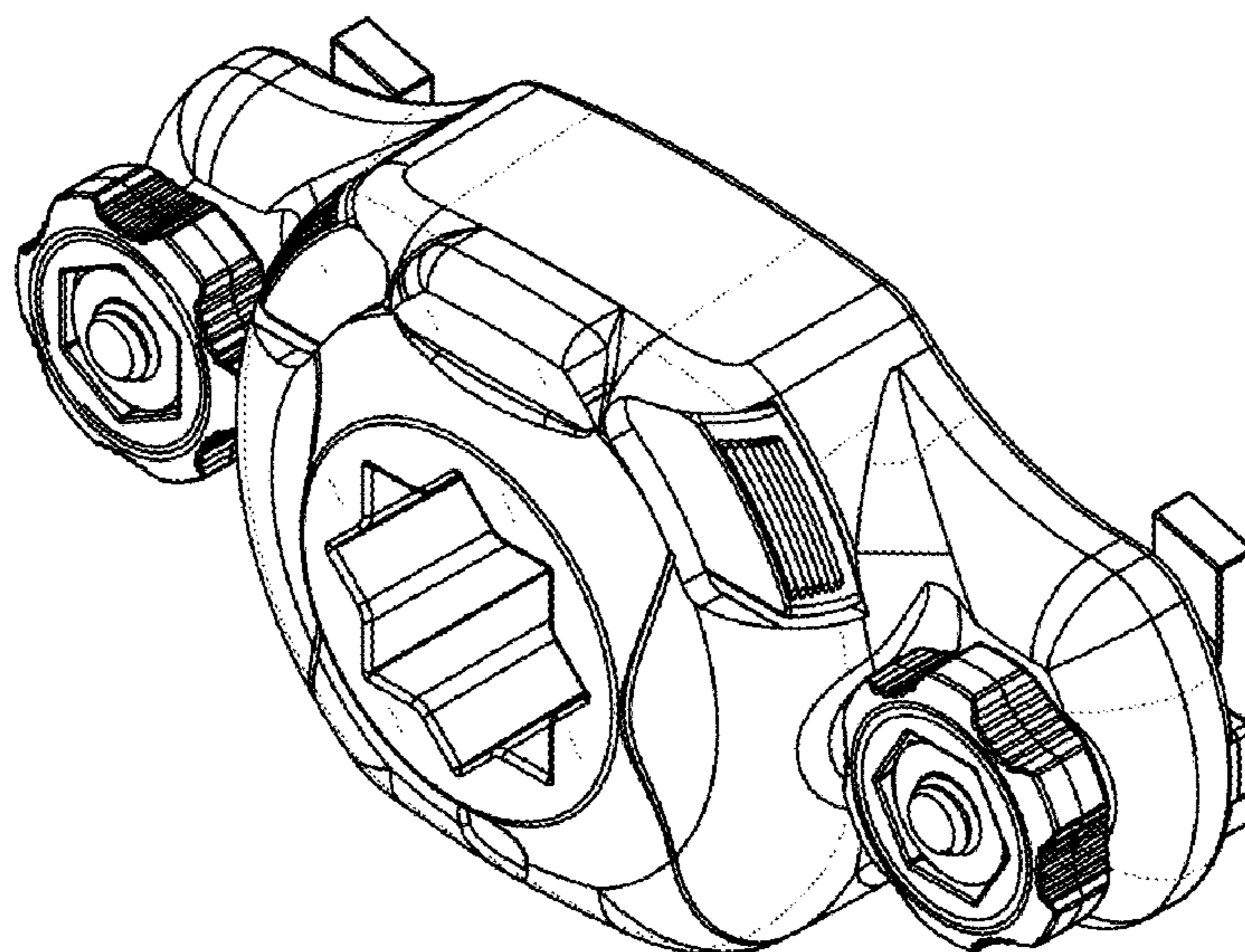
(57) **CLAIM**

The ornamental design for a support for boating accessories, as shown and described.

DESCRIPTION

FIG. 1 is a front isometric view of a support for boating accessories showing a new design;
FIG. 2 is a back isometric view thereof;
FIG. 3 is a top view thereof;
FIG. 4 is a bottom view thereof;
FIG. 5 is a front view thereof;
FIG. 6 is a back view thereof;
FIG. 7 is a right side view thereof; and,
FIG. 8 is a left side view thereof.

1 Claim, 8 Drawing Sheets



(56)

References Cited

OTHER PUBLICATIONS

Fitting our new Railblaza Equipment—StarPort Mounts, Rod Holders, Bait Table and Boom Arms, announced in YouTube on Jun. 8, 2020 [online], [site visited Aug. 5, 2022], Available from the internet URL: <https://www.youtube.com/watch?v=M598t0AbE1w>.*

* cited by examiner

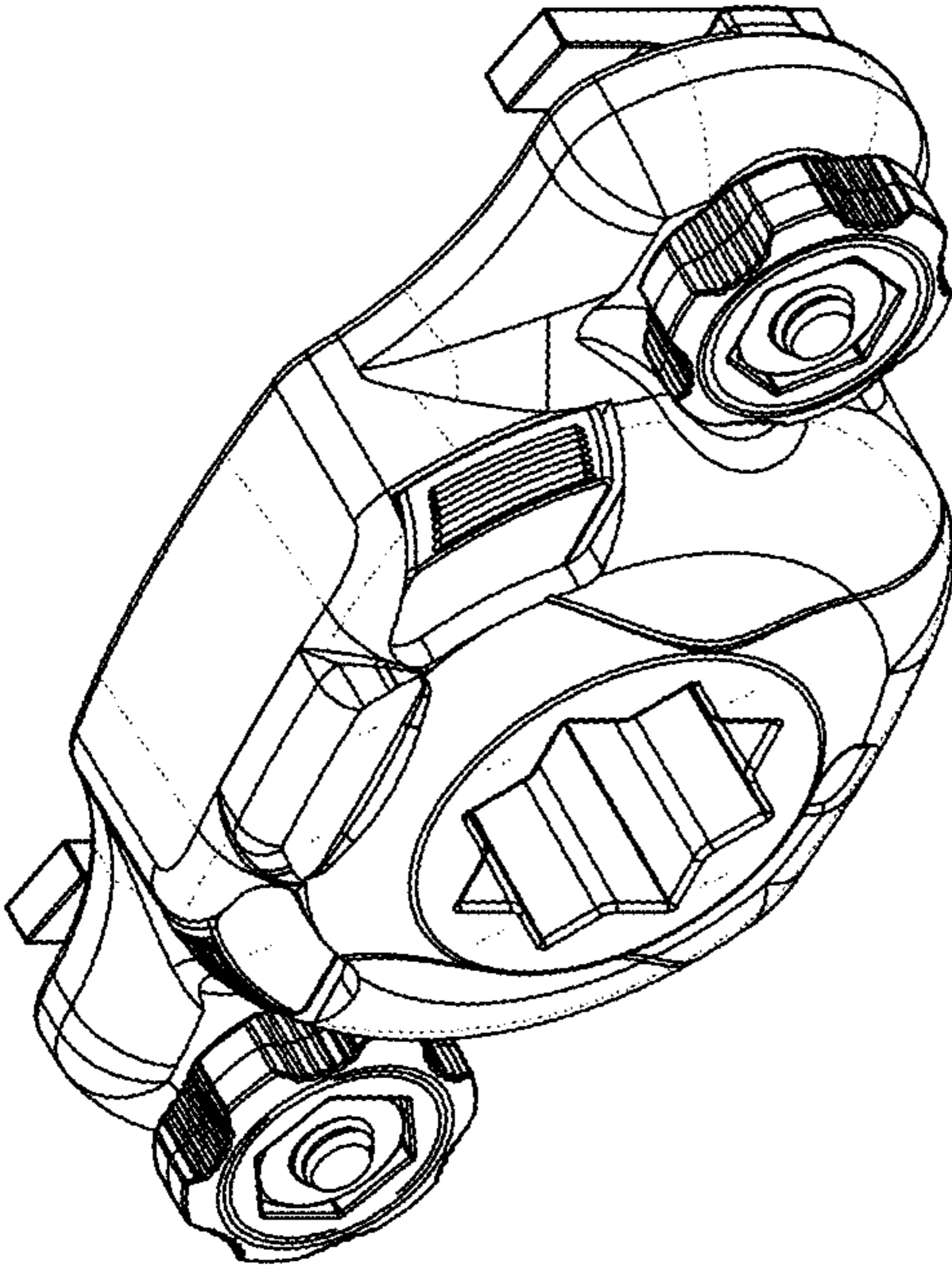


FIG. 1

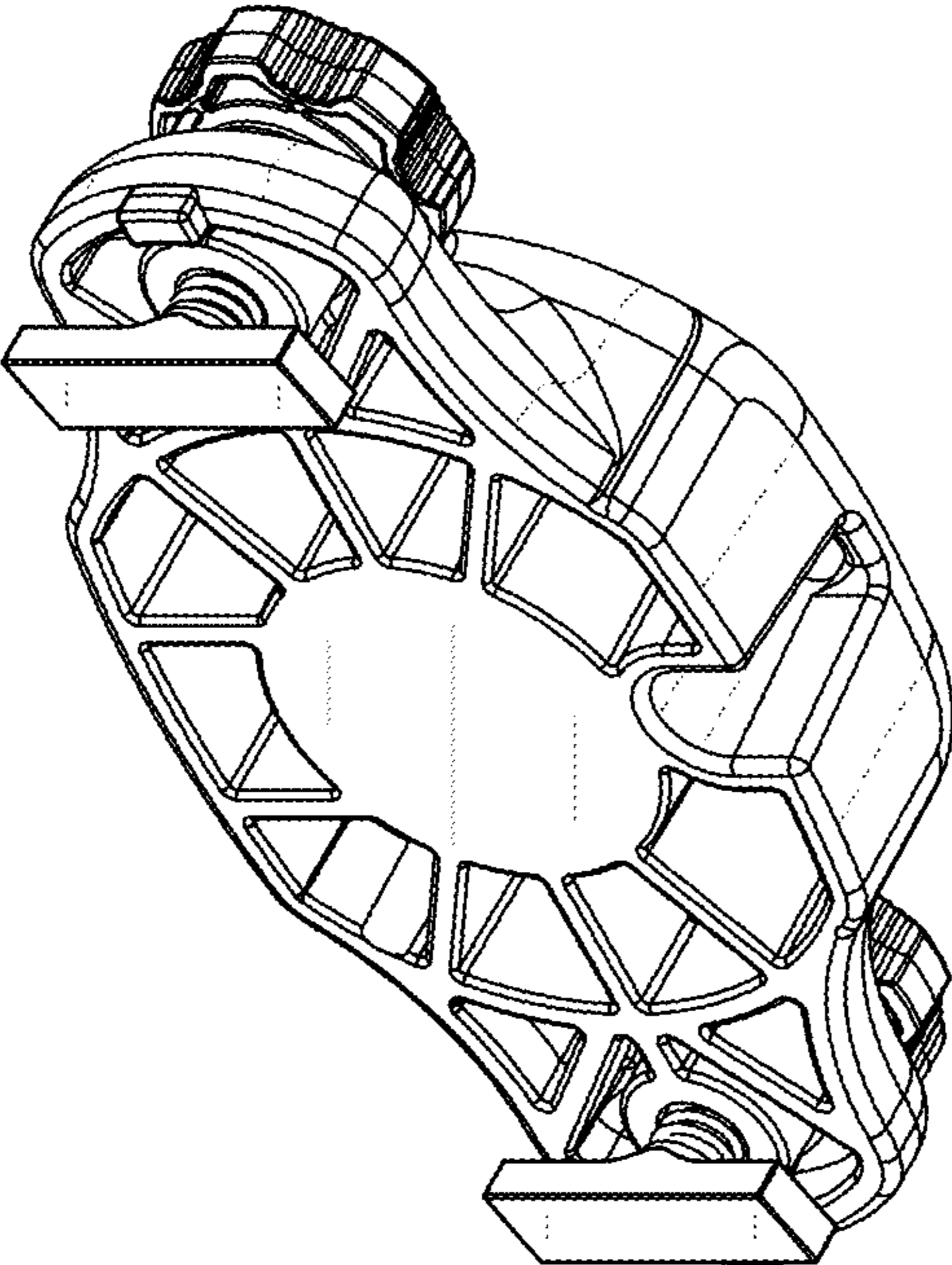


FIG. 2

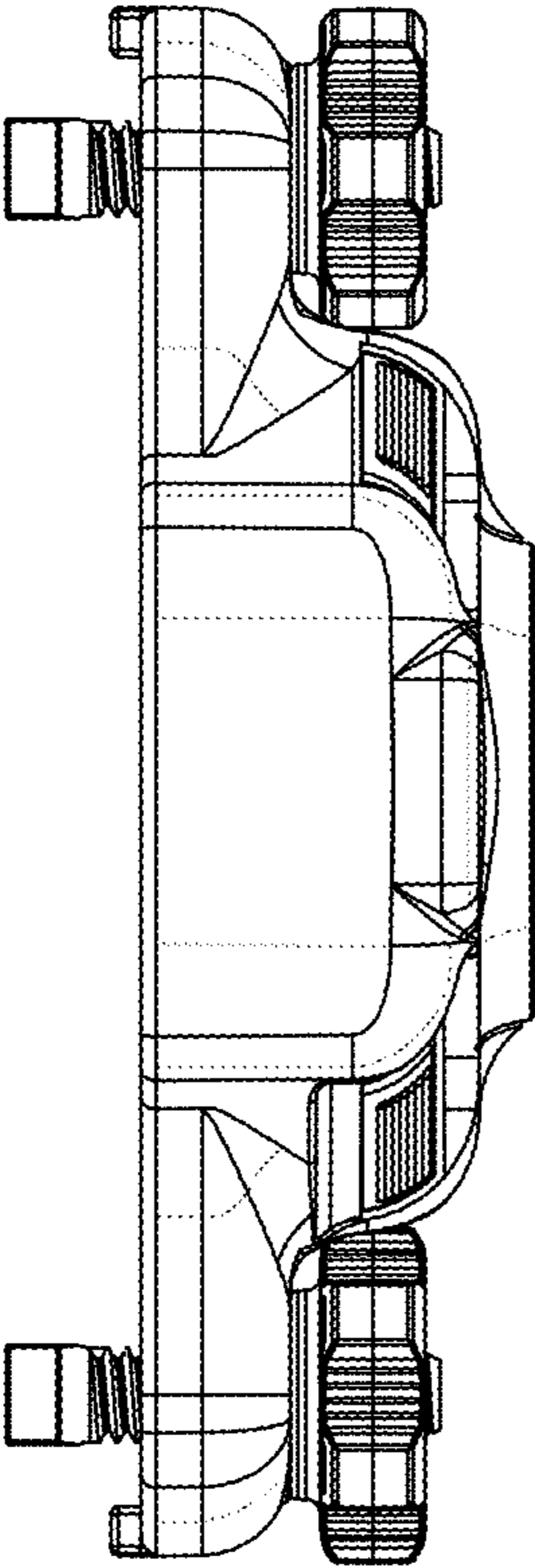


FIG. 3

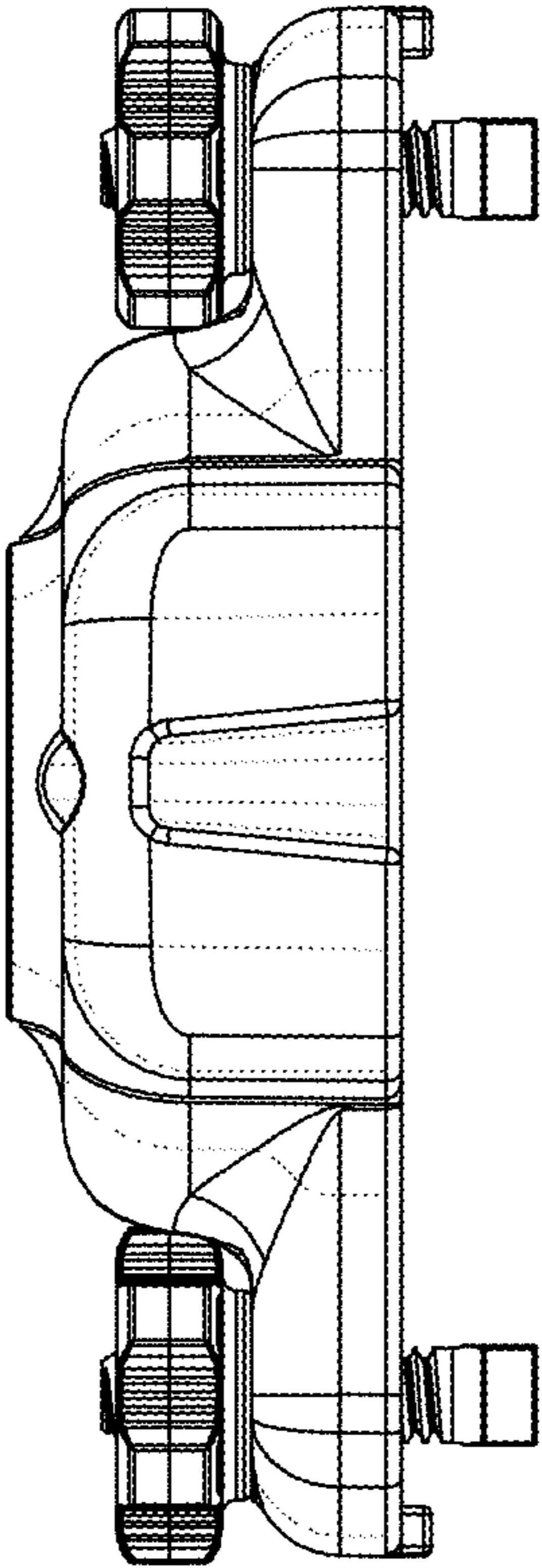


FIG. 4

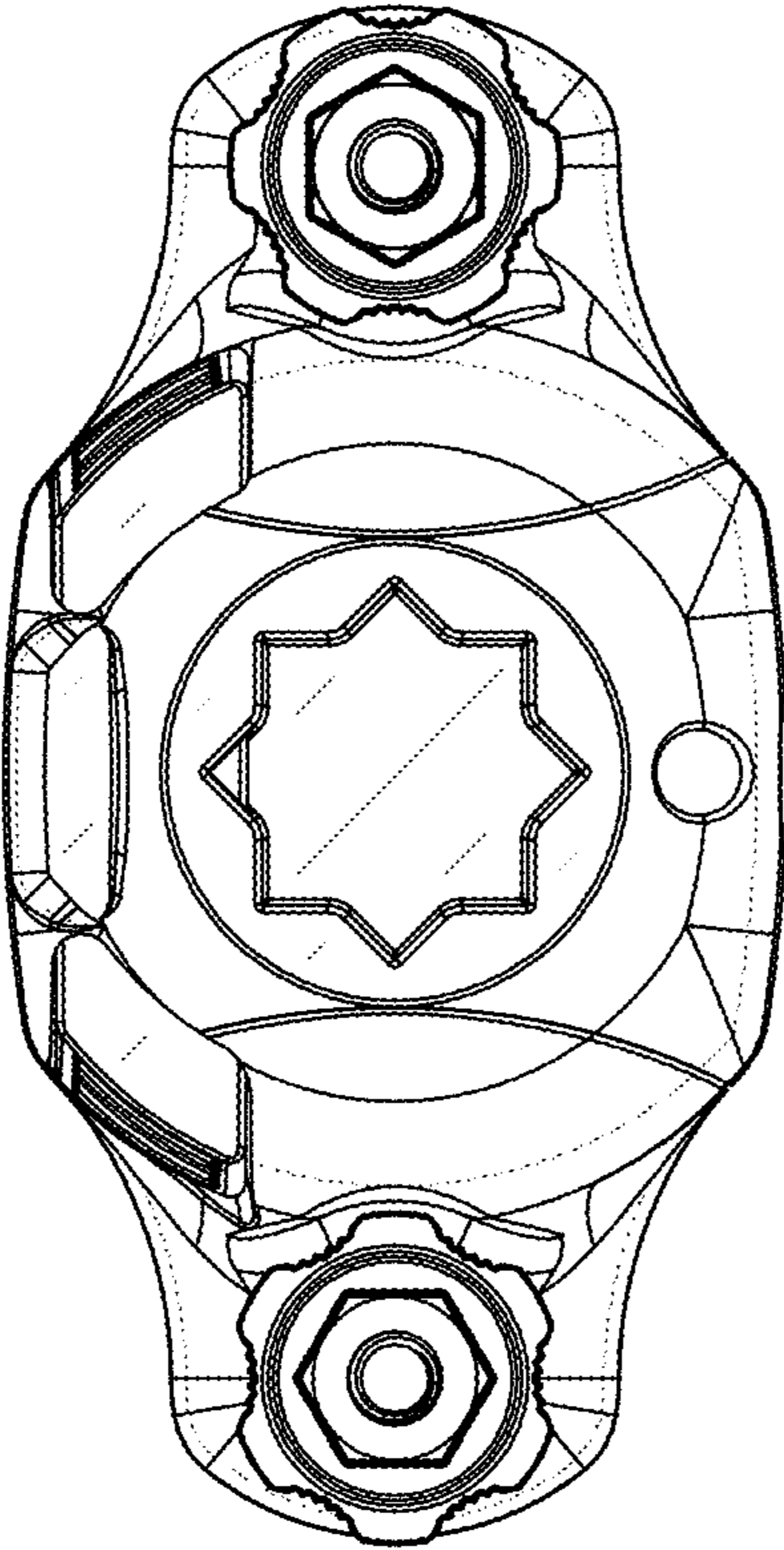


FIG. 5

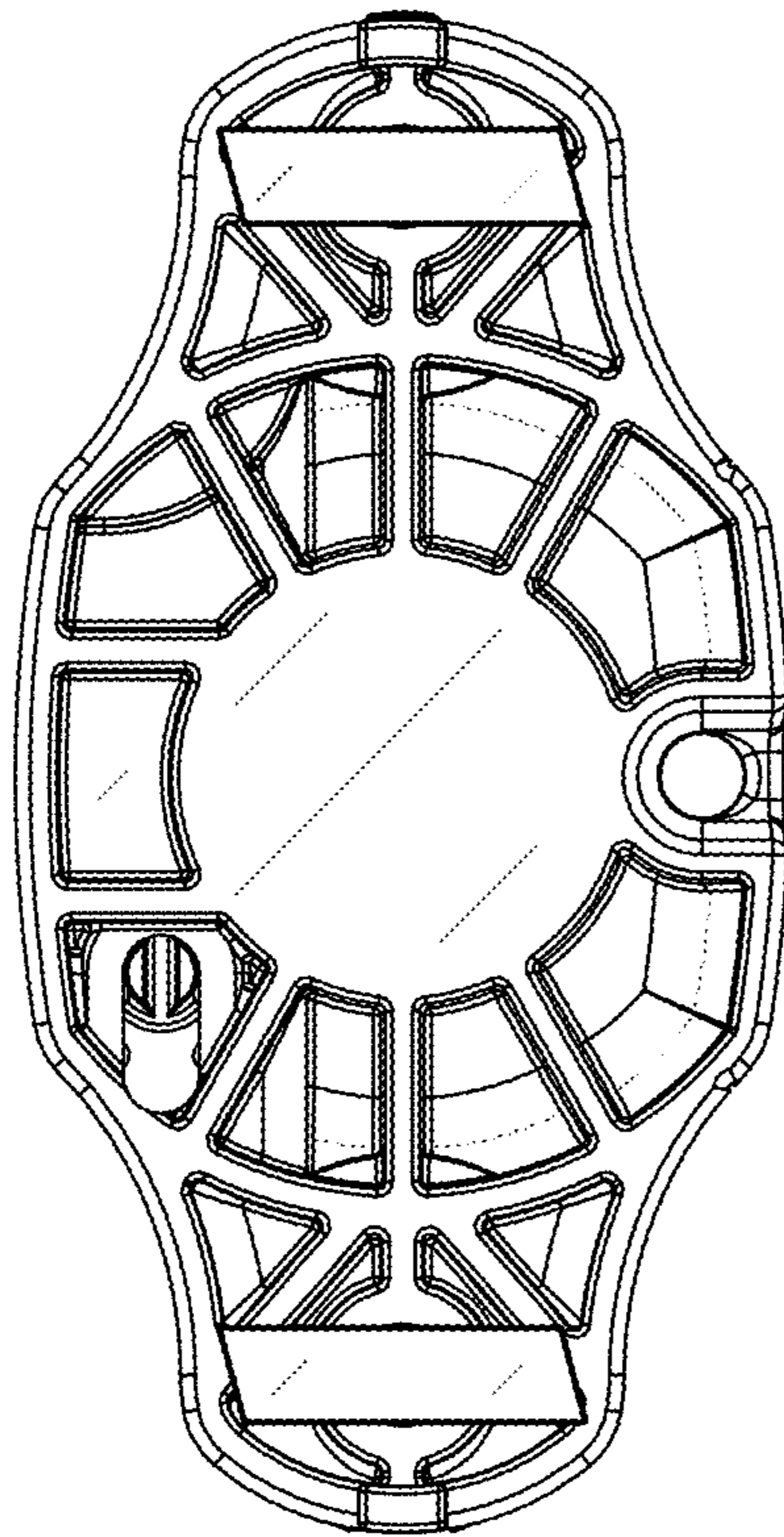


FIG. 6

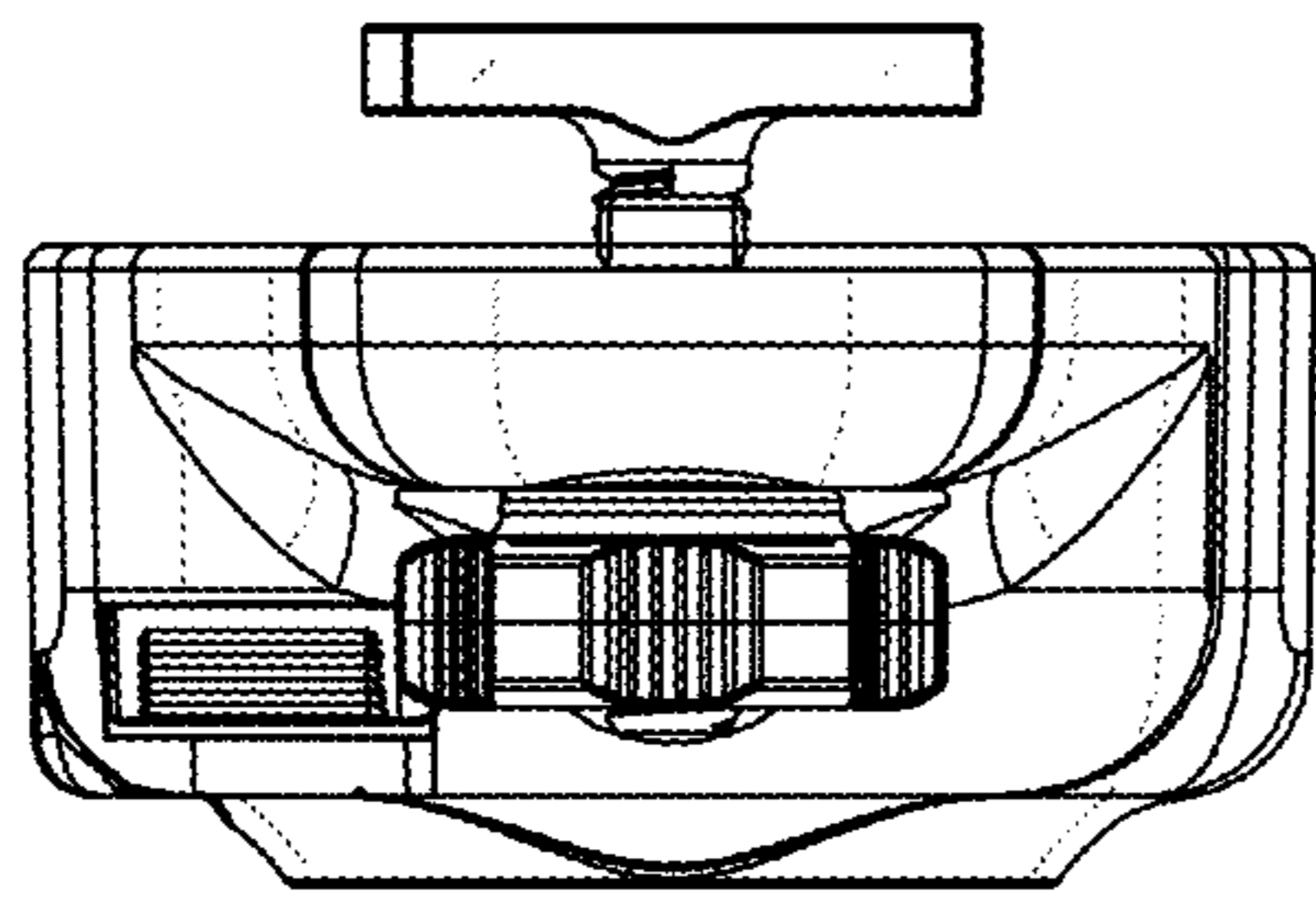


FIG. 7

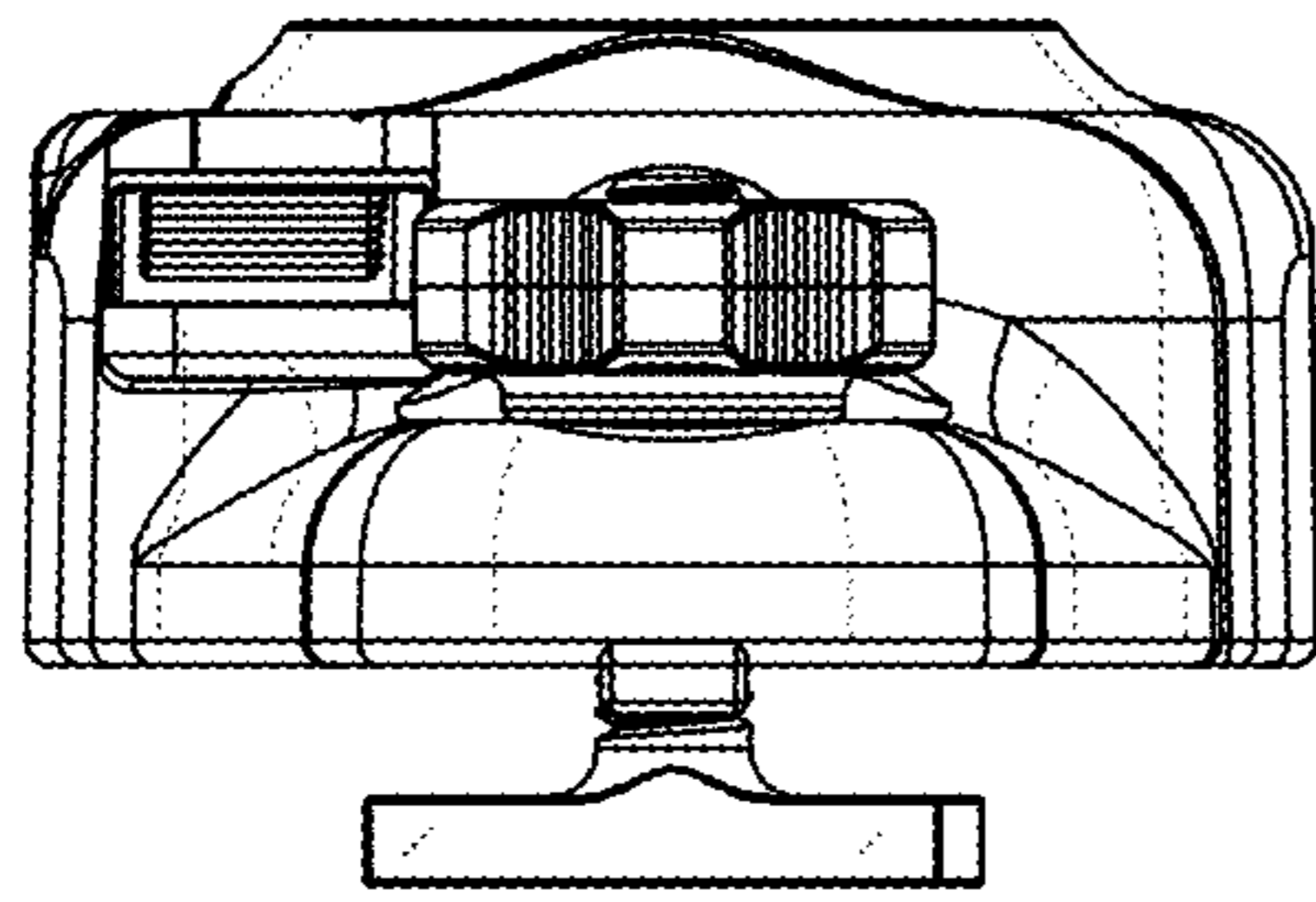


FIG. 8