



US00D965410S

(12) **United States Design Patent** (10) **Patent No.:** **US D965,410 S**
Li (45) **Date of Patent:** **** Oct. 4, 2022**

(54) **FINGERPRINT LOCK**

(71) Applicant: **Jiangmen Pengjiang MTT Gloria Trading Co., Ltd., Jiangmen (CN)**

(72) Inventor: **Ziyun Li, Jiangmen (CN)**

(**) Term: **15 Years**

(21) Appl. No.: **29/798,666**

(22) Filed: **Jul. 9, 2021**

(51) **LOC (13) Cl.** **08-07**

(52) **U.S. Cl.**
USPC **D8/338; D8/308**

(58) **Field of Classification Search**
USPC D8/300, 308, 330, 331, 336, 338;
D99/28, 34, 43
CPC E05B 1/003; E05B 1/0053; E05B 3/00;
E05B 3/003; E05B 2003/006; E05B 7/00;
E05B 13/00; E05B 15/0086; Y10T
70/5093; Y10T 70/5155; Y10T 70/5221;
Y10T 70/569; Y10T 70/5075
See application file for complete search history.

(56) **References Cited**

U.S. PATENT DOCUMENTS

2,267,939	A *	12/1941	McKenzie	E05B 1/003 292/357
4,453,753	A *	6/1984	Fayerman	E05B 65/104 292/357
5,364,139	A *	11/1994	Bergen	E05C 1/163 292/358
D527,608	S *	9/2006	Antkowiak	D8/302
D529,783	S *	10/2006	Corcino	D8/308
D534,784	S *	1/2007	Veltz	D8/308
D549,545	S *	8/2007	Schneider	D8/308
D551,057	S *	9/2007	Min	D8/330
D553,949	S *	10/2007	Luo	D8/338
D554,196	S *	10/2007	Luo	D8/338
D554,971	S *	11/2007	Flory	B25G 1/04 D8/308

D558,026	S *	12/2007	Luo	D8/338
D578,374	S *	10/2008	Kim	D8/302
D585,721	S *	2/2009	Le	D8/308
7,819,443	B2 *	10/2010	Ryan	E05B 63/06 70/210
D630,490	S *	1/2011	Lundstrom	D8/300
7,984,631	B2 *	7/2011	Case	E05B 15/02 D8/352
D650,259	S *	12/2011	Garancz	D8/308

(Continued)

OTHER PUBLICATIONS

Rulart Fingerprint Electric Smart Door Lock, Biometric Keyless Entry Door Handle, Safe, sears.com, <https://www.sears.com/rulart-fingerprint-electric-smart-door-lock-biometric-keyless/p-A093129843> (Year: 2022).*

(Continued)

Primary Examiner — Steven J Czyz

(74) *Attorney, Agent, or Firm* — Rumit Ranjit Kanakia

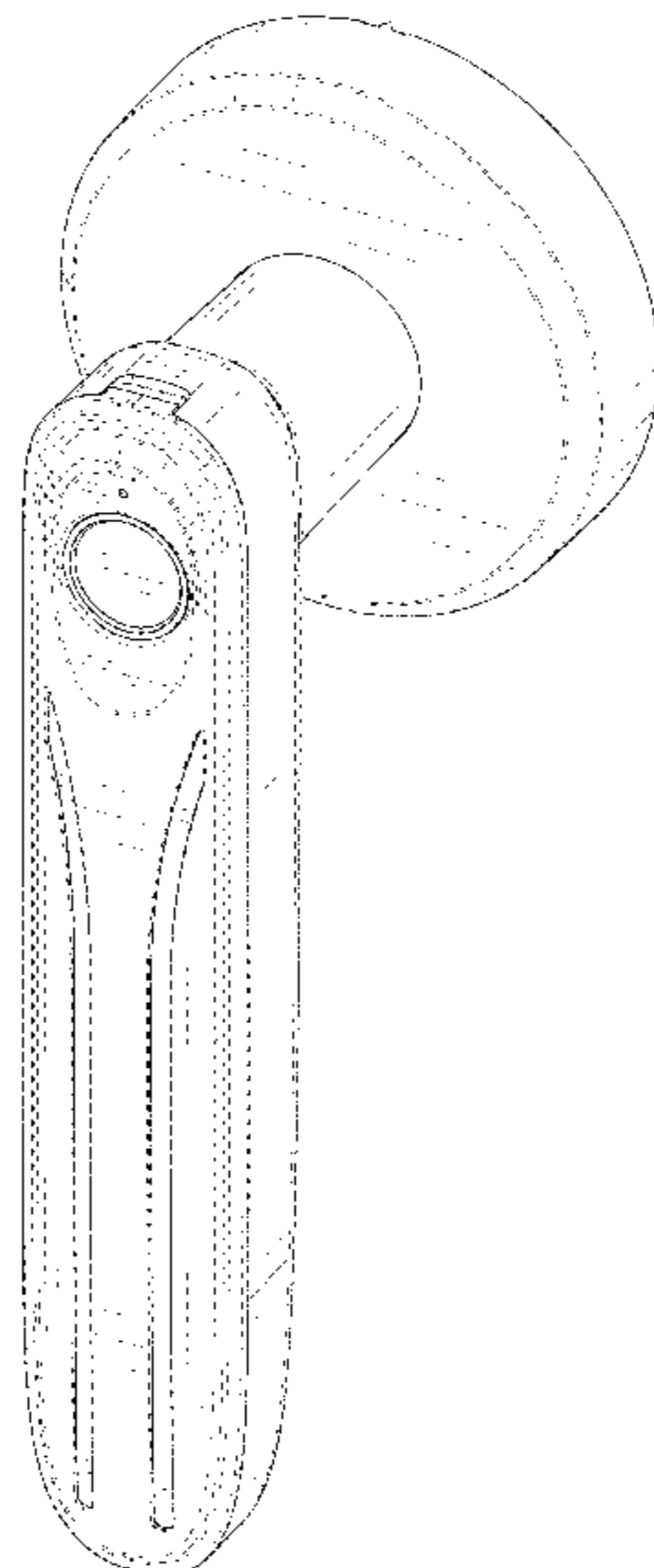
(57) **CLAIM**

The ornamental design for a fingerprint lock, as shown and described.

DESCRIPTION

FIG. 1 is a front elevational view of a fingerprint lock showing my new design;
FIG. 2 is a rear elevational view thereof; and
FIG. 3 is a left side view thereof;
FIG. 4 is a right side view thereof;
FIG. 5 is a top plan view thereof;
FIG. 6 is a bottom plan view thereof;
FIG. 7 is a perspective view of a fingerprint lock showing my new design; and,
FIG. 8 is another perspective view thereof.
The broken lines in the figures are for the purposes of illustrating portions of the fingerprint lock, which form no part of the claimed design.

1 Claim, 8 Drawing Sheets



(56)

References Cited

U.S. PATENT DOCUMENTS

D691,450 S * 10/2013 Weathersby D8/301
D704,027 S * 5/2014 Trunek B25G 1/04
D740,642 S * 10/2015 Carlsson D8/301
D746,659 S * 1/2016 Stevens E05C 1/16
D746,660 S * 1/2016 Stevens D8/334
9,447,610 B2 * 9/2016 Ou E05C 1/16
D781,131 S * 3/2017 Nguyen E05C 1/16
D789,765 S * 6/2017 Wang D8/308
D823,663 S * 7/2018 Ronge D8/334
D830,810 S * 10/2018 Harlander D8/308
D843,195 S * 3/2019 Ronge D8/308
D860,760 S * 9/2019 Wang E05B 1/003
D866,288 S * 11/2019 Roberts, III D8/308
D869,931 S * 12/2019 Dulley D8/308
D876,924 S * 3/2020 Xie D8/331
D888,535 S * 6/2020 Lassiter D8/331
D902,690 S * 11/2020 Zheng D8/333
10,844,633 B2 * 11/2020 Qiu E05B 15/02
D911,148 S * 2/2021 Yi D8/330
D911,812 S * 3/2021 Moyer D8/330
D915,863 S * 4/2021 Ronge D8/308

D931,081 S * 9/2021 Kong G07C 9/00174
D931,703 S * 9/2021 Ingels D8/308
D944,250 S * 2/2022 Lavalley D8/308
D944,620 S * 3/2022 Singtoroj D8/308
D947,645 S * 4/2022 Noon D8/308
D948,307 S * 4/2022 Minale D8/308
D948,310 S * 4/2022 Rui D8/334
D950,353 S * 5/2022 Dai D8/302
D957,231 S * 7/2022 Dai E05B 9/02
D958,632 S * 7/2022 Fisher D8/308
2012/0019013 A1 * 1/2012 Bunker, II E05C 1/16
2021/0238882 A1 * 8/2021 Boyd E05B 13/101
2022/0010595 A1 * 1/2022 Romero E05B 13/004
2022/0064990 A1 * 3/2022 Huang E05B 1/0038
2022/0081932 A1 * 3/2022 Varadaraju E05B 15/0033

OTHER PUBLICATIONS

Geek Smart Fingerprint Door Lock, amazon.com, <https://www.amazon.com/Geek-Smart-Fingerprint-Door-Lock/dp/B08TMBL7FW?th=1> (Year: 2021).*
Homegician Smart Door Lock, amazon.com, <https://www.amazon.com/Fingerprint-Keyless-Security-Bedroom-Apartment/dp/B094VST1KG> (Year: 2021).*

* cited by examiner

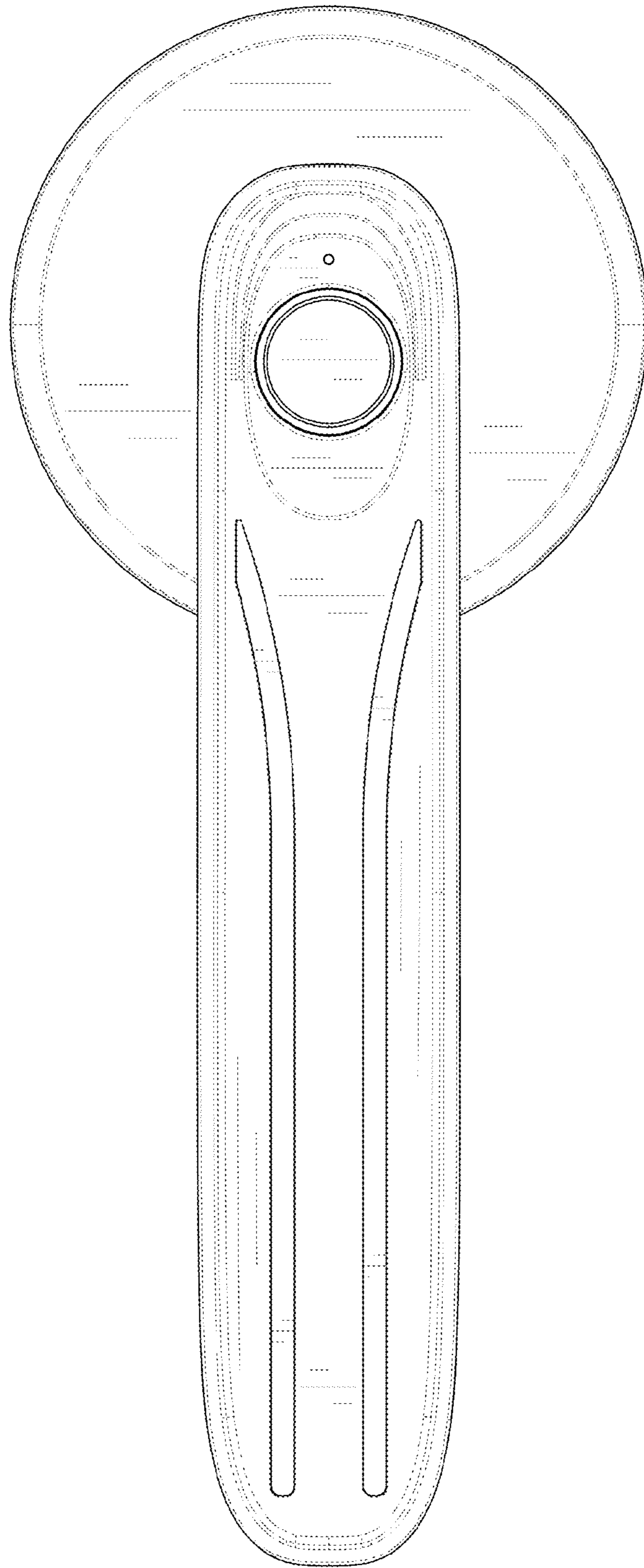


FIG. 1

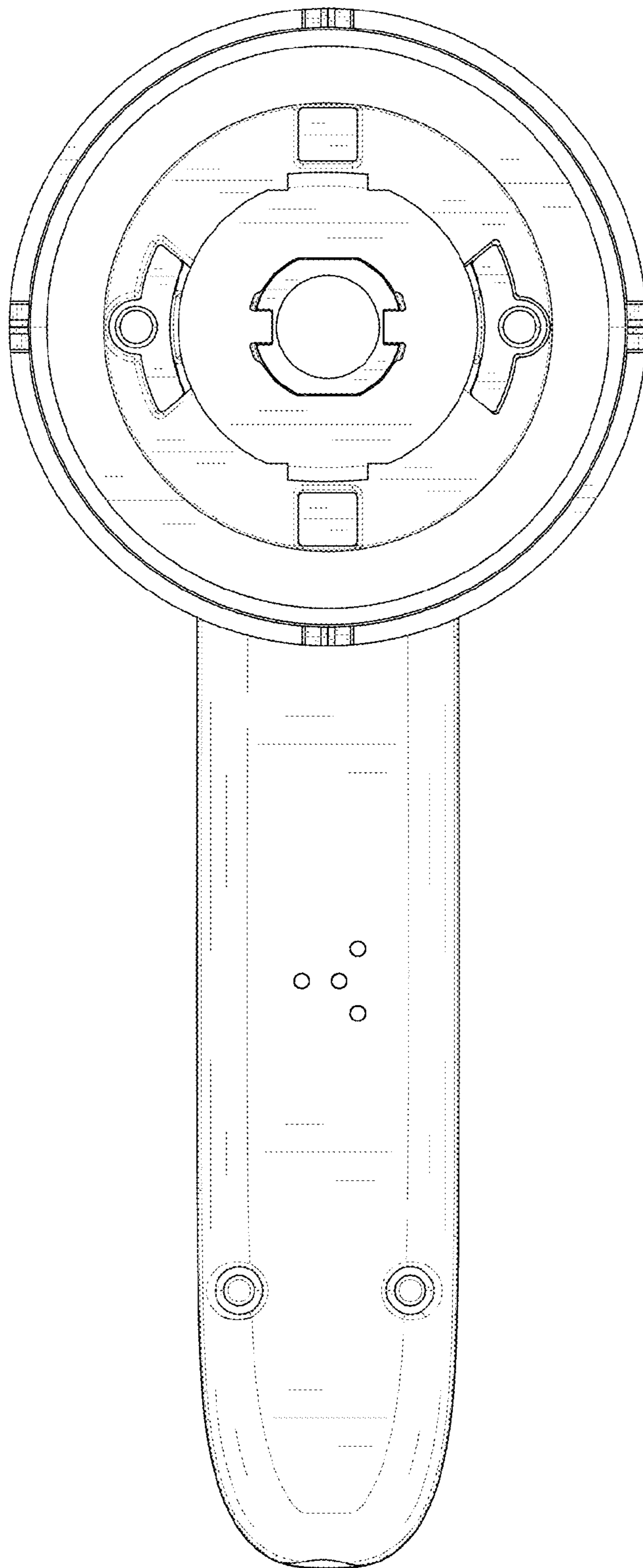


FIG. 2

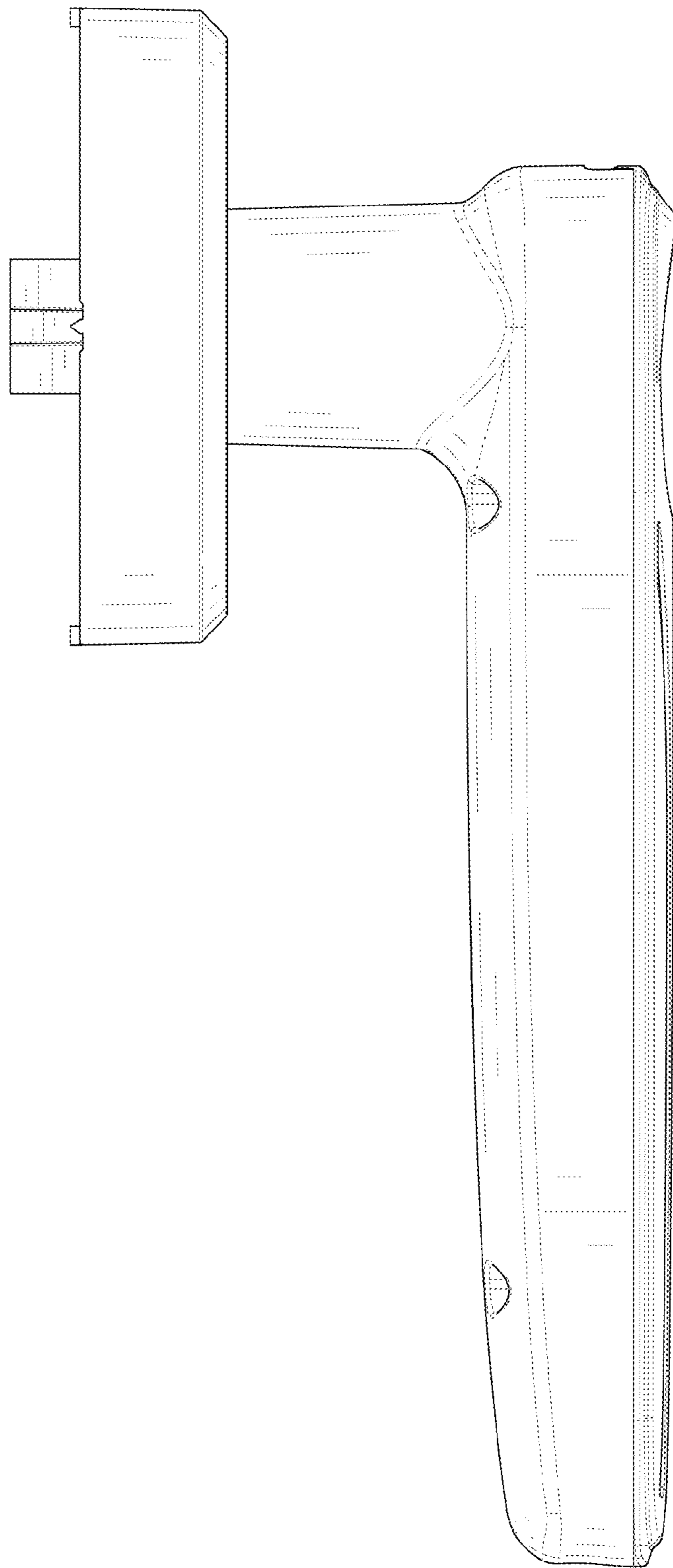


FIG. 3

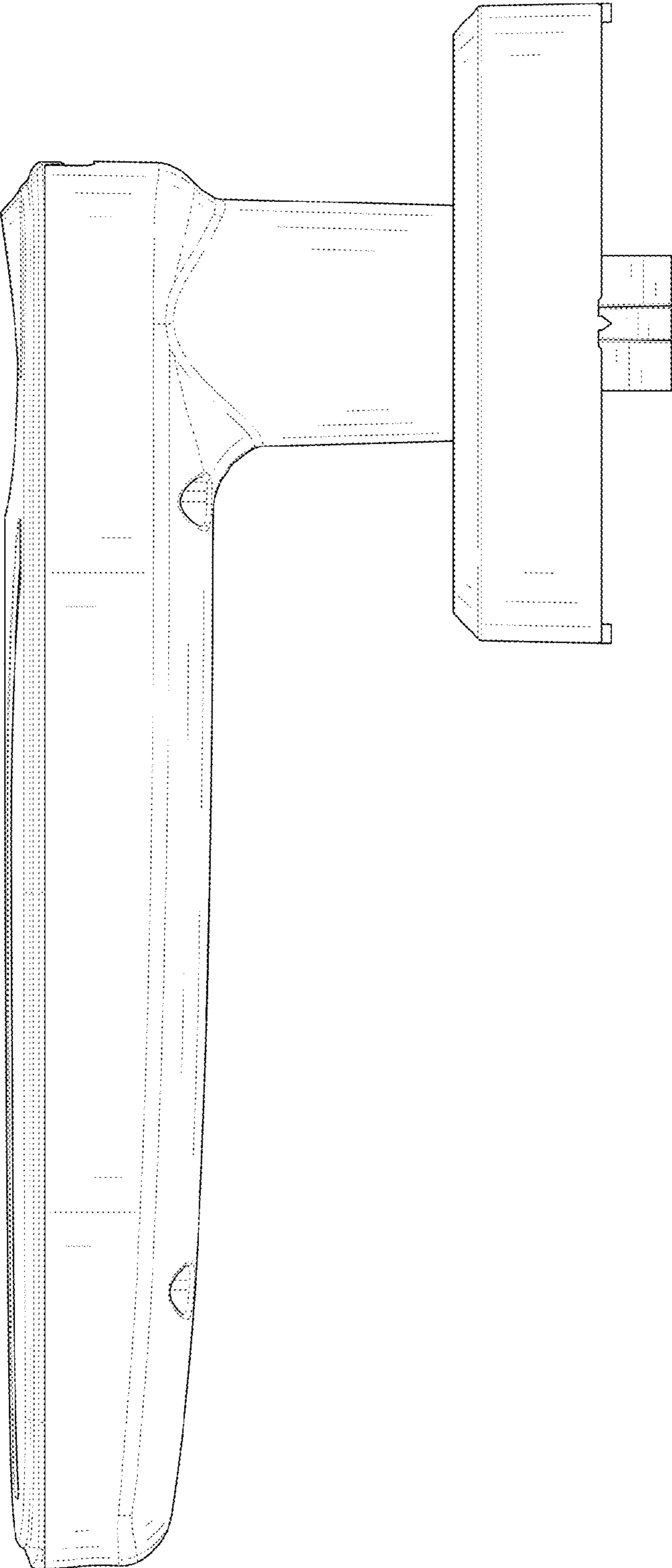


FIG. 4

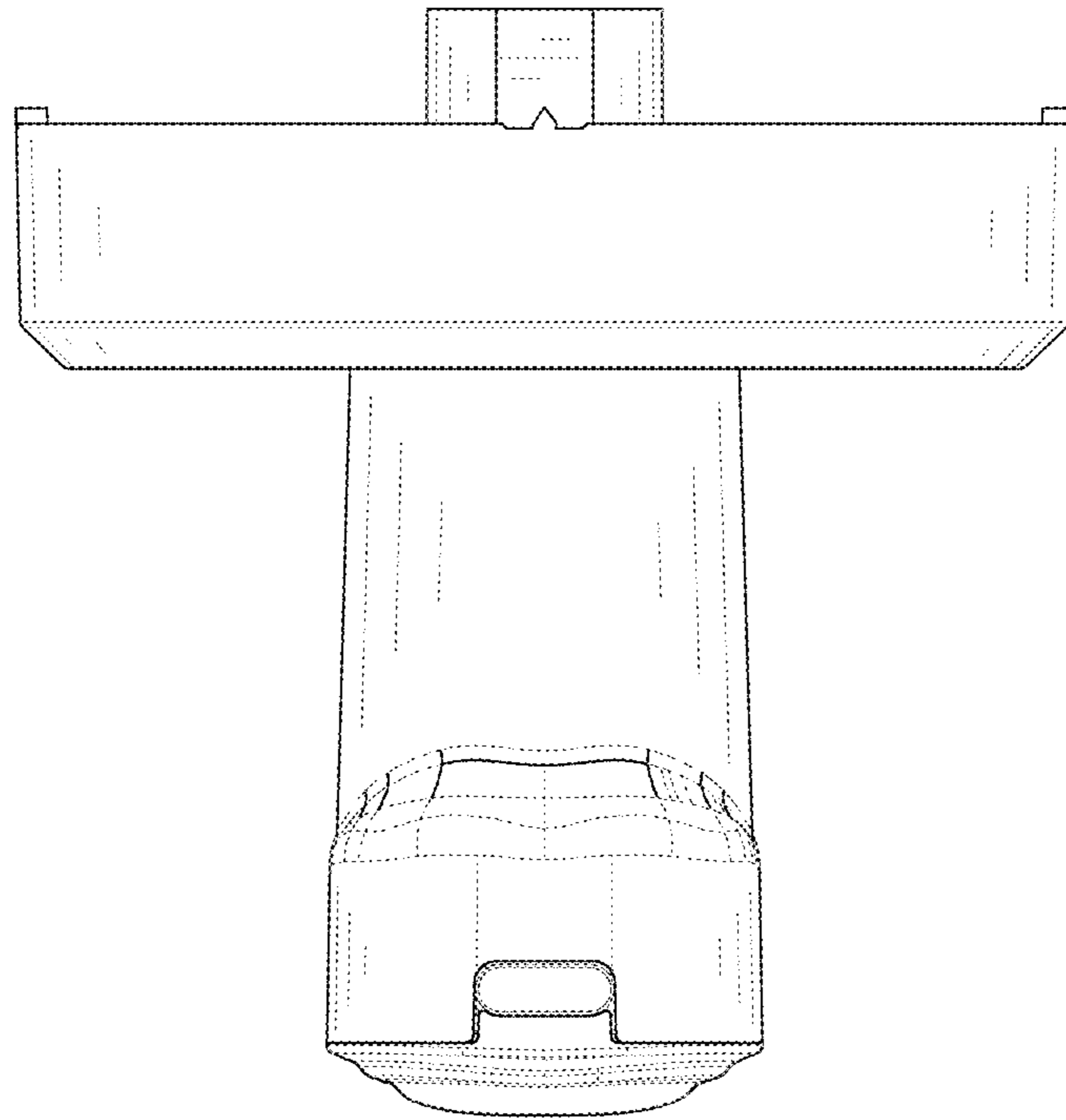


FIG. 5

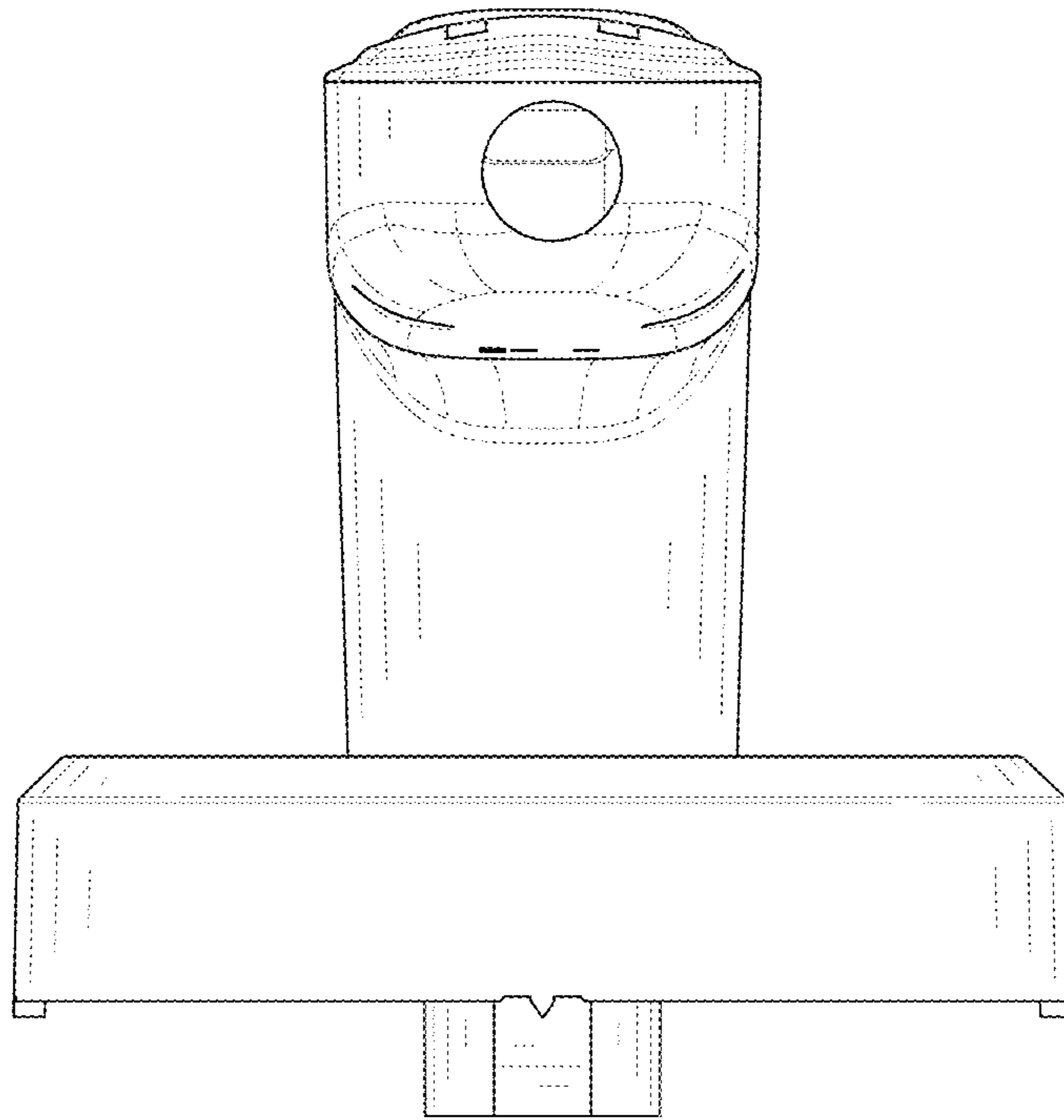


FIG. 6

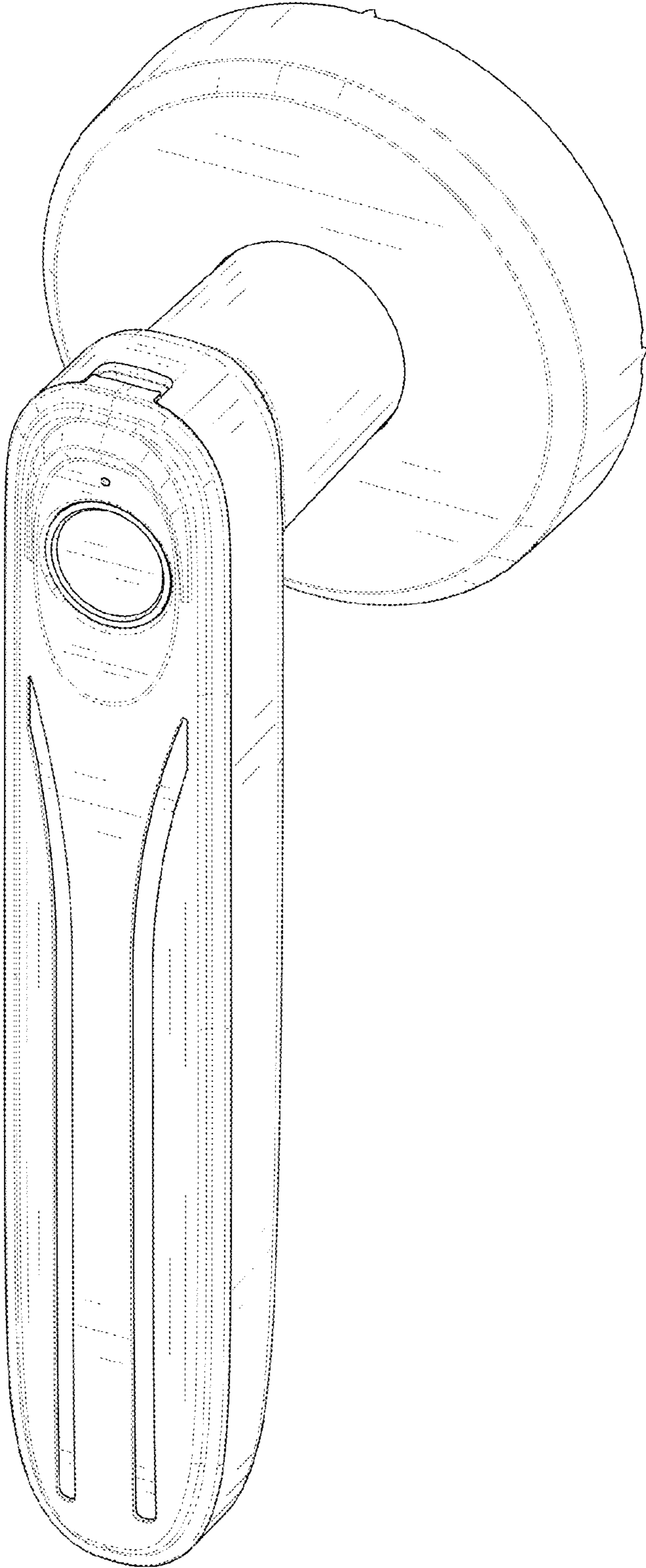


FIG. 7

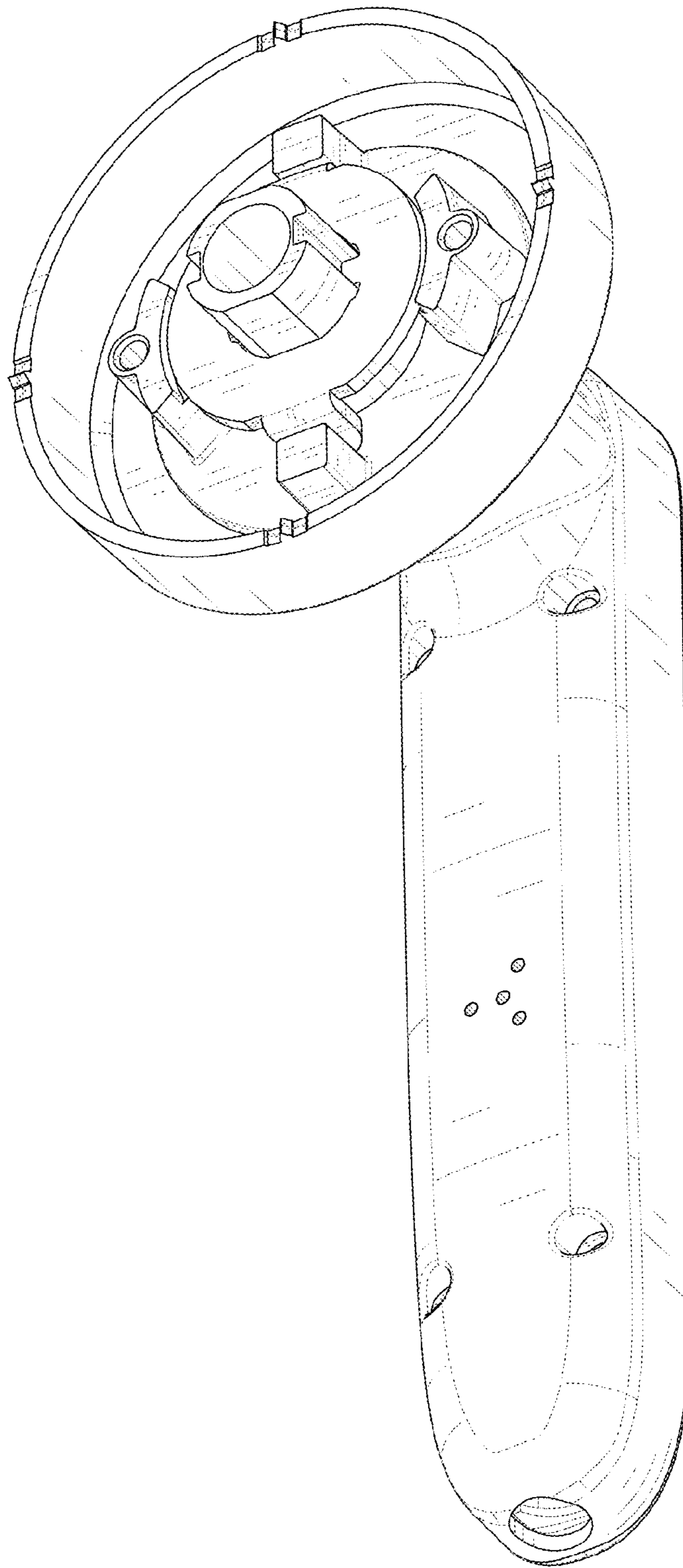


FIG. 8