



US00D965407S

(12) **United States Design Patent** (10) **Patent No.:** **US D965,407 S**
Snodgrass et al. (45) **Date of Patent:** **** Oct. 4, 2022**

- (54) **KNOB**
- (71) Applicant: **dormakaba USA Inc.**, Indianapolis, IN (US)
- (72) Inventors: **John Andrew Snodgrass**, Plainwell, IN (US); **Michael Hans Viklund**, Indianapolis, IN (US); **Brendon Allen**, Upland, CA (US)
- (73) Assignee: **dormakaba USA Inc.**, Indianapolis, IN (US)
- (**) Term: **15 Years**
- (21) Appl. No.: **29/790,216**
- (22) Filed: **Nov. 11, 2021**

Related U.S. Application Data

- (60) Continuation of application No. 29/739,937, filed on Jun. 30, 2020, now Pat. No. Des. 937,655, which is a (Continued)
- (51) **LOC (13) Cl.** **08-06**
- (52) **U.S. Cl.**
USPC **D8/311**; D8/321
- (58) **Field of Classification Search**
USPC D8/107, 300, 301, 307, 310, 311, 312, D8/321, 330, 331, 341, 342, 343; D23/250, 421; D7/393, 394, 396, 406, D7/543, 545, 547, 548
CPC ... Y10T 292/57; Y10T 292/82; Y10T 16/469; Y10T 16/44; Y10T 16/476; Y10T 74/2084; Y10T 292/85; Y10T 74/2087; Y10T 16/4713; Y10T 16/506; Y10T 74/20876; Y10T 74/20612; Y10T 70/5765; Y10T

(Continued)

(56) **References Cited**

U.S. PATENT DOCUMENTS

D142,777 S	11/1945	Eastham
3,347,072 A	10/1967	Rose

(Continued)

FOREIGN PATENT DOCUMENTS

DE	29703559 U1	4/1997
DE	19612156 C2	7/1998

(Continued)

OTHER PUBLICATIONS

Amazon. "August Smart Lock 2nd Generation—Dark Grey, Works with Alexa" Retrieved Mar. 14, 2019 from <https://www.amazon.com/August-Smart-Lock-2nd-Generation>. 10 pages.

(Continued)

Primary Examiner — Lauren R Calve

(74) *Attorney, Agent, or Firm* — Faegre Drinker Biddle & Reath LLP

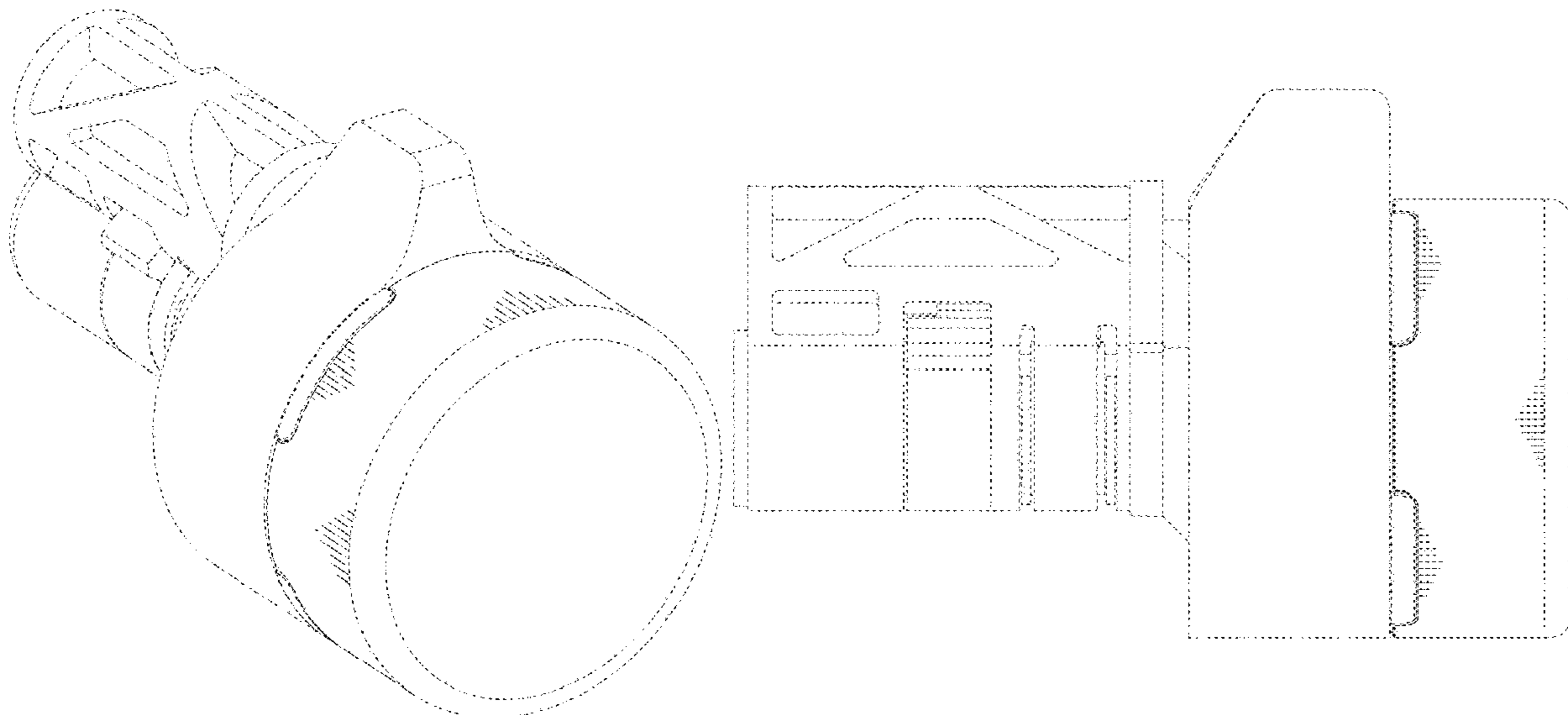
(57) **CLAIM**

The ornamental design for a knob, as shown and described.

DESCRIPTION

FIG. 1 is a front perspective view of a knob in accordance with the present disclosure;
 FIG. 2 is a rear perspective view of the knob of FIG. 1;
 FIG. 3 is a left side elevational view of the knob of FIG. 1;
 FIG. 4 is a right side elevational view of the knob of FIG. 1;
 FIG. 5 is a front elevational view of the knob of FIG. 1;
 FIG. 6 is a rear elevational view of the knob of FIG. 1;
 FIG. 7 is a top plan view of the knob of FIG. 1; and,
 FIG. 8 is a bottom plan view of the knob of FIG. 1.
 Features shown in broken lines form no part of the claimed design.

1 Claim, 7 Drawing Sheets



Related U.S. Application Data

division of application No. 29/686,585, filed on Apr. 5, 2019, now Pat. No. Des. 891,901.

- (58) **Field of Classification Search**
 CPC . 16/459; Y10T 74/2066; Y10T 16/487; Y10T 74/20822
 See application file for complete search history.

- (56) **References Cited**

U.S. PATENT DOCUMENTS

4,526,256	A	7/1985	Urdal	
D284,064	S	6/1986	Poissant	
4,745,785	A	5/1988	Uebersax	
4,876,783	A	10/1989	Campion et al.	
4,972,694	A	11/1990	Aulbers et al.	
5,010,753	A	4/1991	Boris, Jr.	
5,235,832	A	8/1993	Lux et al.	
5,507,162	A	4/1996	Chhatwal	
5,816,085	A	10/1998	Winardi et al.	
5,839,305	A	11/1998	Aston	
5,933,086	A	8/1999	Tischendorf et al.	
6,158,259	A	12/2000	Schmitz et al.	
D438,447	S	3/2001	Gartner	
6,264,256	B1	7/2001	Hankel et al.	
6,474,122	B2	11/2002	Davis	
D467,489	S	12/2002	Rubinson	
D482,596	S	11/2003	Laabs et al.	
D482,951	S	12/2003	Ling	
6,840,072	B2	1/2005	Russell et al.	
6,865,916	B2	3/2005	Goldman	
D525,517	S	7/2006	Baldwin	
7,222,508	B2 *	5/2007	Dickhans E05B 47/0673 70/279.1	
7,285,738	B2 *	10/2007	Lavigne H01H 3/08 200/18	
D571,186	S	6/2008	Veltz	
7,381,128	B2	6/2008	Ogawa et al.	
D577,301	S *	9/2008	Johnson D10/106.1	
7,428,834	B1	9/2008	Lee	
7,462,795	B2	12/2008	Montalvo	
7,845,202	B2	12/2010	Padilla et al.	
7,874,190	B2	1/2011	Krisch et al.	
8,028,553	B2	10/2011	Lange	
D650,275	S *	12/2011	Dunwoody D9/435	
D700,038	S	2/2014	Linares	
D727,769	S	4/2015	Scalisi	
D729,678	S	5/2015	Scalisi	
9,206,620	B2	12/2015	Karsil et al.	
9,222,282	B2	12/2015	Russo et al.	
D747,175	S	1/2016	Linares	
D747,384	S	1/2016	Scalisi	
D747,385	S	1/2016	Scalisi	
D747,640	S	1/2016	Scalisi	
D749,932	S	2/2016	Hollman	
D750,951	S	3/2016	Fuller et al.	
D751,366	S *	3/2016	Fuller D8/311	
D755,037	S	5/2016	Czerwinski et al.	
9,487,971	B2 *	11/2016	Quach E05B 47/0005	
9,500,006	B2	11/2016	Dayanikli et al.	
D781,126	S	3/2017	Pionek et al.	
9,644,402	B1	5/2017	Su	
9,916,746	B2	3/2018	Johnson et al.	
10,013,825	B2	7/2018	Belhadia et al.	
D829,528	S	10/2018	Kim et al.	
10,114,405	B2	10/2018	Swayne et al.	
D834,394	S	11/2018	Kang et al.	
10,125,519	B1	11/2018	Gengler et al.	
D842,072	S	3/2019	Nilssen	
10,401,035	B2	9/2019	Pionek et al.	
10,691,158	B2	6/2020	Livolsi	

10,702,003	B2	7/2020	Patel et al.	
D891,901	S	8/2020	Snodgrass et al.	
D905,530	S *	12/2020	Williams D8/312	
D926,018	S	7/2021	Snodgrass et al.	
D937,655	S	12/2021	Snodgrass et al.	
2003/0217574	A1	11/2003	Meis	
2004/0245080	A1	12/2004	Turner	
2008/0180211	A1	7/2008	Lien	
2008/0223093	A1	9/2008	Amir	
2010/0000750	A1	1/2010	Andel	
2010/0139337	A1	6/2010	Hung et al.	
2010/0154494	A1 *	6/2010	Sakai E05B 47/0611 70/277	
2011/0203571	A1 *	8/2011	Schnetzer C25D 5/627 205/159	
2013/0067969	A1	3/2013	Webb et al.	
2014/0013897	A1 *	1/2014	Clauss G05G 1/10 74/553	
2014/0150502	A1	6/2014	Duncan	
2015/0233142	A1	8/2015	Schweitzer et al.	
2017/0002587	A1	1/2017	Wheeler	
2017/0185099	A1	6/2017	Edinger et al.	
2017/0306652	A1	10/2017	Guo et al.	
2019/0218826	A1	7/2019	Allen et al.	
2019/0368233	A1	12/2019	Gengler et al.	
2020/0024868	A1	1/2020	Snodgrass	
2020/0141157	A1	5/2020	Miller et al.	
2020/0199911	A1	6/2020	Allen et al.	
2020/0318392	A1	10/2020	Barnett et al.	
2021/0025195	A1	1/2021	Duprez et al.	

FOREIGN PATENT DOCUMENTS

DE	29911356	U1	10/1999
DE	19854454	C2	9/2000
EP	0588209	A1	3/1994
EP	0999328	A1	5/2000
EP	1065335	A1	1/2001
EP	1079051	A1	2/2001
EP	1174572	A2	1/2002
EP	3358534	A1	8/2018
GB	2178376	A	2/1987
GB	2262770	B	3/1995
WO	2018/075605	A1	4/2018
WO	2019/051337	A1	3/2019
WO	2019/200257	A1	10/2019

OTHER PUBLICATIONS

Amazon. "Friday Labs Steel FLSS Wireless Smart Door Lock, Smart Phone Control, Bluetooth and Apple HomeKit Compatible, iPhone & Android Compatible, Steel Finish Shell & Door Plate, Single Cylinder deadbolt" Retrieved Mar. 14, 2019 from <https://www.amazon.com/Friday-Labs-FLSS-Bluetooth-Compatible>. 10 pages.

DOM Tapkey. Retrieved from: www.en.dom-group.eu/produkt/?tx_shdomproducts . . . on May 23, 2018, 6 pages.

EVVA Sicherheitstechnologie GmbH. Retrieved from: www.asmag.com/suppliers/productcontent.aspx?co=evva&id=32658 on Mar. 6, 2020, 4 pages.

SALTO GEO Cylinder—the next generation of electronic cylinder lock. SALTO Systems 2013, 6 pages.

Simply smart: new AirKey features now available. Retrieved from: www.evva.com/int-en/aboutus/news/detailpages/simply-smart-new-airkey-features-now-available/ on May 25, 2020. 3 pages.

Top 10 access control locks of 2016. Retrieved from: www.asmag.com/showpost/22173.aspx on May 25, 2020, 8 pages.

Touch-to-Open smart lock. Retrieved from: www.kwikset.com/kevo/default on May 18, 2017, 2 pages.

U.S. Appl. No. 29/686,585, filed Apr. 5, 2019.

* cited by examiner

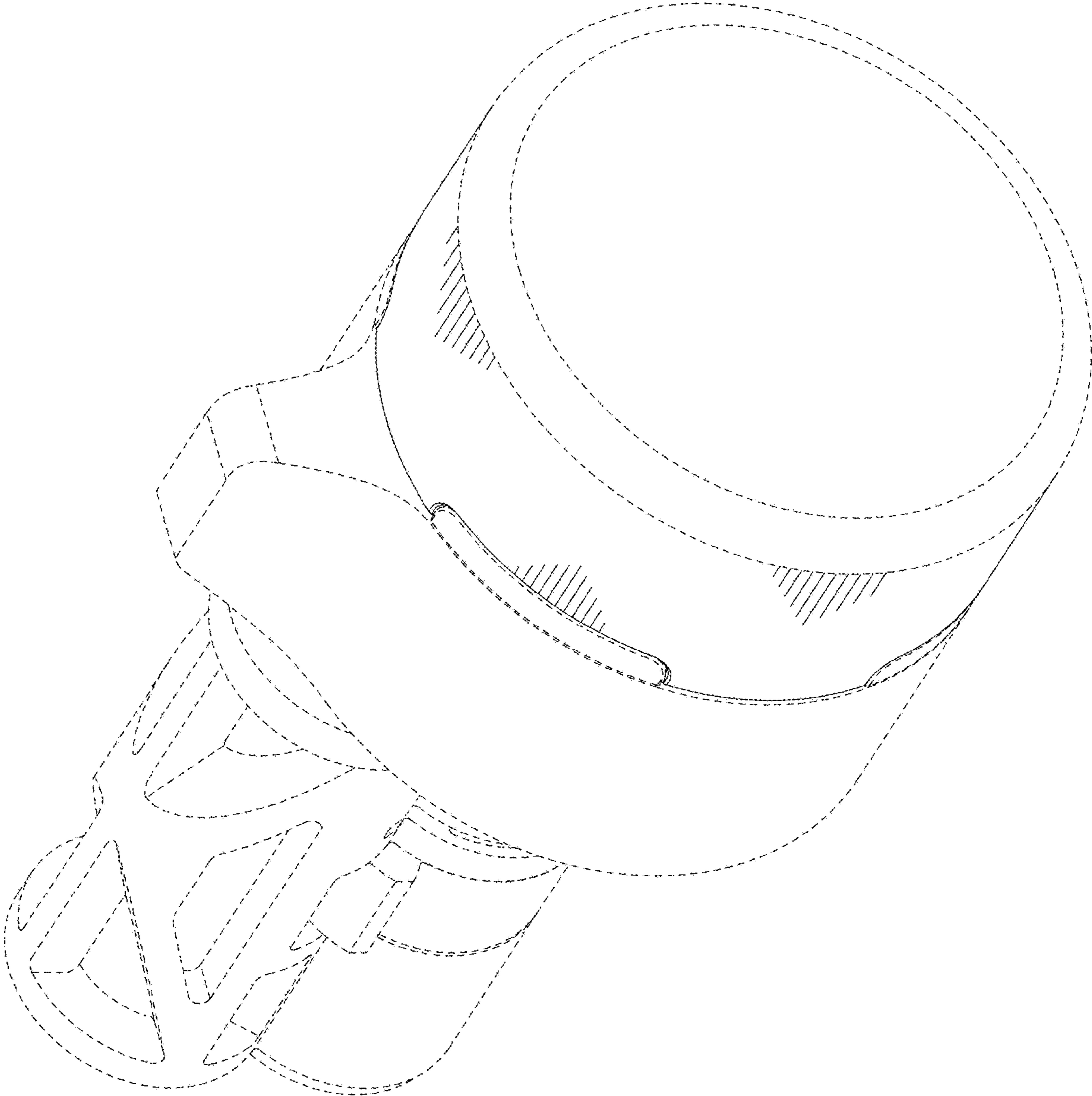


Fig. 1

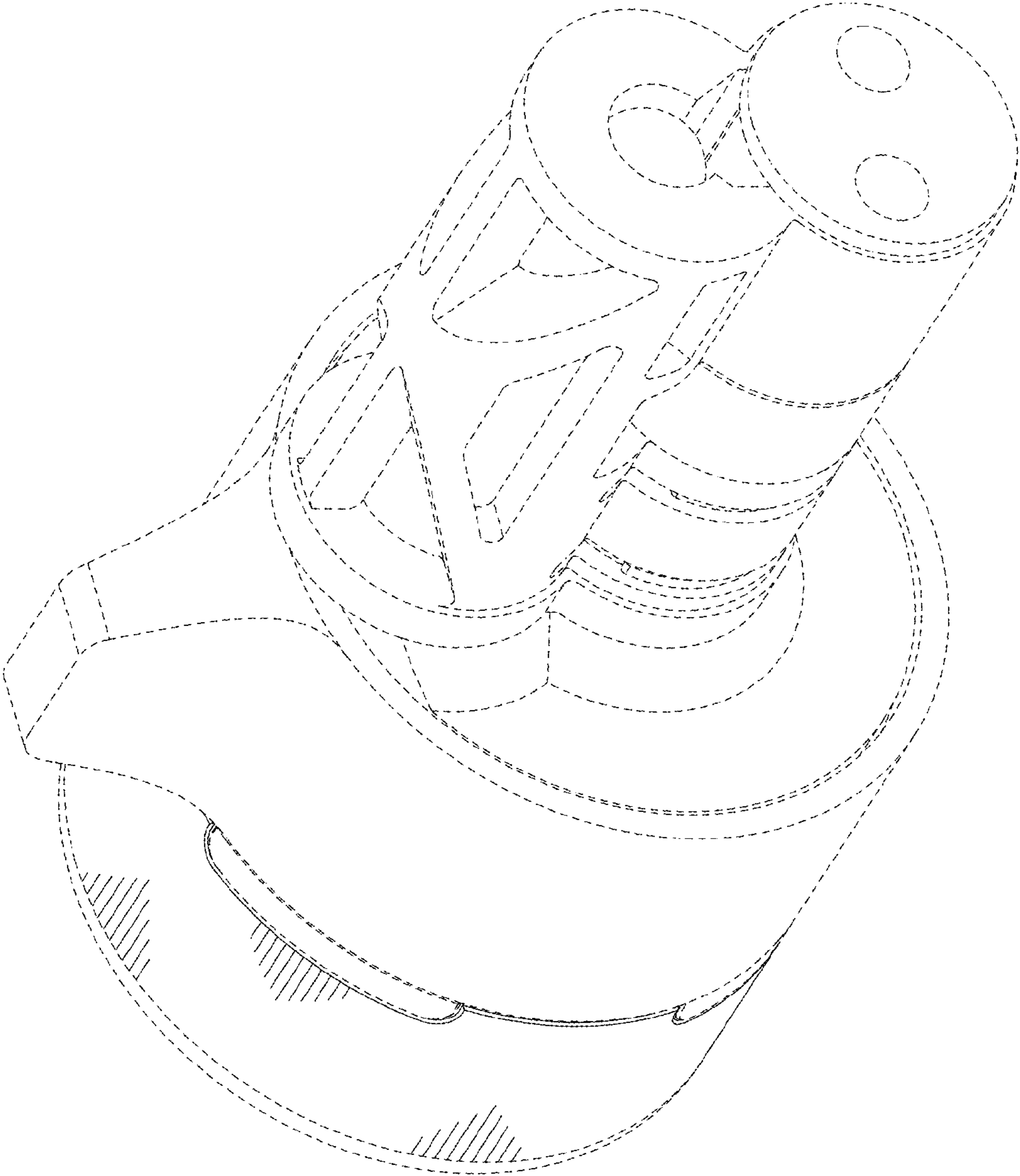


Fig. 2

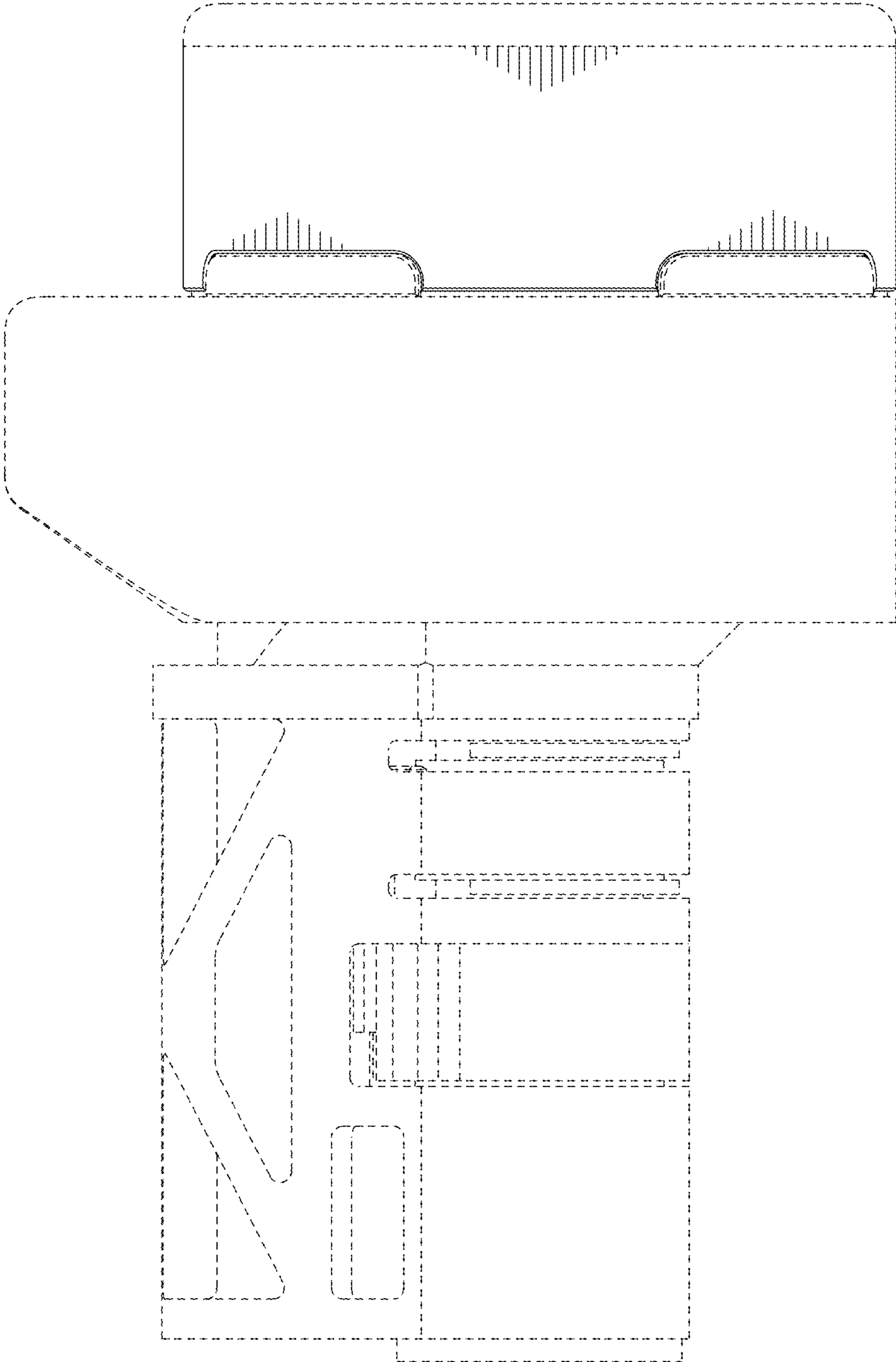


Fig. 3

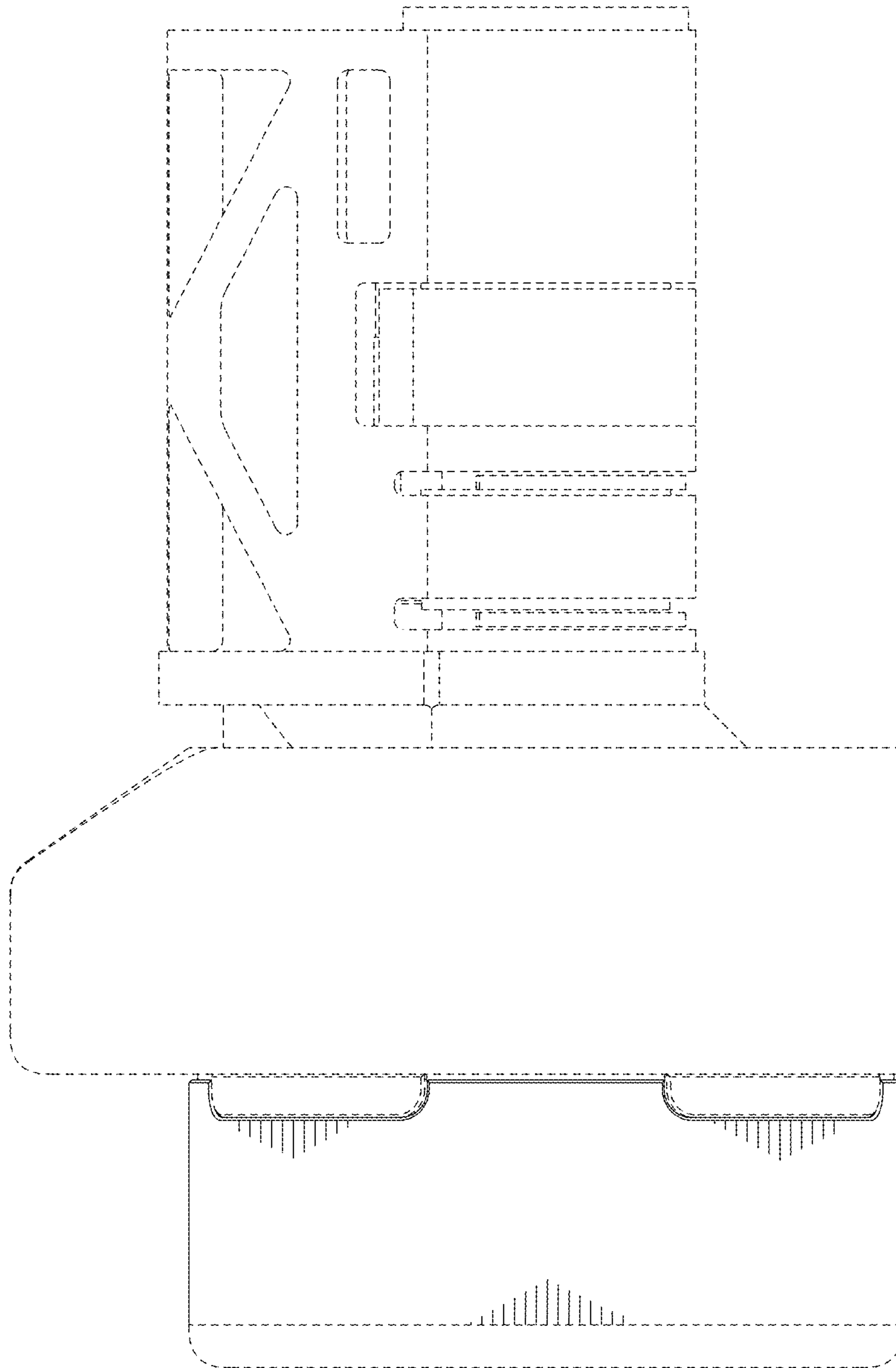


Fig. 4

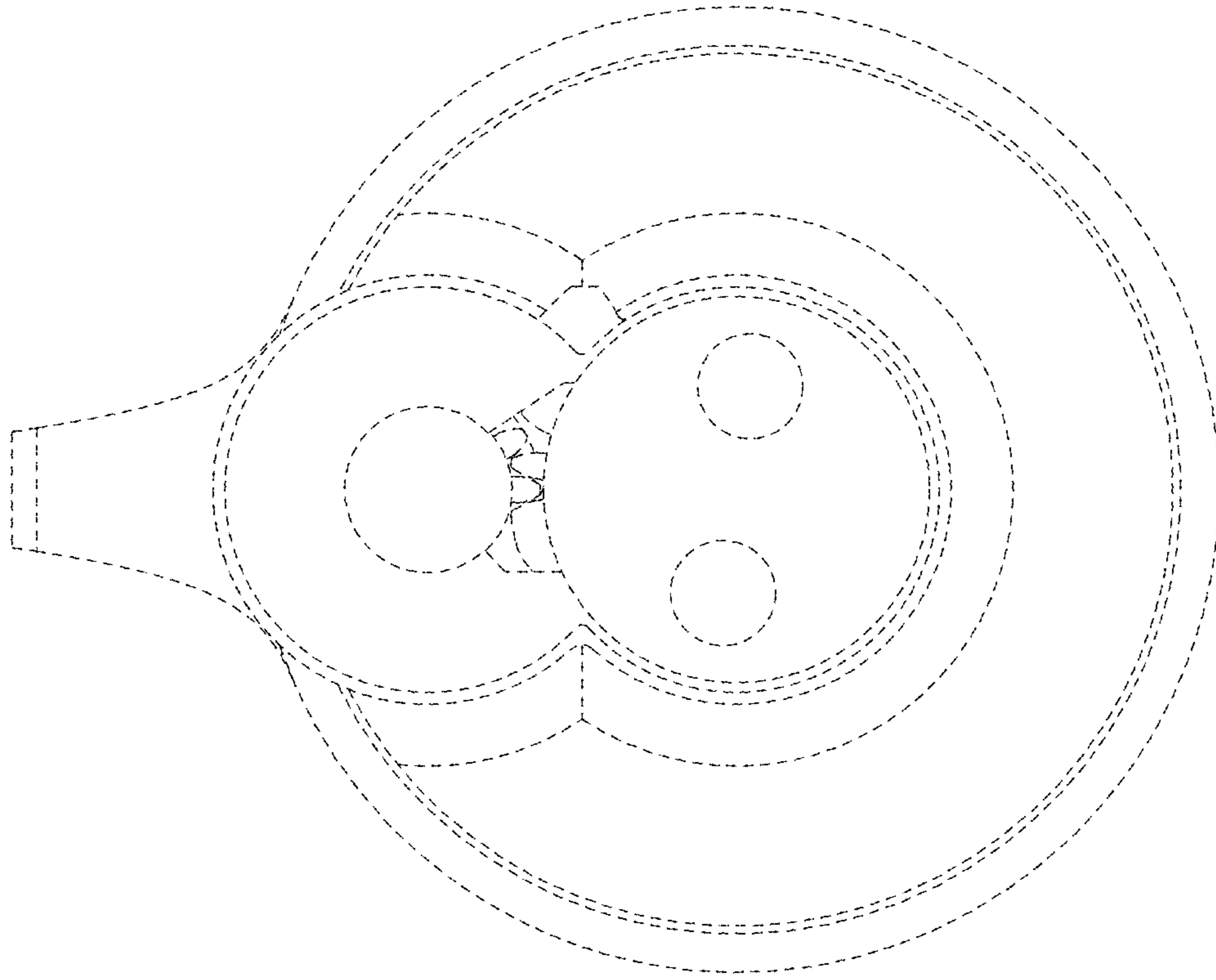


Fig. 6

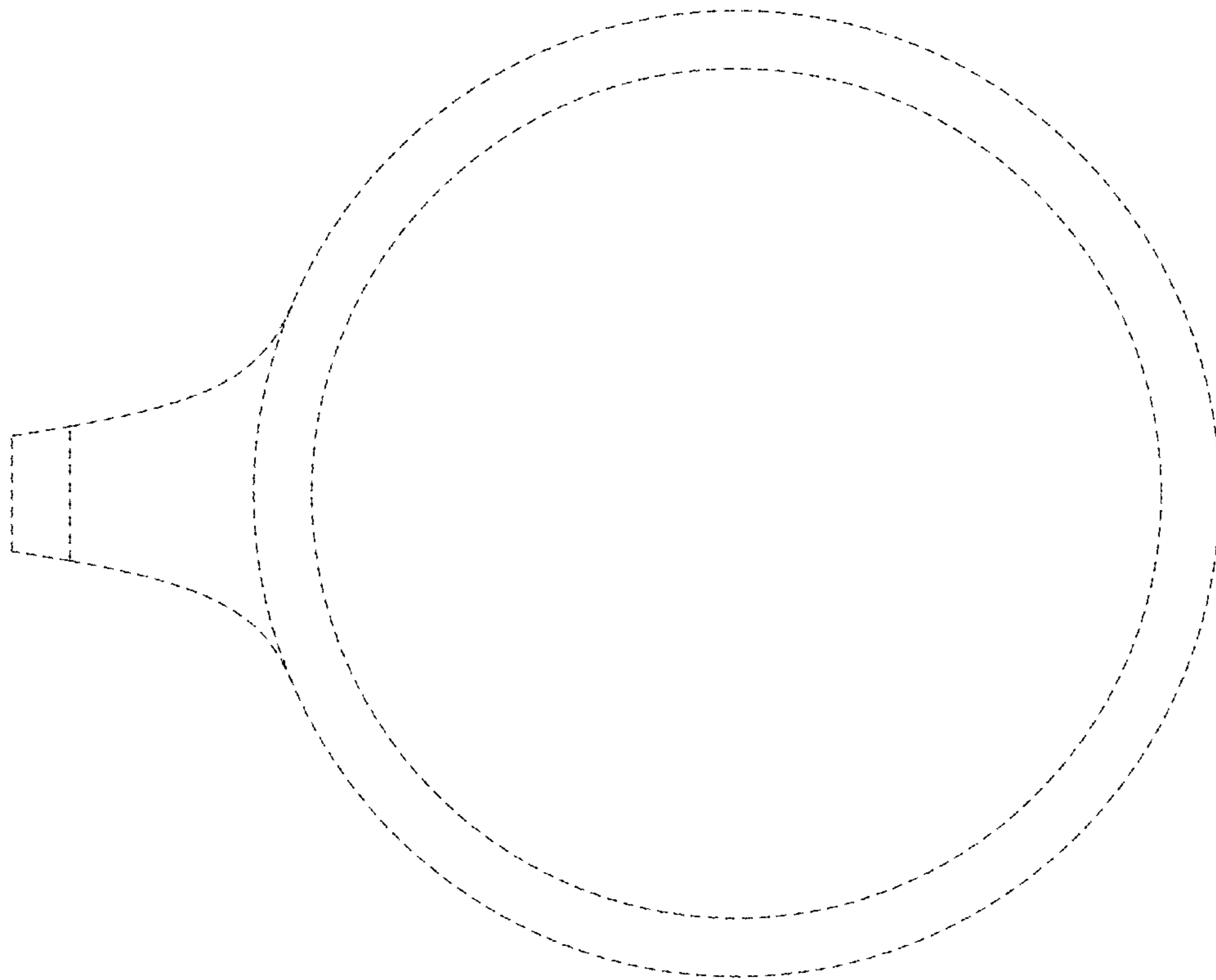


Fig. 5

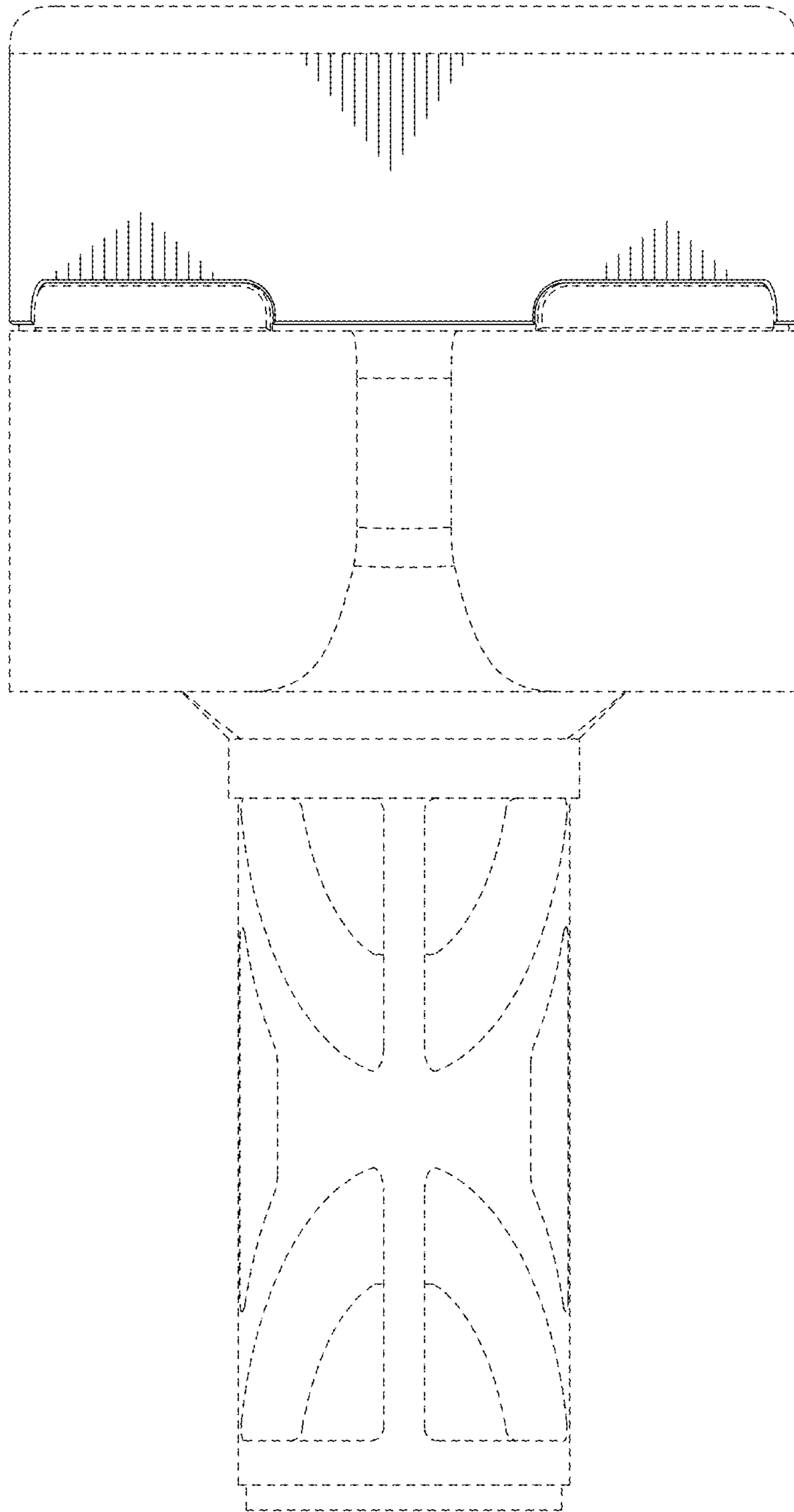


Fig. 7

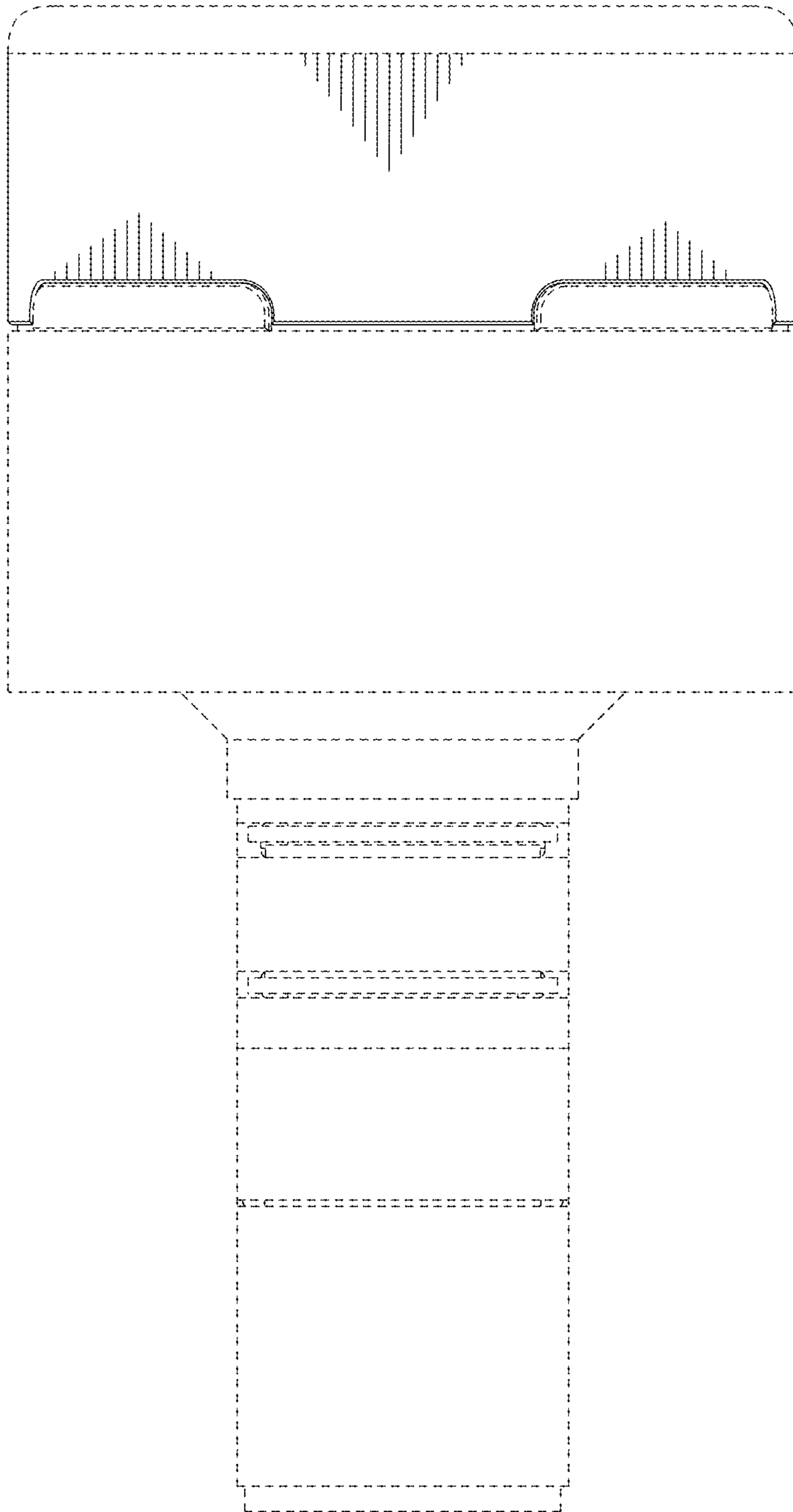


Fig. 8