

US00D965405S

(12) **United States Design Patent** (10) **Patent No.:** **US D965,405 S**
Duxbury (45) **Date of Patent:** **** Oct. 4, 2022**

(54) **STOP ASSEMBLY**
(71) Applicant: **Woodpeckers, LLC**, Strongsville, OH (US)
(72) Inventor: **Nathan William Duxbury**, Northfield, OH (US)
(73) Assignee: **Woodpeckers, LLC**, Strongsville, OH (US)
(**) Term: **15 Years**
(21) Appl. No.: **29/806,161**
(22) Filed: **Sep. 1, 2021**
(51) **LOC (13) Cl.** **08-05**
(52) **U.S. Cl.**
USPC **D8/71**
(58) **Field of Classification Search**
USPC D8/61, 70, 71; D15/133, 138, 139, 140
CPC B23B 47/28; B27B 27/02; B27B 27/10
See application file for complete search history.

5,018,562 A * 5/1991 Adams B27B 27/10
83/435.15
5,040,443 A 8/1991 Price
5,293,176 A 3/1994 Elliot
5,337,641 A 8/1994 Duginske
5,419,540 A 5/1995 Teafatiller
5,617,909 A 4/1997 Duginske
(Continued)

OTHER PUBLICATIONS

“Rockier Inline Track Stop for T Track System—Durable Aluminum T Tracks Woodworking Stop features Low-Profile Knobs—T-Track Stop Measure . . .” Amazon., Jun. 2, 2015 [online], [retrieved on Jul. 28, 2022], Retrieved from the Internet <URL: <https://www.amazon.com/Rockler-Inline-Stop-T-Track-System/dp/B00YP2M0CU>>.*
(Continued)

Primary Examiner — Darlington Ly
(74) *Attorney, Agent, or Firm* — Sand, Sebolt & Wernow Co., LPA

(57) **CLAIM**

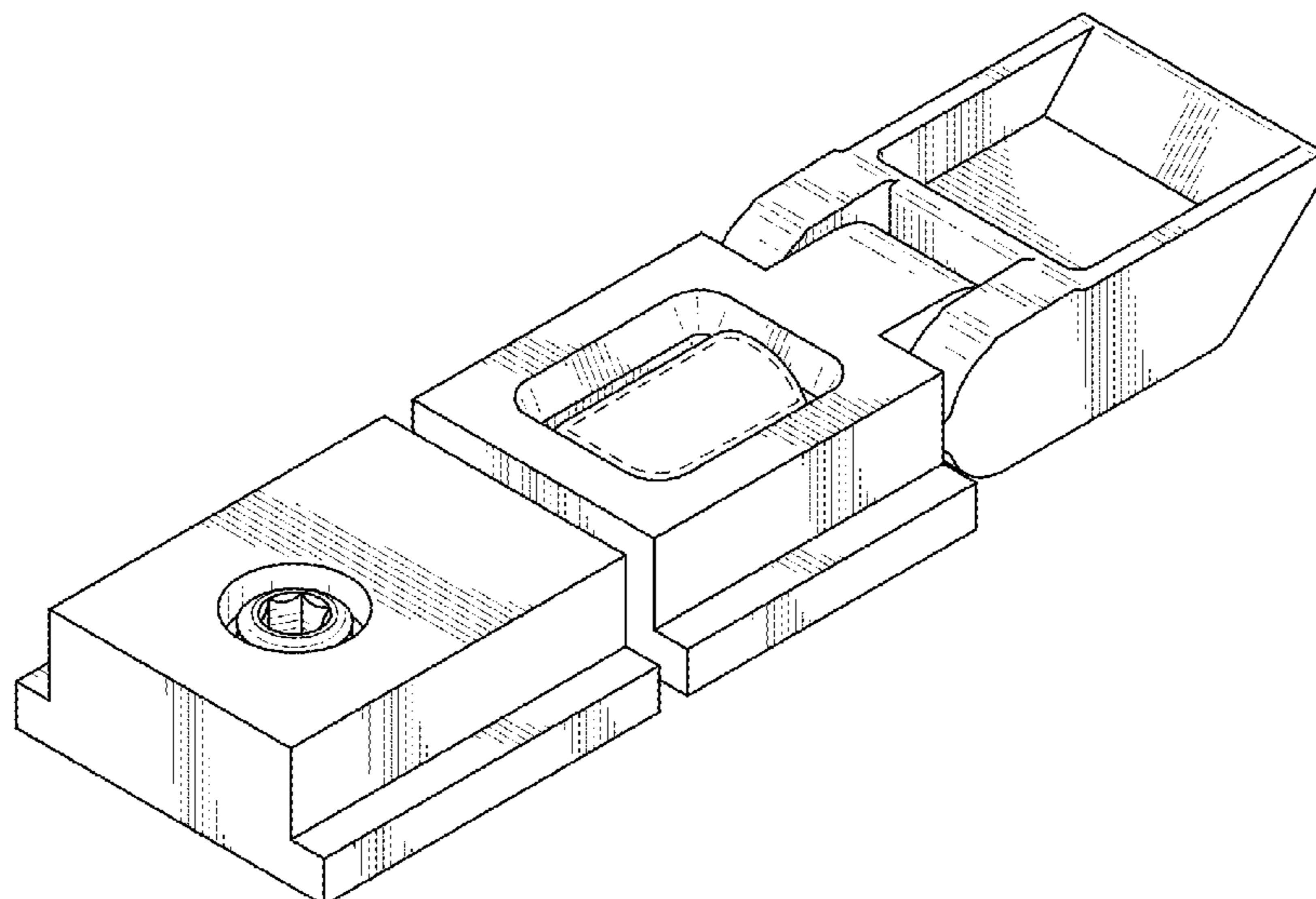
The ornamental design for a stop assembly, as shown and described.

DESCRIPTION

FIG. 1 is a front, left, top, isometric perspective view of a stop assembly in accordance with my design;
FIG. 2 is a front elevation view thereof;
FIG. 3 is a rear elevation view thereof;
FIG. 4 is a left side elevation view thereof;
FIG. 5 is a right side elevation view thereof;
FIG. 6 is a top plan view thereof;
FIG. 7 is a bottom plan view thereof; and,
FIG. 8 is a cross-section of the stop assembly shown in the direction of line 8-8 of FIG. 6.
The broken lines illustrate portions of the environment or stop assembly which form no part of the claimed design.

1 Claim, 5 Drawing Sheets

(56) **References Cited**
U.S. PATENT DOCUMENTS
1,504,248 A 8/1924 Johnson
2,890,729 A 6/1959 Horn
3,095,673 A * 7/1963 Born, Jr. B23D 47/04
83/468
3,516,316 A 6/1970 Cooper
3,994,484 A * 11/1976 Schorr B27B 27/10
269/315
4,693,158 A * 9/1987 Price B23Q 16/001
144/287
4,745,834 A 5/1988 Neuman
D298,040 S * 10/1988 Legler D15/138
4,782,871 A * 11/1988 Aigner B23Q 3/005
83/468.2
4,901,992 A * 2/1990 Dobeck G05B 19/39
83/72
4,974,650 A * 12/1990 Varley B23Q 3/002
144/250.15



(56)

References Cited

U.S. PATENT DOCUMENTS

D387,782 S * 12/1997 Letendre D15/138
 5,722,308 A 3/1998 Ceroll et al.
 5,735,324 A 4/1998 Ponce
 5,768,966 A 6/1998 Duginske
 5,768,996 A 6/1998 Ackley
 5,807,036 A 9/1998 Lostlen
 5,845,555 A * 12/1998 Dawley B23Q 16/006
 83/467.1
 D404,404 S * 1/1999 Lane D15/133
 D415,177 S * 10/1999 Miller D15/133
 D427,214 S * 6/2000 Welsh D15/133
 D428,899 S * 8/2000 Brutscher D15/133
 6,557,601 B1 * 5/2003 Taylor B27B 27/10
 83/435.14
 6,688,202 B2 2/2004 Parks et al.
 6,880,442 B2 4/2005 Duginske
 D512,893 S * 12/2005 Cowan D8/71
 7,228,774 B2 6/2007 Stolzer
 7,231,858 B2 6/2007 Oberheim
 7,367,253 B2 5/2008 Romo et al.
 7,416,000 B2 * 8/2008 White B27B 25/10
 144/253.1
 7,464,737 B2 12/2008 Duginske
 7,483,765 B2 1/2009 Dick et al.
 7,798,187 B1 9/2010 Duginske
 8,621,970 B2 1/2014 Lawlor et al.
 D702,532 S * 4/2014 Garrido D8/354
 8,844,918 B1 * 9/2014 Milligan B25B 5/102
 269/303
 D754,525 S * 4/2016 Kandakur D8/354
 9,505,069 B2 11/2016 Frolov
 D808,249 S * 1/2018 Kandakur D8/354
 9,993,938 B2 6/2018 Chen

9,996,072 B2 6/2018 Dick et al.
 10,092,968 B2 10/2018 Fulmer et al.
 D907,079 S * 1/2021 Favel D15/133
 10,906,110 B2 2/2021 Mayer et al.
 10,940,569 B2 3/2021 Hart et al.
 D915,715 S * 4/2021 Berg D34/10
 11,020,808 B2 6/2021 Duginske
 11,345,057 B1 * 5/2022 Duxbury B27B 27/02
 2002/0092397 A1 7/2002 Liu
 2004/0124036 A1 7/2004 Ulshafter, Jr.
 2005/0056345 A1 3/2005 Duginske
 2005/0223862 A1 10/2005 Oberheim
 2006/0248998 A1 11/2006 Duginske
 2007/0175729 A1 * 8/2007 Robinson B65G 47/8823
 193/35 A
 2012/0167738 A1 * 7/2012 Lawlor B23D 47/04
 83/471.3
 2015/0082962 A1 3/2015 Lin
 2015/0298273 A1 * 10/2015 Suhling B23Q 16/08
 269/74
 2017/0341258 A1 11/2017 Chang
 2019/0375060 A1 12/2019 Hart et al.
 2020/0215623 A1 * 7/2020 Duginske B27B 27/00
 2021/0078196 A1 3/2021 Pierluigi
 2021/0394319 A1 * 12/2021 Suhling B27B 27/10
 2022/0176580 A1 * 6/2022 Ottemeier B27B 27/02

OTHER PUBLICATIONS

“POWERTEC 71367 3-Inch Fence Flip Stop for Woodworking”
 Amazon., May 3, 2019 [online], [retrieved on Jul. 28, 2022].
 Retrieved from the Internet <URL: https://www.amazon.com/POWERTEC-71367-3-Inch-Fence-Flip/dp/B07RJBCS46/ref=pd_lpo_3?pd_rd_i=B07RJBCS46&th=1>.*

* cited by examiner

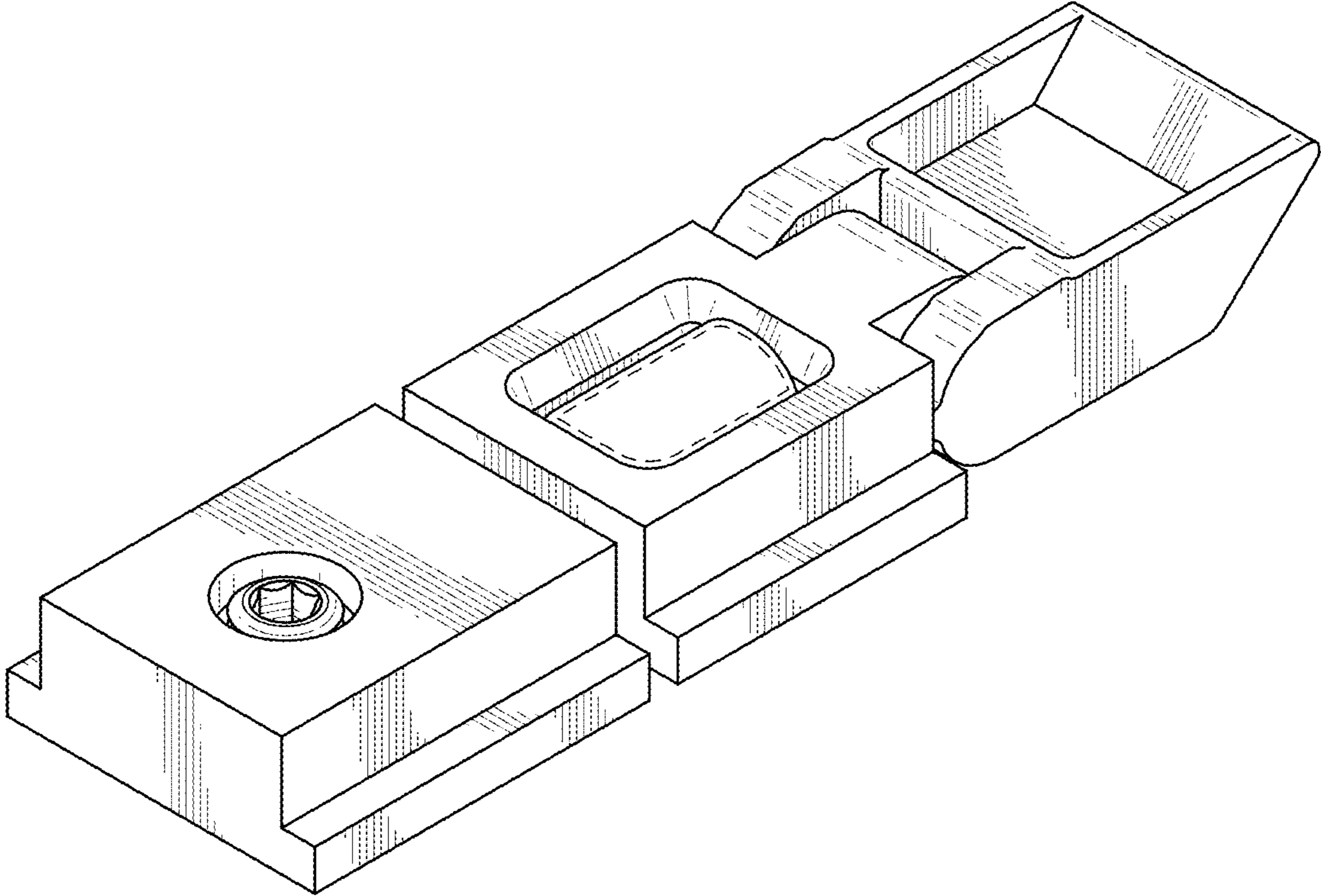


FIG.1

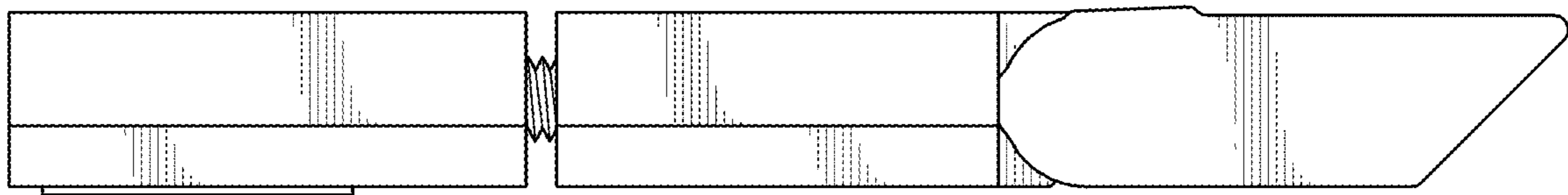


FIG. 2

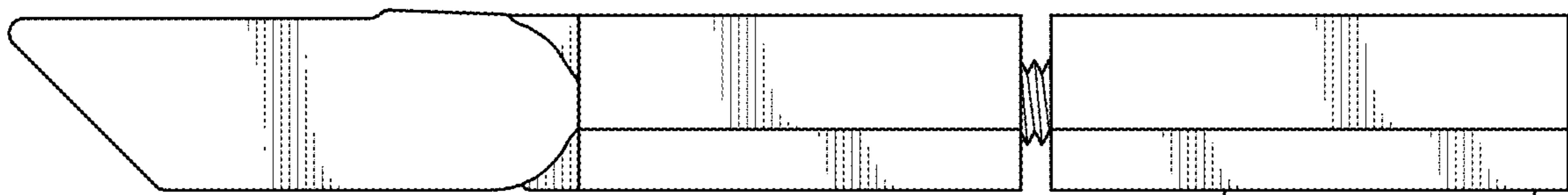


FIG. 3

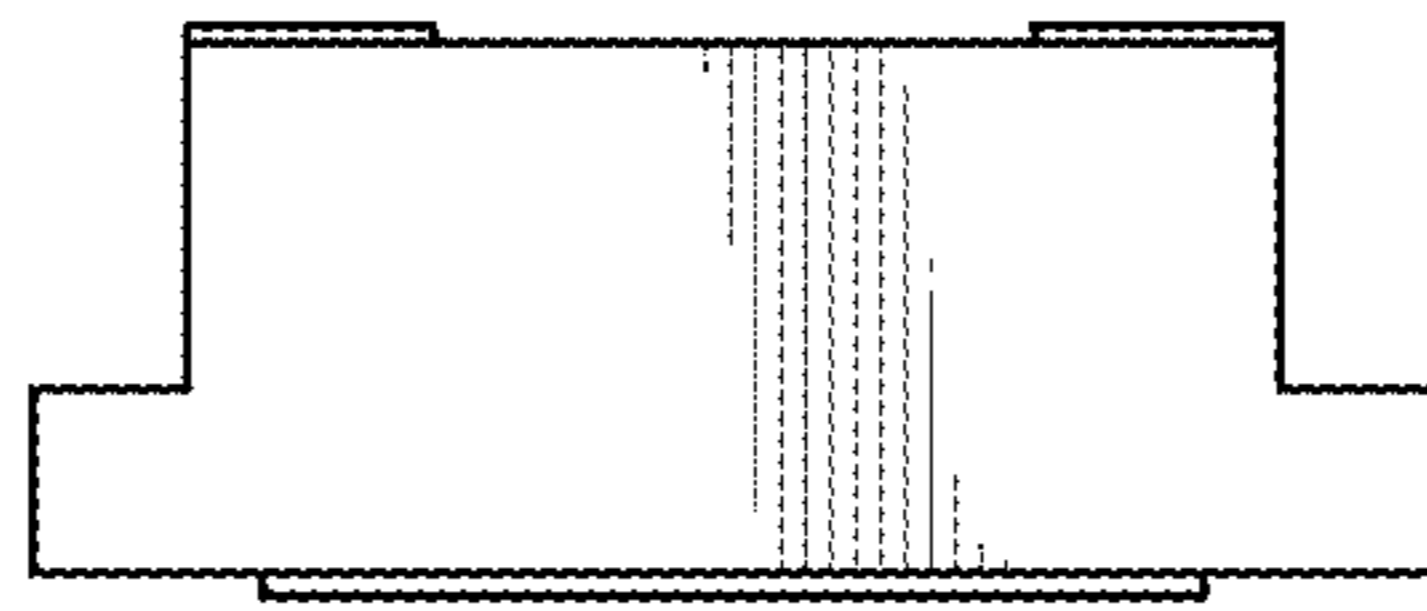


FIG.4

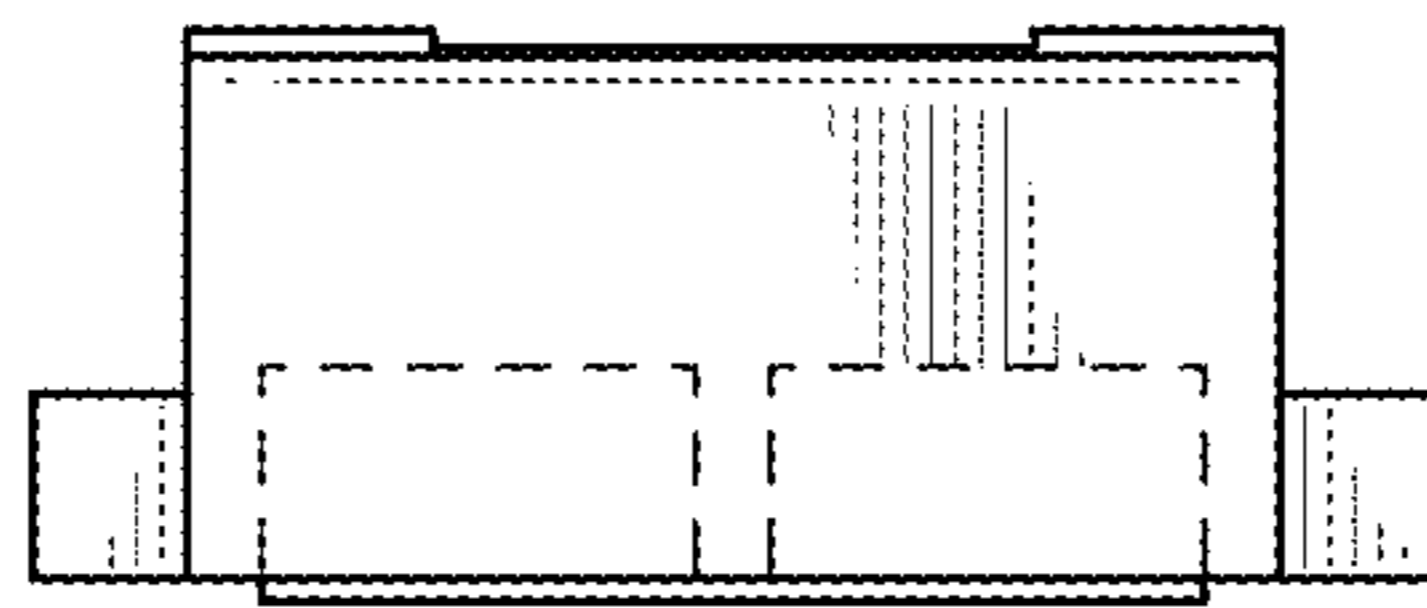
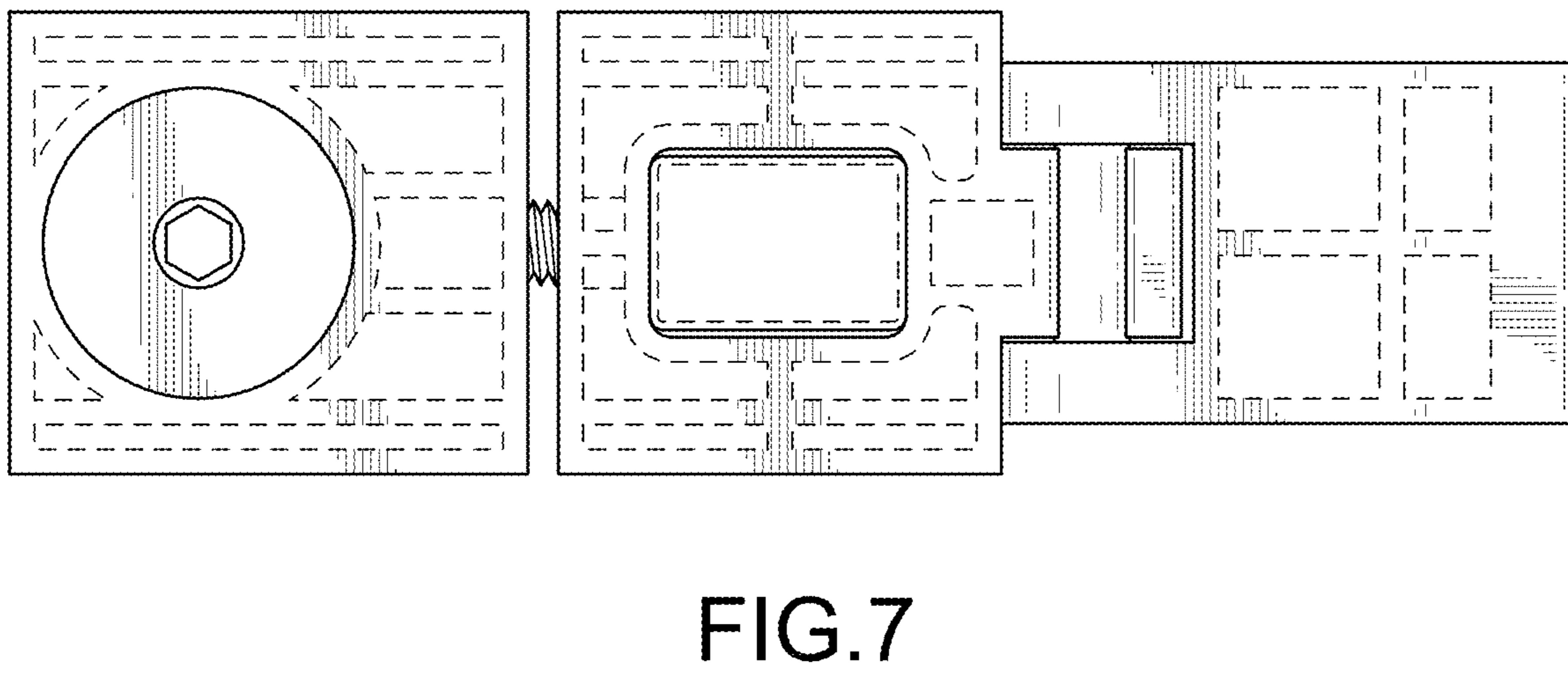
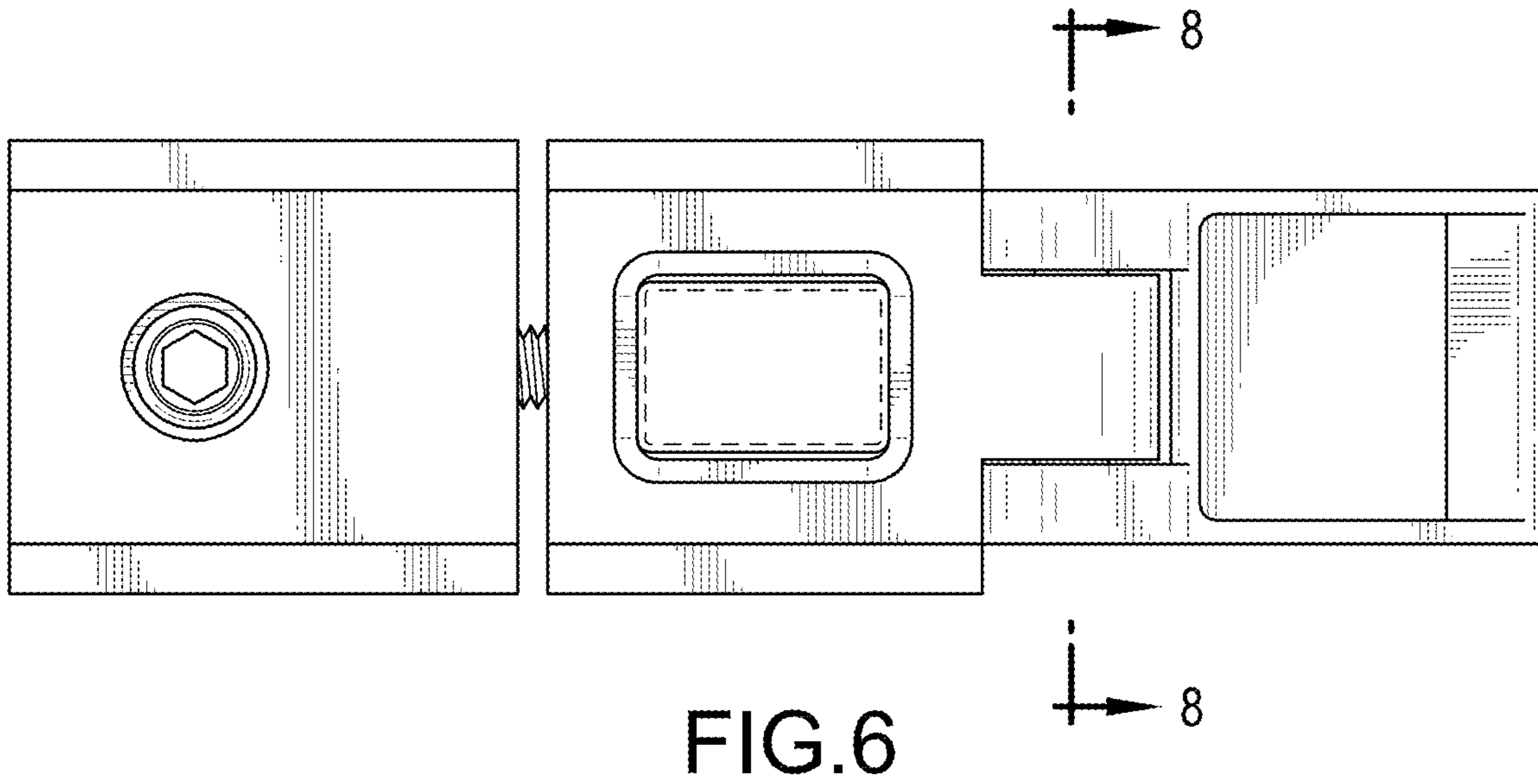


FIG.5



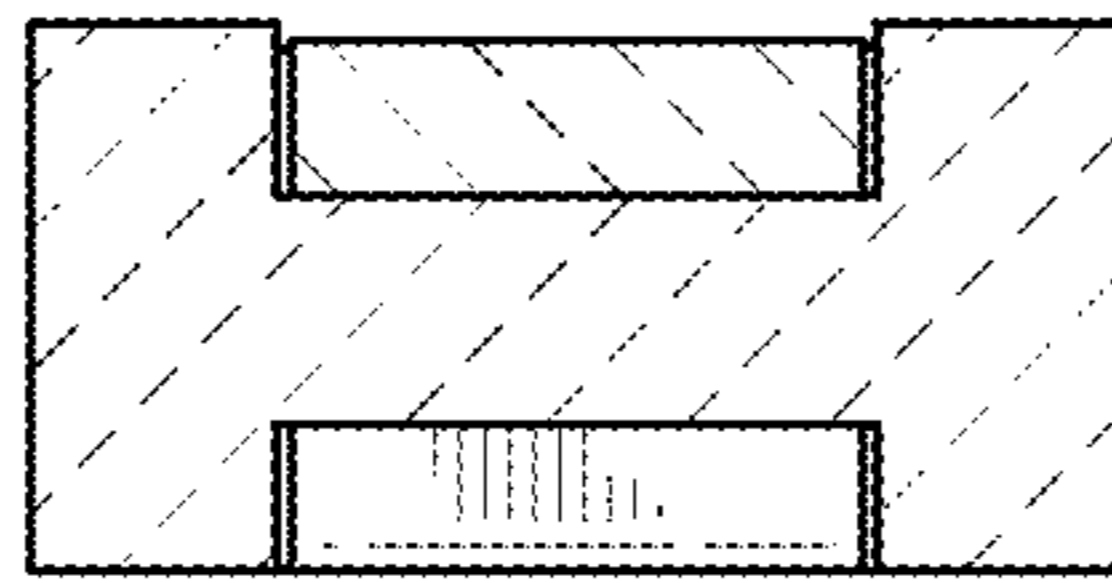


FIG.8