



US00D965399S

(12) **United States Design Patent** (10) **Patent No.:** **US D965,399 S**  
**Amash et al.** (45) **Date of Patent:** **\*\* Oct. 4, 2022**

(54) **FOLDING RATCHET**

(71) Applicant: **Tekton, Inc.**, Grand Rapids, MI (US)

(72) Inventors: **John A. Amash**, Grand Rapids, MI (US); **Joshua L. Harrison**, Grand Rapids, MI (US); **Kramer A. Doyle**, Saugatuck, MI (US)

(73) Assignee: **Tekton, Inc.**, Grand Rapids, MI (US)

(\*\*) Term: **15 Years**

(21) Appl. No.: **29/779,088**

(22) Filed: **Apr. 16, 2021**

(51) **LOC (13) Cl.** ..... **08-05**

(52) **U.S. Cl.**  
USPC ..... **D8/25**

(58) **Field of Classification Search**  
USPC ..... D8/14, 21, 24–27, 29, 51, 59, 107;  
D24/133, 147; 81/57.13, 57.39, 60  
CPC ..... B25B 21/004; B25B 13/46; B25B 13/463  
See application file for complete search history.

(56) **References Cited**

**U.S. PATENT DOCUMENTS**

5,280,740 A 1/1994 Ernst  
5,331,869 A 7/1994 Webb  
5,542,322 A 8/1996 Knox et al.  
(Continued)

**OTHER PUBLICATIONS**

“Here’s the New Tekton Folding Ratchet”; Stuart; ToolGuyd.com; Dec. 21, 2020; Accessed Apr. 18, 2022; URL: < <https://toolguyd.com/tekton-folding-ratchet/> > (Year: 2020).\*  
(Continued)

*Primary Examiner* — Rachel A. Voorhies  
*Assistant Examiner* — Benjamin D. Wannemacher

(74) *Attorney, Agent, or Firm* — Warner Norcross + Judd LLP

(57) **CLAIM**

The ornamental design for a folding ratchet, as shown and described.

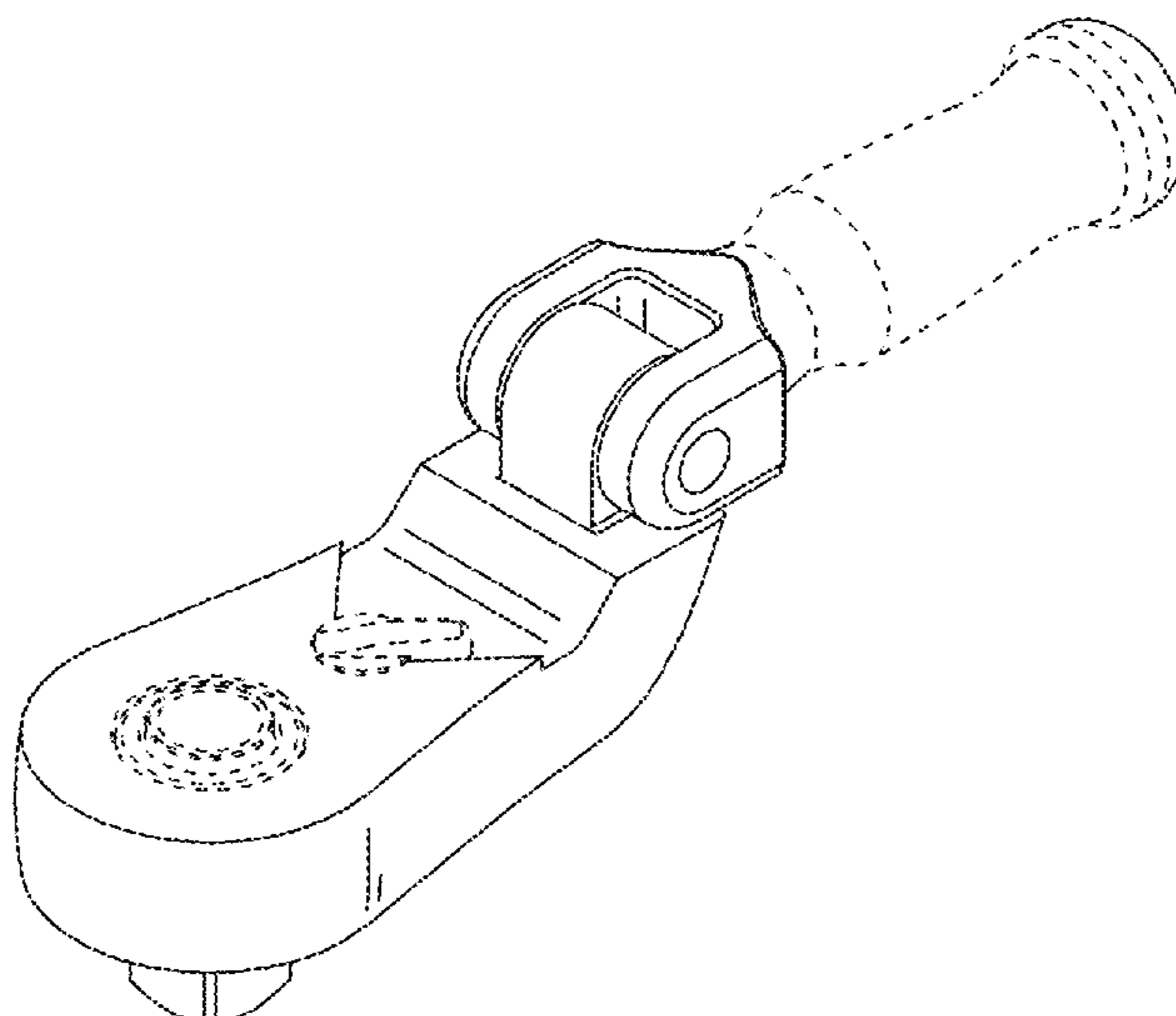
**DESCRIPTION**

FIG. 1 is a top, front, right perspective view of a folding ratchet embodying the new design with a handle in an extended configuration;  
FIG. 2 is a top, rear, right perspective view thereof;  
FIG. 3 is a bottom, rear, right perspective view thereof;  
FIG. 4 is a bottom, front, right perspective view thereof;  
FIG. 5 is a top view thereof;  
FIG. 6 is a bottom view thereof;  
FIG. 7 is a right side view thereof, the left side view being a mirror image thereof;  
FIG. 8 is a front view thereof;  
FIG. 9 is a rear view thereof;  
FIG. 10 is a top, front, right perspective view of the folding ratchet embodying the new design with the handle in a folded configuration;  
FIG. 11 is a top, rear, right perspective view thereof;  
FIG. 12 is a bottom, rear, right perspective view thereof;  
FIG. 13 is a bottom, front, right perspective view thereof;  
FIG. 14 is a top view thereof;  
FIG. 15 is a bottom view thereof;  
FIG. 16 is a right side view thereof, the left side view being a mirror image thereof;  
FIG. 17 is a front view thereof; and,  
FIG. 18 is a rear view thereof.

The dash-dash broken lines are for the purpose of illustrating portions of the folding ratchet and forms no part of the claimed design.

The dot-dash broken lines represent unclaimed boundaries and form no part of the claimed design. In FIGS. 3, 4, 6, 12, 13 and 15 the region on the flat underside of the ratchet and the adjacent interior solid line forms no part of the claimed design.

**1 Claim, 8 Drawing Sheets**



(56)

References Cited

U.S. PATENT DOCUMENTS

D419,837 S \* 2/2000 Knox ..... B25B 13/461  
D8/25  
6,286,395 B1 \* 9/2001 Frazier ..... B25G 1/105  
81/177.2  
D506,373 S \* 6/2005 Hsien ..... B25B 23/0028  
D8/27  
D516,405 S \* 3/2006 Saunders ..... D8/80  
7,066,059 B1 6/2006 Hsieh  
D525,493 S \* 7/2006 Hsieh ..... D8/27  
7,168,345 B1 1/2007 Hsieh  
D562,654 S 2/2008 Yang  
D577,969 S \* 10/2008 Yang ..... D8/27  
D649,848 S \* 12/2011 Wegerich ..... D8/25  
D654,337 S \* 2/2012 Huang ..... D8/25  
D658,460 S \* 5/2012 Wang ..... D8/25  
D663,177 S \* 7/2012 Chen ..... D8/25  
8,408,099 B2 4/2013 Liou  
8,474,353 B1 7/2013 Thoman  
8,621,963 B2 1/2014 Johnson et al.  
D724,399 S \* 3/2015 Chern ..... D8/22  
D786,639 S 5/2017 Yang  
9,925,654 B2 3/2018 Ragner  
2004/0139826 A1 \* 7/2004 Hsien ..... B25B 13/463  
81/63.2  
2009/0241740 A1 \* 10/2009 Heagerty ..... B25B 13/461  
81/177.8  
2014/0033877 A1 \* 2/2014 Lee ..... B25B 23/0028  
81/177.8  
2020/0282532 A1 \* 9/2020 Amash ..... B25B 23/0035

OTHER PUBLICATIONS

Tekton 3/8 Inch Drive x8 Inch Quick-Release Ratchet, <https://www.tekton.com/quick-release-ratchets?quantity=1&drive-size=3-8-in>, believed to be commercially available at least as early as Feb. 3, 2021.  
Tekton 3/8 Inch Drive x8 Inch Flex Head Quick-Release Ratchet, <https://www.tekton.com/flex-quick-release-ratchets?quantity=1&drive-size=3-8-in>, believed to be commercially available at least as early as Feb. 3, 2021.  
Tekton 3/8 Inch Drive x4 1/2 Inch Quick-Release Ratchet, <https://www.tekton.com/stubby-quick-release-ratchets?quantity=1&drive-size=3-8-in>, believed to be commercially available at least as early as Feb. 3, 2021.  
Blue-Point STABIT 2190 Wrench, images attached (date: at least as early as Mar. 4, 2019).  
<https://www.tekton.com/composite-ratchets>, pp. 1-6, believed to be commercially available at least as early as Mar. 4, 2019.  
<https://www.tekton.com/flex-ratchets>, pp. 1-10, believed to be commercially available at least as early as Mar. 4, 2019.  
Pictures of ratchet believed to be commercially available at least as early as Mar. 4, 2019.  
\* cited by examiner

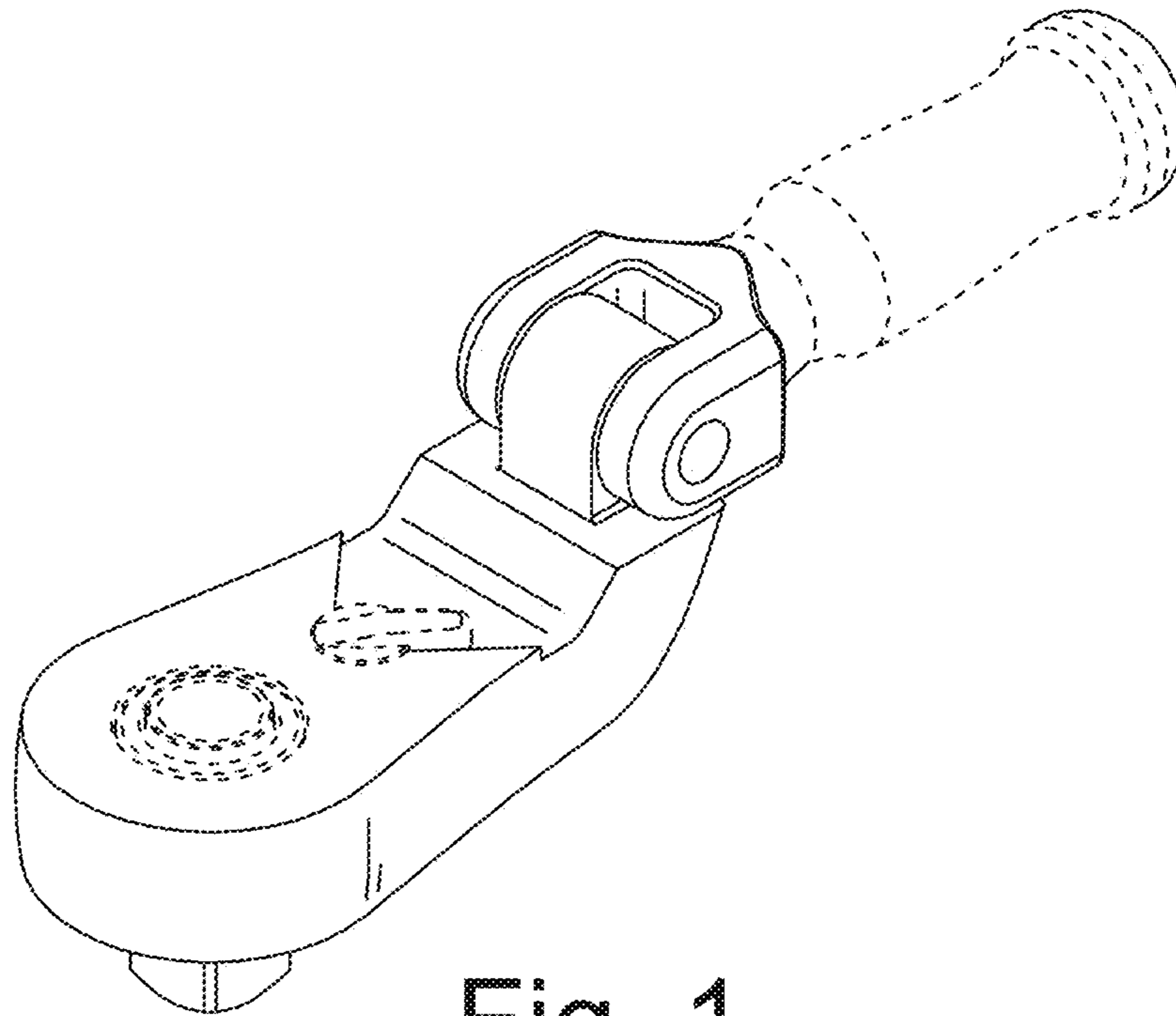


Fig. 1

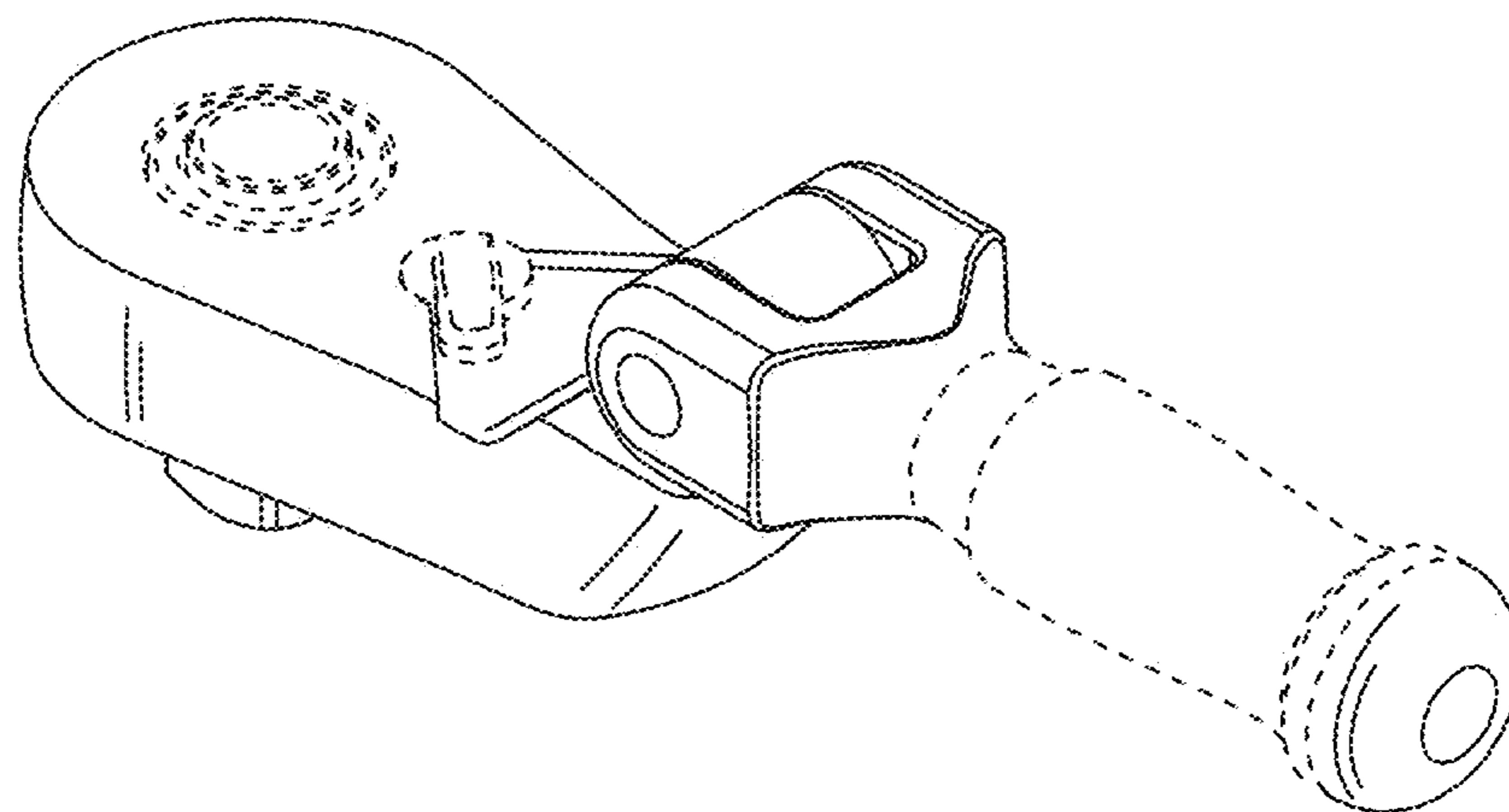


Fig. 2

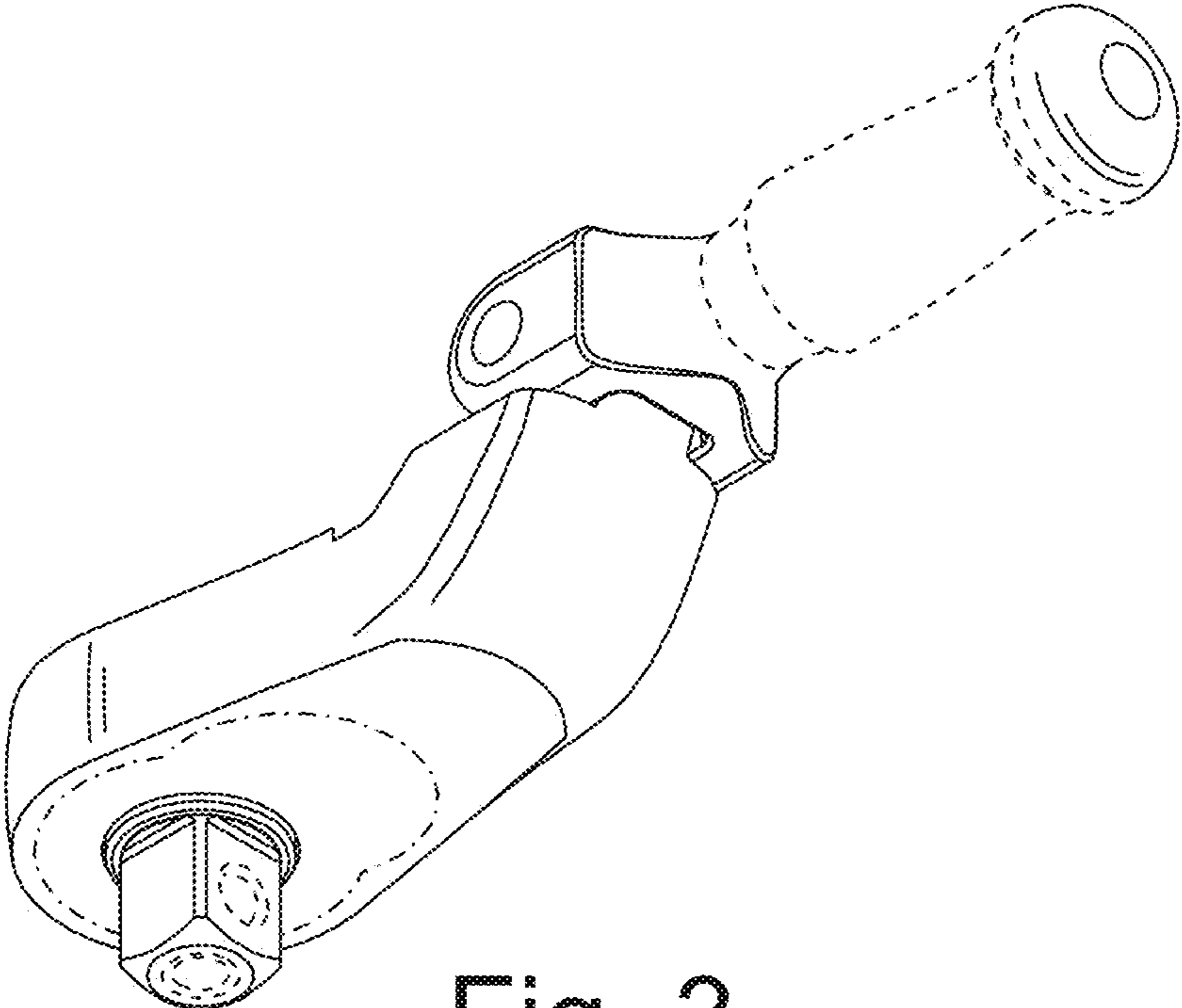


Fig. 3

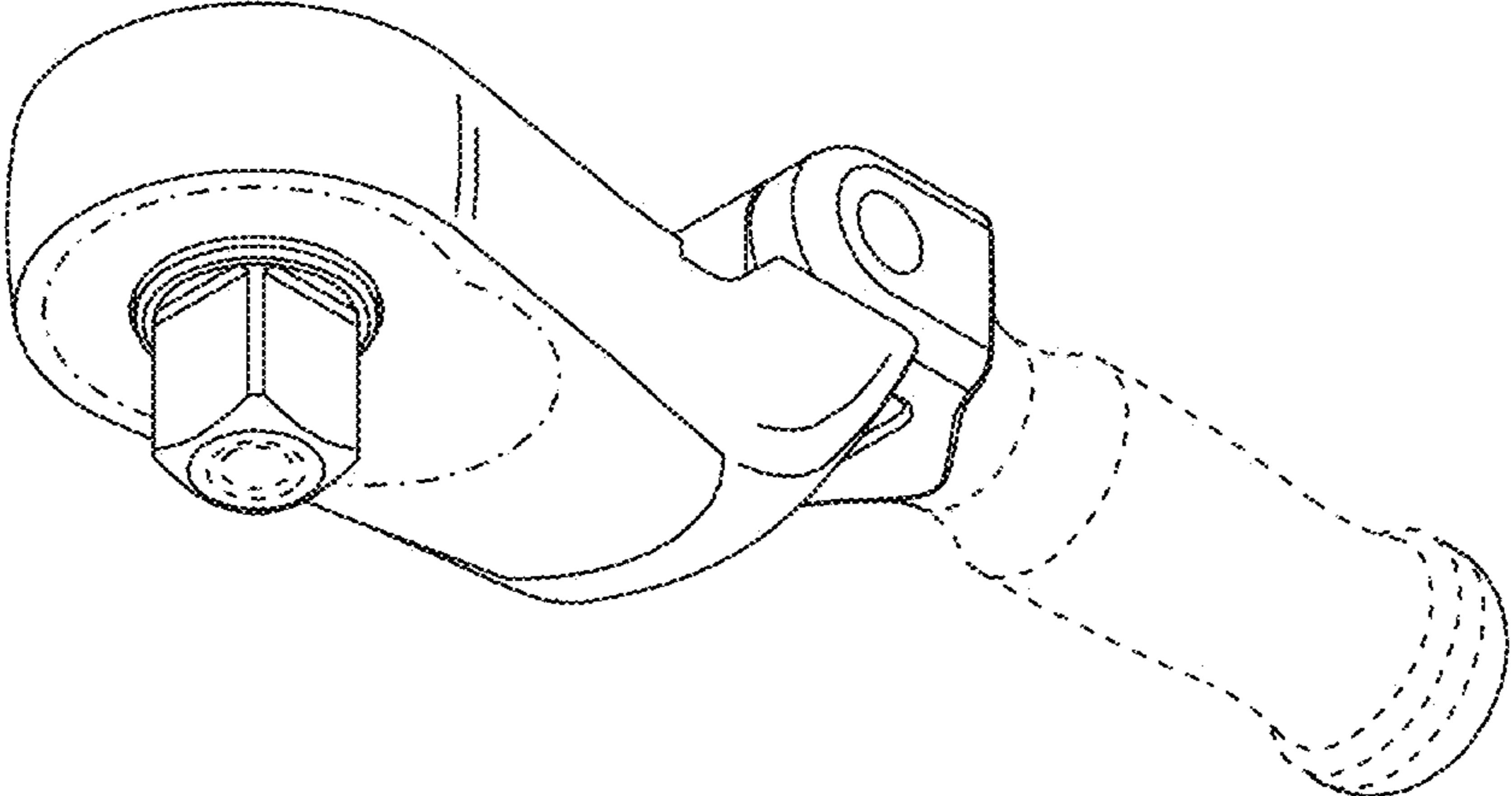


Fig. 4

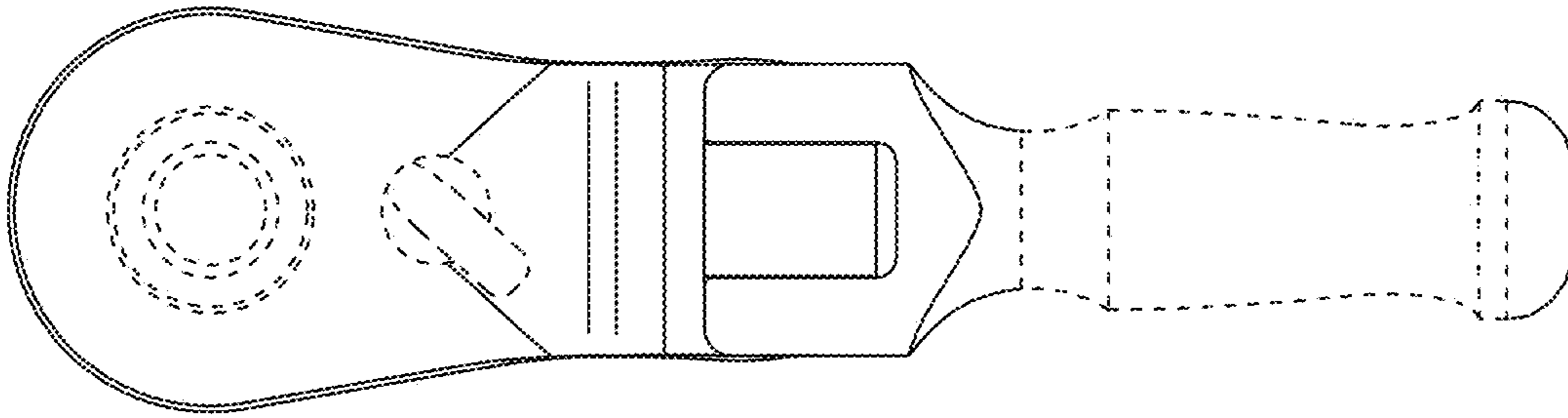


Fig. 5

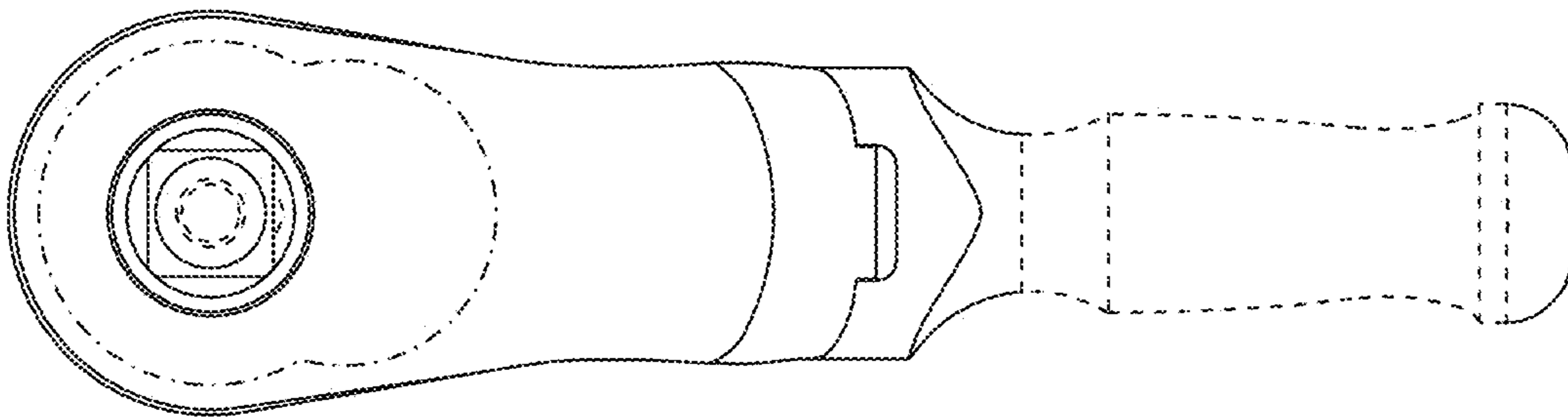


Fig. 6

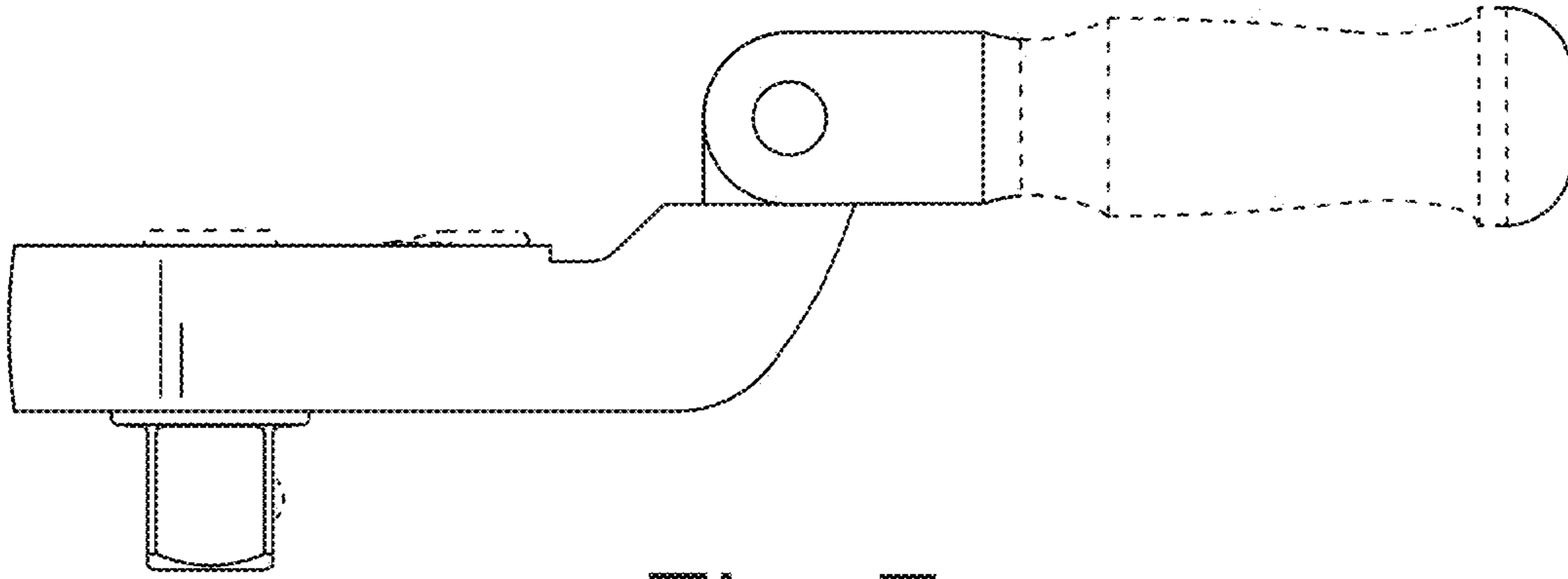


Fig. 7

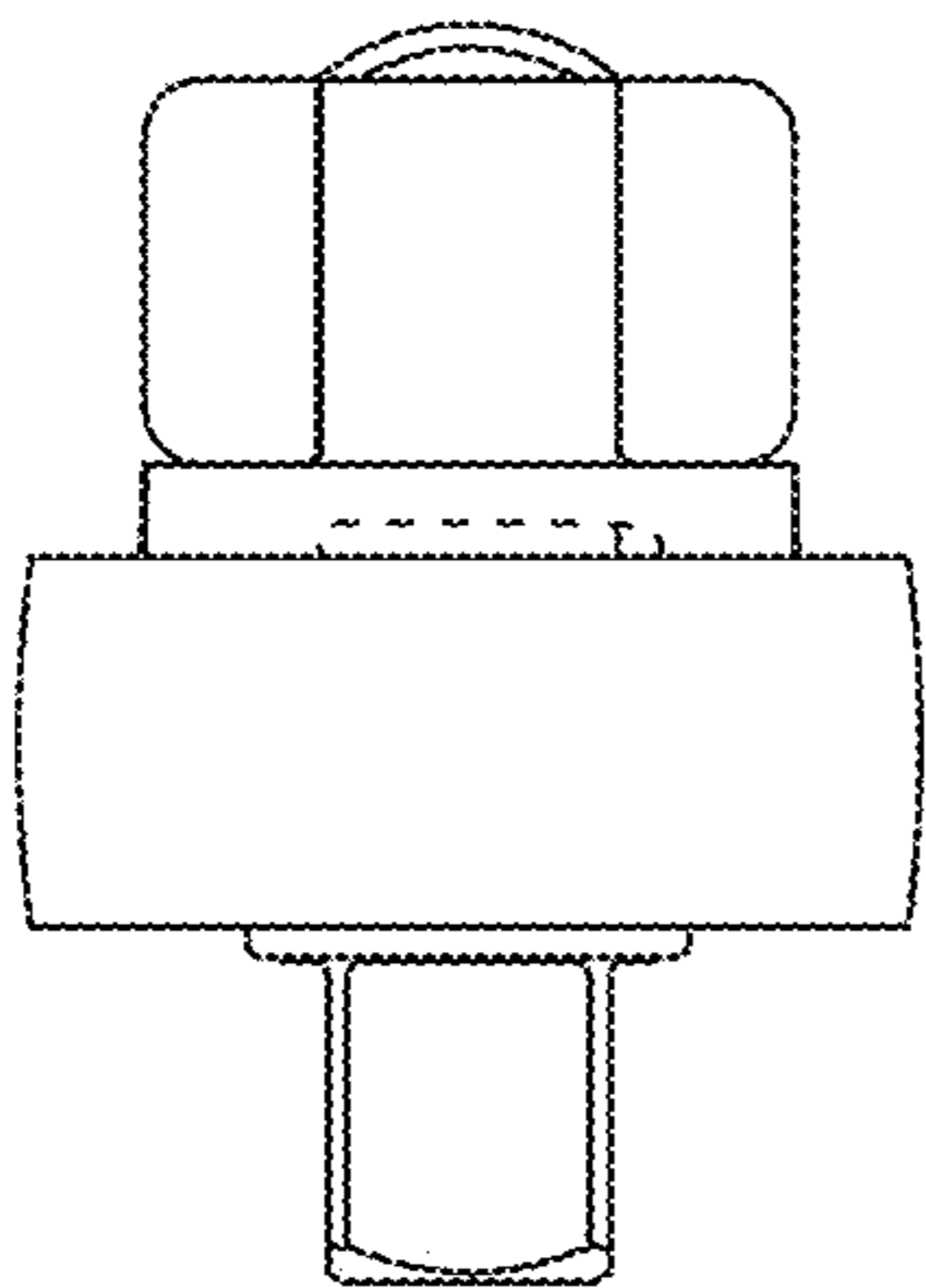


Fig. 8

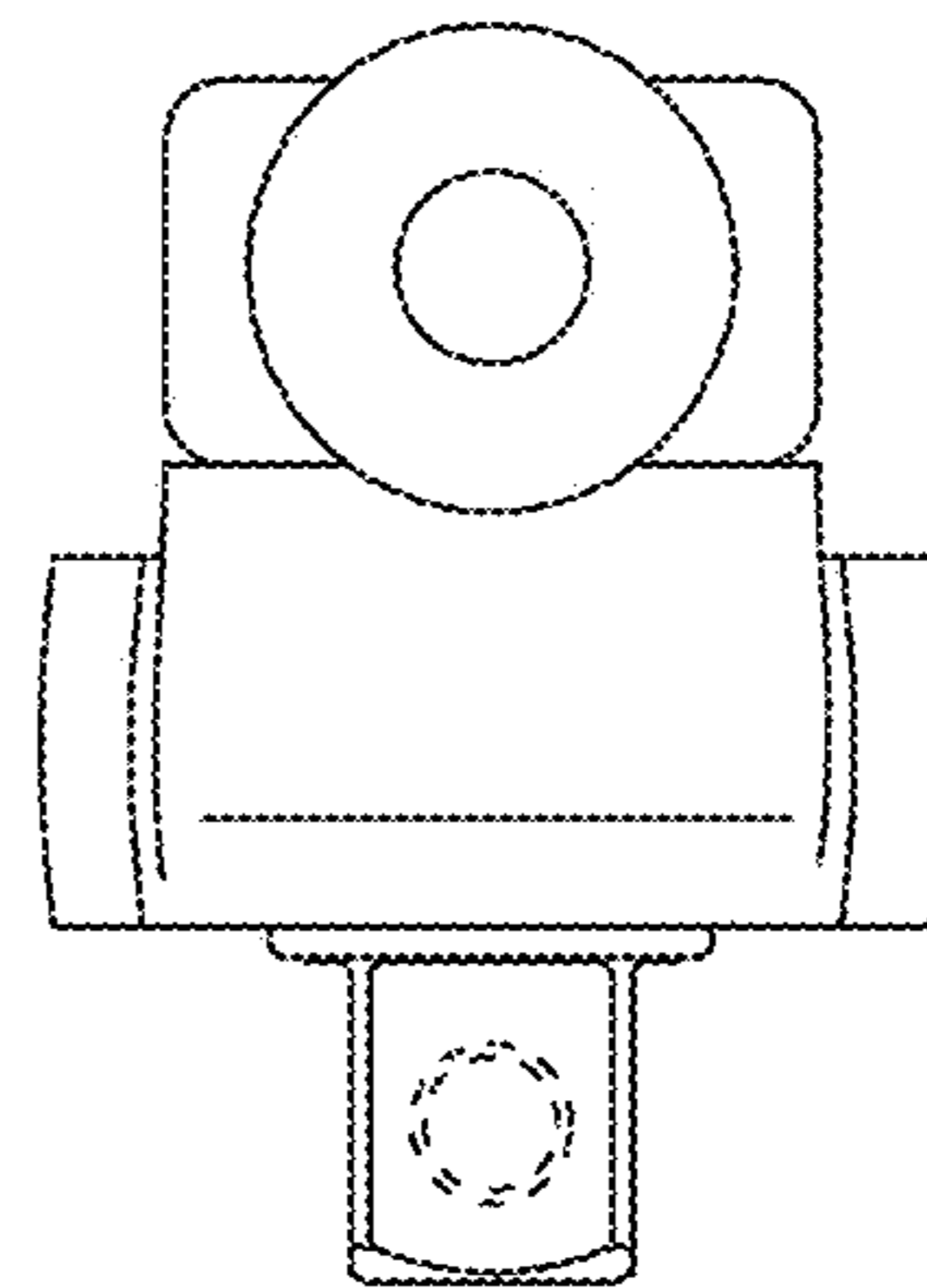


Fig. 9

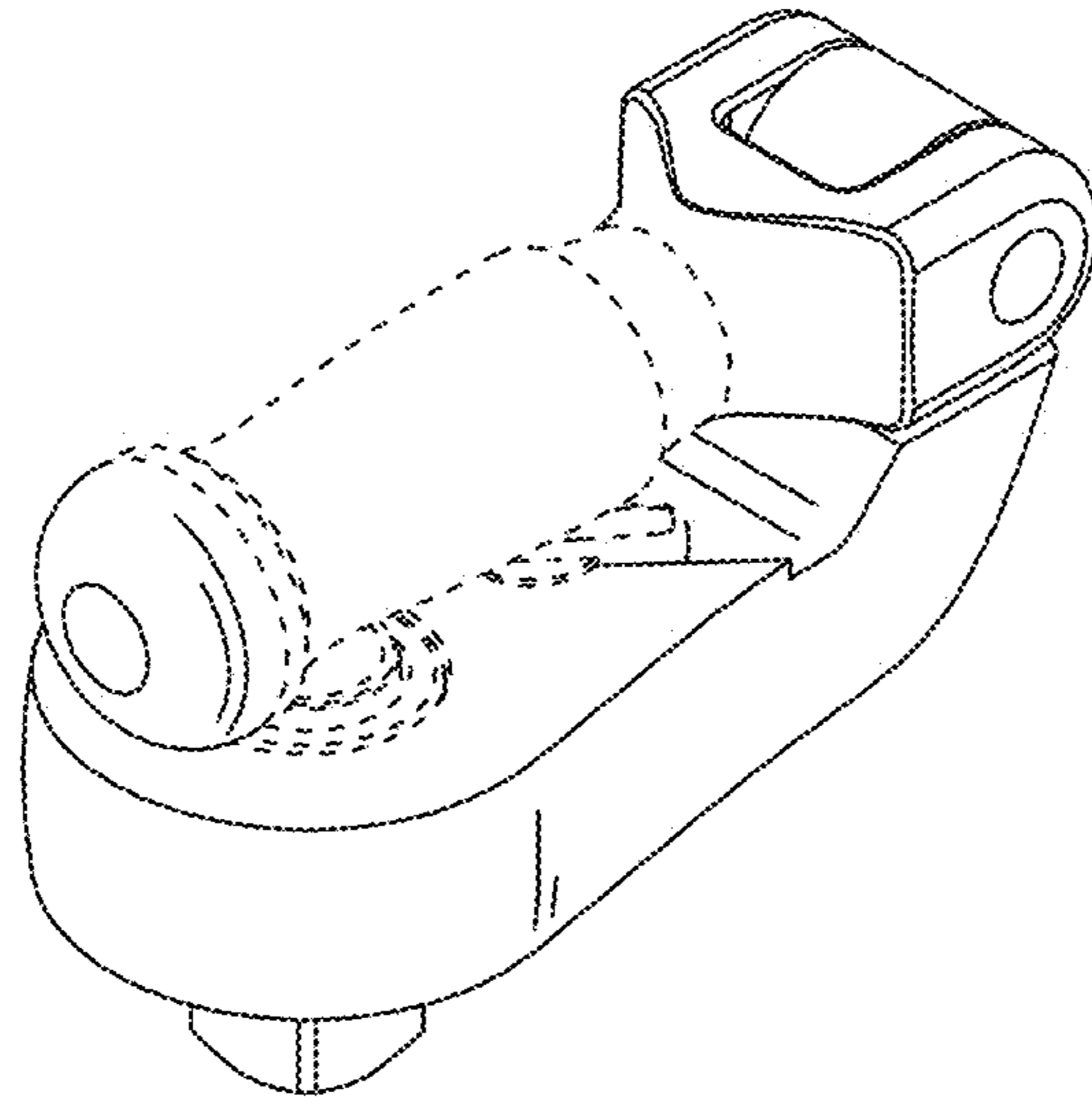


Fig. 10

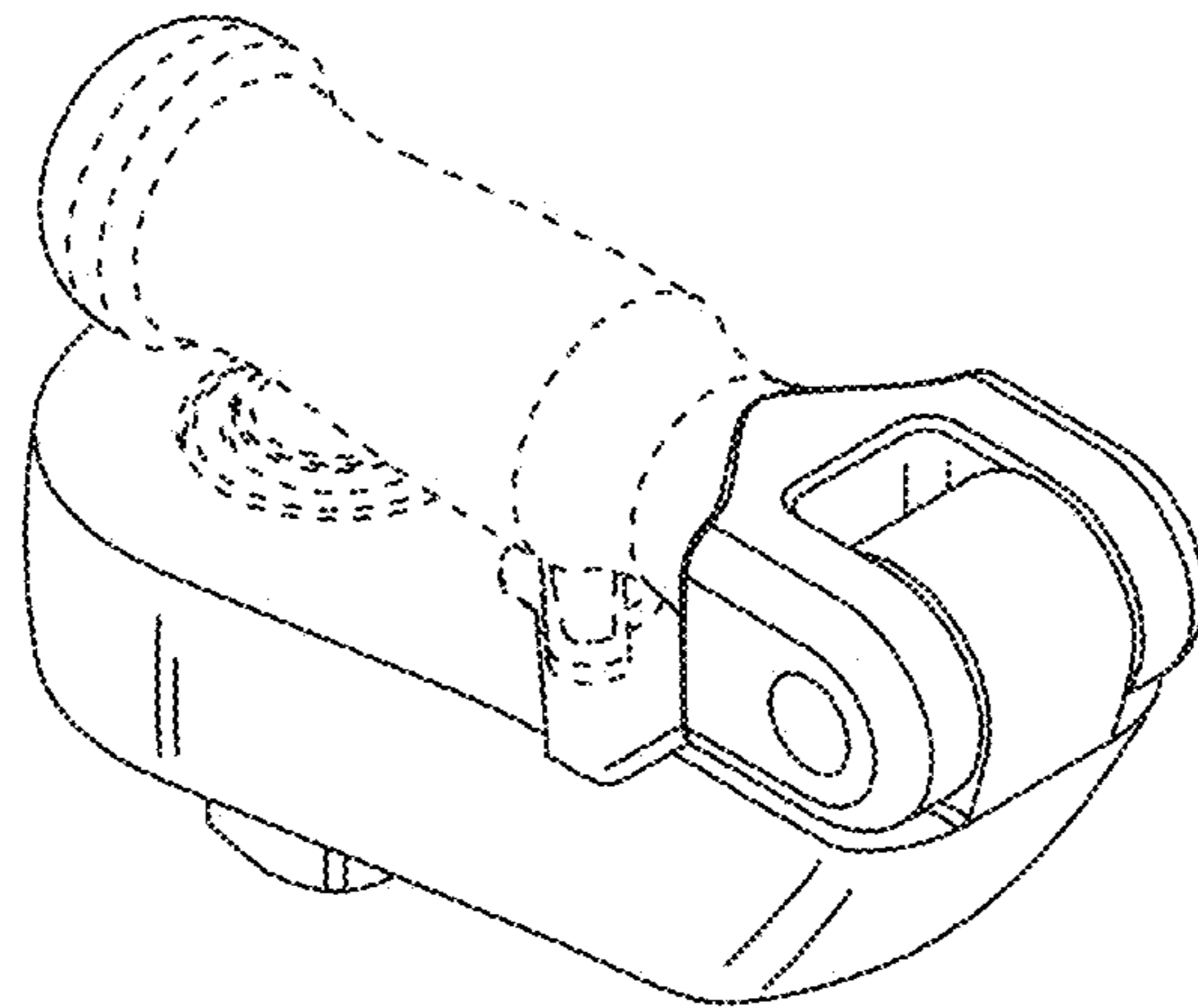


Fig. 11

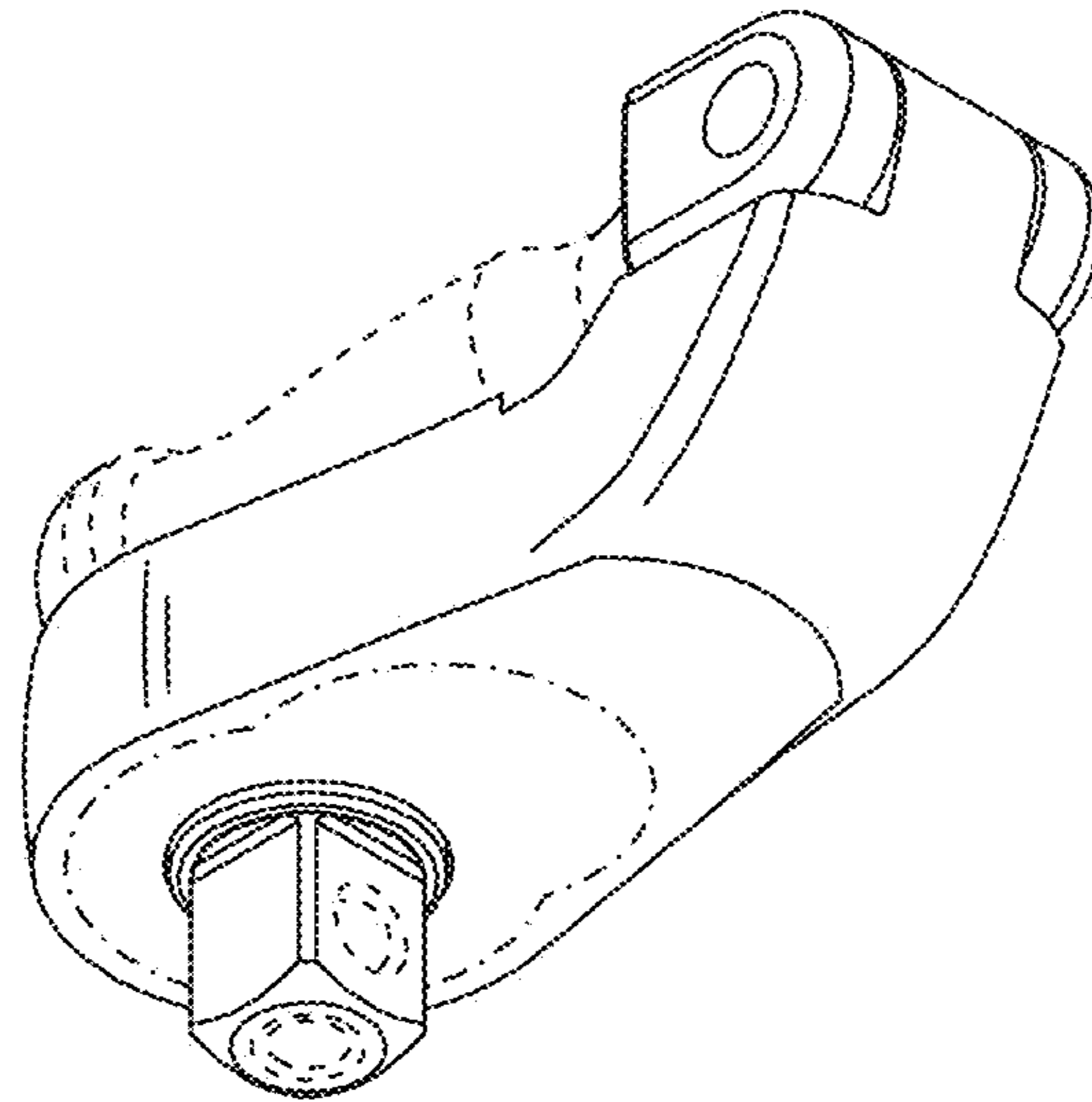


Fig. 12

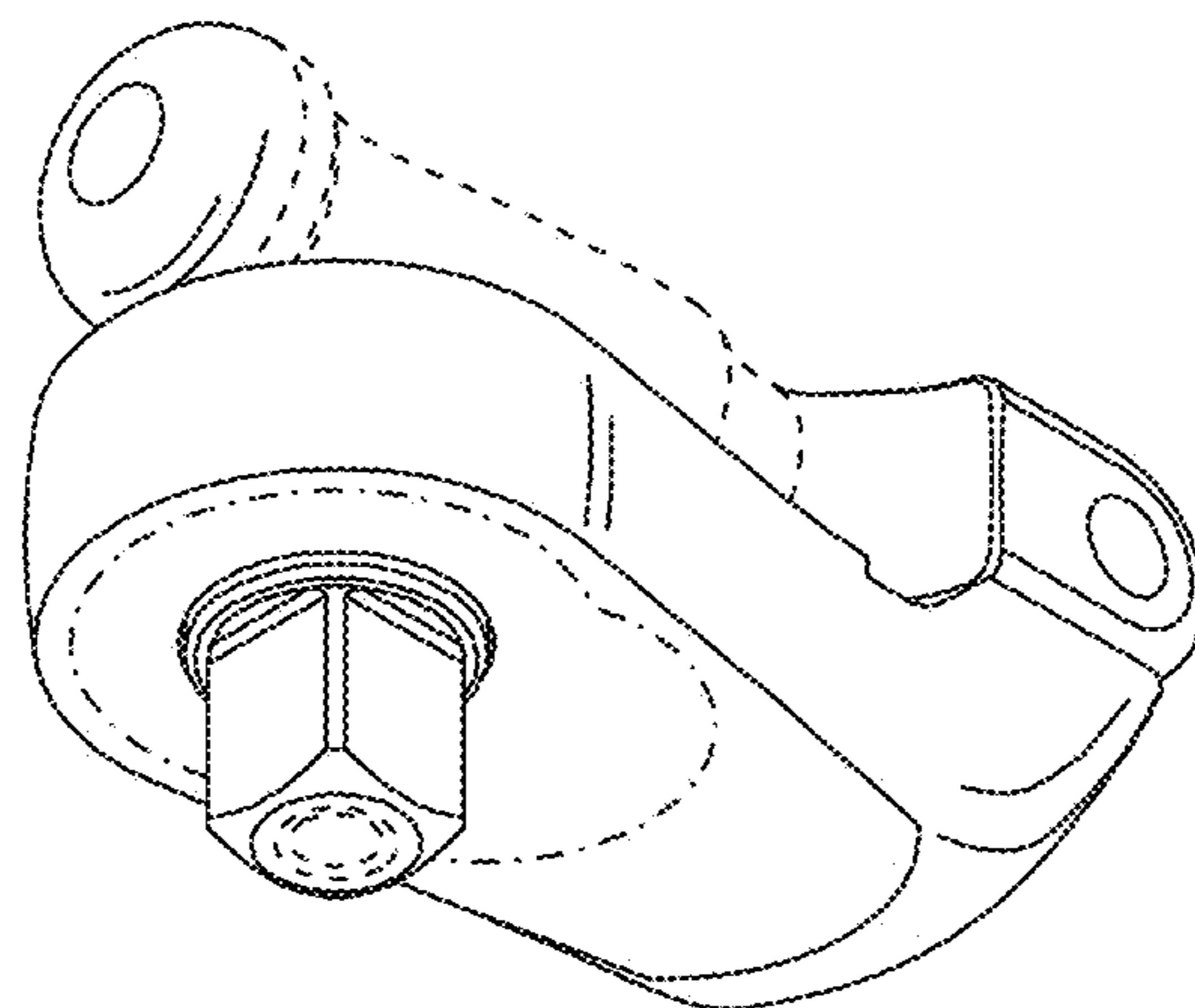


Fig. 13



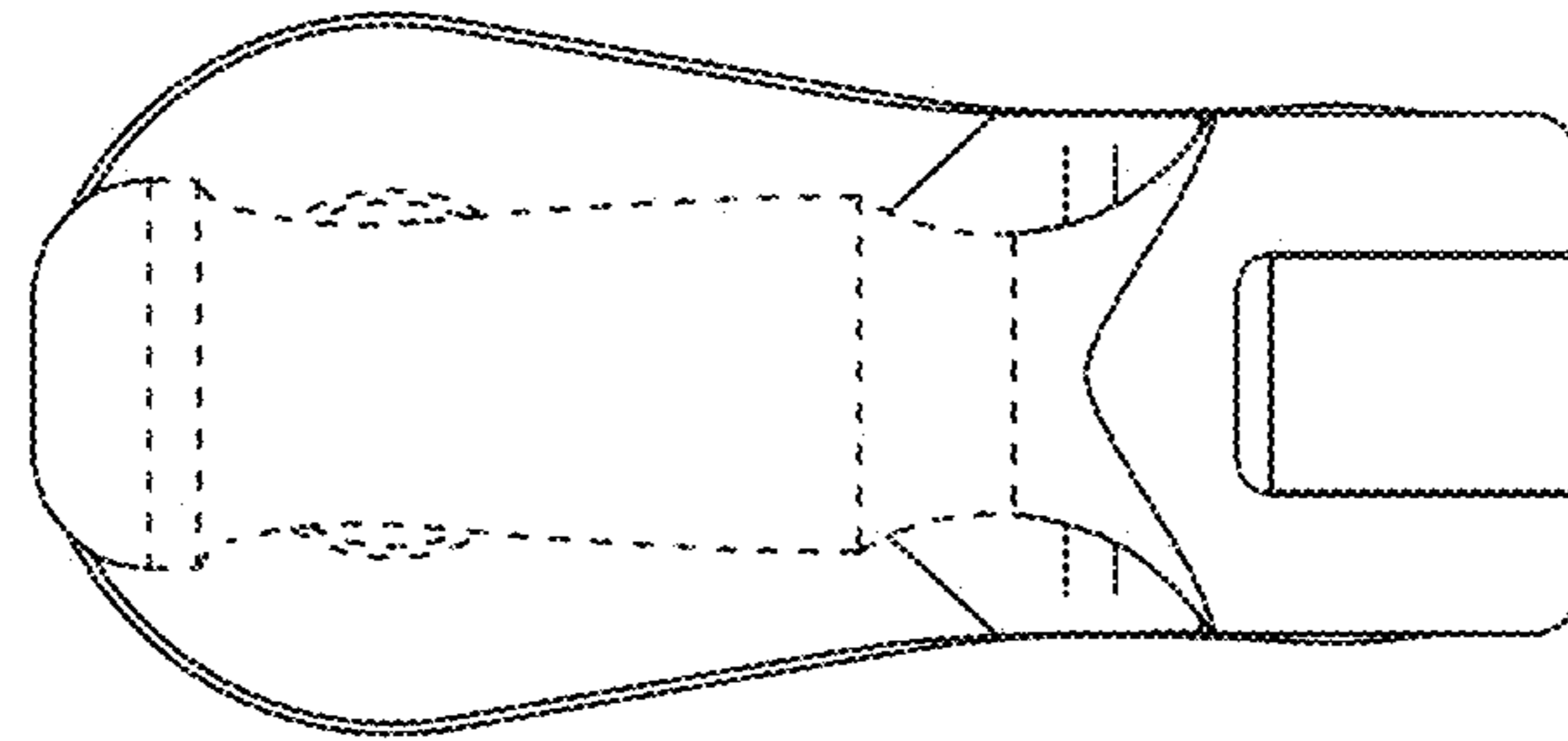


Fig. 14

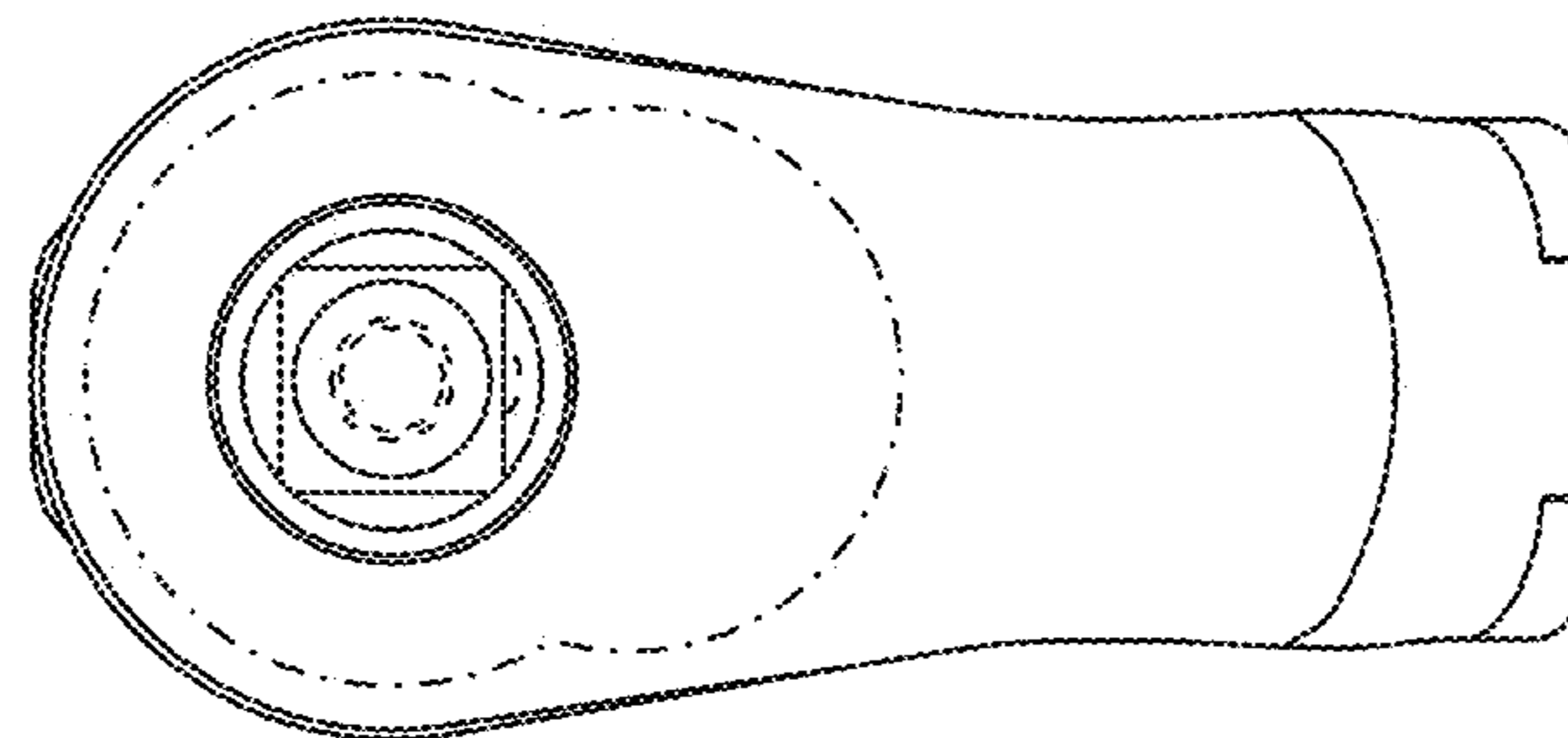


Fig. 15

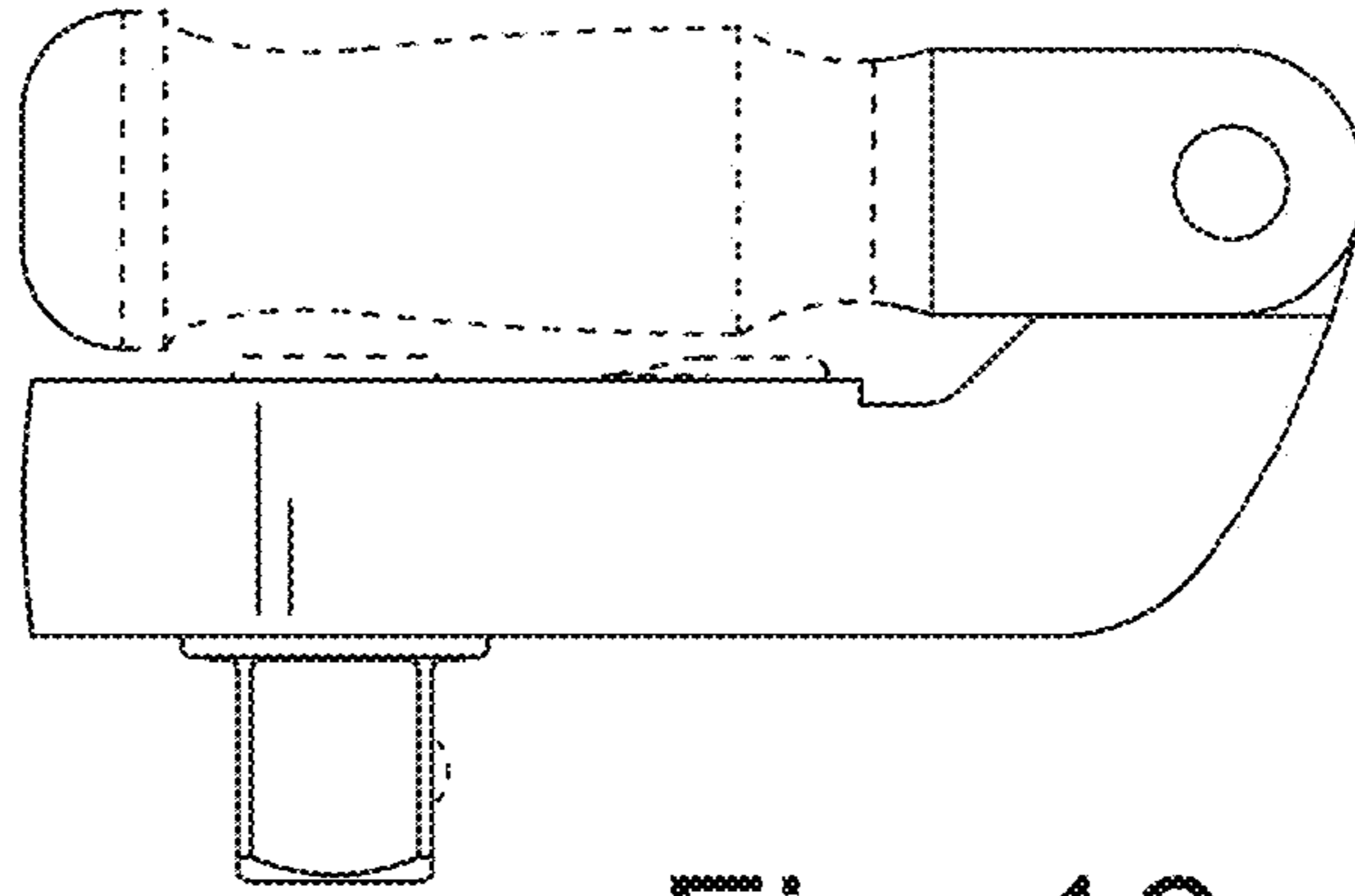


Fig. 16

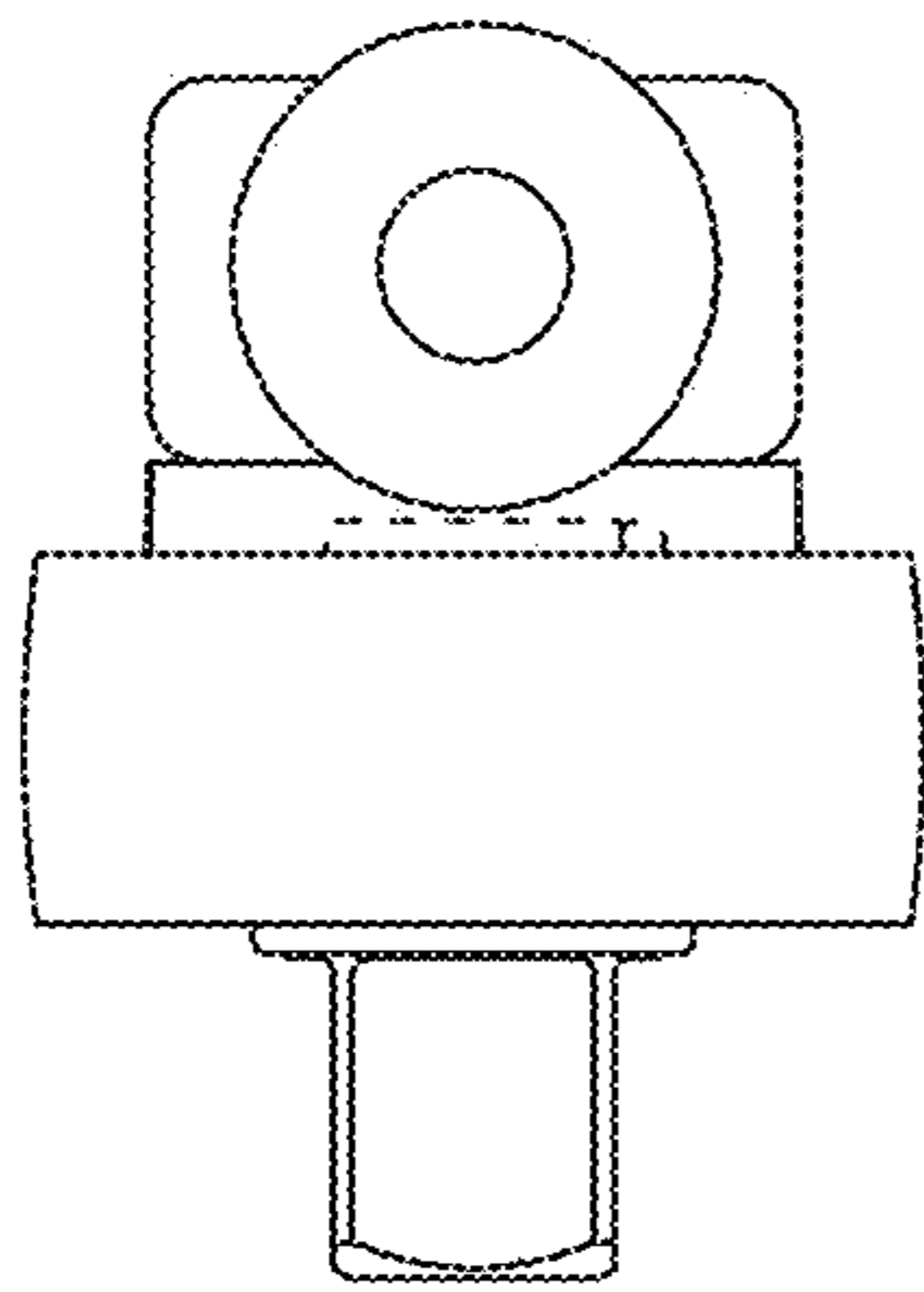


Fig. 17

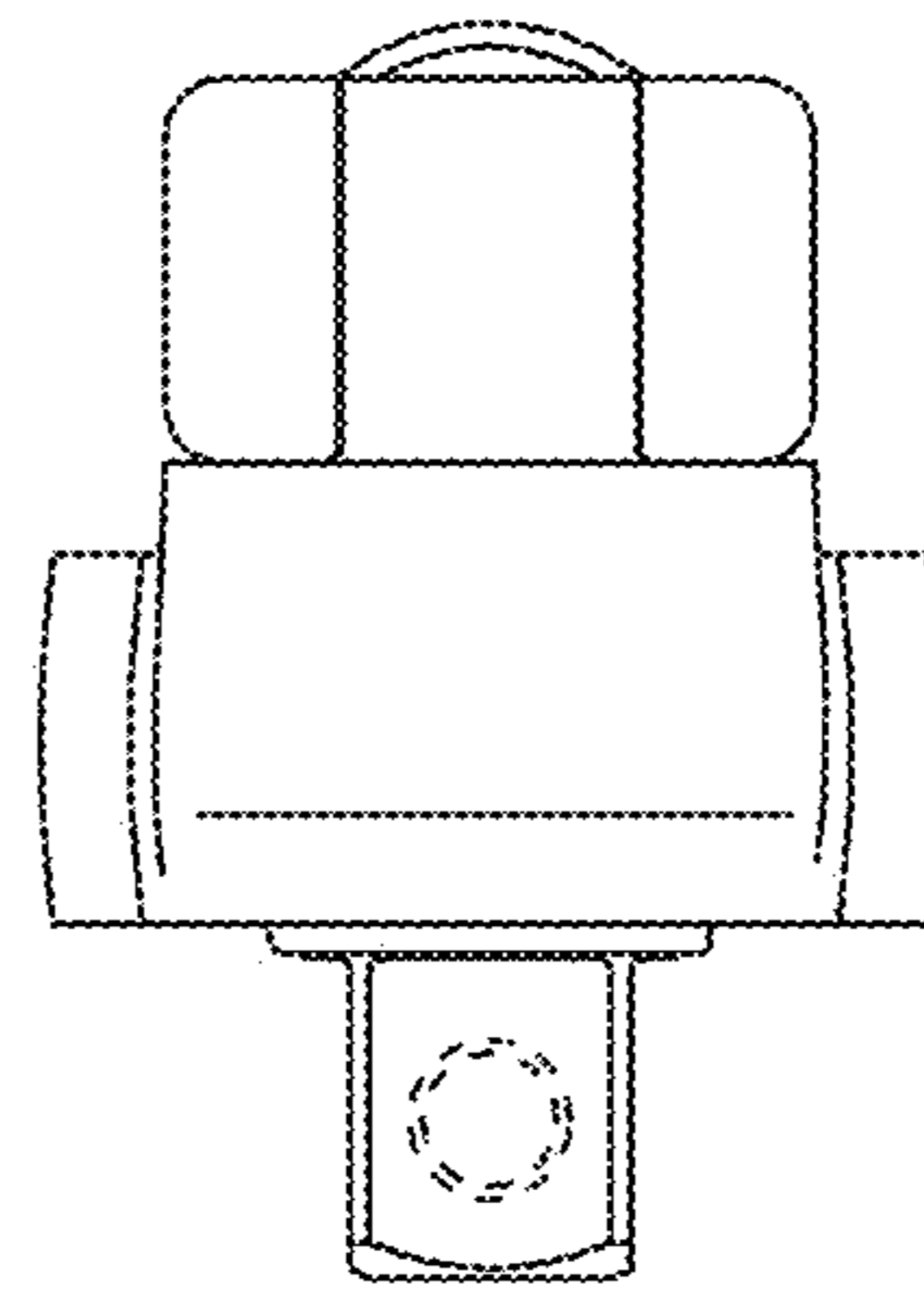


Fig. 18