



US00D965397S

(12) **United States Design Patent** (10) **Patent No.:** **US D965,397 S**
Dai (45) **Date of Patent:** **** Oct. 4, 2022**

(54) **STACKABLE TRAY**

(71) Applicant: **ShenZhen YiHong Technology Co., LTD**, Guangdong (CN)

(72) Inventor: **Yi Dai**, ShenZhen (CN)

(73) Assignee: **ShenZhen YiHong Technology CO., LTD**, Guangdong Province (CN)

(**) Term: **15 Years**

(21) Appl. No.: **29/819,985**

(22) Filed: **Dec. 19, 2021**

(51) **LOC (13) Cl.** **07-06**

(52) **U.S. Cl.**
USPC **D7/701**

(58) **Field of Classification Search**

USPC D7/701–708, 600.1–600.4, 629, 630;
D3/304, 306–314, 201, 203.1–203.8,
D3/202–206; D6/512; D9/424–432
CPC A47B 73/00; A47B 73/002; A47B 73/004;
A47B 73/006; A47B 73/008; A47B
81/04; A45C 11/20

See application file for complete search history.

(56) **References Cited**

U.S. PATENT DOCUMENTS

D192,271 S *	2/1962	Gulland	D3/313
4,577,773 A *	3/1986	Bitel	B25H 3/02 206/561
D336,408 S	6/1993	Tersch et al.		
5,370,245 A	12/1994	Tersch et al.		
D371,729 S *	7/1996	White	D7/673
D382,405 S *	8/1997	Ohayon	D19/75
D421,370 S *	3/2000	Hints	D7/701
D446,092 S *	8/2001	Cautereels	D7/701
7,004,336 B2	2/2006	Dagan		
8,714,373 B2	5/2014	Danehy		
9,586,803 B1	3/2017	Snyker		
D796,344 S	9/2017	Paulick		
10,051,979 B2	8/2018	Kuo		

(Continued)

OTHER PUBLICATIONS

Amazon.com, mDesign, Modern Plastic Stackable Water Bottle Holder Stand Bin, ASIN: B01FWPBBR8, 14 pages, date first available Mar. 8, 2017 (Year: 2017).*

(Continued)

Primary Examiner — Terry A Wallace

(74) *Attorney, Agent, or Firm* — iPA & iPM

(57) **CLAIM**

The ornamental design for a stackable tray, as shown and described.

DESCRIPTION

FIG. 1 is a perspective view from behind of a stackable tray showing my new design, with area 13 further enlarged in FIG. 13;

FIG. 2 is a perspective front view thereof;

FIG. 3 is a front view thereof;

FIG. 4 is a back view thereof;

FIG. 5 is a left side view thereof;

FIG. 6 is a right side view thereof;

FIG. 7 is a top view thereof;

FIG. 8 is a bottom view thereof;

FIG. 9 is a perspective view of a plurality of trays stacking onto one another;

FIG. 10 is a perspective view from behind of a second embodiment of a stackable tray with a degree of transparency;

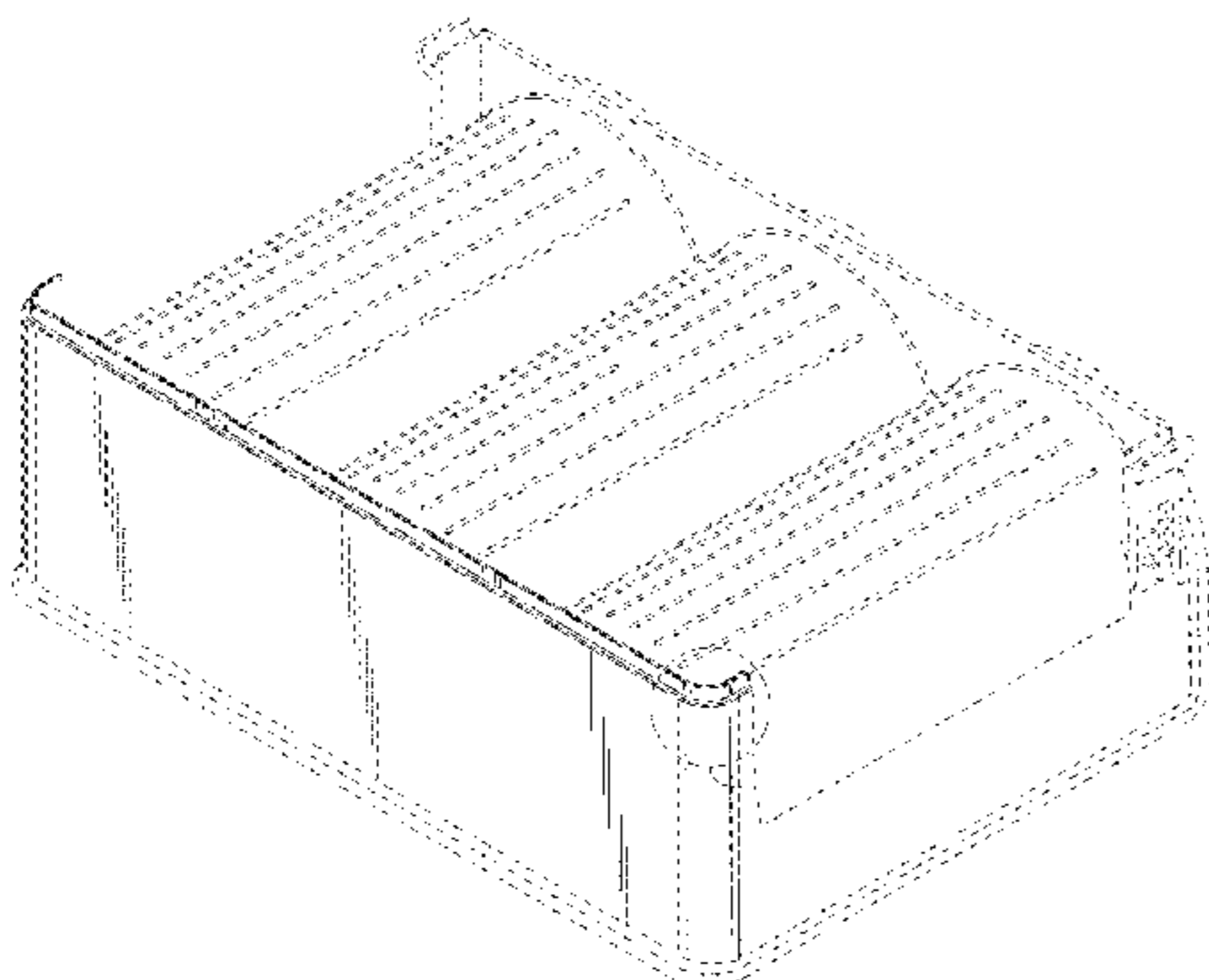
FIG. 11 is a perspective front view thereof;

FIG. 12 is a perspective view of a plurality of transparent trays stacking onto on another; and,

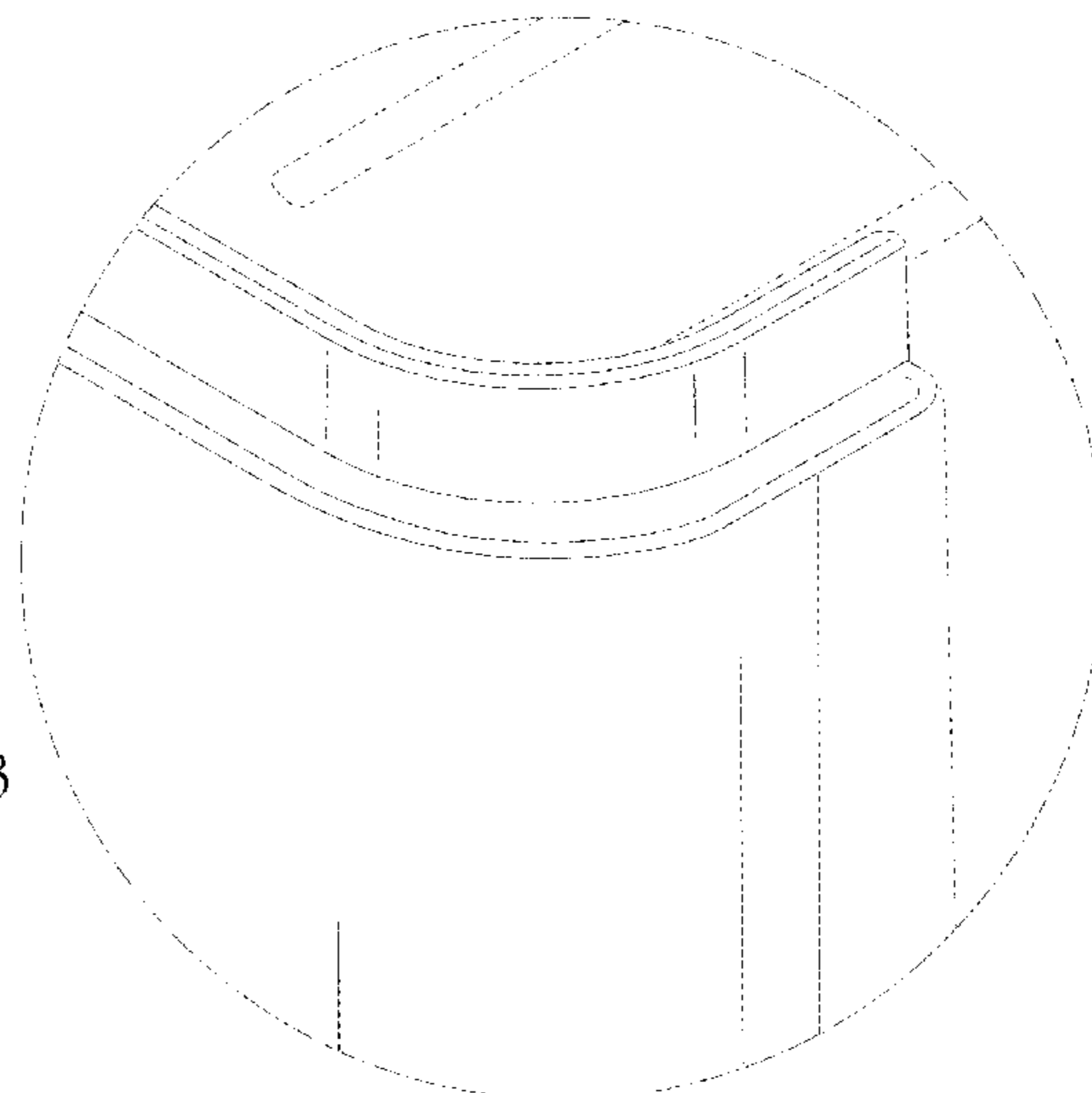
FIG. 13 is an enlarged perspective view of area 13 from FIG. 1.

Broken lines illustrate environmental elements that form no part of the claimed design.

1 Claim, 8 Drawing Sheets



13



(56)

References Cited

U.S. PATENT DOCUMENTS

D839,694 S 2/2019 Pollard
D848,152 S 5/2019 Martínez Layseca et al.
2005/0269277 A1 12/2005 Su
2013/0008864 A1 1/2013 Davis et al.
2013/0026121 A1* 1/2013 Thompson A47J 47/16
211/85.18

OTHER PUBLICATIONS

Amazon.com, mDesign, MetroDecor Plastic Stackable Tea Bag Storage Organization, ASIN: B08KY7QC5J, 14 pages, date first available Oct. 8, 2020 (Year: 2020).*

* cited by examiner

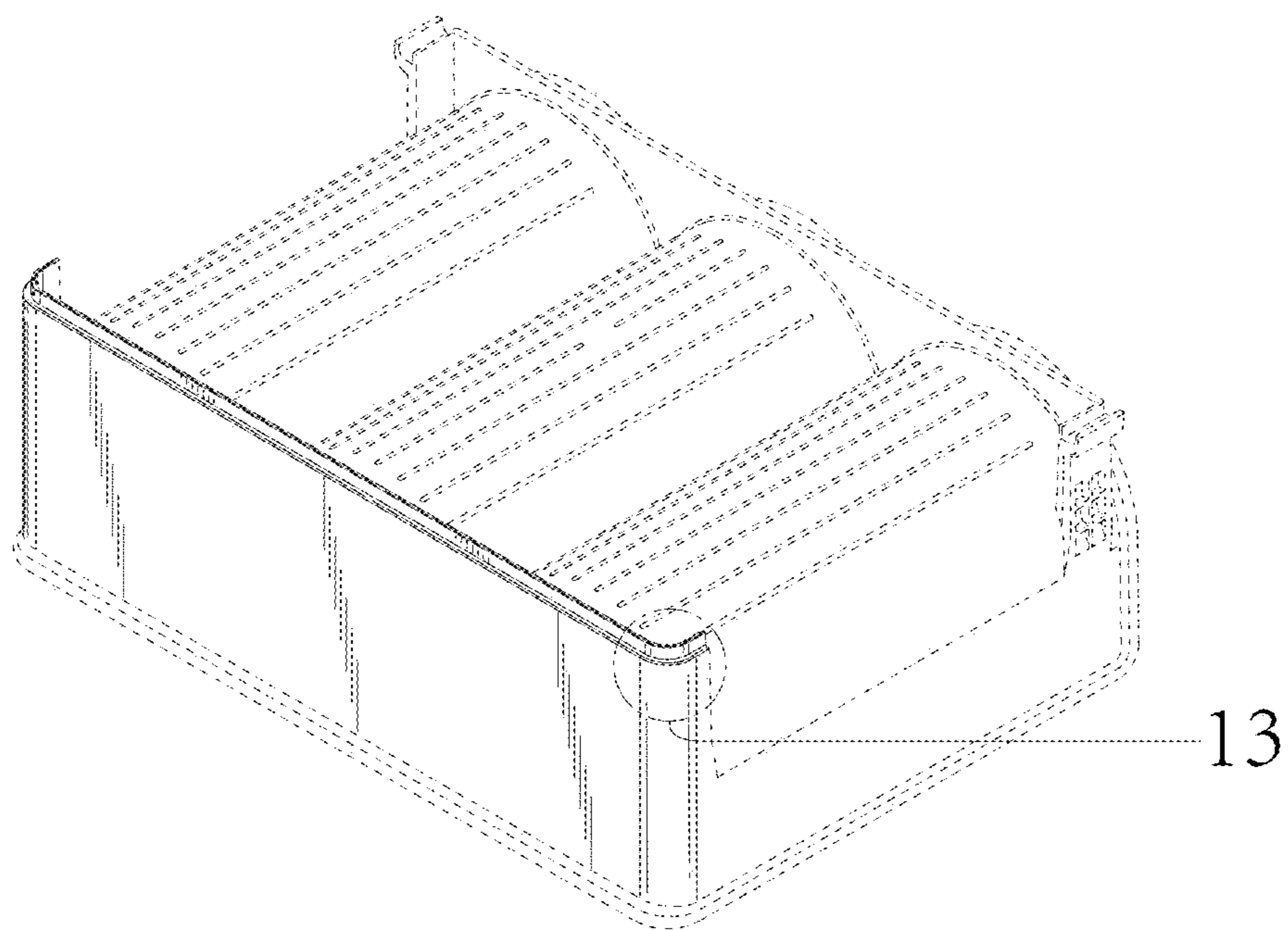


FIG. 1

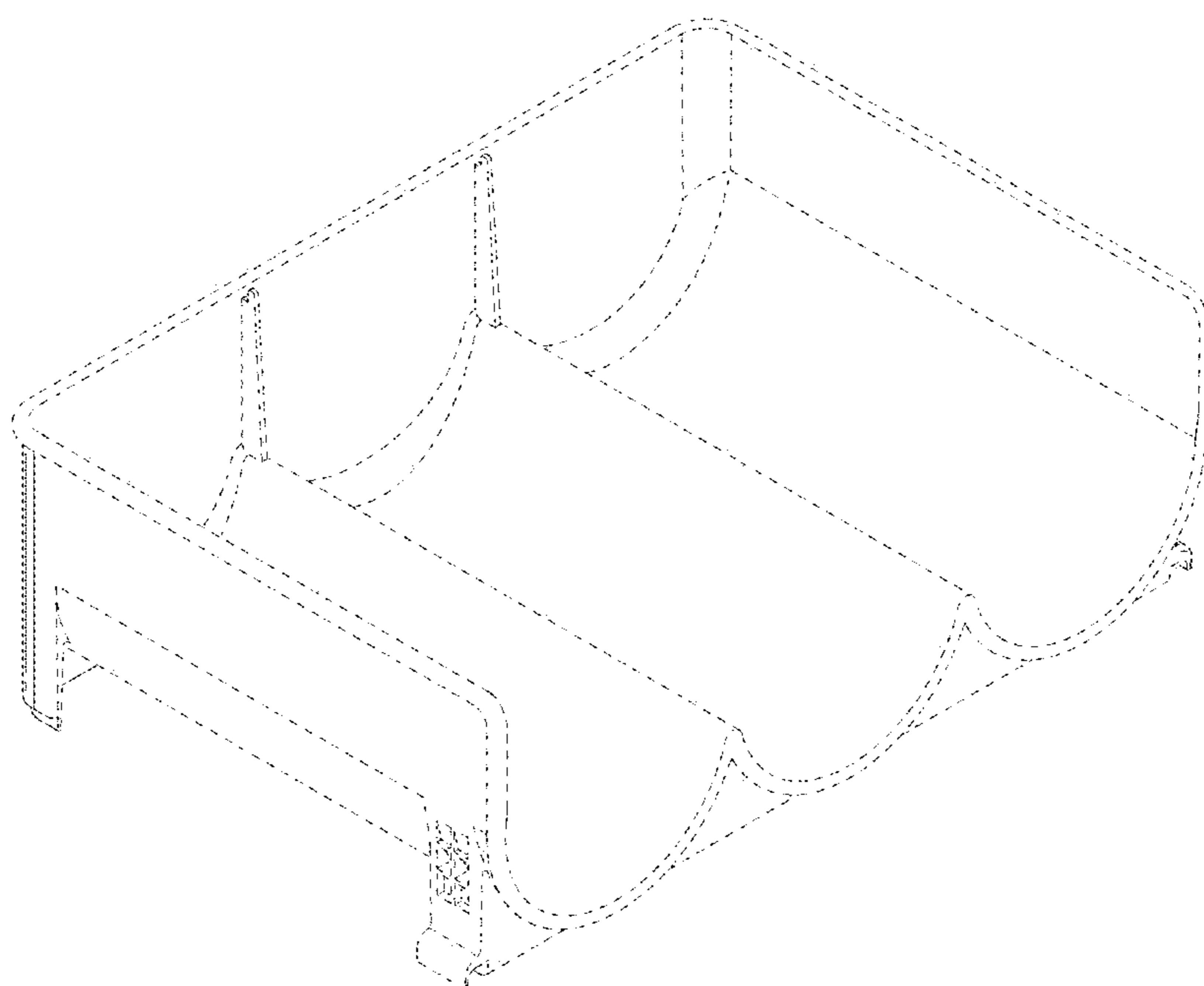


FIG. 2

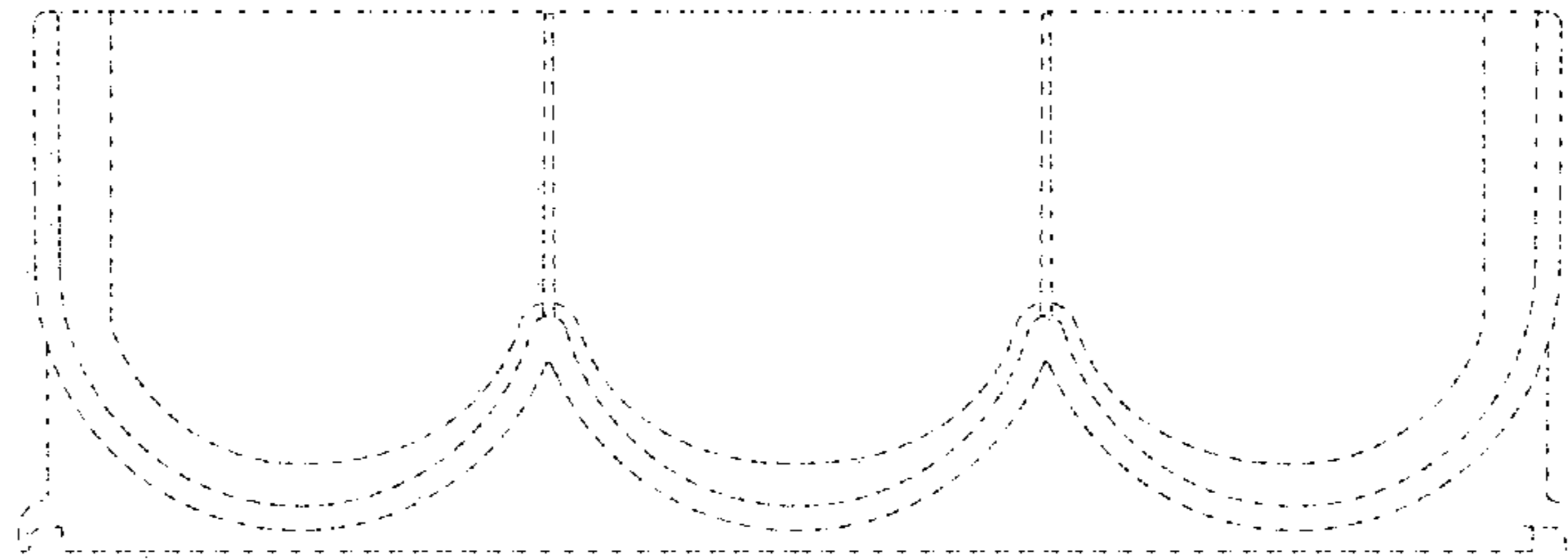


FIG. 3

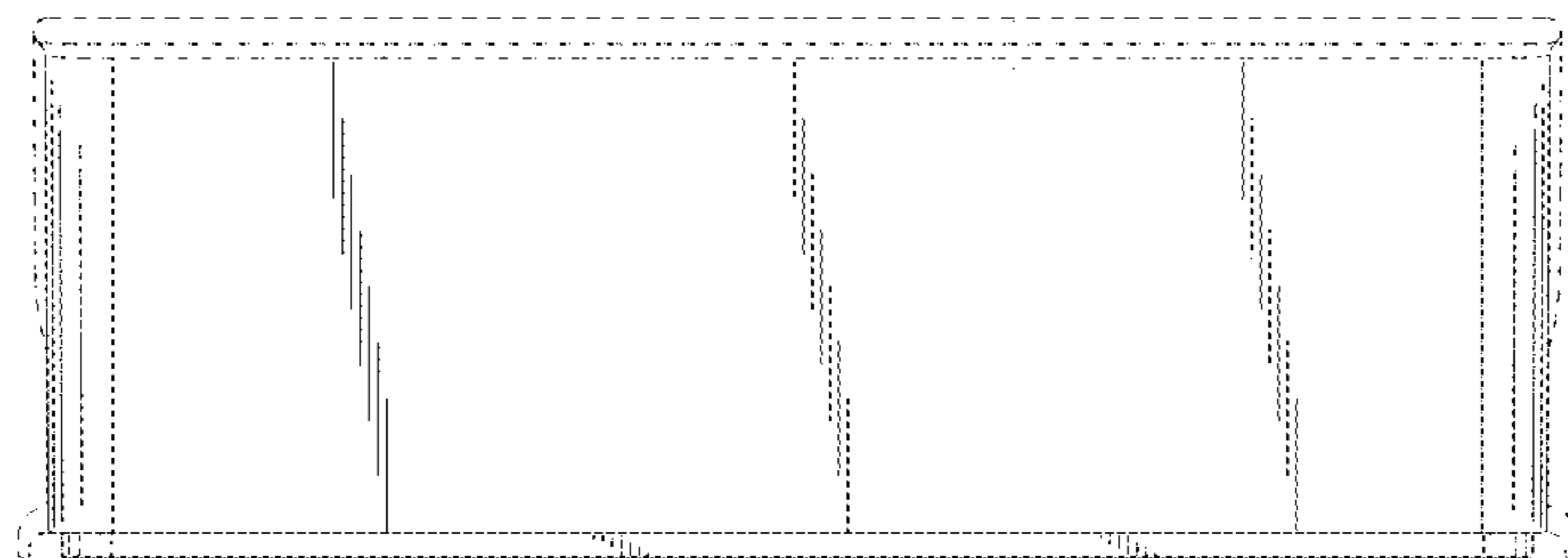


FIG. 4

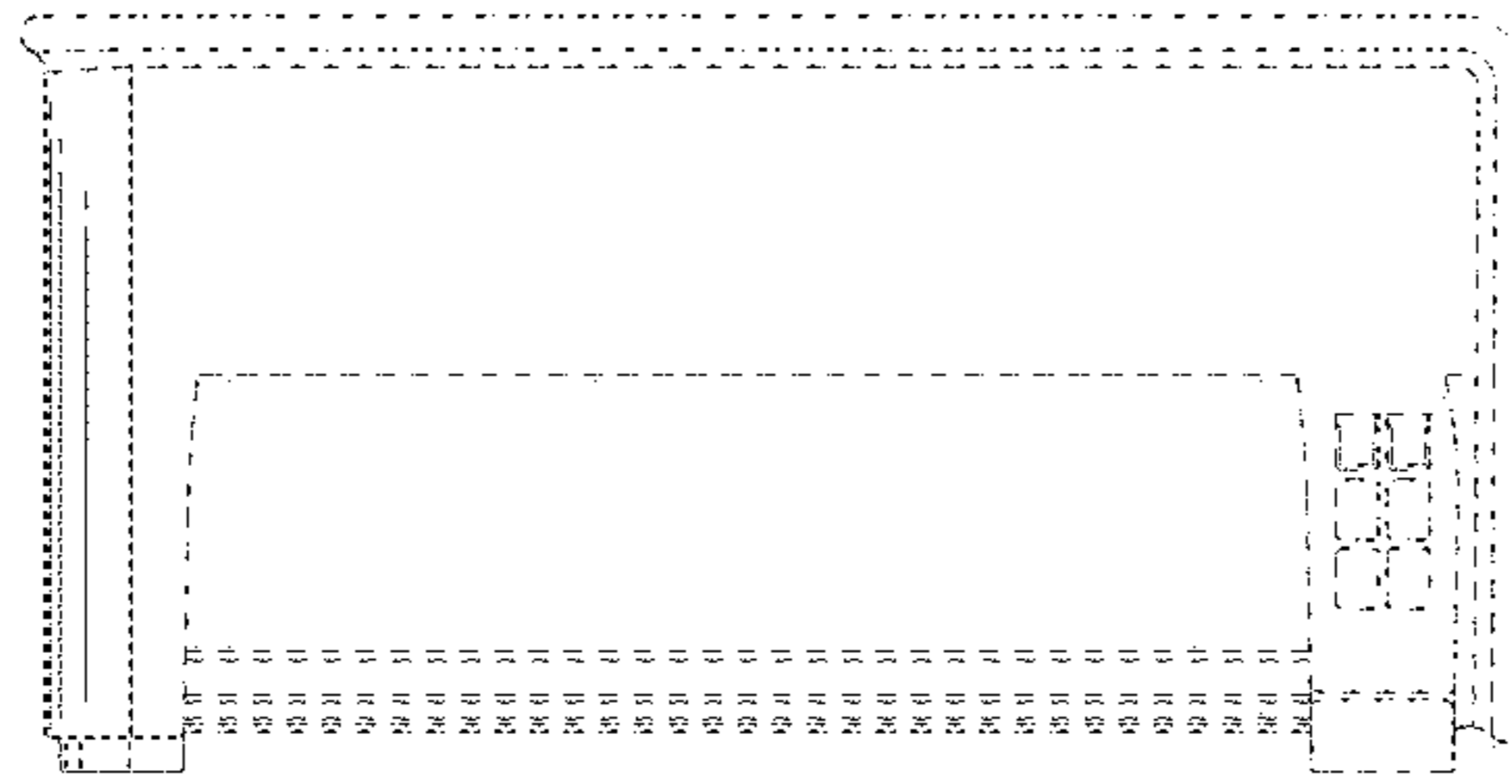


FIG. 5

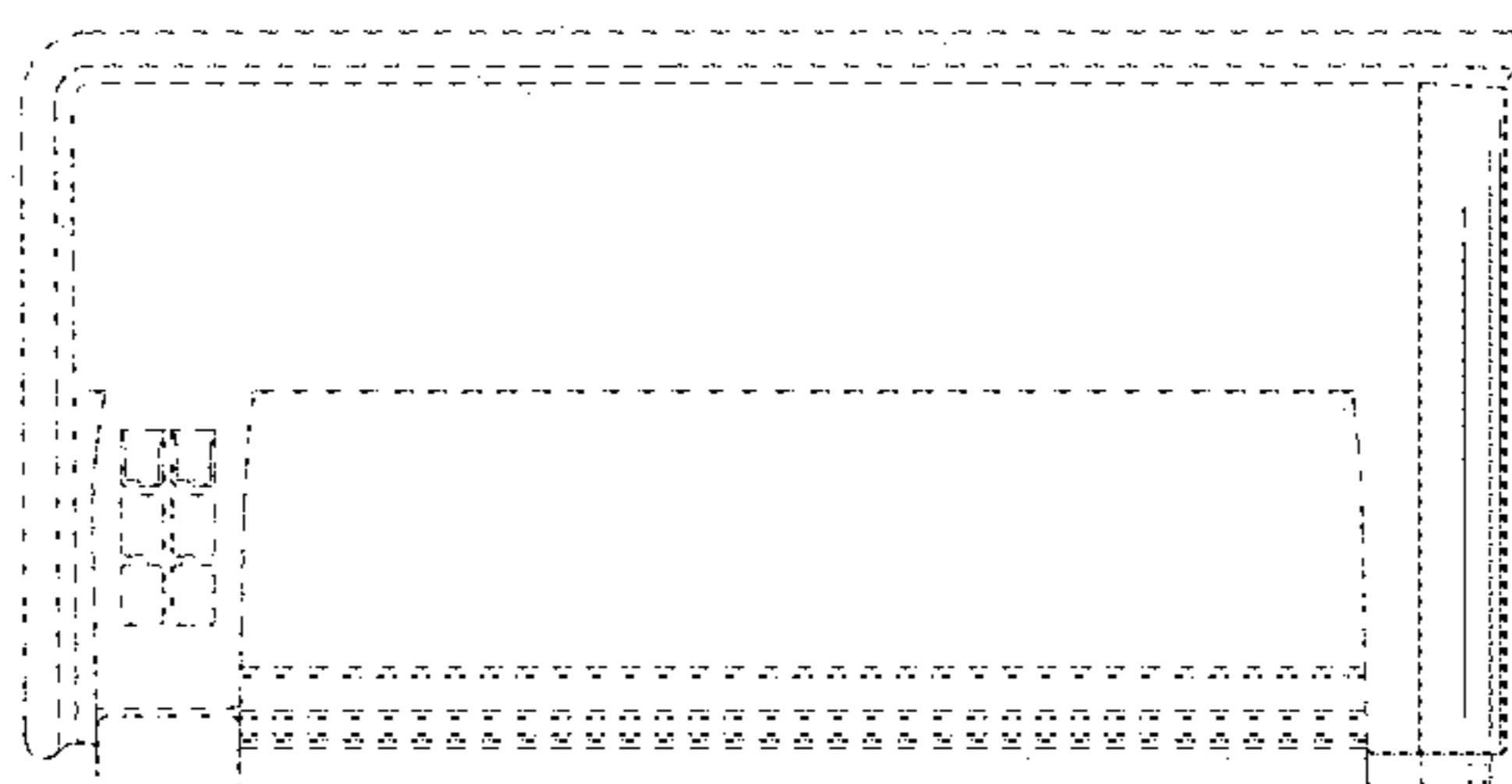


FIG. 6

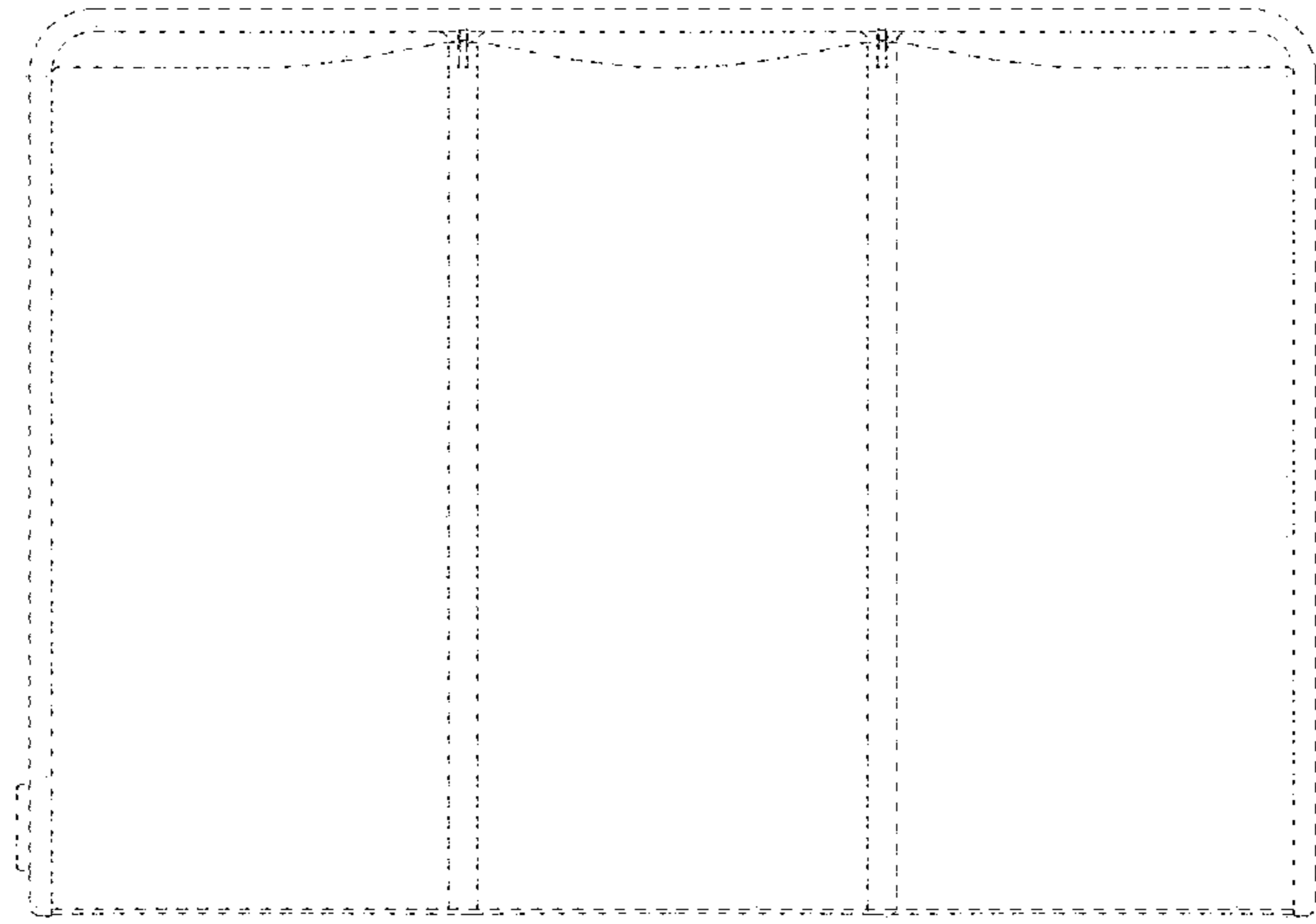


FIG. 7

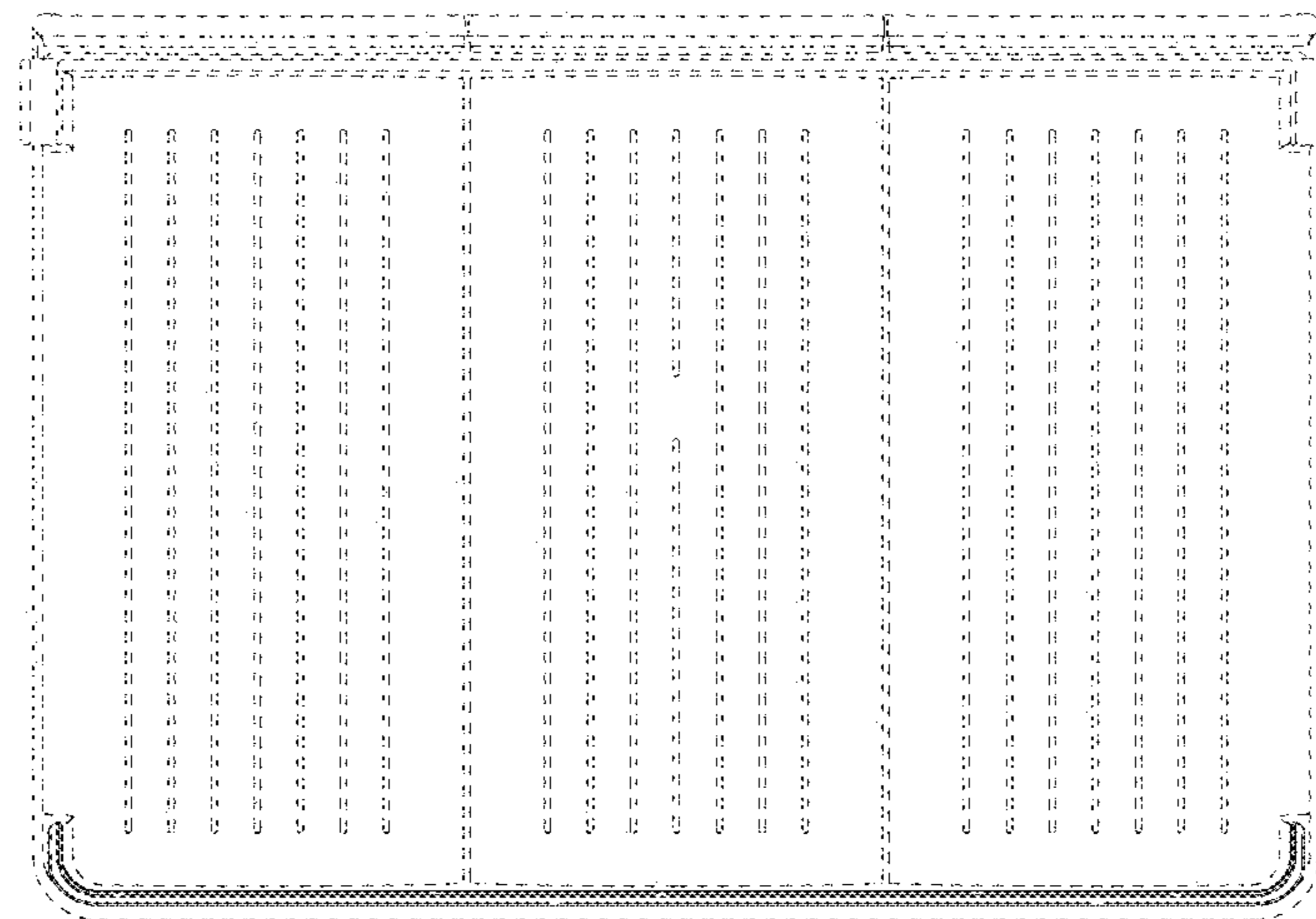


FIG. 8

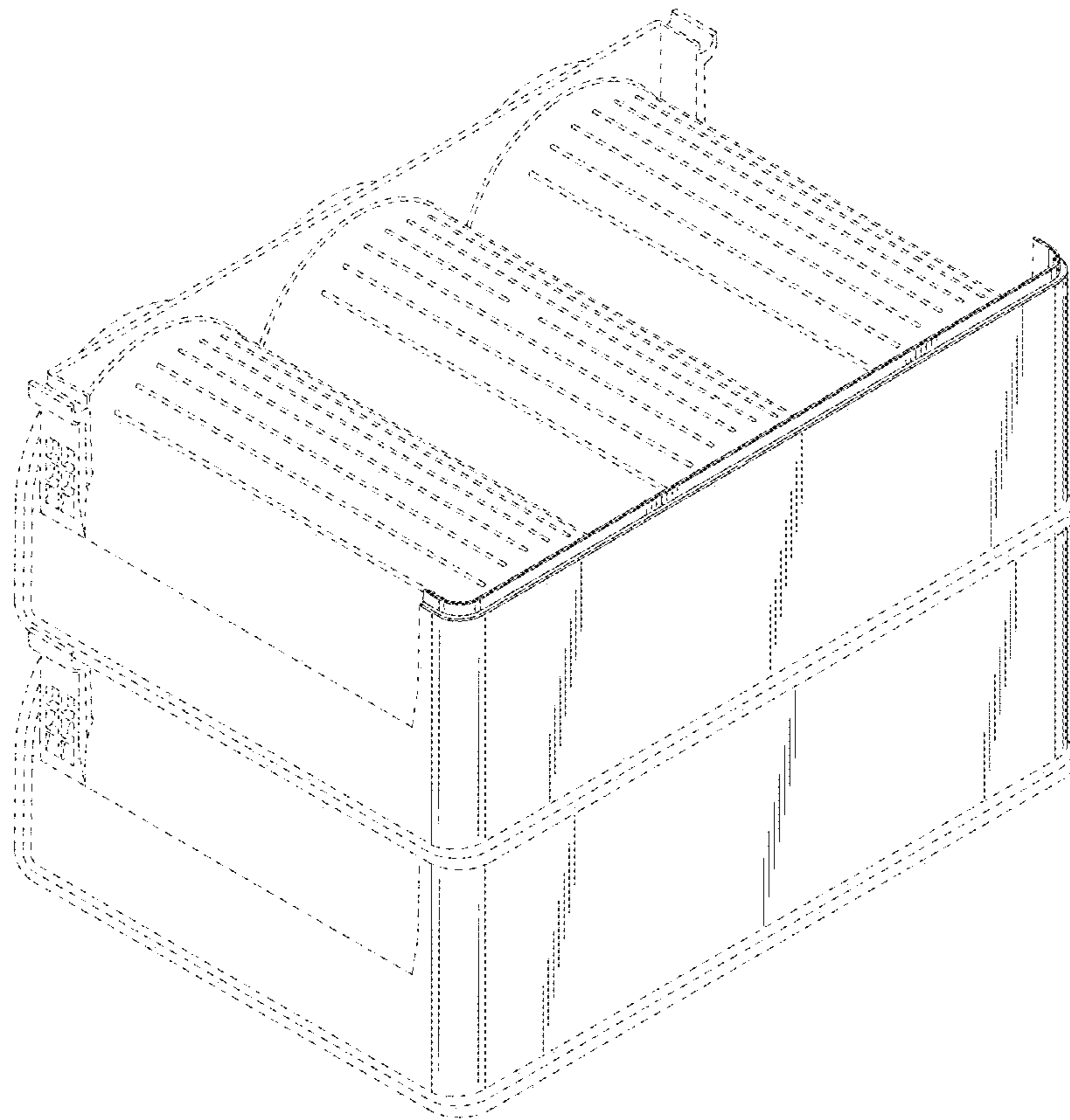


FIG. 9

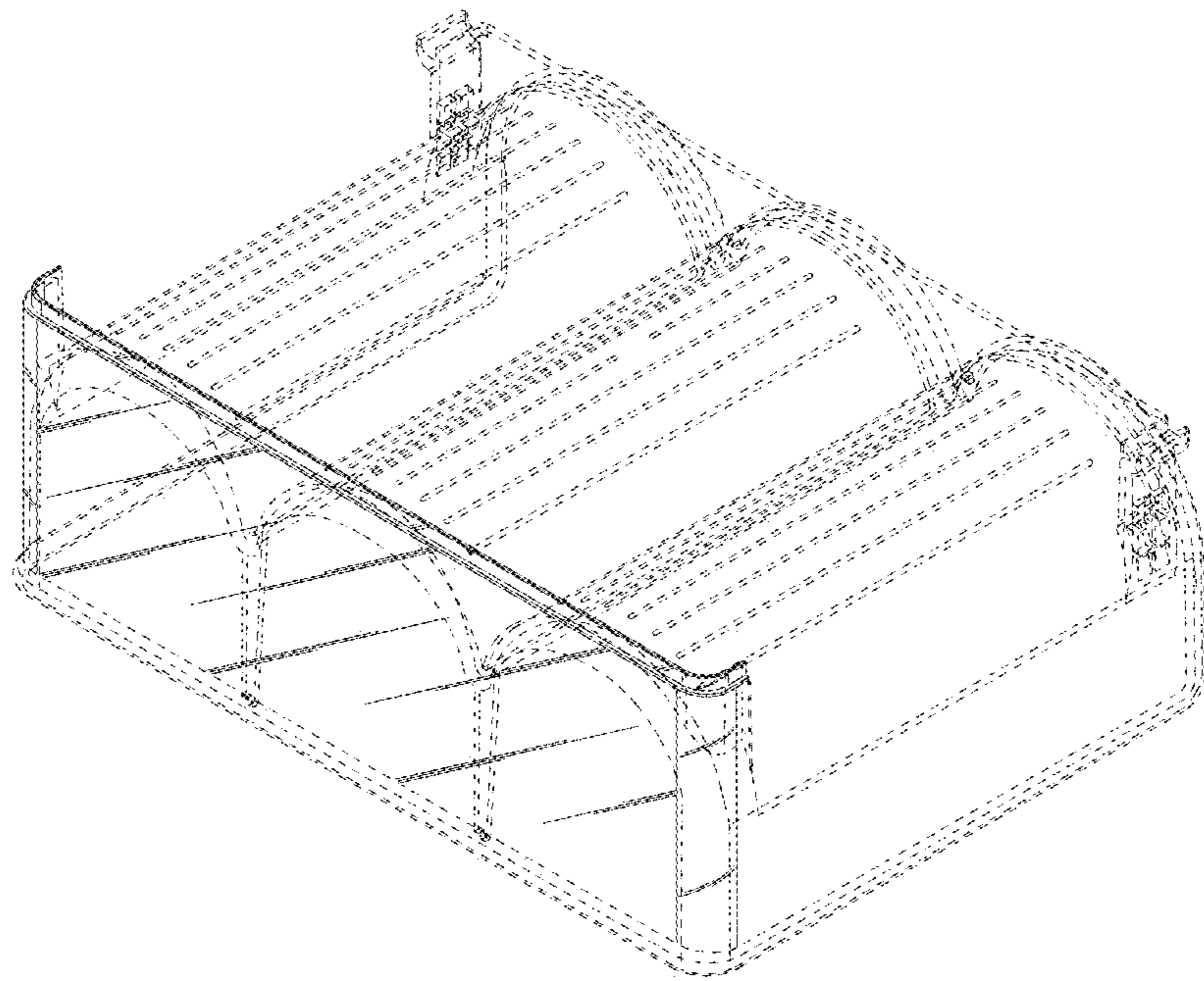


FIG. 10

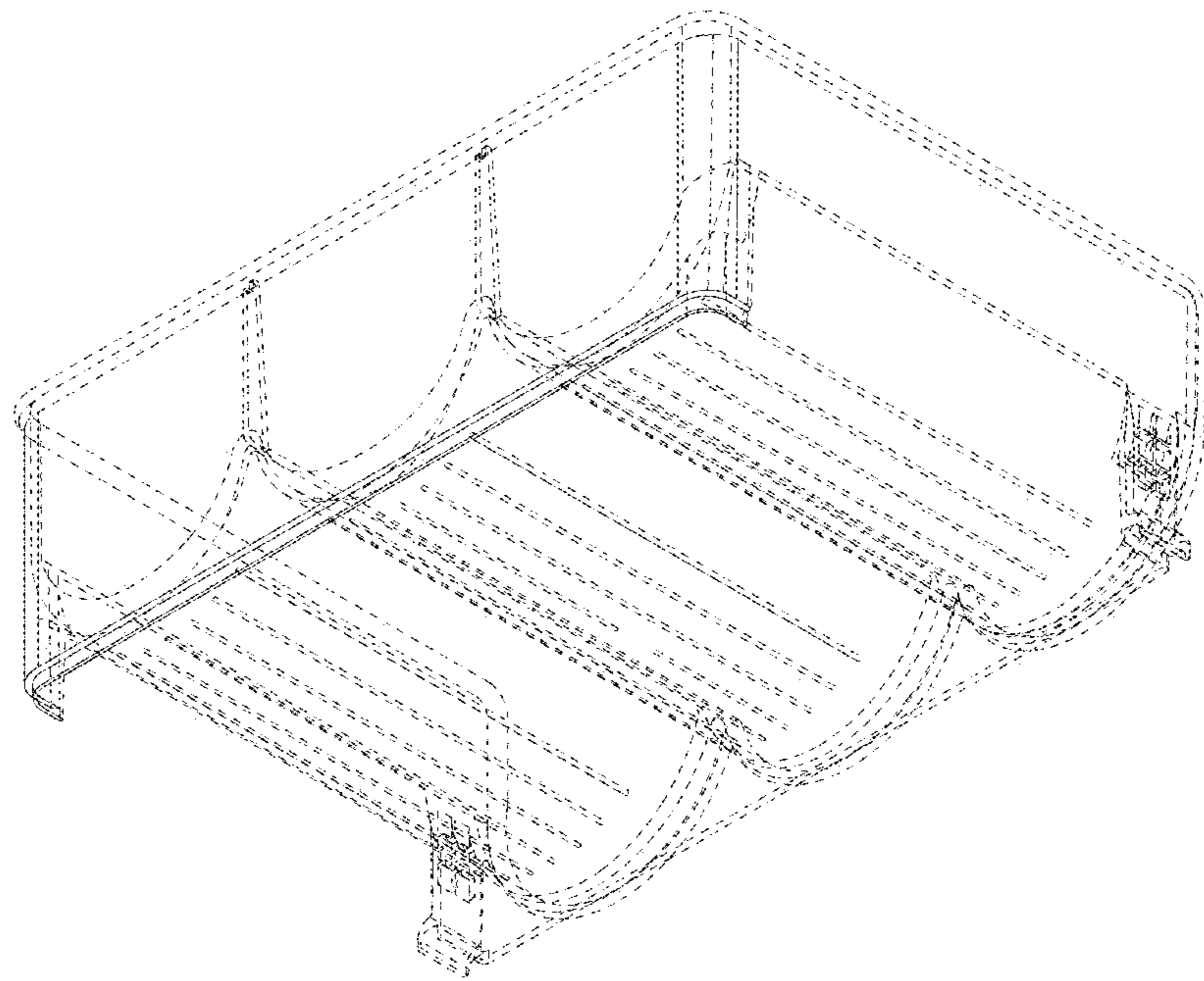


FIG. 11

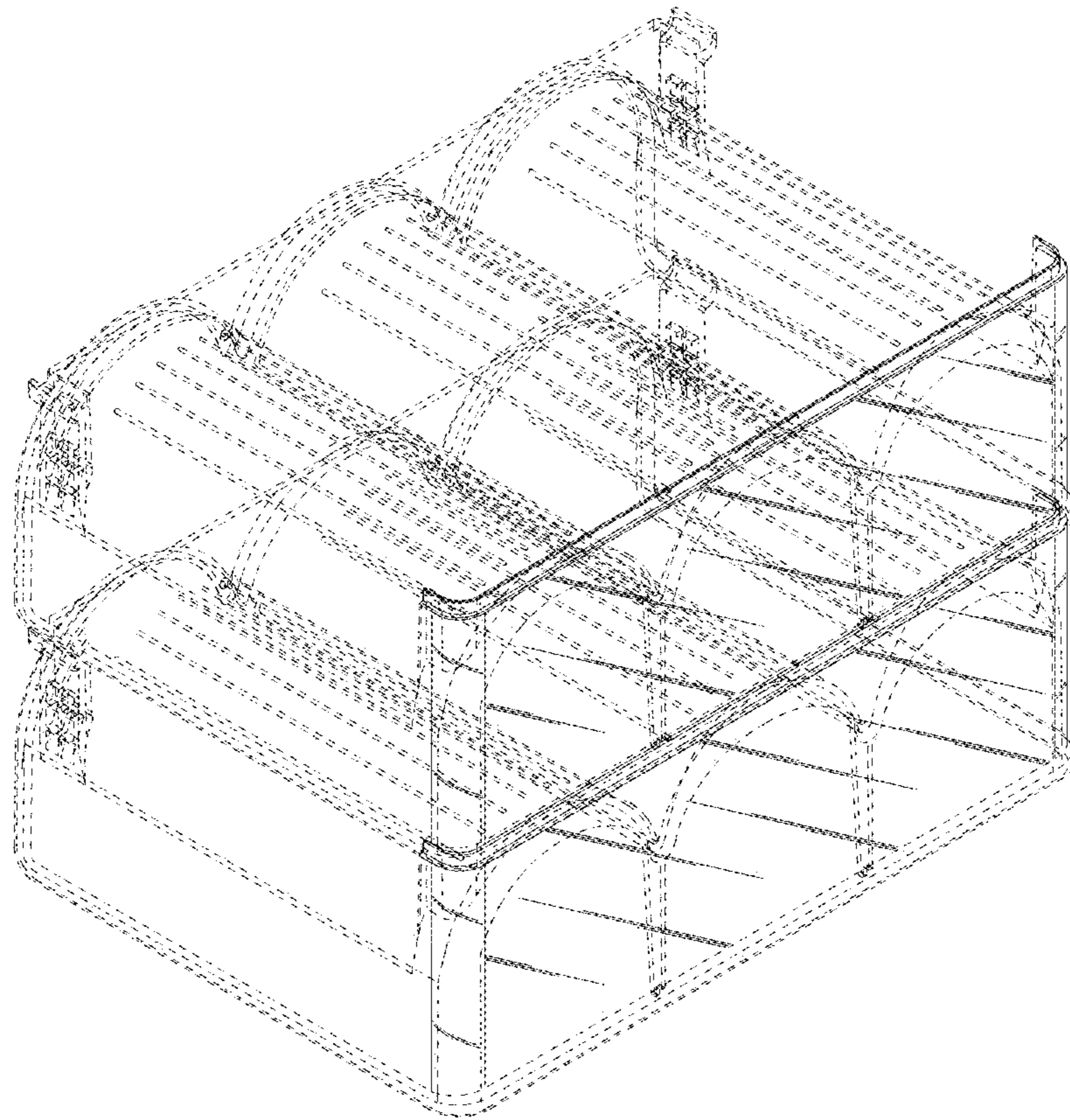


FIG.12

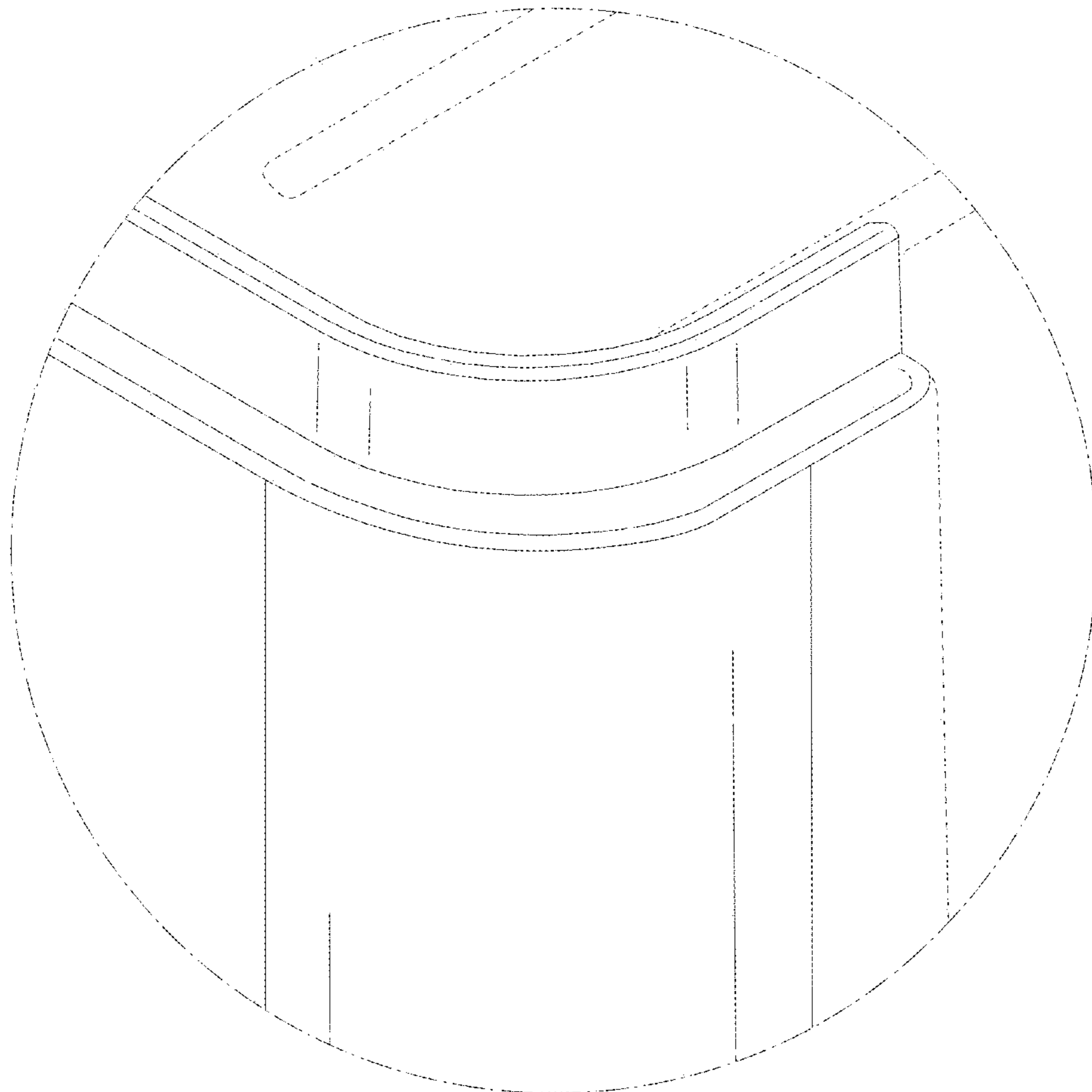


FIG.13