



US00D965396S

(12) **United States Design Patent** (10) **Patent No.:** **US D965,396 S**
Xie (45) **Date of Patent:** **** Oct. 4, 2022**

(54) **CHEESE BOARD**
(71) Applicant: **Zhongyi Xie**, Guangdong (CN)
(72) Inventor: **Zhongyi Xie**, Guangdong (CN)
(**) Term: **15 Years**
(21) Appl. No.: **29/838,945**
(22) Filed: **May 17, 2022**
(51) **LOC (13) Cl.** **07-04**
(52) **U.S. Cl.**
USPC **D7/698**
(58) **Field of Classification Search**
USPC .. D7/543, 549, 550.1, 554.3, 586, 698-699;
D10/87; D32/55-57
CPC A47J 47/00; A47J 47/005; A47J 47/20;
B26D 7/0006; B26D 7/018; B26D 7/20;
B23D 21/00; B23K 37/04; B23K 37/053;
B23Q 16/001; B65D 71/72; A45C 11/20
See application file for complete search history.

D909,154 S * 2/2021 Whitlock D7/698
D910,387 S * 2/2021 Bhargava D7/698
D939,297 S 12/2021 Li
D939,298 S 12/2021 Li
D941,102 S 1/2022 Whitlock
D946,364 S 3/2022 Wang
2005/0039607 A1* 2/2005 Comfield A47J 47/005
99/324
2010/0012616 A1* 1/2010 Guy A45C 11/20
29/700

OTHER PUBLICATIONS

Olelo Acacia & Ceramics Collapsible Cheese Board and Knife Set.
Date First Available on Amazon.com Sep. 28, 2021. <https://www.amazon.com/dp/B09HCP1FPX/ref> (Year: 2021).*

* cited by examiner

Primary Examiner — Ricky Pham

(57) **CLAIM**

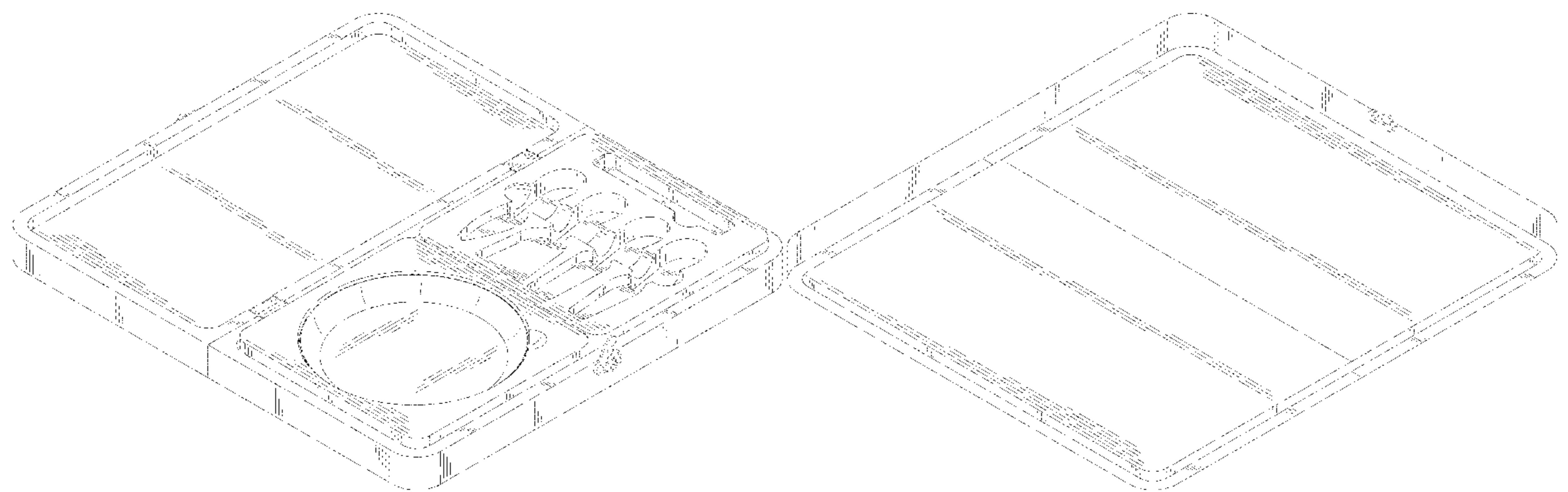
The ornamental design for a cheese board, as shown and described.

DESCRIPTION

FIG. 1 is a front perspective view of a cheese board showing my new design.
FIG. 2 is a rear perspective view of a cheese board.
FIG. 3 is a front view of a cheese board.
FIG. 4 is a rear view of a cheese board.
FIG. 5 is a left side view of a cheese board.
FIG. 6 is a right side view of a cheese board.
FIG. 7 is a top view of a cheese board.
FIG. 8 is a bottom view of a cheese board; and,
FIG. 9 is a sectional view of a cheese board.
Any shading is not features of the design but is utilized to illustrate the surface contours of the cheese board design in the drawings.
The broken lines illustrate portions of the cheese board that form no part of the claimed design.

1 Claim, 9 Drawing Sheets

(56) **References Cited**
U.S. PATENT DOCUMENTS
3,148,636 A * 9/1964 Blomquist B65D 71/72
108/26
D327,200 S * 6/1992 Szablak D7/550.1
6,371,470 B1 * 4/2002 Ward A47J 47/005
269/302.1
D505,347 S * 5/2005 Huang D10/87
D576,449 S 9/2008 Boudewijns
D587,031 S * 2/2009 Pourounidis A47J 47/005
D7/698
D655,939 S * 3/2012 Tracy D7/698
D667,267 S 9/2012 Kushner et al.
D687,269 S 8/2013 Guy
D695,113 S 12/2013 Biery
D760,558 S * 7/2016 Whitlock D7/699
D785,451 S 5/2017 Biery
D846,363 S 4/2019 Agahian
D883,044 S * 5/2020 Poon D7/698
D906,067 S * 12/2020 Alsofi D7/698



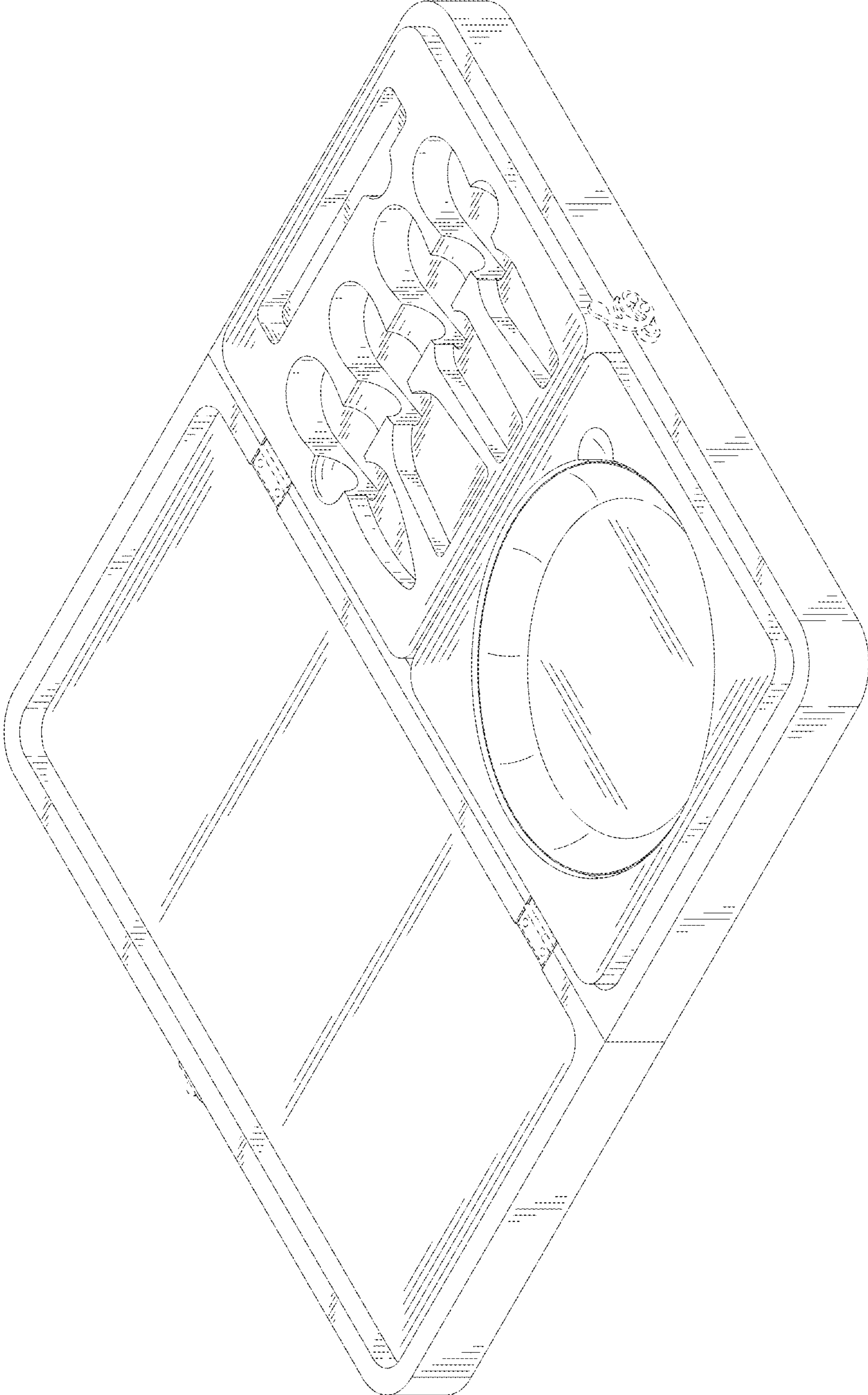


FIG. 1

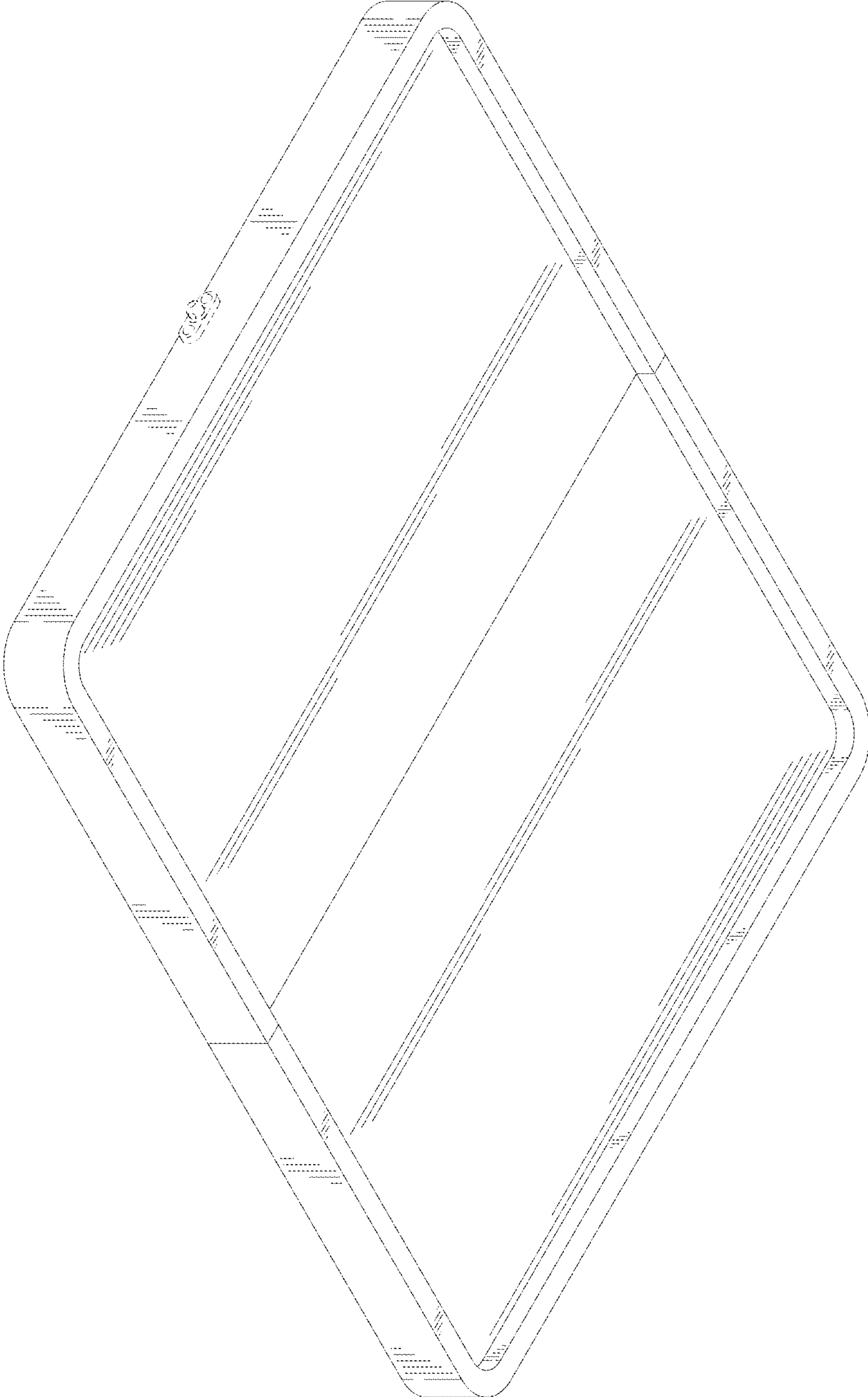


FIG. 2

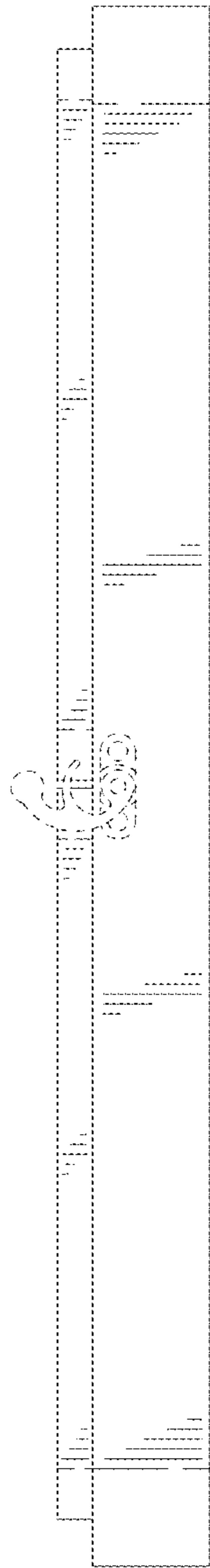


FIG. 3

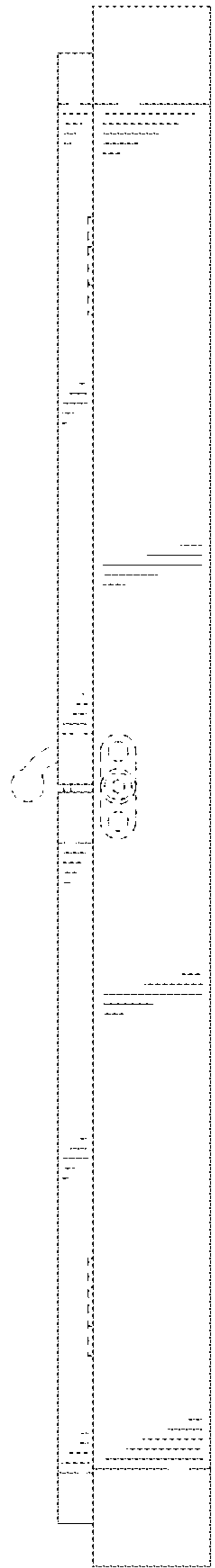


FIG. 4

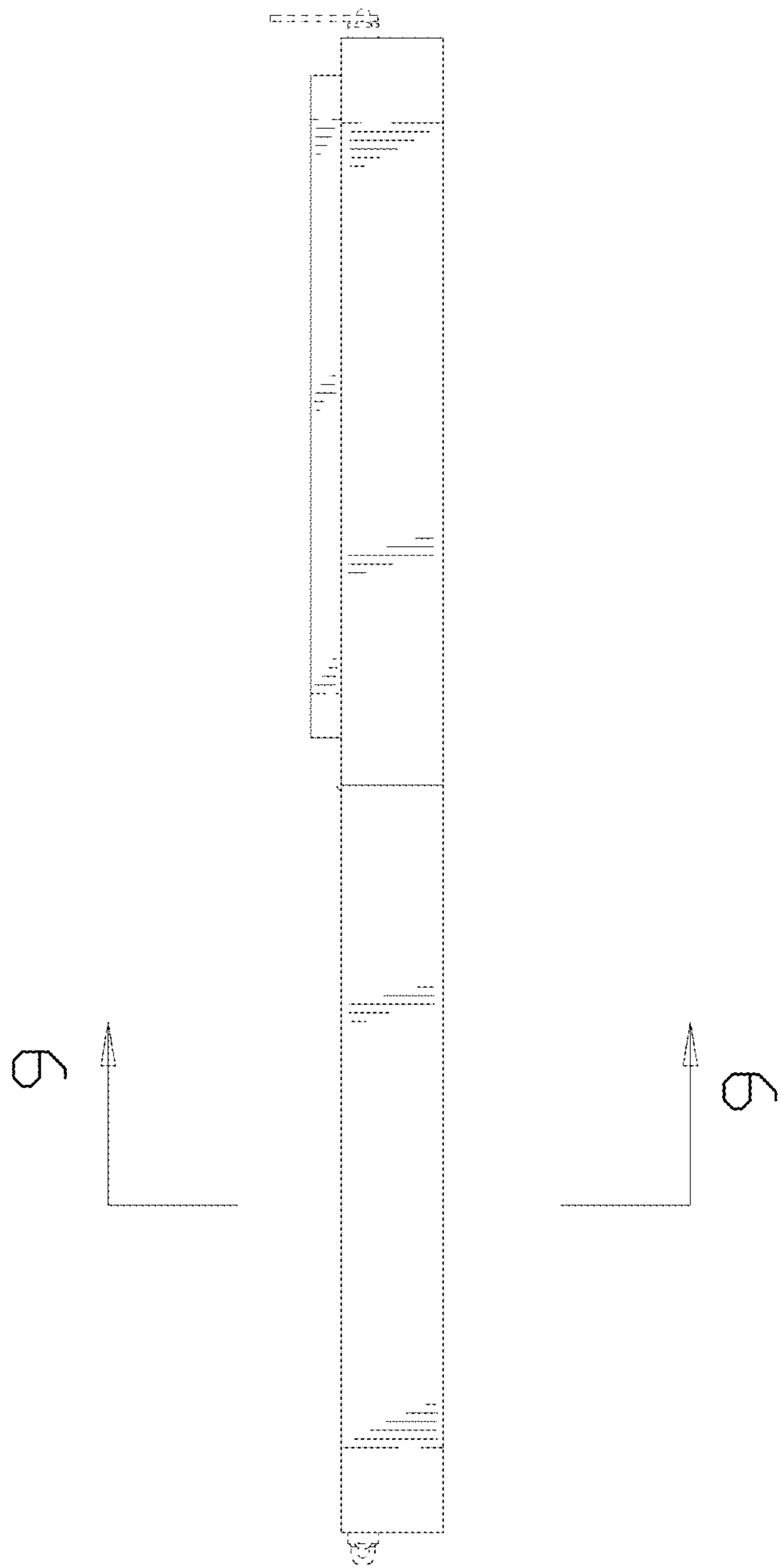


FIG. 5

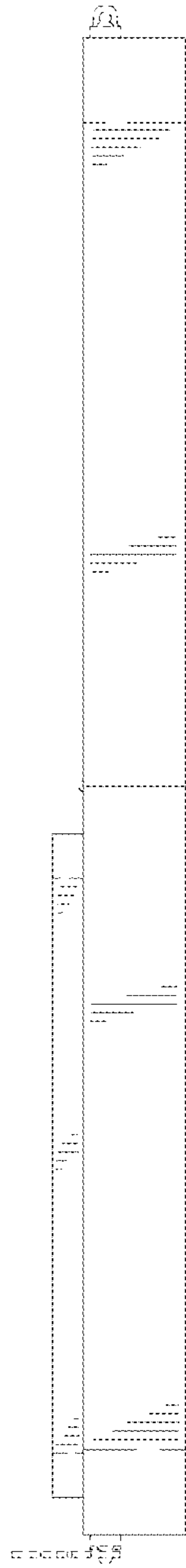


FIG. 6

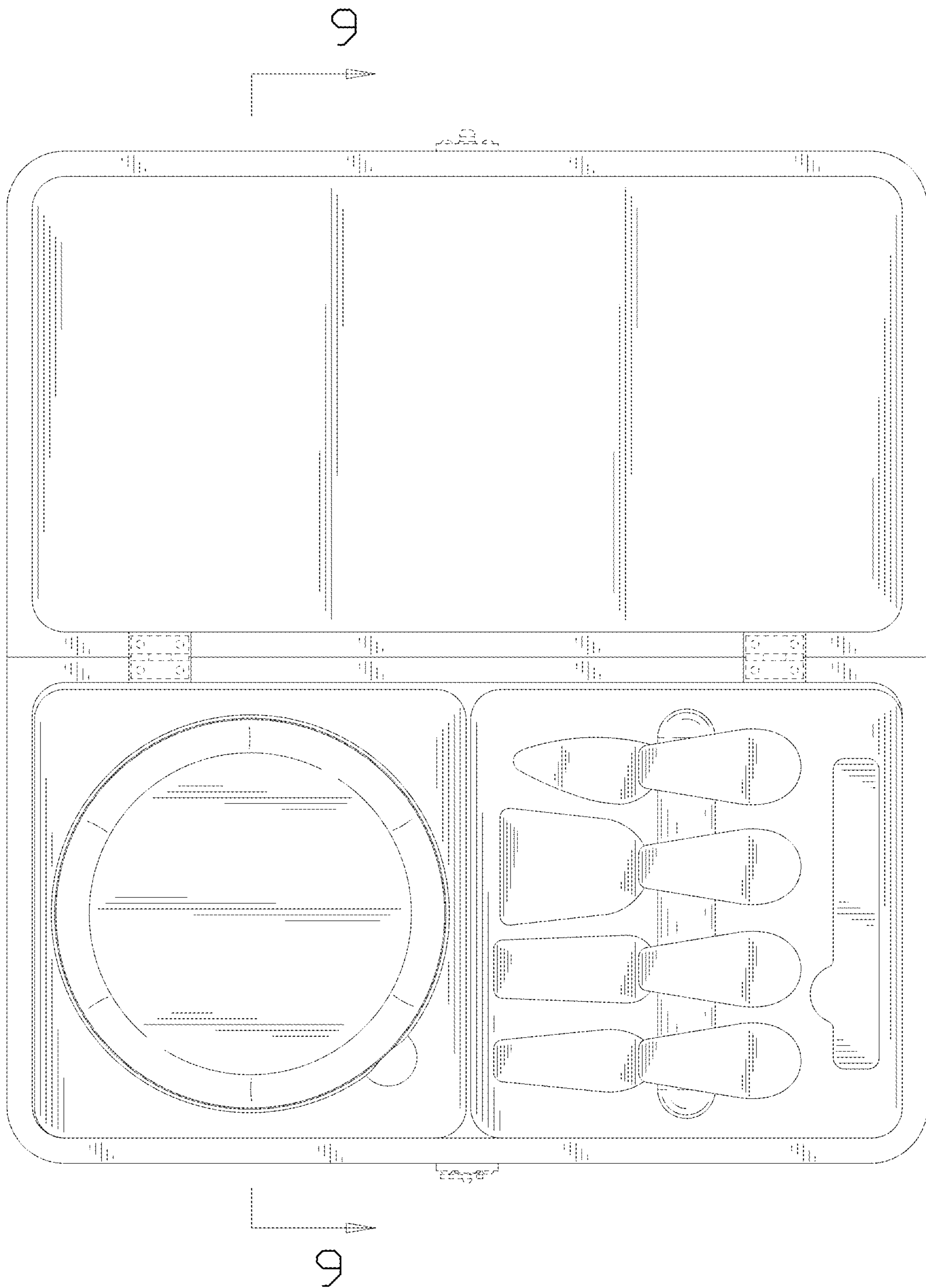


FIG. 7

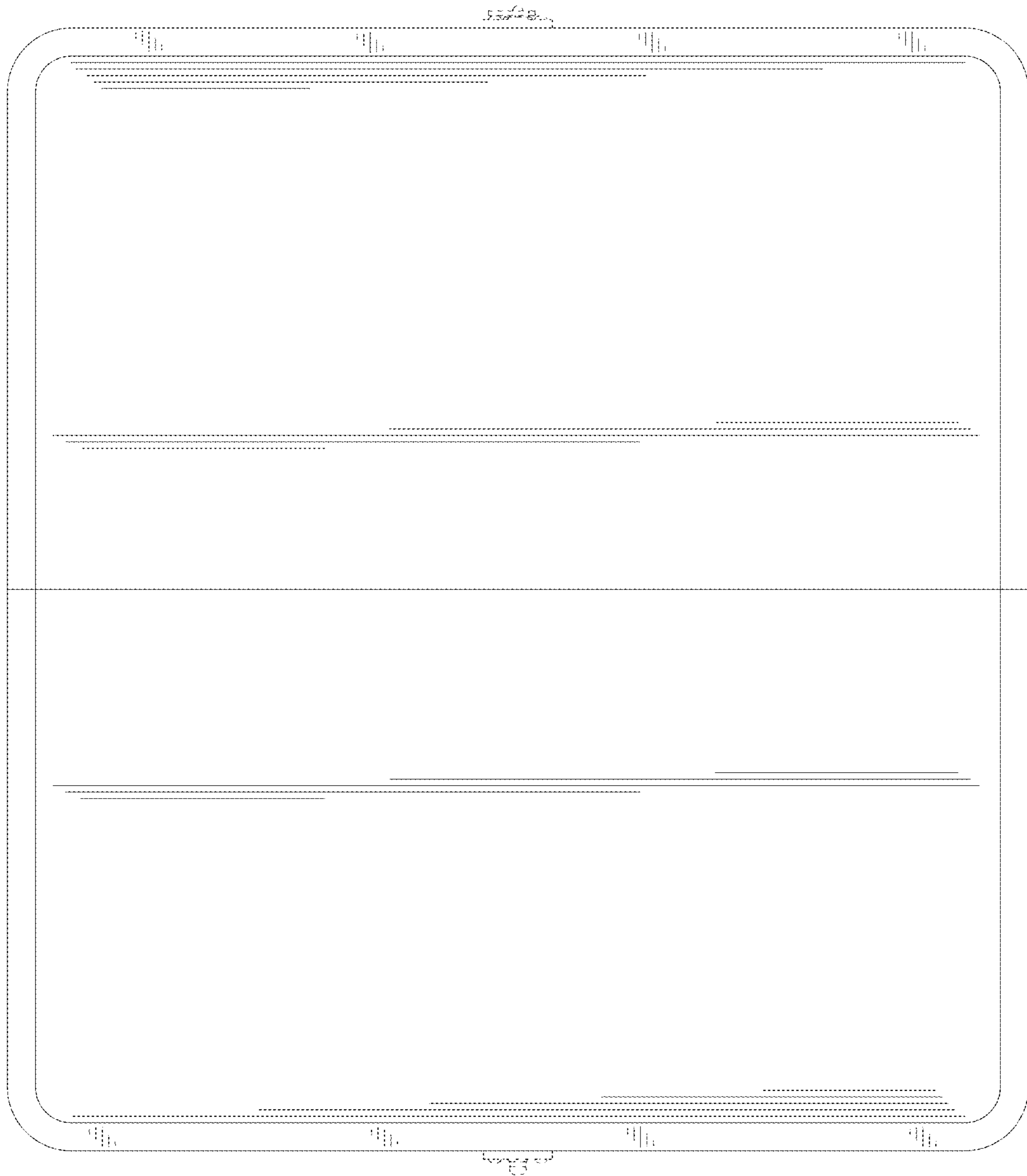


FIG. 8

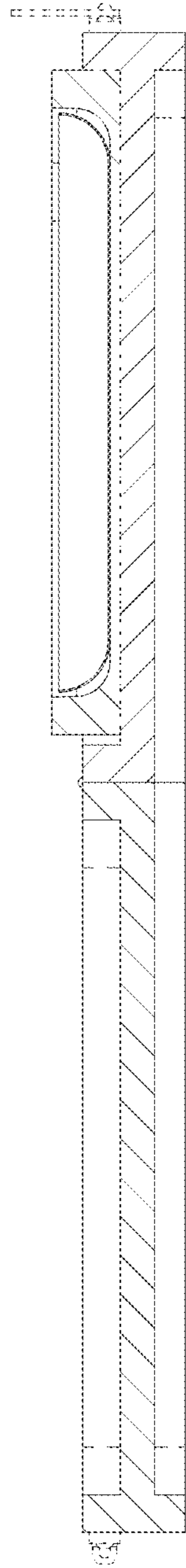


FIG. 9