



US00D965395S

(12) **United States Design Patent** (10) **Patent No.:** **US D965,395 S**  
**Kloepfel et al.** (45) **Date of Patent:** **\*\* Oct. 4, 2022**

(54) **FOOD STUFFER**

(71) Applicant: **BLUE SKY INNOVATION GROUP, INC.**, Sheffield Village, OH (US)  
(72) Inventors: **Gregg M. Kloepfel**, Sheffield Lake, OH (US); **Dale J. Zidan**, Eastlake, OH (US); **Eric Wieser**, Avon Lake, OH (US); **Jeffrey Palese**, Grafton, OH (US)  
(73) Assignee: **BLUE SKY INNOVATION GROUP, INC.**, Sheffield Village, OH (US)

(\*\*) Term: **15 Years**

(21) Appl. No.: **29/757,350**

(22) Filed: **Nov. 5, 2020**

(51) **LOC (13) Cl.** ..... **07-04**

(52) **U.S. Cl.**

USPC ..... **D7/669**

(58) **Field of Classification Search**

USPC ..... D7/669, 368, 387, 376, 381, 412, 665, D7/667, 668; 99/345, 485, 494, 532; 452/42

CPC ..... A22C 11/02; B05C 17/01; G01F 13/00  
See application file for complete search history.

(56) **References Cited**

**U.S. PATENT DOCUMENTS**

80,035	A *	7/1868	Truxell	.....	A22C 11/02
					99/485
95,454	A *	10/1869	Forschner	.....	A22C 11/02
					452/42
164,416	A *	6/1875	Beam	.....	A22C 11/02
					452/42
309,832	A *	12/1884	Edwards	.....	A22C 11/02
					99/485
1,036,426	A *	8/1912	Bingham	.....	A22C 11/02
					99/485
D773,894	S *	12/2016	Benoit	.....	D7/381
D901,970	S *	11/2020	Benoit	.....	D7/381
2007/0251957	A1 *	11/2007	Chen	.....	G01F 13/00
					222/386

**OTHER PUBLICATIONS**

Amazon.com, LEM Products 1606 5-Pound Stainless Steel Vertical Sausage Stuffer, LEM Store, ASIN: B01LWZ6AEI, 13 pages, date first available Sep. 15, 2016. (Year: 2016).\*  
Amazon.com, The Sausage Maker—5lb Heavy Duty Vertical Sausage Stuffer, The Sausage Maker, ASIN: B083JL9KCX, 7 pages, date first available Jan. 6, 2020. (Year: 2020).\*

\* cited by examiner

*Primary Examiner* — Terry A Wallace

(74) *Attorney, Agent, or Firm* — Tarolli, Sundheim, Covell & Tummino LLP

(57) **CLAIM**

The ornamental design for a food stuffer, as shown and described.

**DESCRIPTION**

FIG. 1 is a top perspective view of a food stuffer illustrating our new design.

FIG. 2 is a bottom perspective view of a food stuffer illustrating our new design.

FIG. 3 is a front side view of a food stuffer illustrating our new design.

FIG. 4 is a rear side view of a food stuffer illustrating our new design.

FIG. 5 is a right view of a food stuffer illustrating our new design.

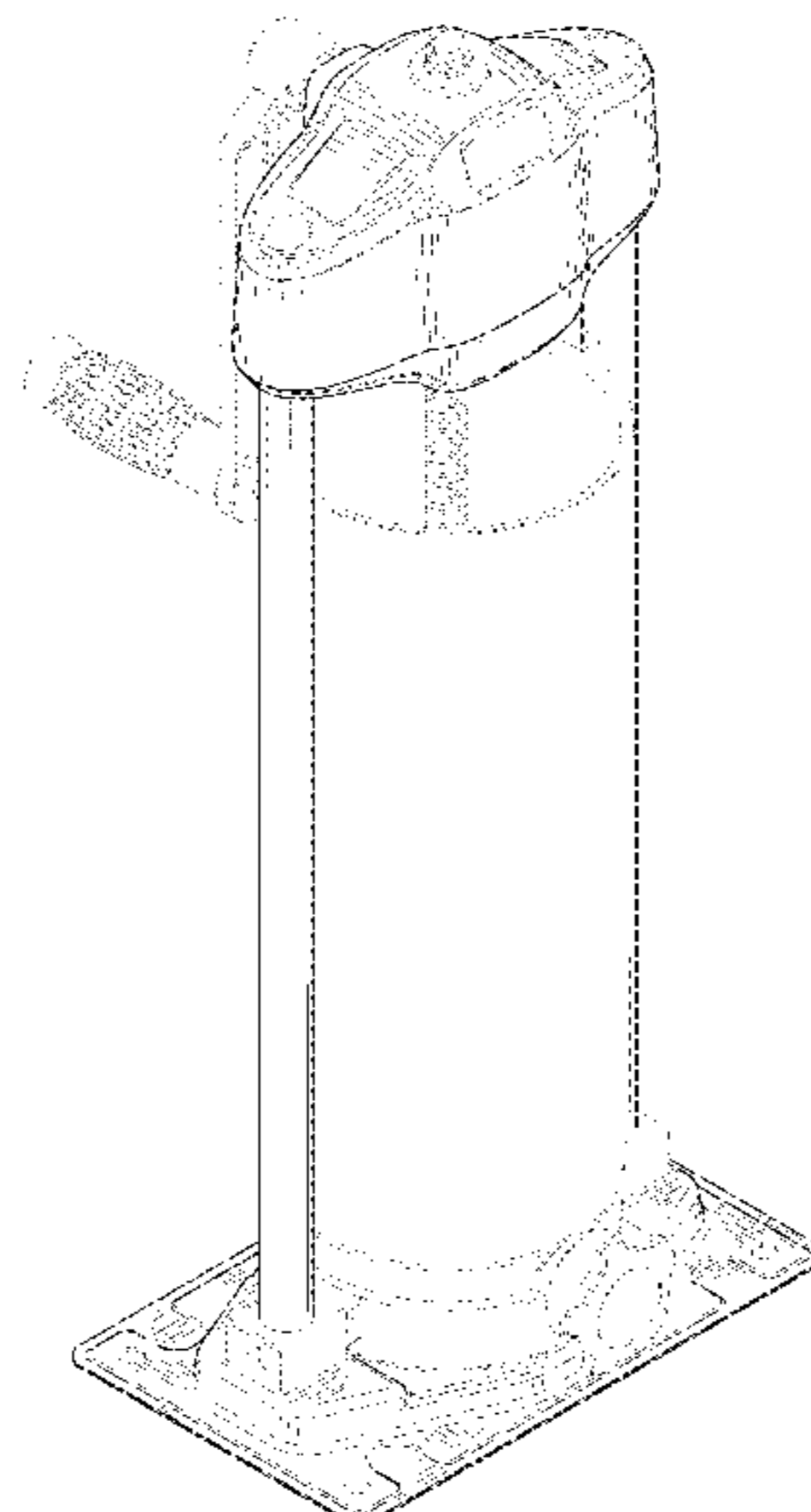
FIG. 6 is a left view of a food stuffer illustrating our new design.

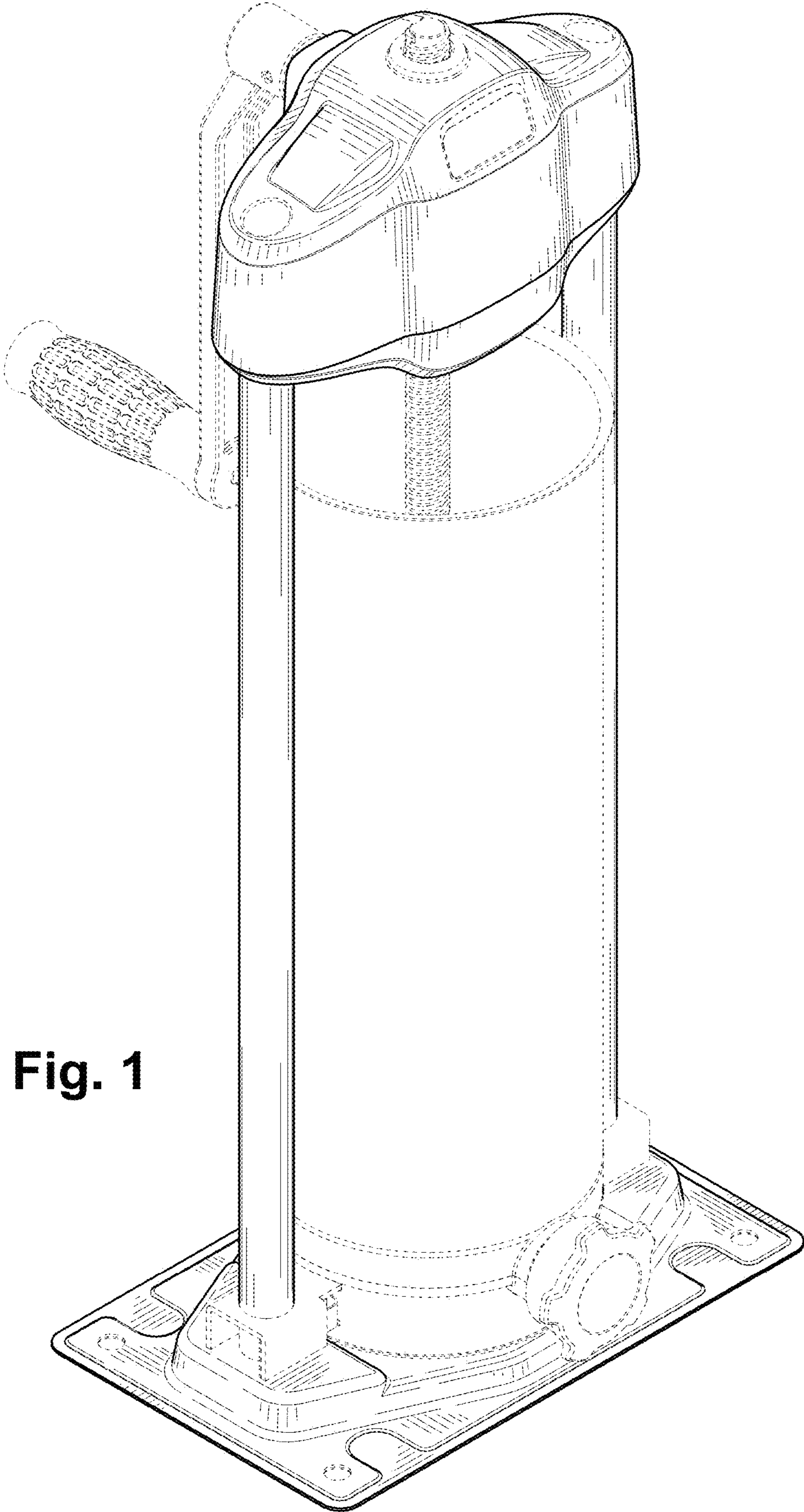
FIG. 7 is a top view of a food stuffer illustrating our new design; and,

FIG. 8 is a bottom view of a food stuffer illustrating our new design.

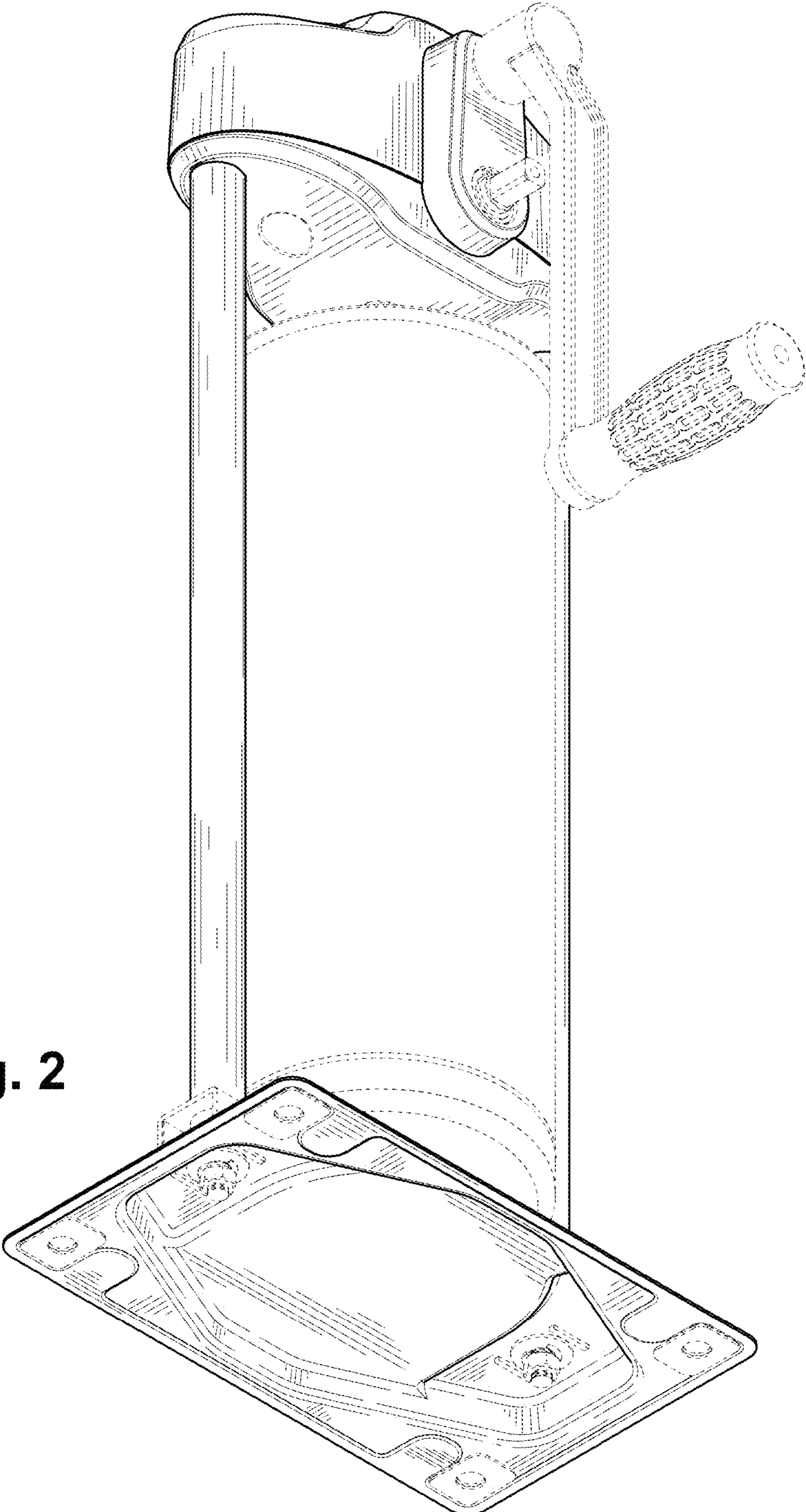
The broken lines show features of the food stuffer which forms no part of the claimed design.

**1 Claim, 8 Drawing Sheets**

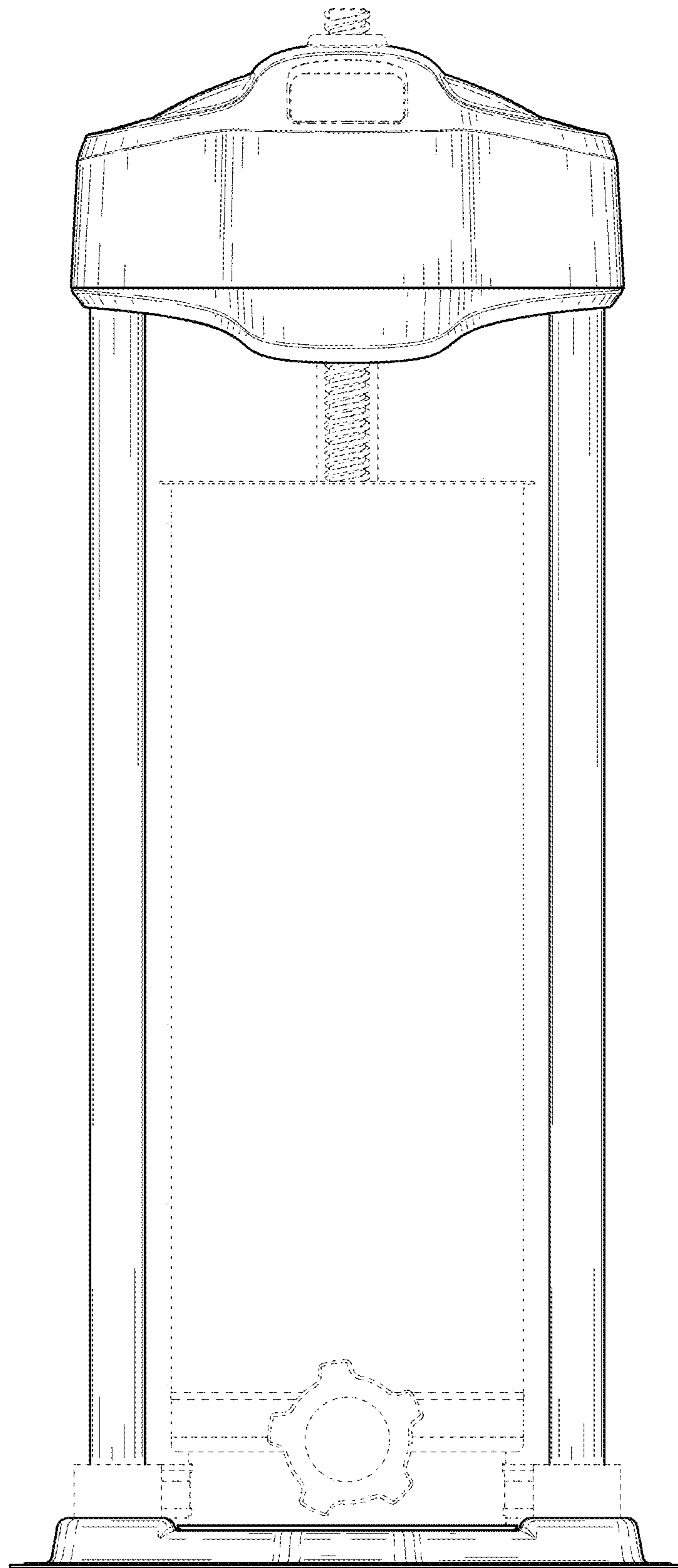




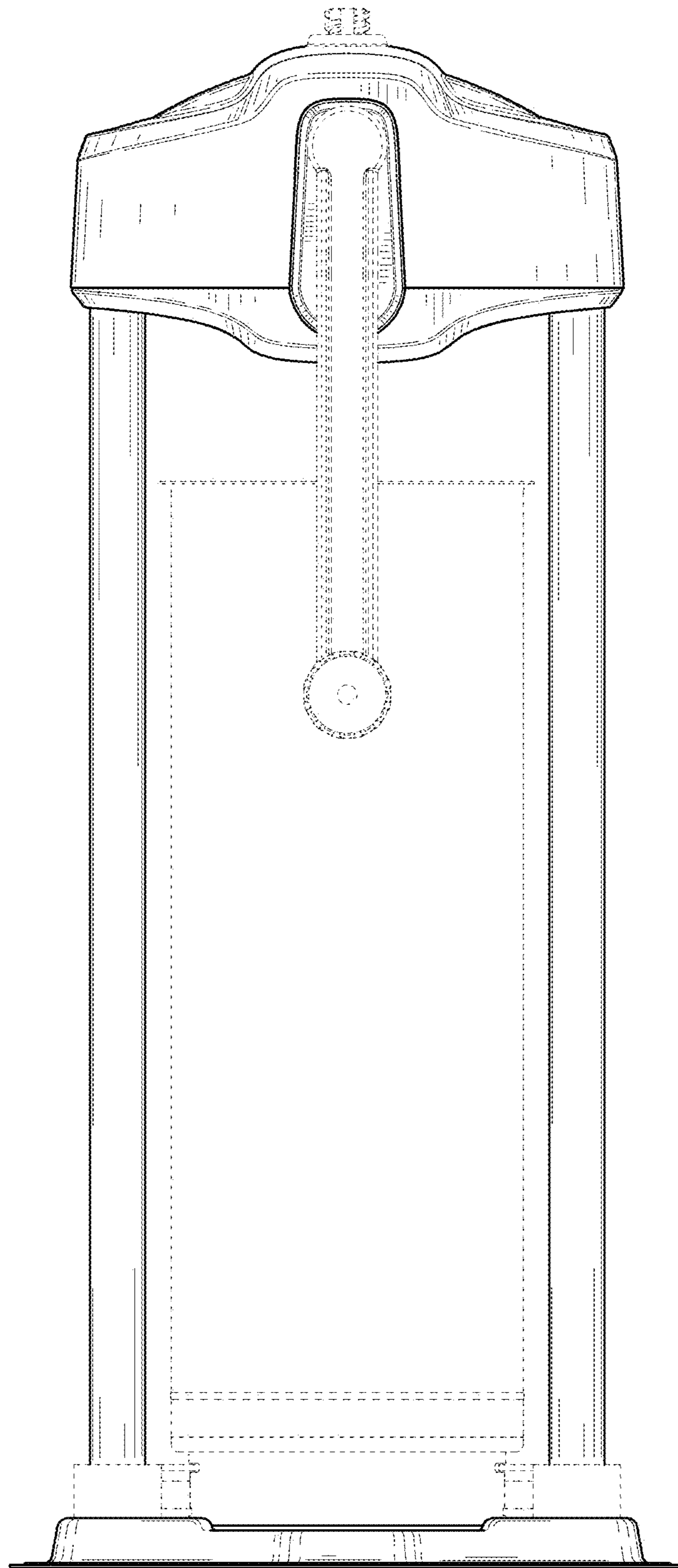
**Fig. 1**



**Fig. 2**



**Fig. 3**



**Fig. 4**

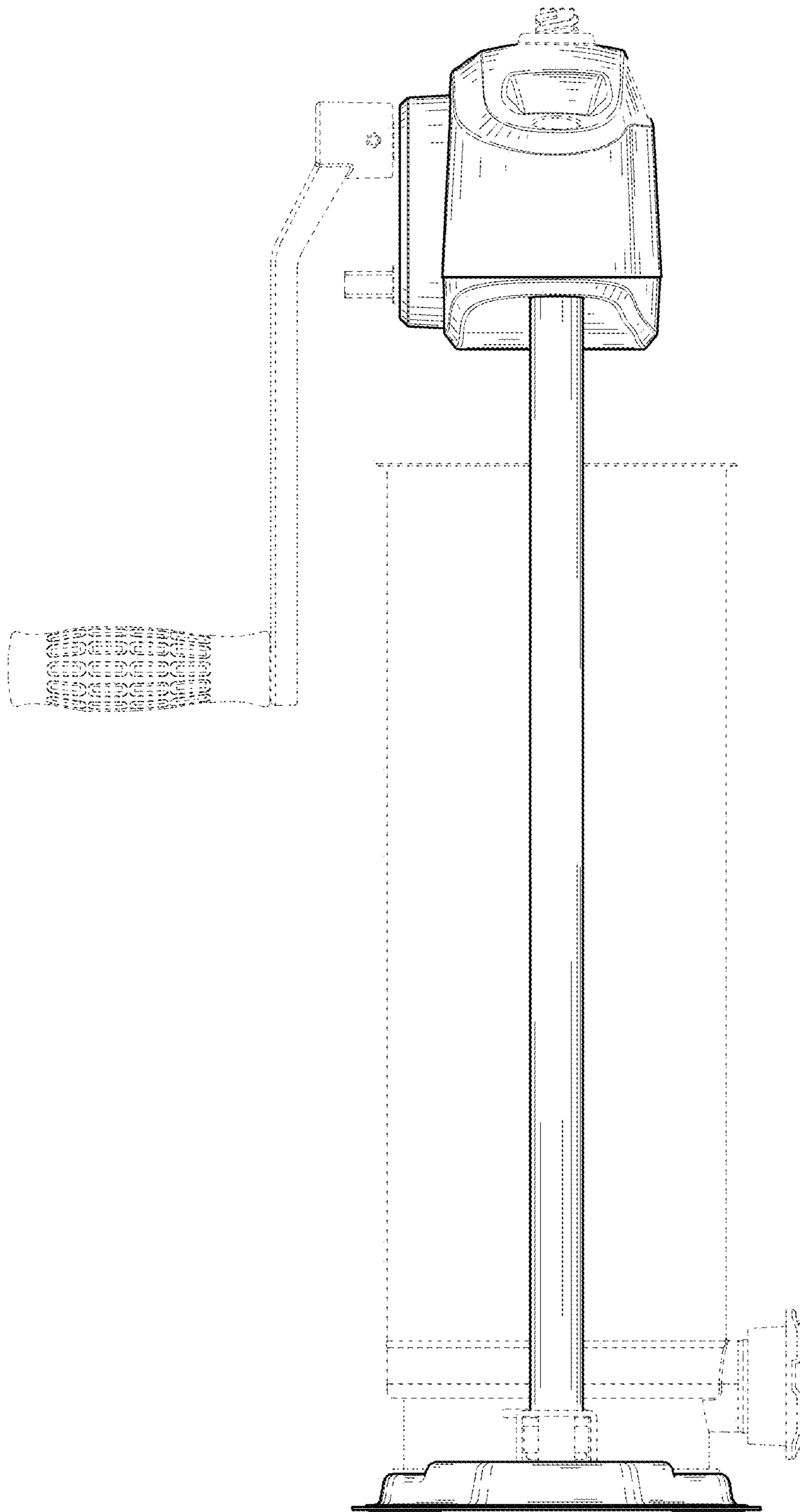


Fig. 5

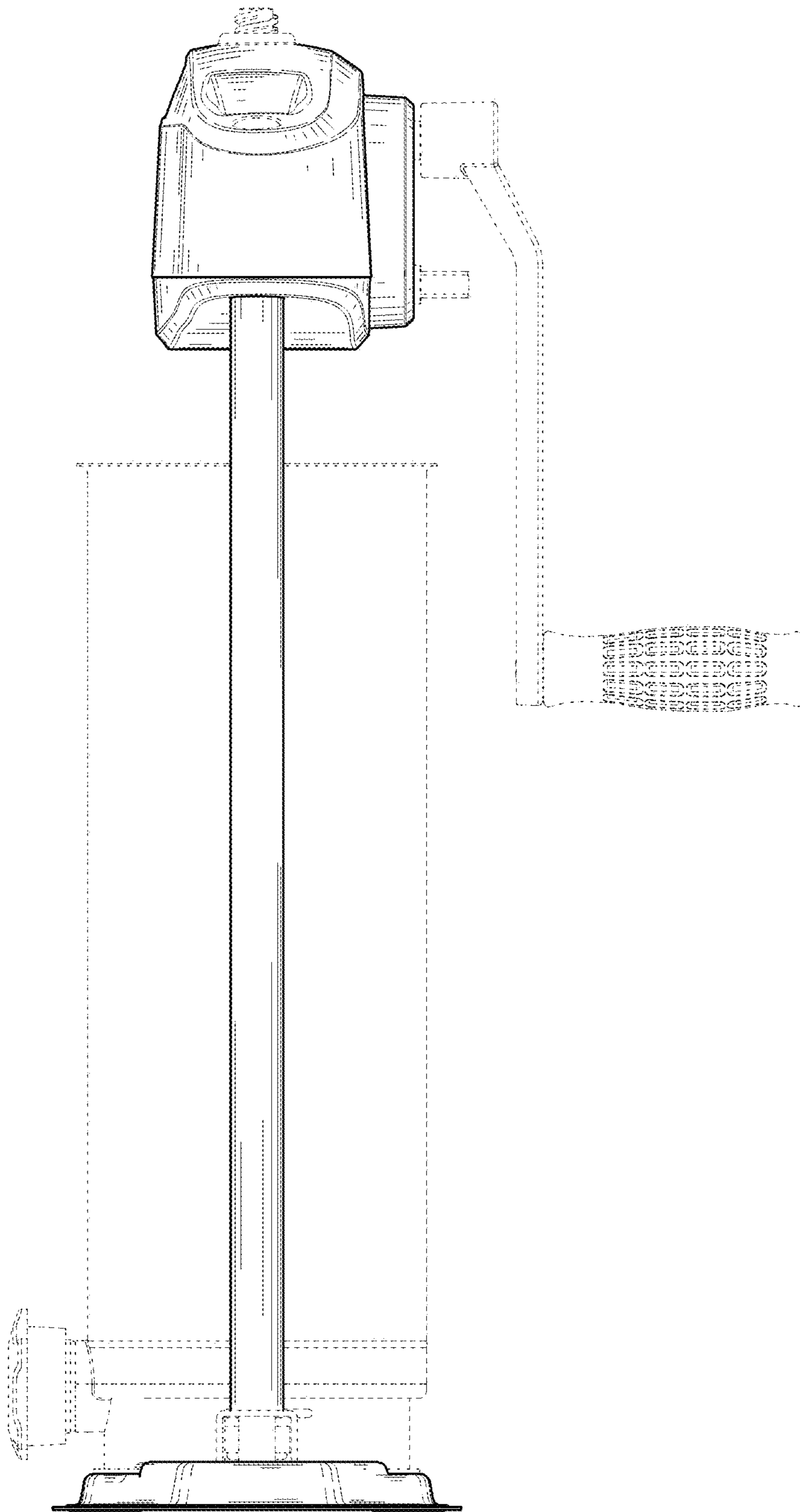
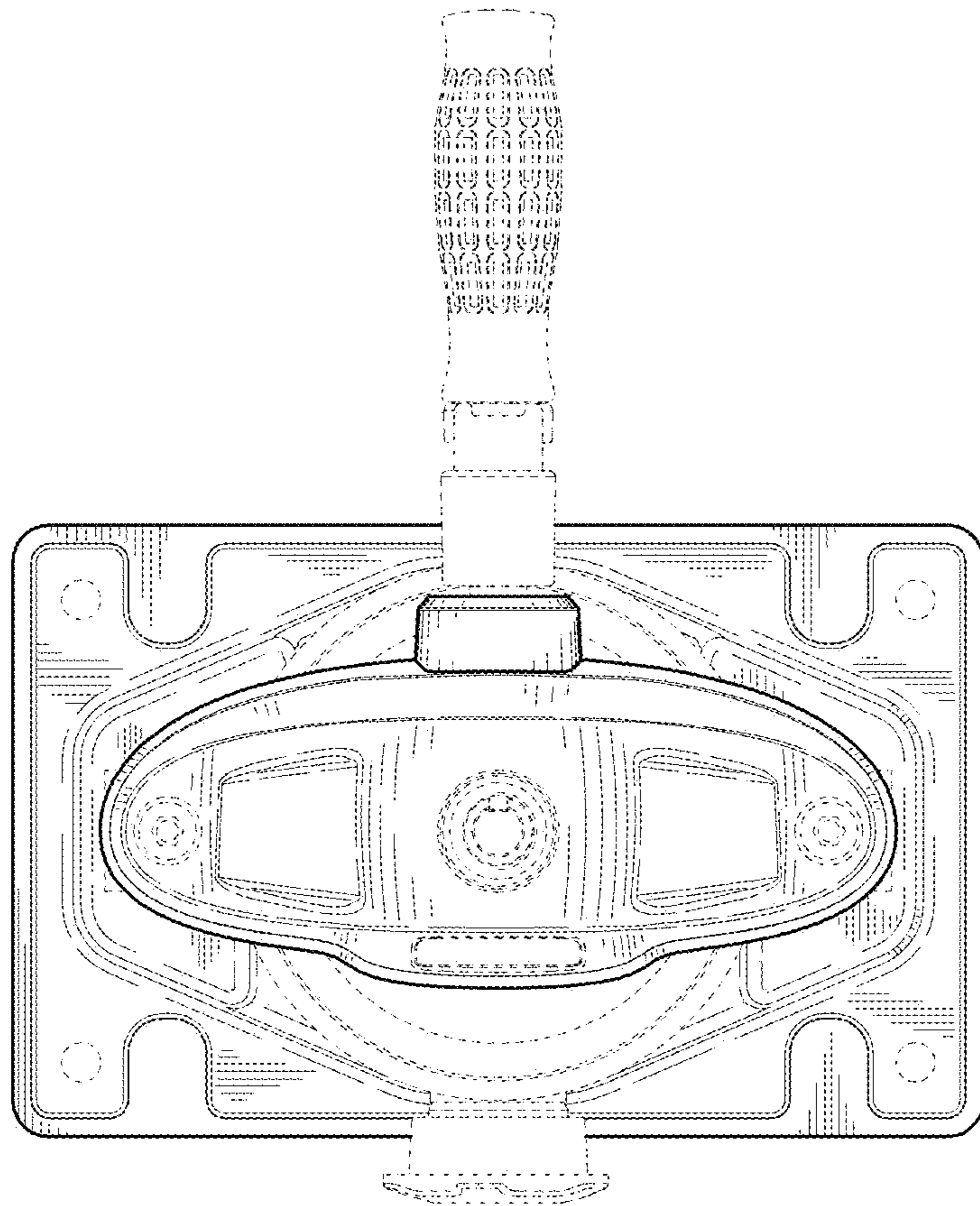
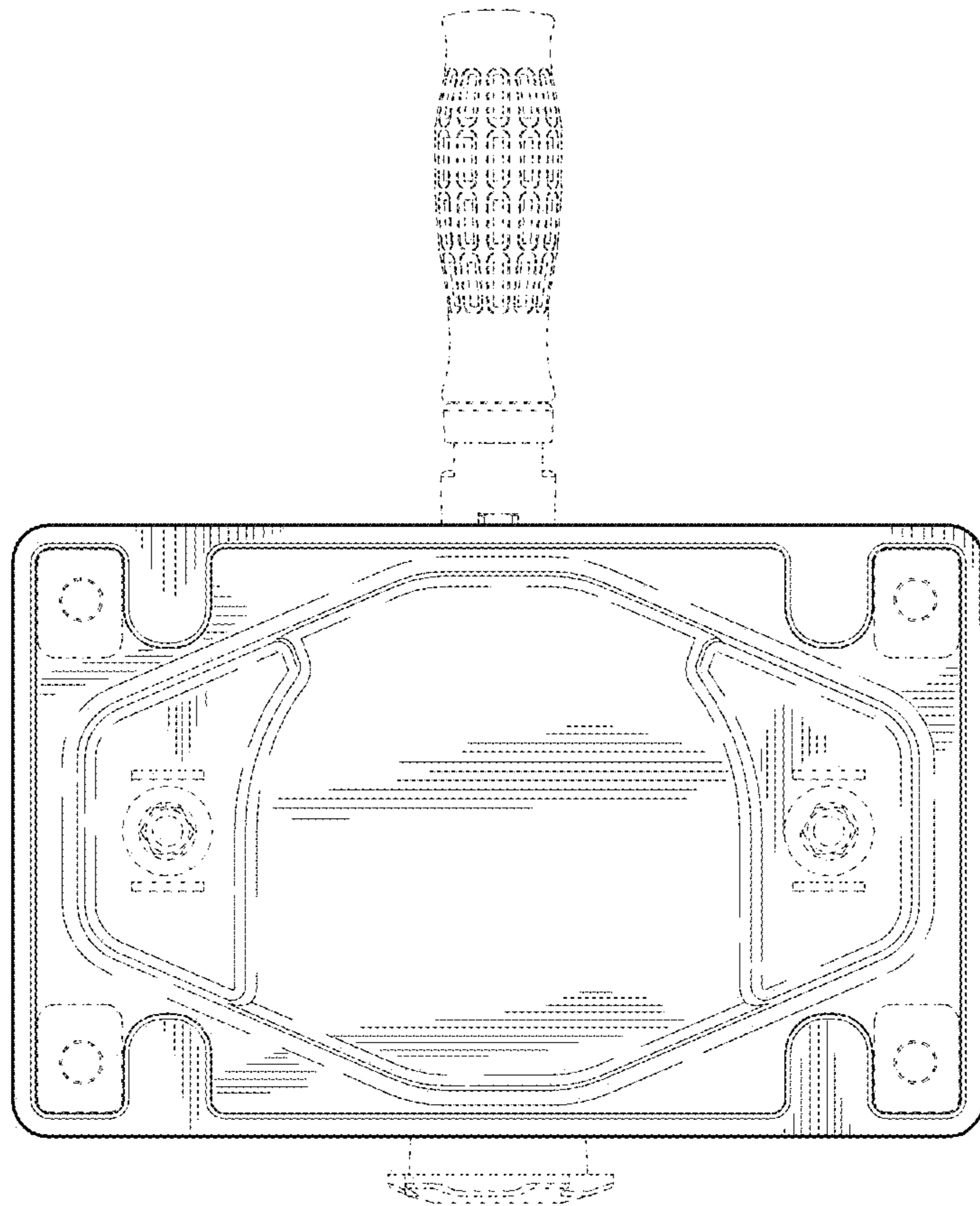


Fig. 6



**Fig. 7**





**Fig. 8**