



US00D965393S

(12) **United States Design Patent**
Zhou

(10) **Patent No.:** **US D965,393 S**

(45) **Date of Patent:** **** Oct. 4, 2022**

(54) **STORAGE BOX**

D929,737 S * 9/2021 Ye D3/302
D938,819 S * 12/2021 De Geyter D9/423
D956,483 S * 7/2022 Nam D7/629

(71) Applicant: **NINGBO CHIKA HOUSEWARE CO., LTD**, Ningbo (CN)

OTHER PUBLICATIONS

(72) Inventor: **Lei Zhou**, Huaibei (CN)

Home Depot, "Snapware Airtight 40-Cup Plastic Storage Container with Blue Handle", First reviewed Jul. 4, 2011. (<https://www.homedepot.com/p/Snapware-Airtight-40-Cup-Plastic-Storage-Container-with-Blue-Handle-1098437/301679150>) (Year: 2011).*

(73) Assignee: **NINGBO CHIKA HOUSEWARE CO., LTD**, Ningbo (CN)

Amazon, "Kootek Cereal Containers Storage Set . . .", First on sale Apr. 16, 2021. (<https://www.amazon.com/dp/B092R23WRT/>) (Year: 2021).*

(**) Term: **15 Years**

Amazon, "White Large Food Storage Container . . .", First on sale Jul. 1, 2020. (<https://www.amazon.com/dp/B08C568QKL/>) (Year: 2020).*

(21) Appl. No.: **29/798,032**

(22) Filed: **Jul. 5, 2021**

(51) **LOC (13) Cl.** **09-07**

(52) **U.S. Cl.**
USPC **D7/629**

(58) **Field of Classification Search**
USPC D3/281; D7/589, 629, 630
CPC A47J 47/04; A47J 47/06
See application file for complete search history.

* cited by examiner

Primary Examiner — April Rivas

(56) **References Cited**

(57) **CLAIM**

U.S. PATENT DOCUMENTS

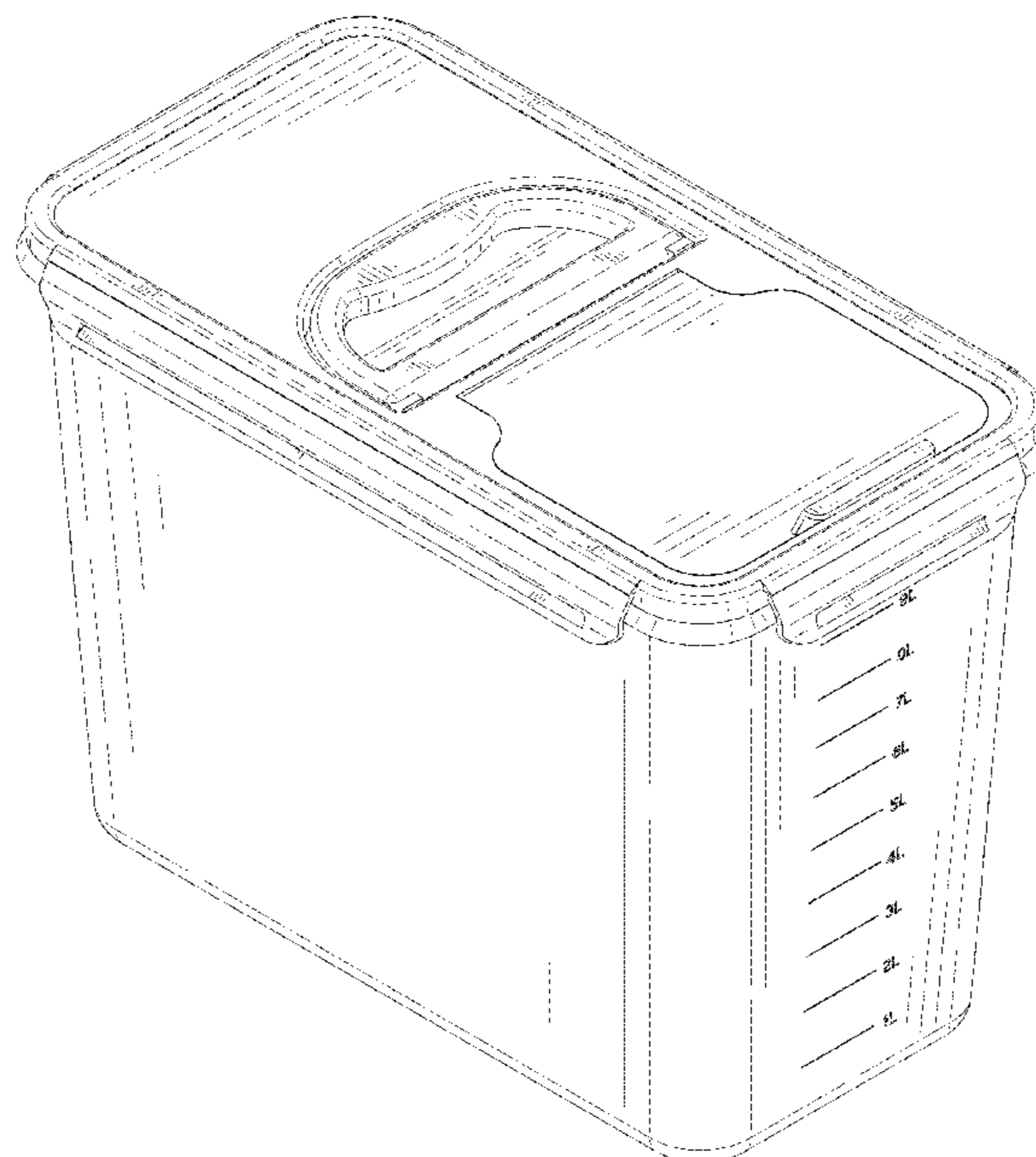
The ornamental design for a storage box, as shown and described.

D284,728 S	*	7/1986	Trivison	D7/629
D320,911 S	*	10/1991	Carlson	D7/629
D350,875 S	*	9/1994	VanValkenburg	D7/629
D521,812 S	*	5/2006	Kim	D7/629
D679,958 S	*	4/2013	Yang	D7/629
D696,558 S	*	12/2013	Song	D7/629
D698,614 S	*	2/2014	Duvigneau	D7/629
D736,571 S	*	8/2015	Laskowski	D7/629
D742,737 S	*	11/2015	Huang	D9/425
D803,637 S	*	11/2017	Feng	D7/629
D864,567 S		10/2019	Kincade et al.		
D876,949 S		3/2020	Dietvorst et al.		
D880,958 S	*	4/2020	Dai	D7/629
D906,059 S	*	12/2020	Liao	D7/629
D922,154 S	*	6/2021	Zou	D7/629

DESCRIPTION

FIG. 1 is a perspective view of a storage box showing my new design;
FIG. 2 is another perspective view thereof;
FIG. 3 is a front elevational view thereof;
FIG. 4 is a rear elevational view thereof;
FIG. 5 is a left side elevational view thereof;
FIG. 6 is a right side elevational view thereof;
FIG. 7 is a top plan view thereof; and,
FIG. 8 is a bottom plan view thereof.

1 Claim, 8 Drawing Sheets



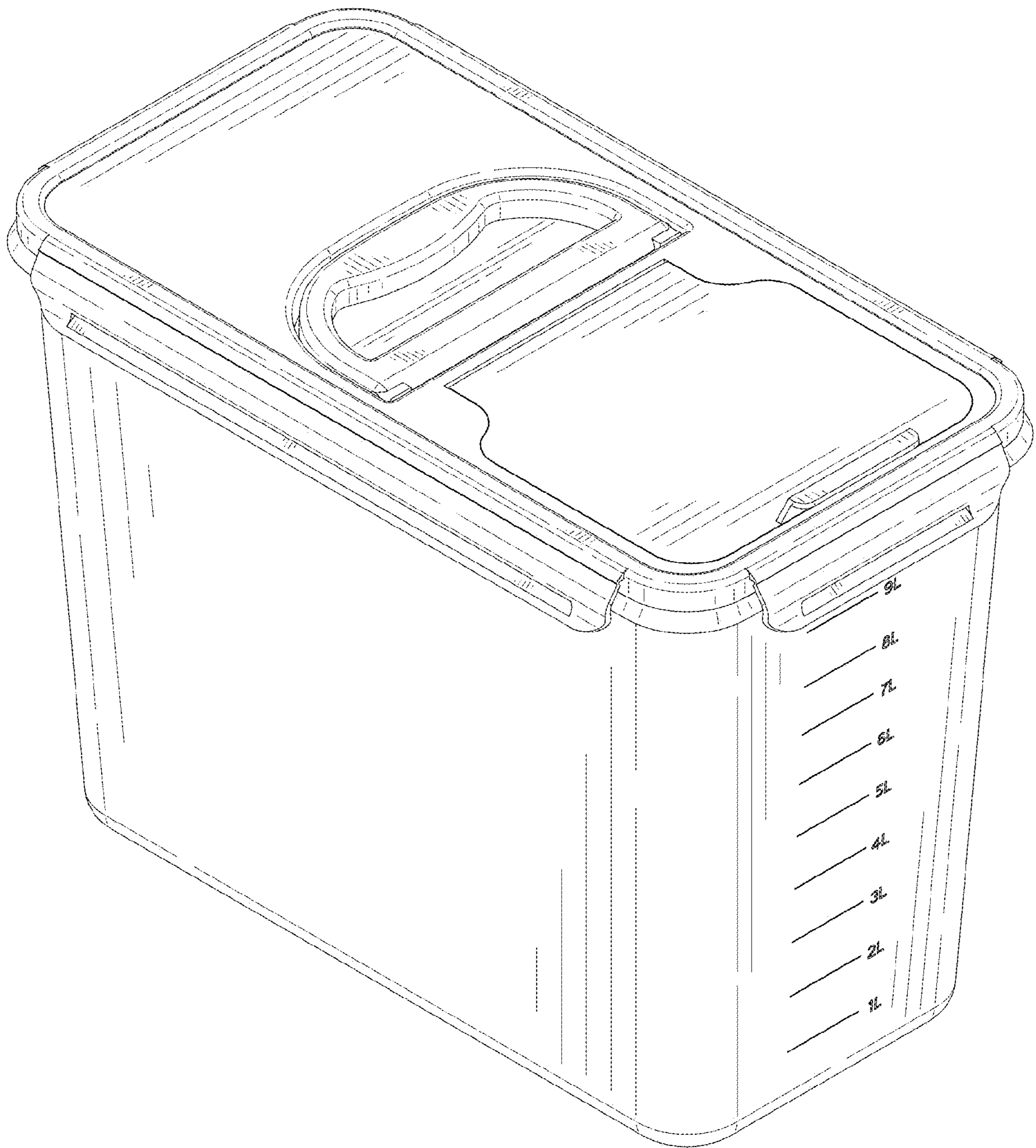


FIG. 1

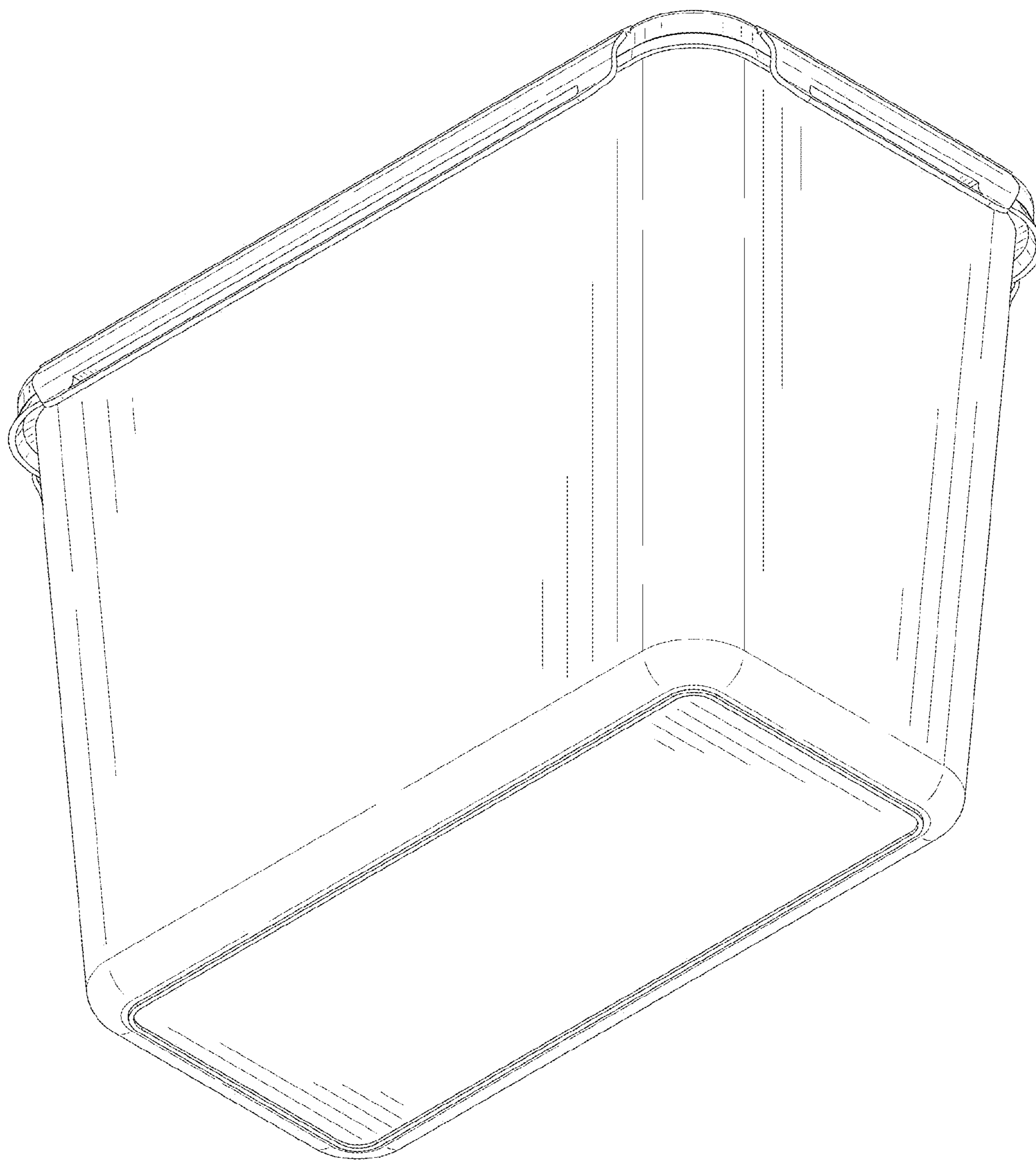


FIG. 2

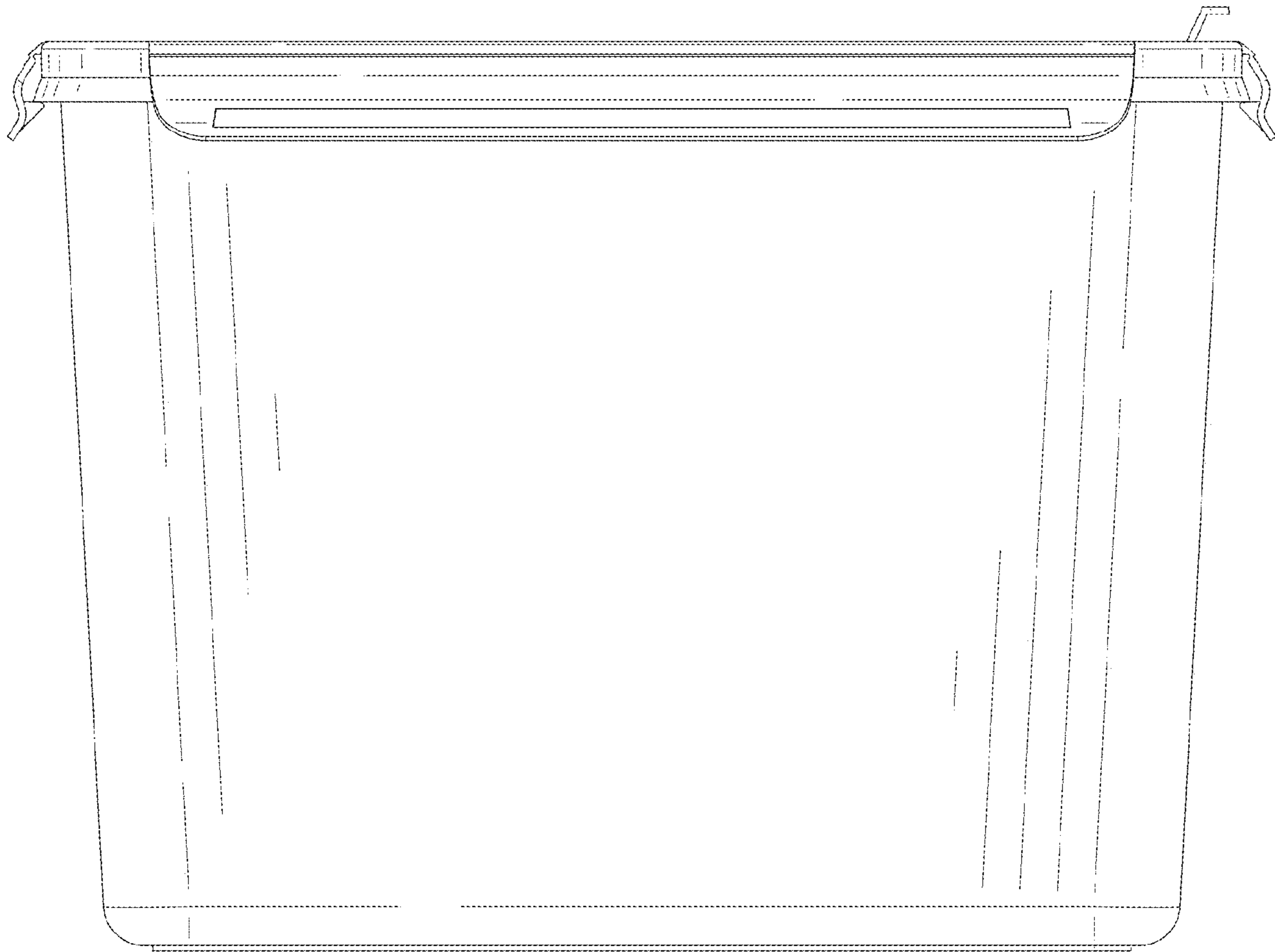


FIG. 3

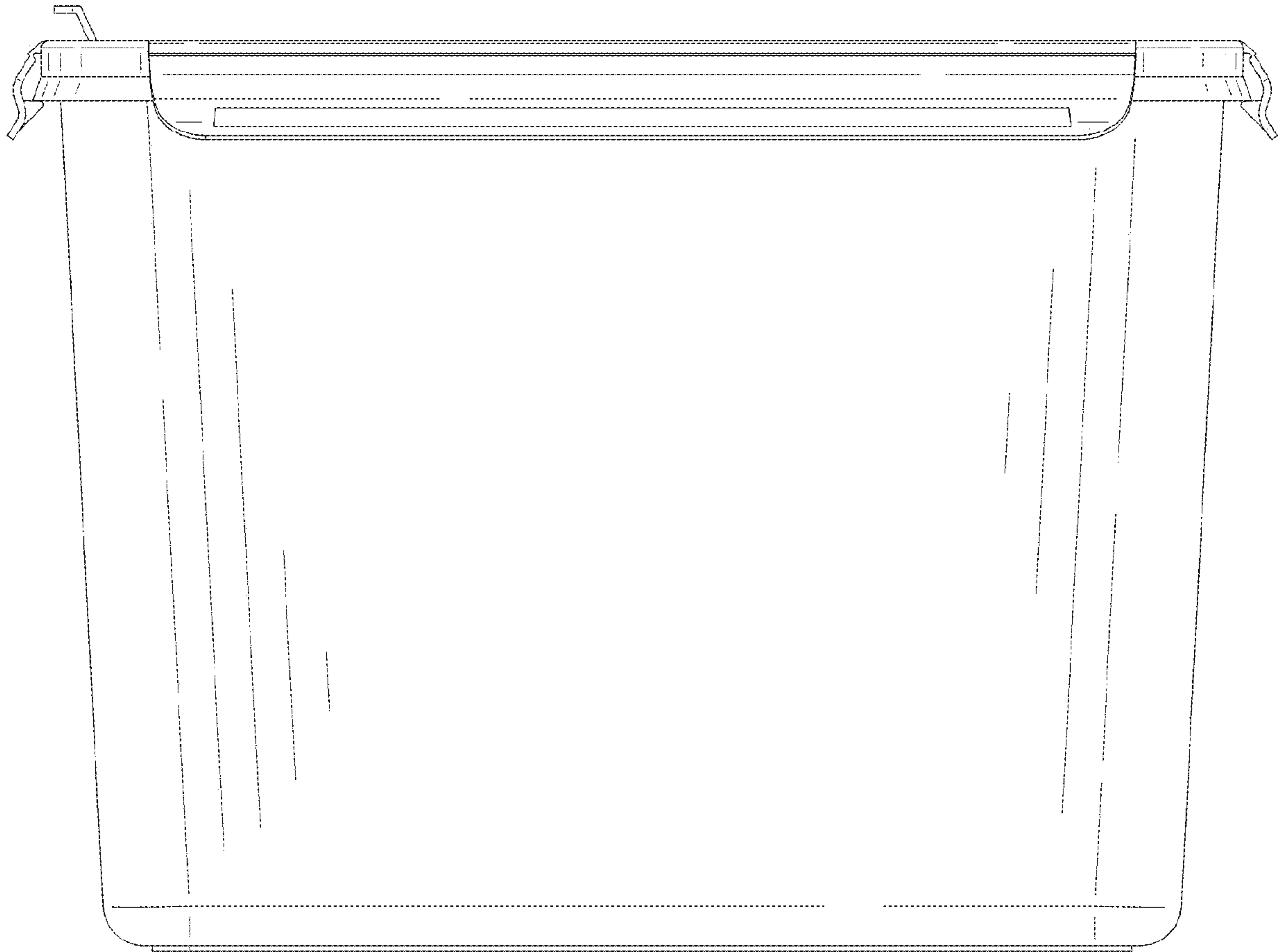


FIG. 4

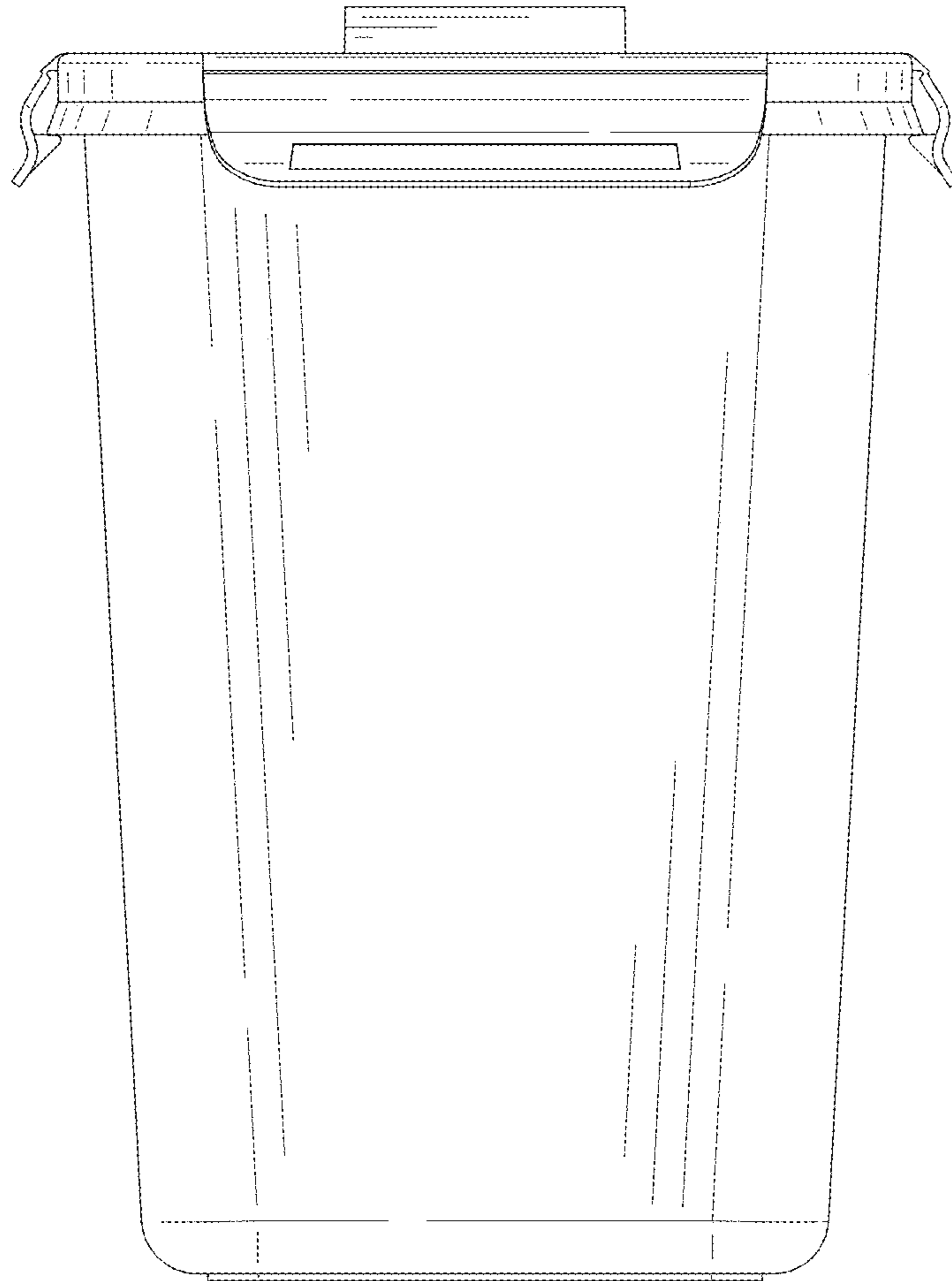


FIG. 5

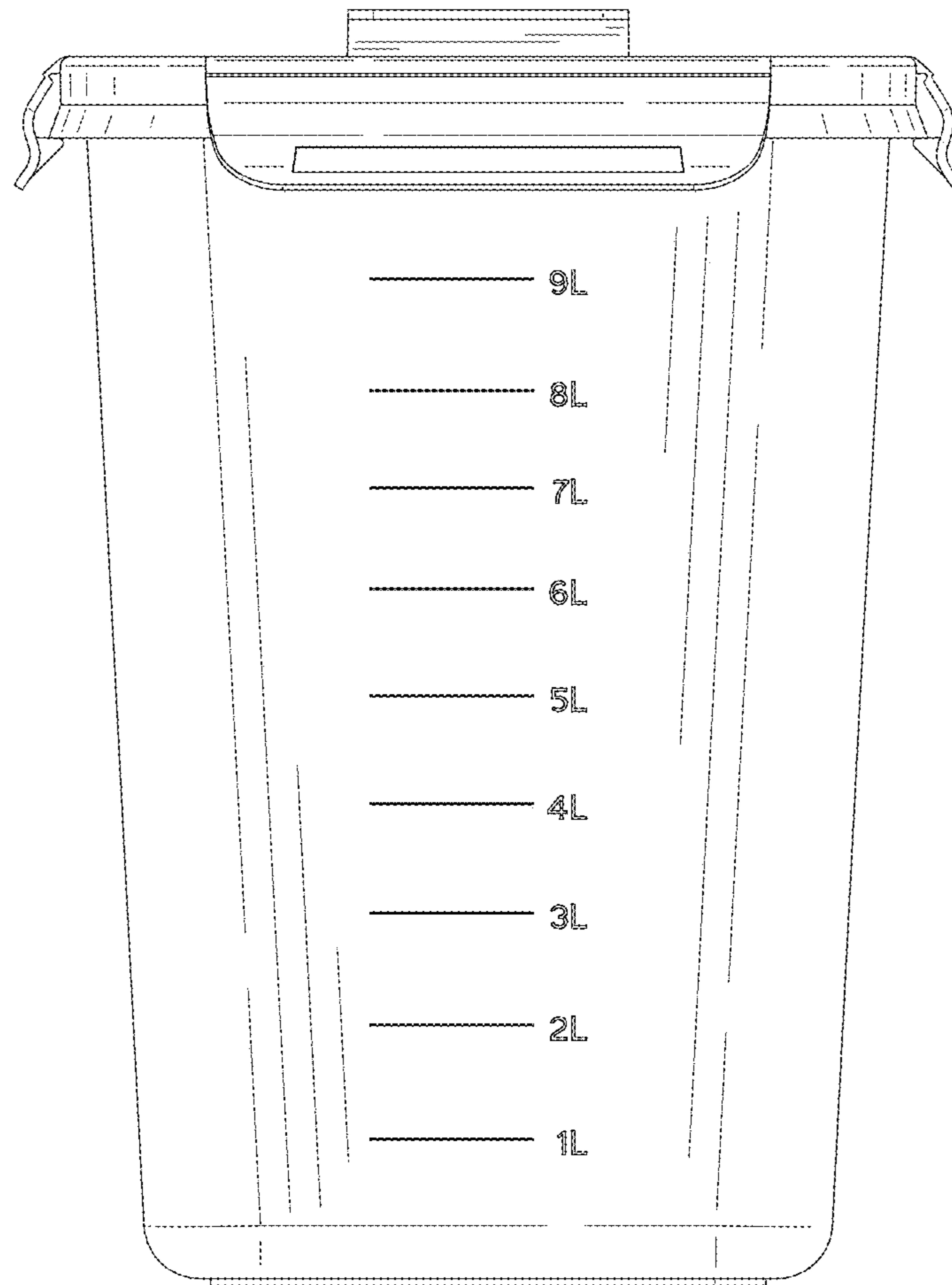


FIG. 6

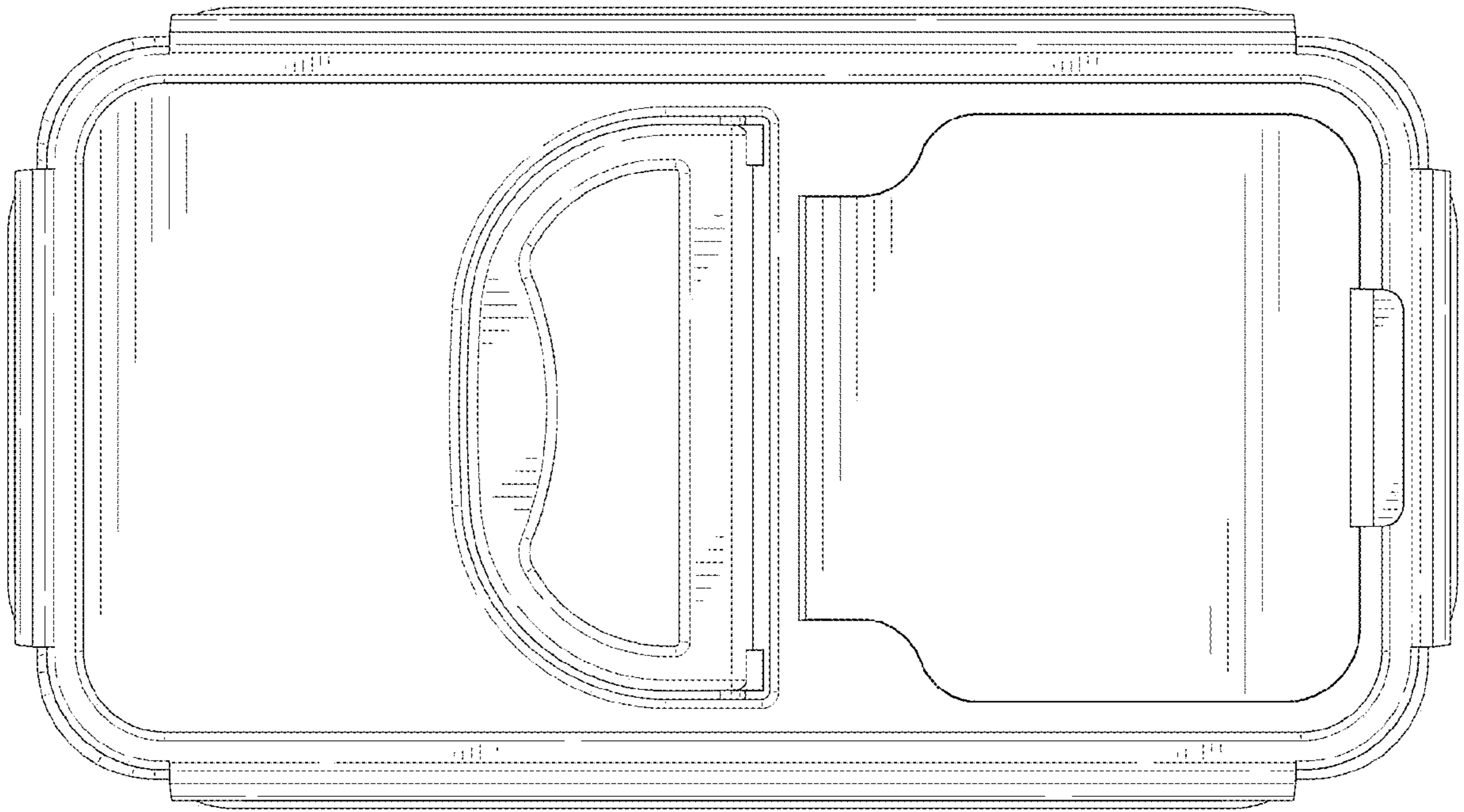


FIG. 7

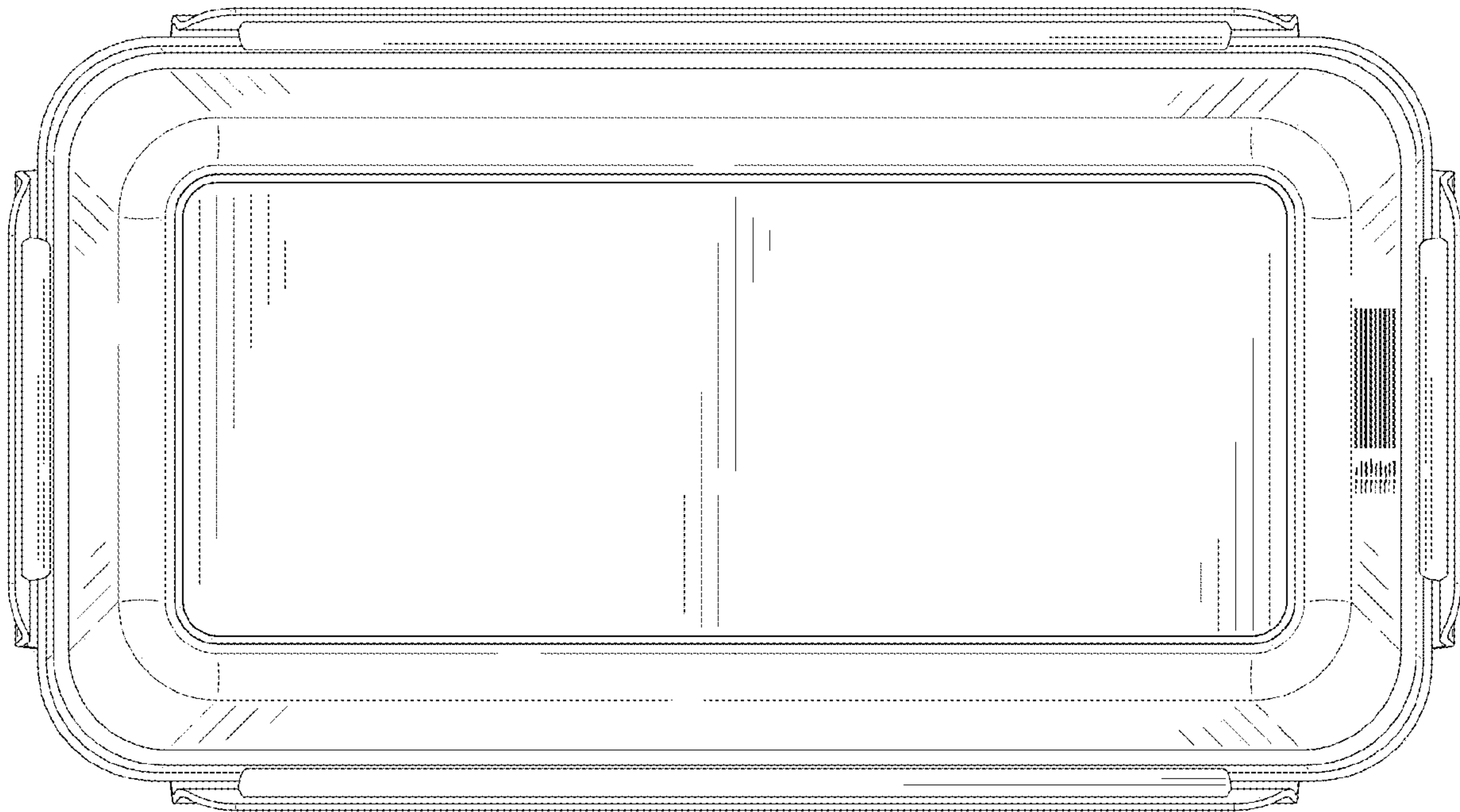


FIG. 8