



US00D965392S

(12) **United States Design Patent**  
**Hutchings**

(10) **Patent No.:** **US D965,392 S**

(45) **Date of Patent:** **\*\* Oct. 4, 2022**

(54) **CUPHOLDER FOR CHAIR**  
(71) Applicant: **Michigan Tube Swagers & Fabricators, Inc.**, Temperance, MI (US)  
(72) Inventor: **Michael Hutchings**, Sylvania, OH (US)  
(73) Assignee: **Michigan Tube Swagers & Fabricators, Inc.**, Temperance, MI (US)

3,021,106 A \* 2/1962 Kramer ..... A47C 7/624  
248/231.71  
3,239,180 A \* 3/1966 Bachmann ..... B44D 3/14  
248/302  
3,269,683 A \* 8/1966 Shinaver ..... A63B 55/60  
248/210  
3,332,653 A \* 7/1967 Hoelzel ..... E06C 7/146  
248/210  
D367,998 S \* 3/1996 Graw ..... D7/620  
D379,288 S \* 5/1997 Azar ..... D7/620  
D404,975 S \* 2/1999 Fegan ..... D06F 39/022  
D7/620  
D470,726 S \* 2/2003 Kautzky ..... D17/22

(\*\*) Term: **15 Years**

(21) Appl. No.: **29/744,875**

(22) Filed: **Jul. 31, 2020**

(51) **LOC (13) Cl.** ..... **07-09**

(52) **U.S. Cl.**  
USPC ..... **D7/620**

(58) **Field of Classification Search**  
USPC ..... D7/300, 313, 316, 387, 507, 509, 510,  
D7/511, 552.1, 601, 602, 605, 606, 607,  
D7/608, 619.1, 620, 622, 624.1, 624.2,  
D7/701, 704; D12/114, 411, 415, 417,  
D12/419, 420, 436  
CPC .... A45F 3/16; A45F 2200/0583; A47C 7/622;  
A47C 29/18; A47G 19/2205; A47G  
23/16; A47G 19/2272; A47G 19/2288;  
A47G 19/23; A47G 23/02; A47G  
23/0216; A47G 23/0266; A47G 23/0241;  
A47G 23/0225; A47J 41/00; A47J 43/00;  
A47J 47/00; A47J 47/02; A47J 47/08;  
B65D 1/265; B65D 3/22; B65D 81/3865;  
B65D 81/3453

See application file for complete search history.

(56) **References Cited**

**U.S. PATENT DOCUMENTS**

2,279,442 A \* 4/1942 Burns ..... B60N 3/103  
248/311.2  
2,601,571 A \* 6/1952 Sverkerson ..... A47G 23/0225  
211/74

*Primary Examiner* — Joseph Kukella  
*Assistant Examiner* — Darryl J Dardenne  
(74) *Attorney, Agent, or Firm* — Dinsmore & Shohl LLP

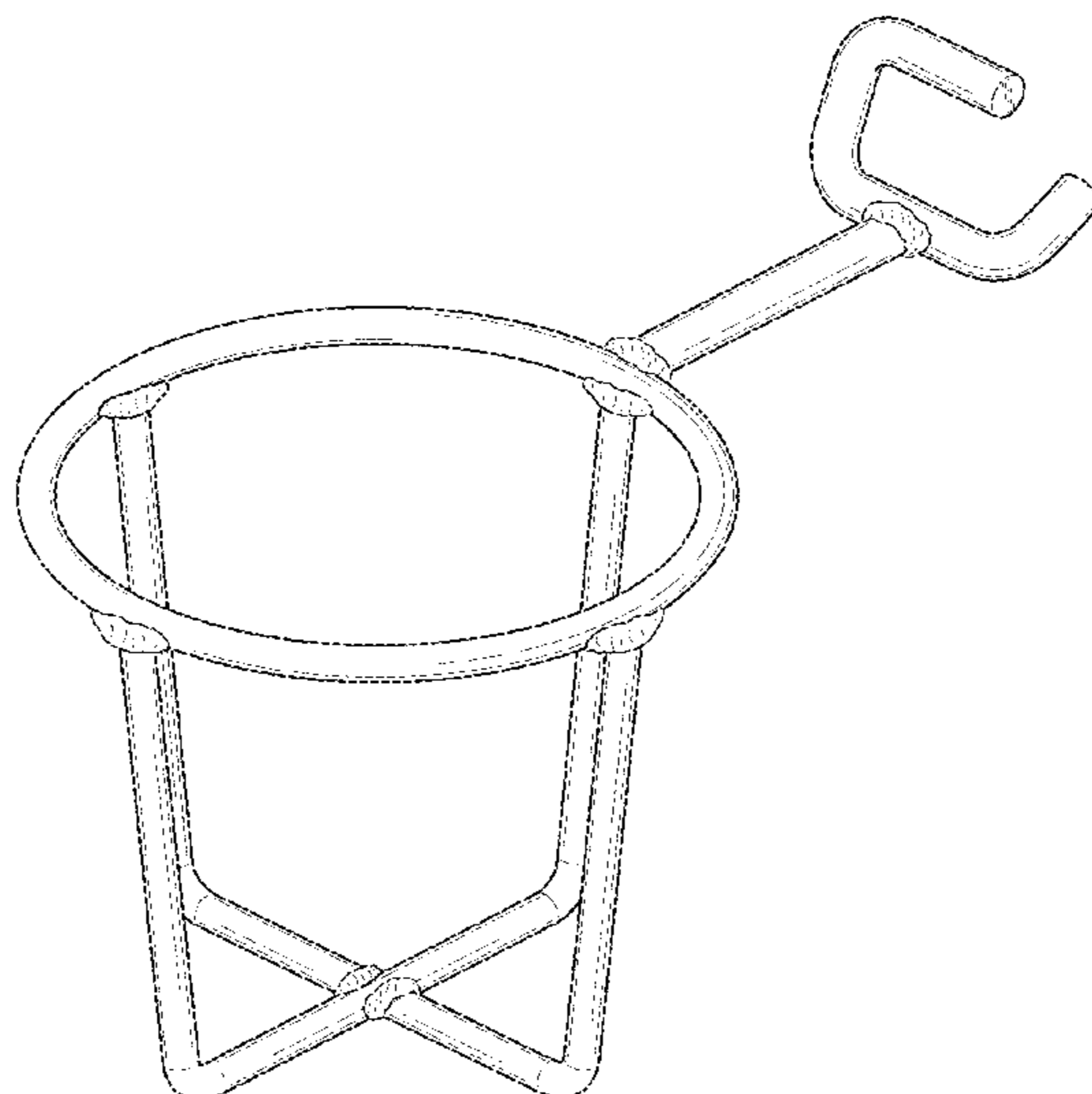
(57) **CLAIM**

The ornamental design for cupholder for chair, as shown and described.

**DESCRIPTION**

FIG. 1 is a perspective view of a cupholder in accordance with the present invention, shown attached to a chair; FIG. 2 is another perspective view of the cupholder of FIG. 1; FIG. 3 is a first end view of the cupholder of FIGS. 1 and 2; FIG. 4 is a second end view of the cupholder of FIGS. 1-3; FIG. 5 is a first side view of the cupholder of FIGS. 1-4; FIG. 6 is a second side view of the cupholder of FIGS. 1-5; FIG. 7 is a top view of the cupholder of FIGS. 1-6; and, FIG. 8 is a bottom view of the cupholder of FIGS. 1-7. The broken line portions of FIG. 1 are for environmental purposes and the structure shown forms no part of the claimed design.

**1 Claim, 5 Drawing Sheets**



(56)

**References Cited**

U.S. PATENT DOCUMENTS

D470,727 S \* 2/2003 Bartley ..... D7/620  
D476,860 S \* 7/2003 Groendyke ..... D7/620  
6,644,524 B1 \* 11/2003 Garvin ..... B62B 3/1472  
248/311.2  
D487,862 S \* 3/2004 Tincher ..... B60N 3/103  
D7/620  
D528,870 S \* 9/2006 Ryan ..... B44D 3/14  
D34/27  
D589,873 S \* 4/2009 Banks ..... D12/411  
D632,908 S \* 2/2011 Tincher ..... D7/602  
D638,662 S \* 5/2011 Pyle ..... A47G 23/0225  
D7/620  
8,430,366 B2 \* 4/2013 Tincher ..... A47G 23/0225  
248/214  
D700,505 S \* 3/2014 Totten ..... A63B 55/60  
D8/370  
D794,398 S \* 8/2017 LaFavers ..... E06C 7/146  
D7/620  
2006/0284040 A1 \* 12/2006 Nixon ..... B62J 11/04  
248/215  
2018/0216278 A1 \* 8/2018 Cordova ..... D06F 39/022

\* cited by examiner

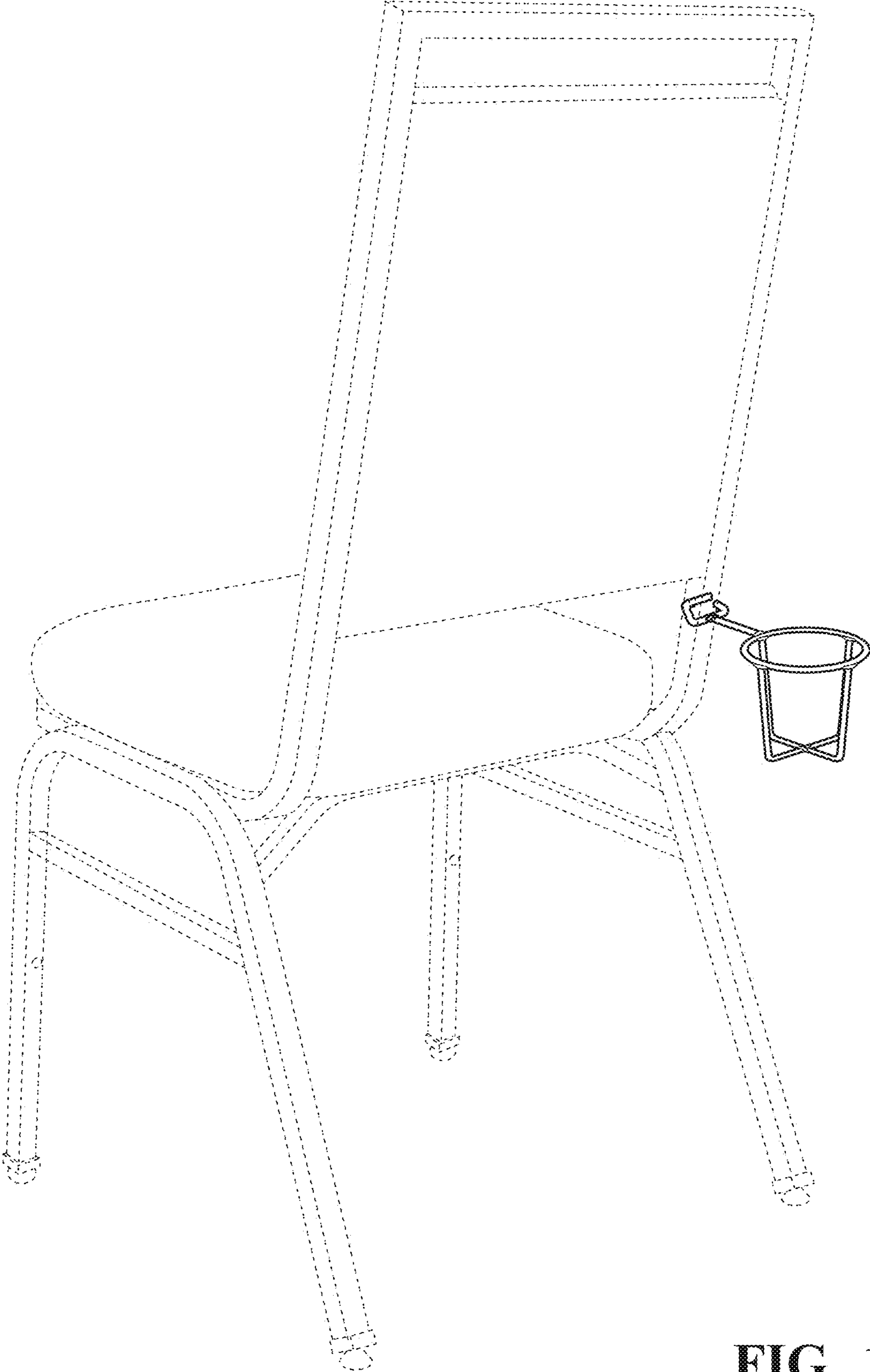


FIG. 1

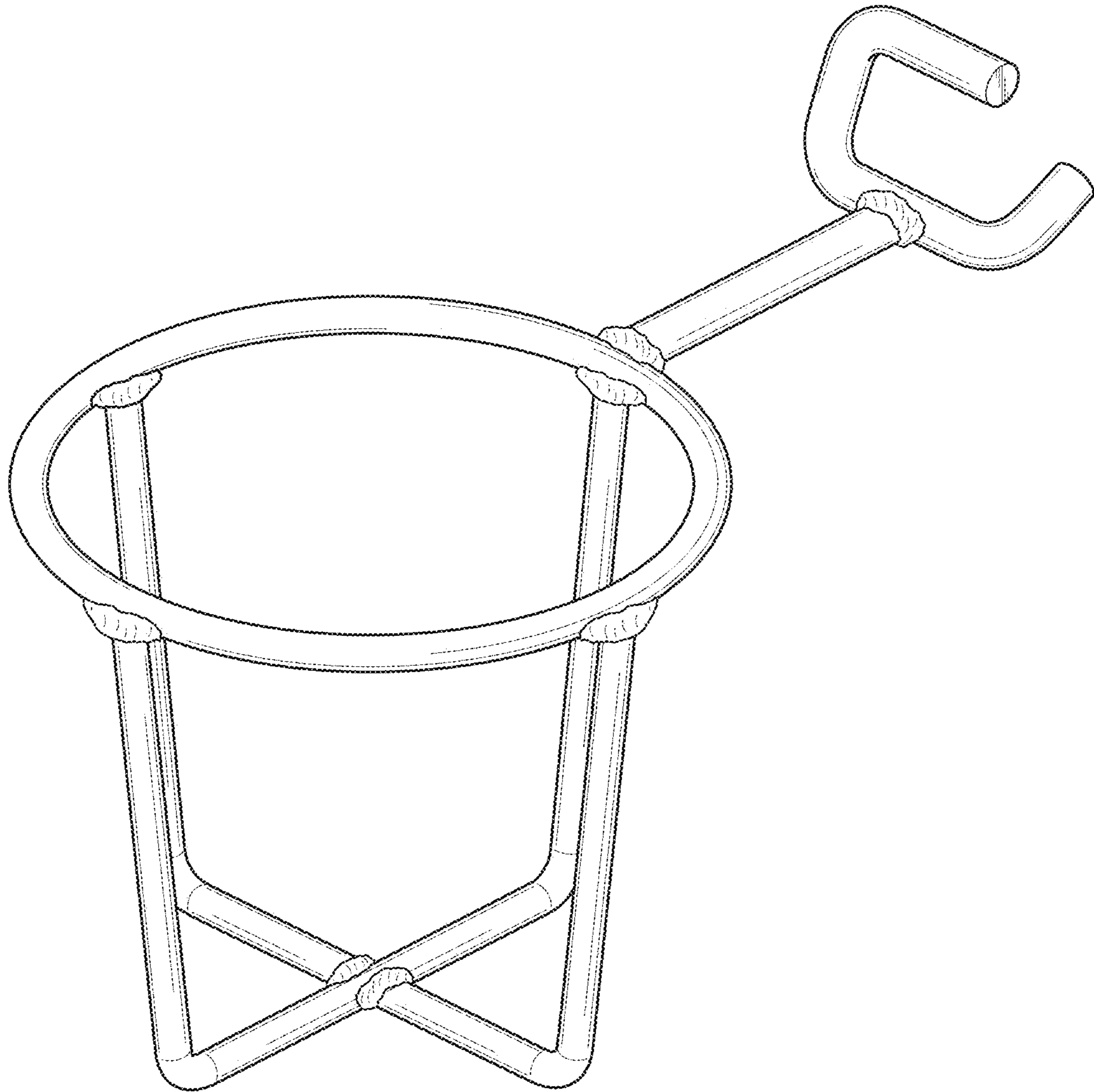
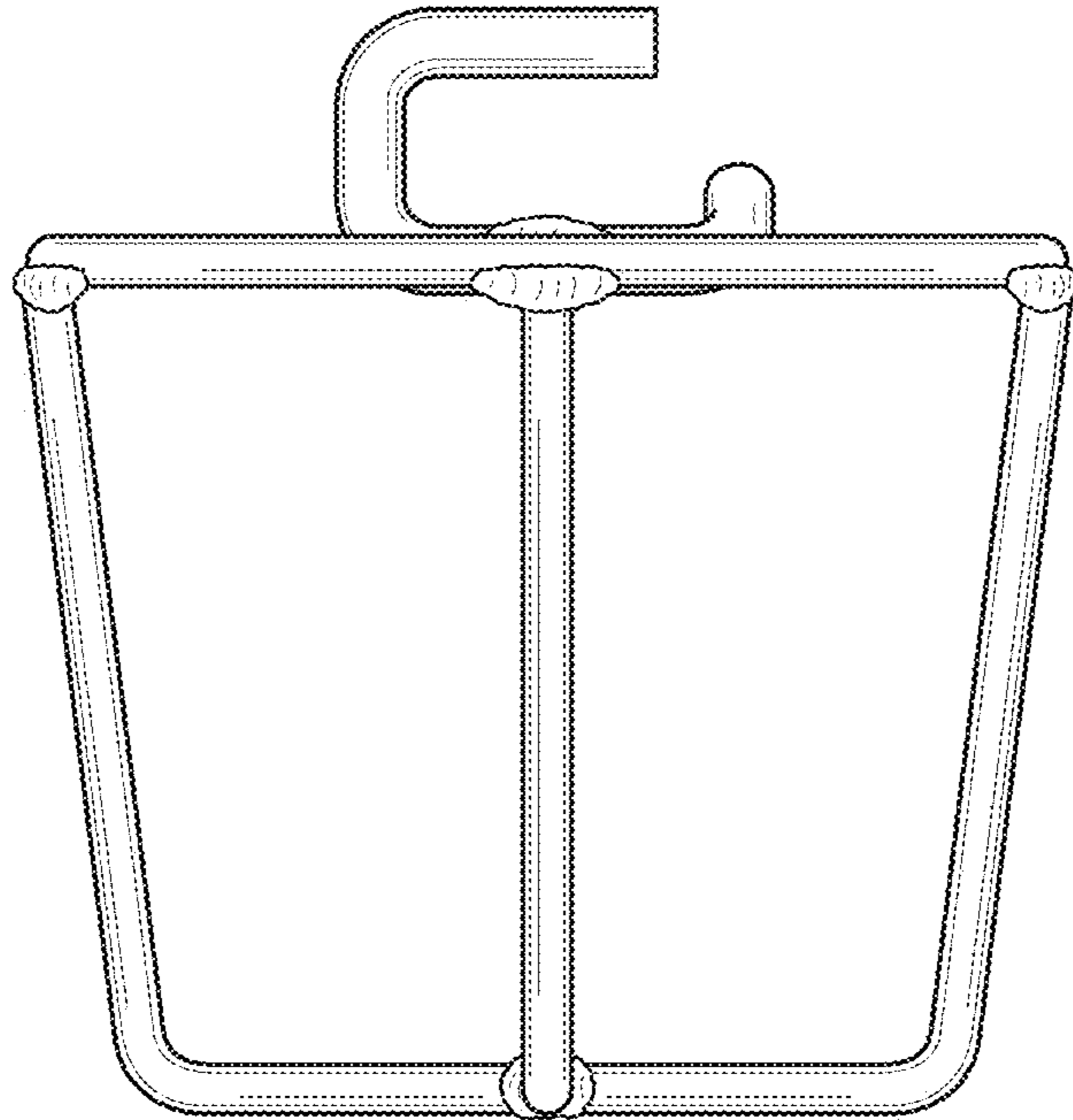
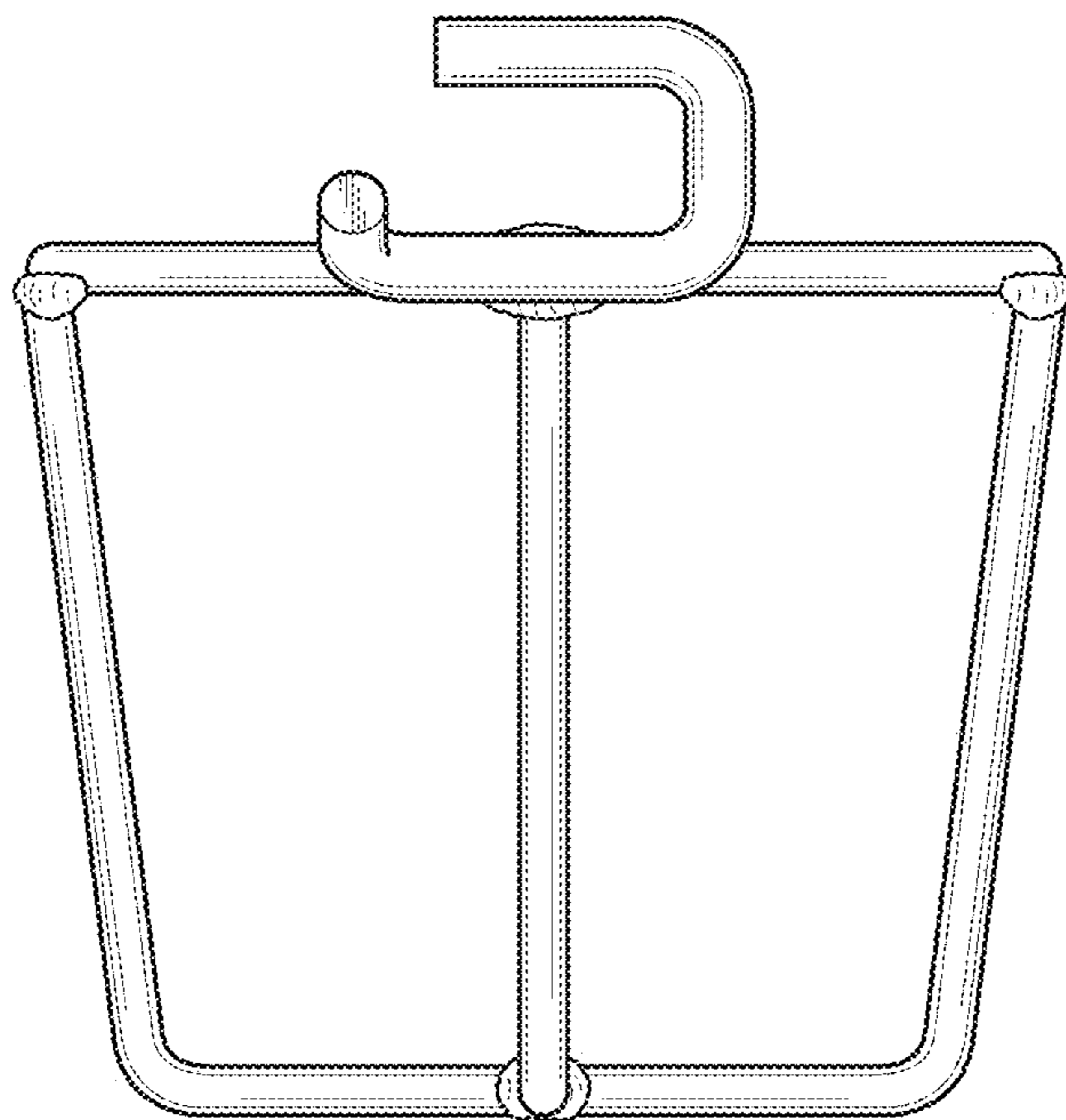


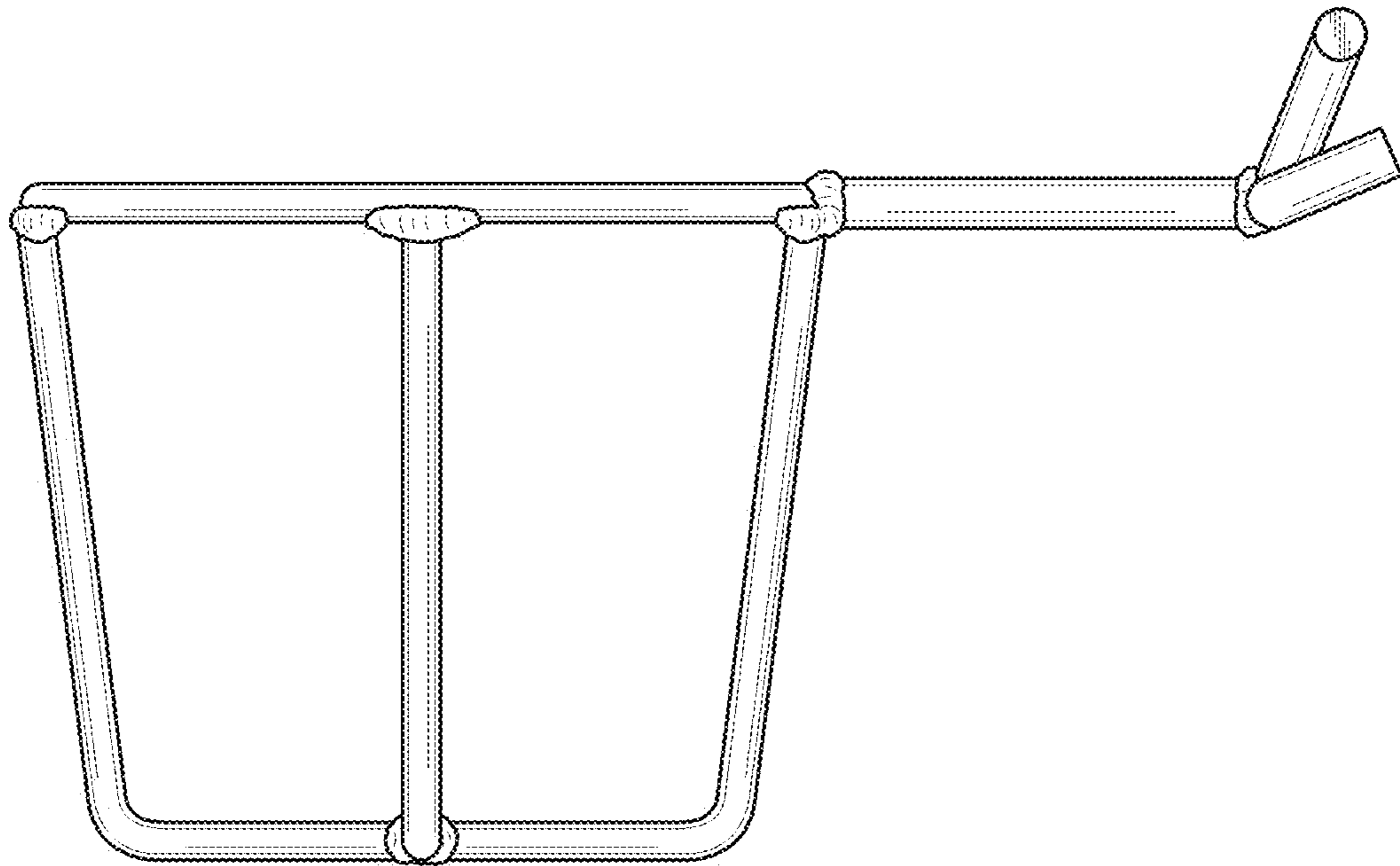
FIG. 2



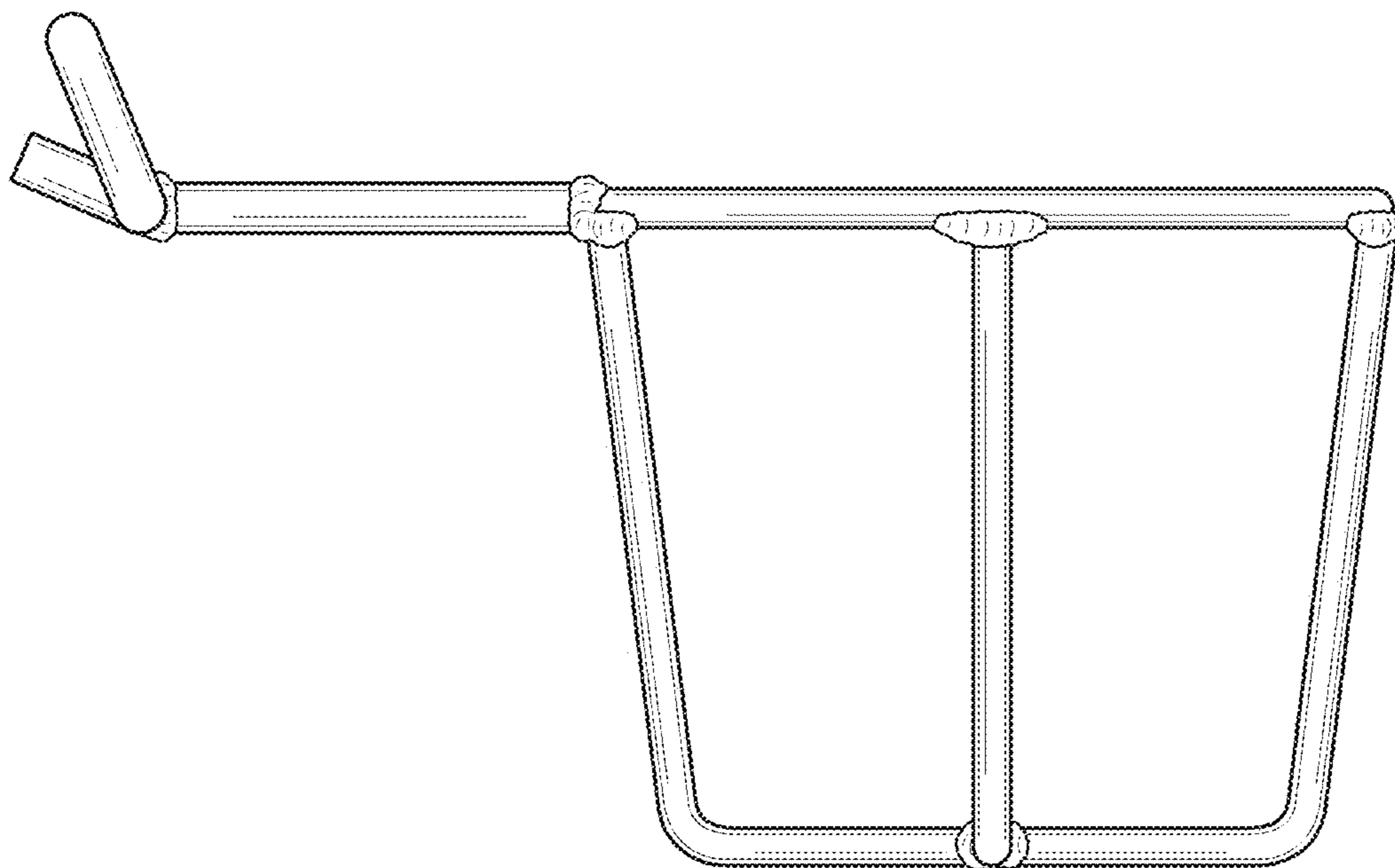
**FIG. 3**



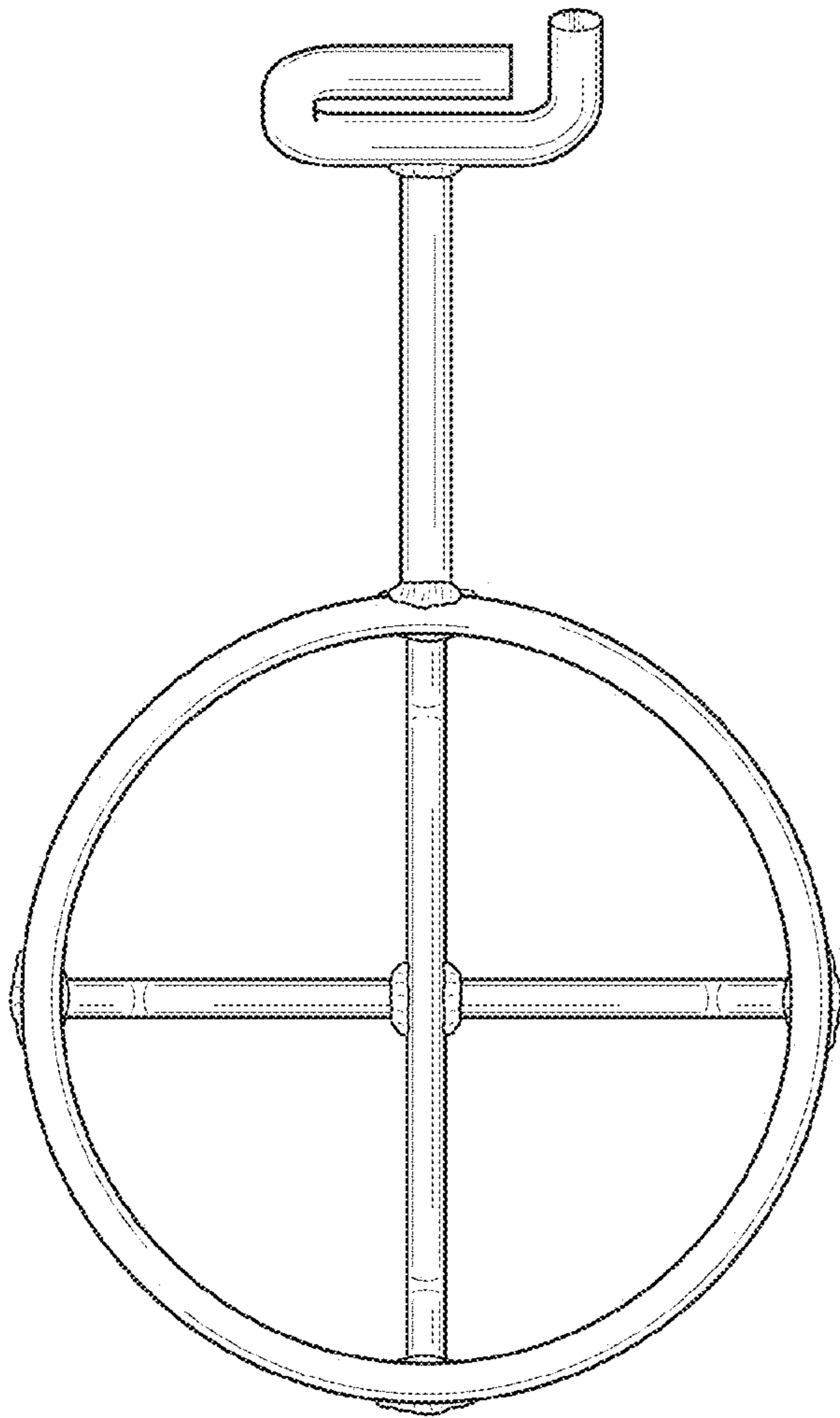
**FIG. 4**



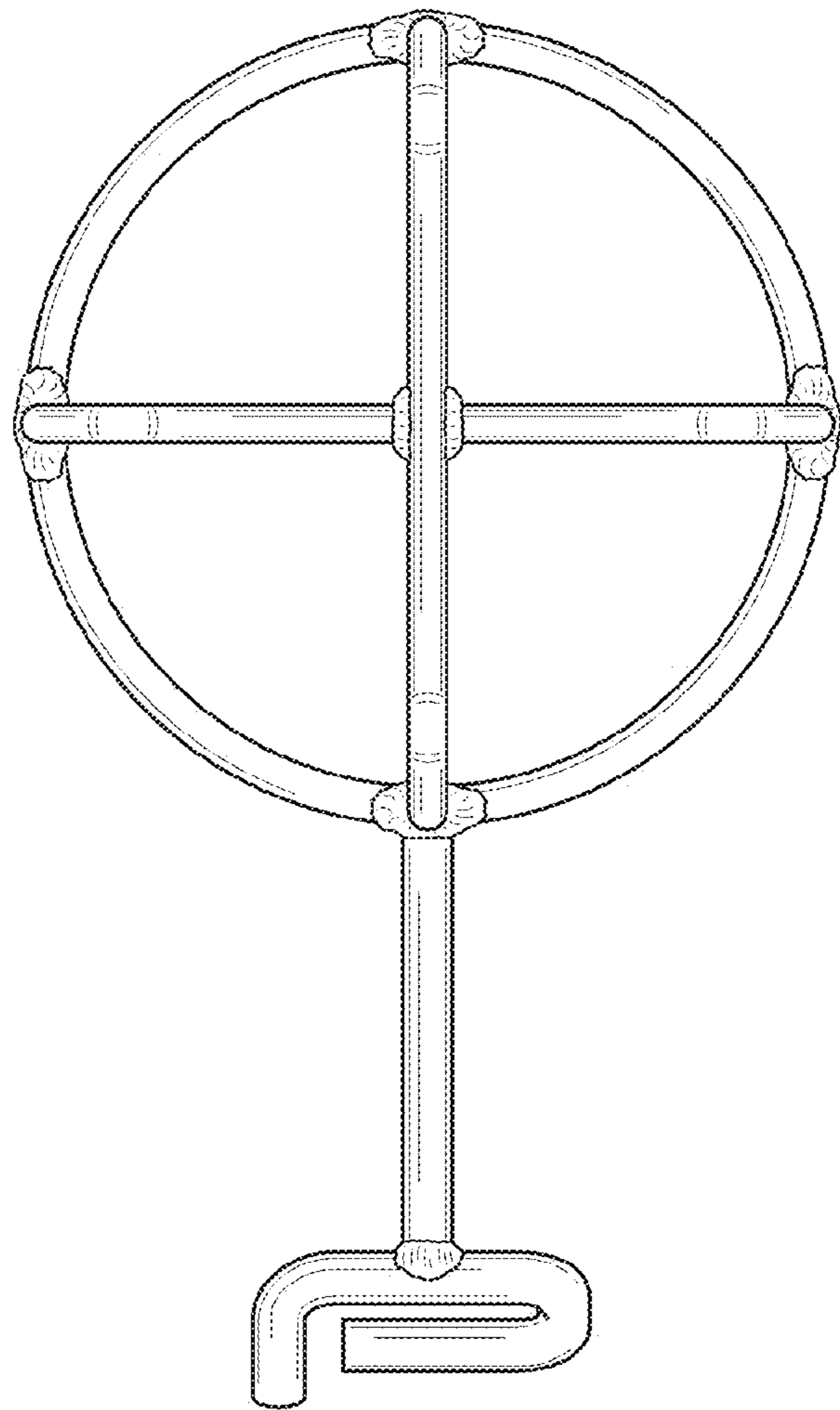
**FIG. 5**



**FIG. 6**



**FIG. 7**



**FIG. 8**