

US00D965391S

(12) **United States Design Patent** (10) **Patent No.:** **US D965,391 S**
Jones (45) **Date of Patent:** **** Oct. 4, 2022**

(54) **CAKE CUP**

(71) Applicant: **PACKED PARTY, INC.**, Austin, TX (US)

(72) Inventor: **Jordan Jones**, Austin, TX (US)

(73) Assignee: **PACKED PARTY, INC.**, Austin, TX (US)

(**) Term: **15 Years**

(21) Appl. No.: **29/762,426**

(22) Filed: **Dec. 16, 2020**

(51) **LOC (13) Cl.** **07-07**

(52) **U.S. Cl.**
USPC **D7/610**

(58) **Field of Classification Search**
USPC D7/506, 601, 602, 604, 610, 612, 613, D7/628; D3/271.1, 229; D9/600, 500, D9/516, 437, 434, 751, 428, 643, D9/702-714; D1/102, 105, 129
CPC A47G 19/22; B65D 25/10; B65D 25/00; B65D 25/16; B65D 1/36; B65D 1/32; B65D 1/34; B65D 85/36; B65D 85/30

See application file for complete search history.

(56) **References Cited**

U.S. PATENT DOCUMENTS

D488,952 S * 4/2004 Cubillos D7/357
D600,496 S * 9/2009 Fernandes D7/354
D704,061 S * 5/2014 Yip D9/451

* cited by examiner

Primary Examiner — Abraham Bahta

(74) *Attorney, Agent, or Firm* — Jackson Walker LLP; Blake T. Dietrich

(57) **CLAIM**

The ornamental design for a cake cup, as shown and described.

DESCRIPTION

FIG. 1 is a perspective view of a cake cup showing my new design;

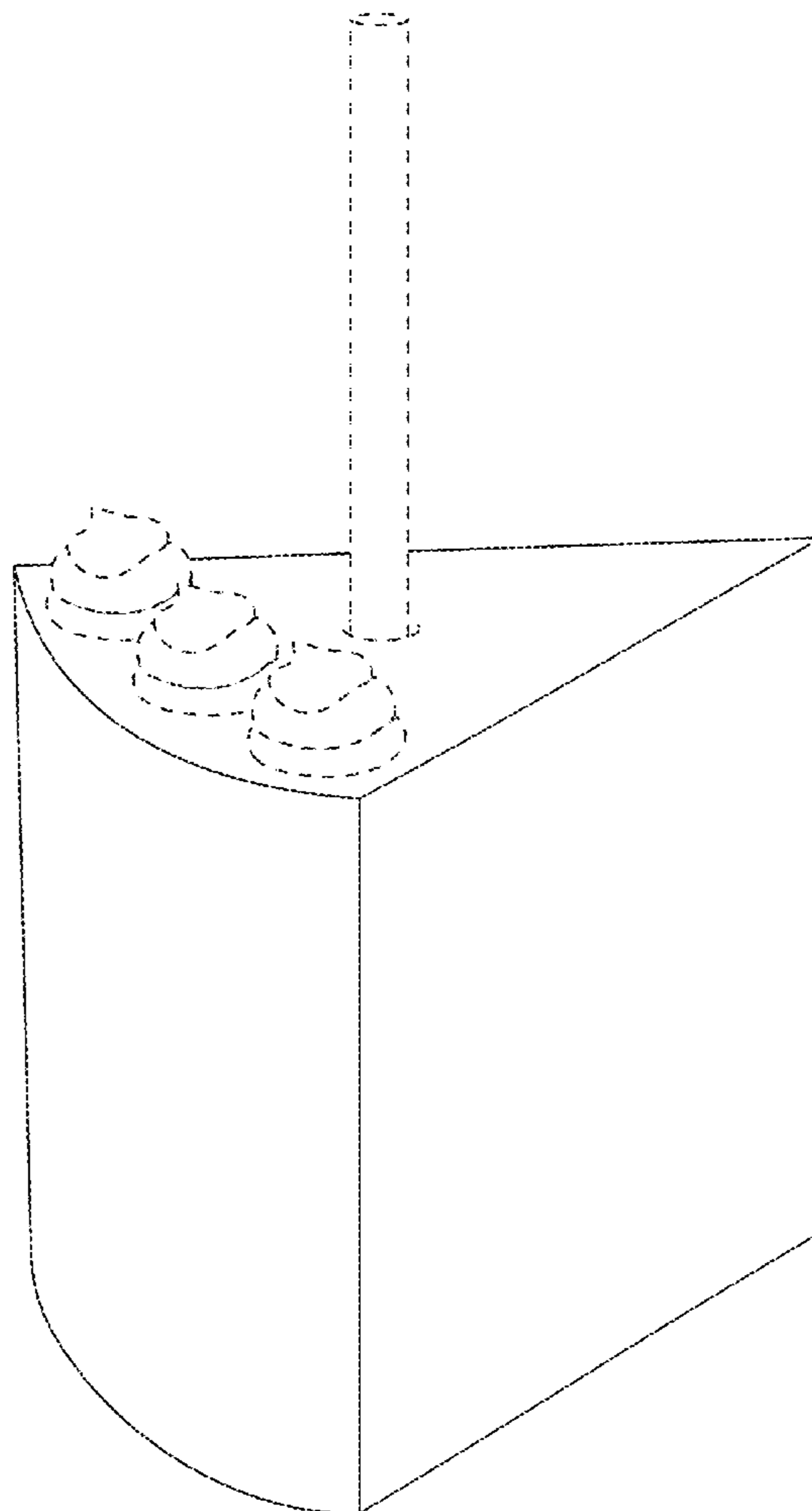
FIG. 2 is a front perspective view thereof;

FIG. 3 is a top view thereof; and,

FIG. 4 is a bottom view thereof.

The broken line showing of a straw and frosting feature is included for the purpose of illustrating environmental structure and forms no part of the claimed design.

1 Claim, 4 Drawing Sheets



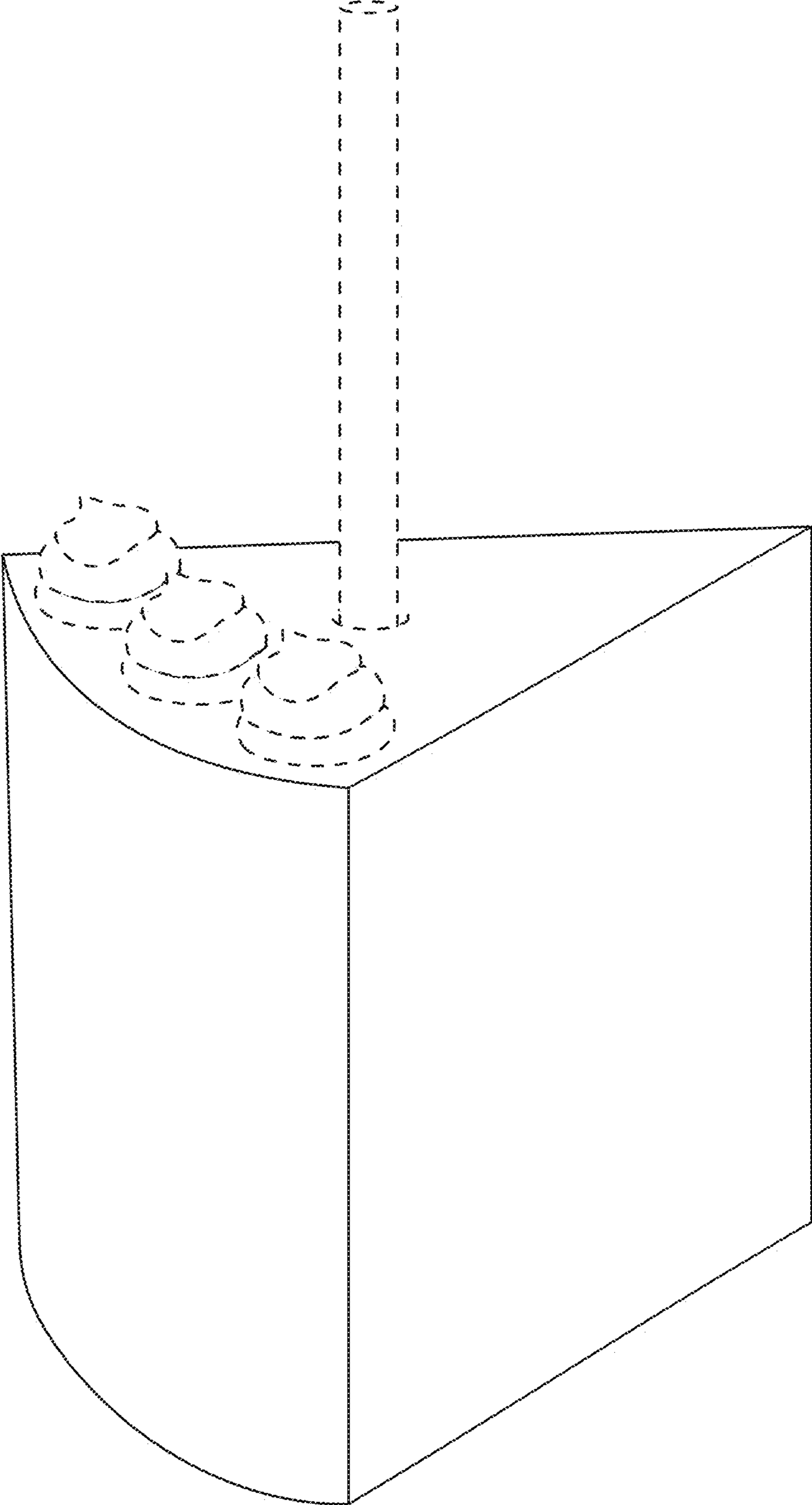


FIG. 1

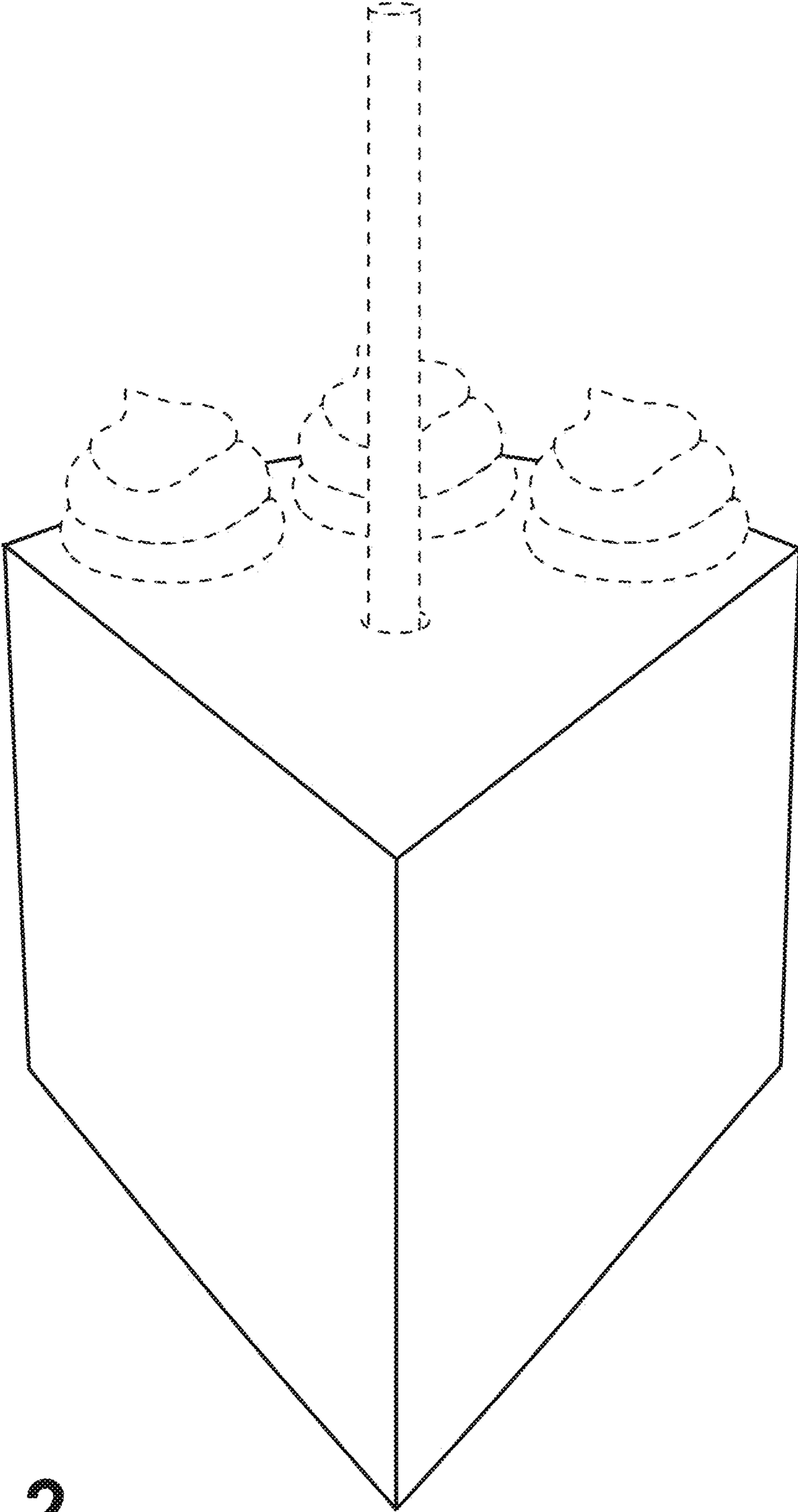


FIG. 2

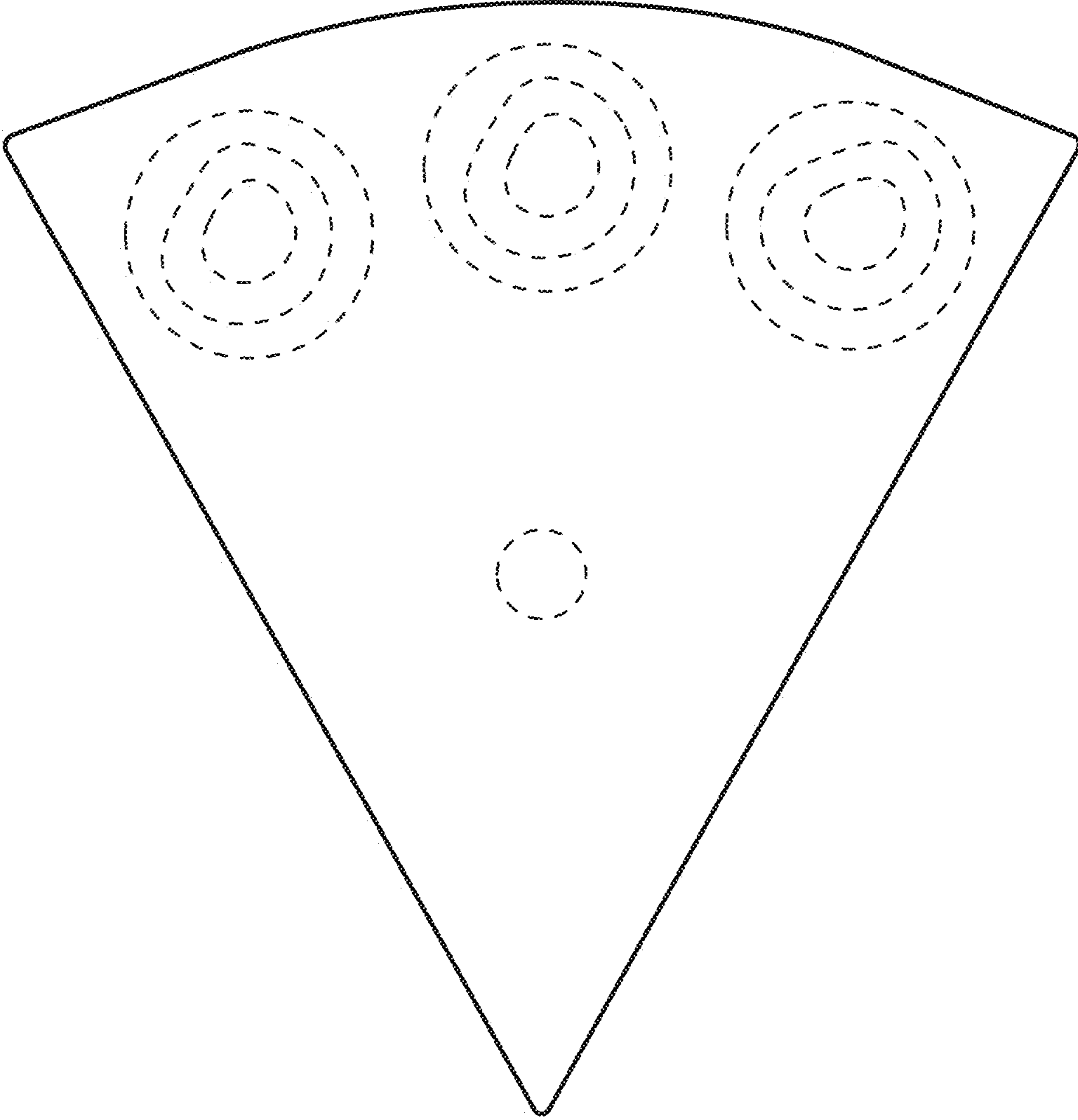


FIG. 3

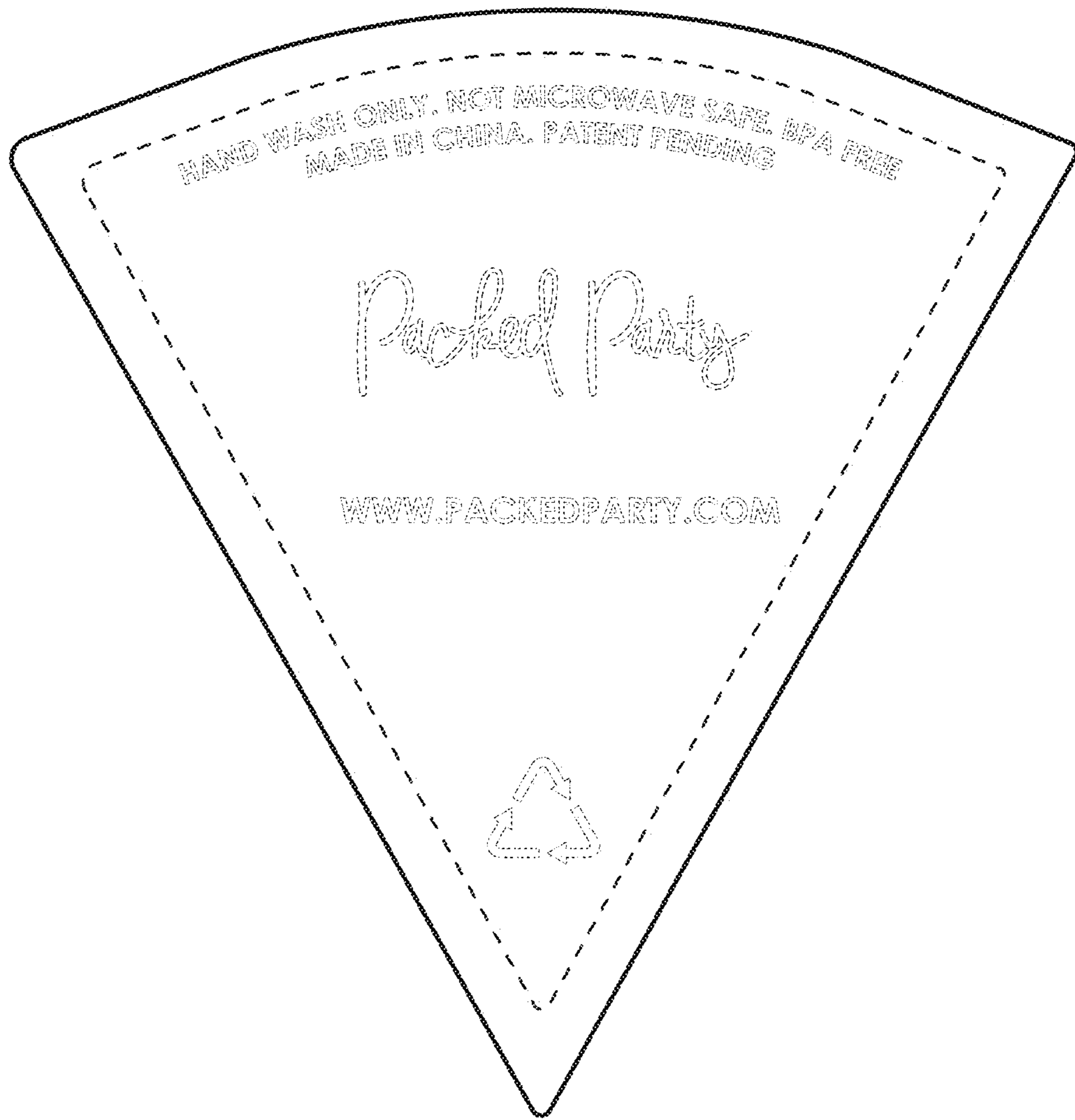


FIG. 4