

US00D965388S

(12) **United States Design Patent** (10) **Patent No.:** **US D965,388 S**
McCabe et al. (45) **Date of Patent:** **** Oct. 4, 2022**

(54) **BEVERAGE CONTAINER**

FOREIGN PATENT DOCUMENTS

(71) Applicant: **Leapfrog Product Development LLC**,
Chicago, IL (US)

CA 138914 * 10/2011

(72) Inventors: **Micaela K. McCabe**, Chicago, IL (US);
Steven N. Pinelli, Ogden Dunes, IN
(US); **Glen C. Gilmore, III**, Naperville,
IL (US); **Derek J. Leatzow**, Chicago,
IL (US); **Brian M. Clemens**,
Burnsville, MN (US); **Richard E.**
Ellison, Chicago, IL (US); **Kurtis M.**
Sward, Anna Maria, FL (US)

OTHER PUBLICATIONS

Thermos, "Under Armour Draft 24 Ounce Water Bottle," Jun. 1,
2011, Amazon.com, www.amazon.com/dp/B0053RW6EI (Year: 2011).*

(Continued)

Primary Examiner — Joseph Kukella

Assistant Examiner — Arva P Adams

(74) *Attorney, Agent, or Firm* — Barnes & Thornburg
LLP

(73) Assignee: **Leapfrog Product Development LLC**,
Chicago, IL (US)

(**) Term: **15 Years**

(57) **CLAIM**

We claim the ornamental design for a beverage container, as
shown and described.

(21) Appl. No.: **29/681,200**

(22) Filed: **Feb. 22, 2019**

(51) **LOC (13) Cl.** **07-01**

(52) **U.S. Cl.**

USPC **D7/511**; D7/536

(58) **Field of Classification Search**

USPC D7/392, 608, 523, 624.2, 532, 509, 413,
D7/529, 410, 552.1, 396.1, 324, 554.2,
D7/553.8, 555, 551.1, 702, 533, 553.2,
D7/624.1, 624.3, 553.5, 701, 600.1, 602,
D7/601, 683, 409, 383, 536, 553.6, 300.1,
D7/300, 507, 300.2, 900, 392.1, 591, 391,
D7/510, 511, 592; D9/449, 448, 445,
D9/530, 553, 443, 414, 415, 432, 434,
D9/435, 754, 527, 452, 529, 544, 455,

(Continued)

DESCRIPTION

FIG. 1 is a top perspective view of the beverage container
according to the new design.

FIG. 2 is a bottom perspective view of the beverage con-
tainer shown in FIG. 1.

FIG. 3 is a front elevation view of the beverage container
shown in FIG. 1.

FIG. 4 is a rear elevation view of the beverage container
shown in FIG. 1.

FIG. 5 is a left side elevation view of the beverage container
shown in FIG. 1.

FIG. 6 is a right side elevation view of the beverage
container shown in FIG. 1.

FIG. 7 is a top plan view of the water beverage container in
FIG. 1; and,

FIG. 8 is a bottom plan view of the water beverage container
in FIG. 1.

The broken lines in the drawings illustrate portions of the
beverage container that form no part of the claimed design.

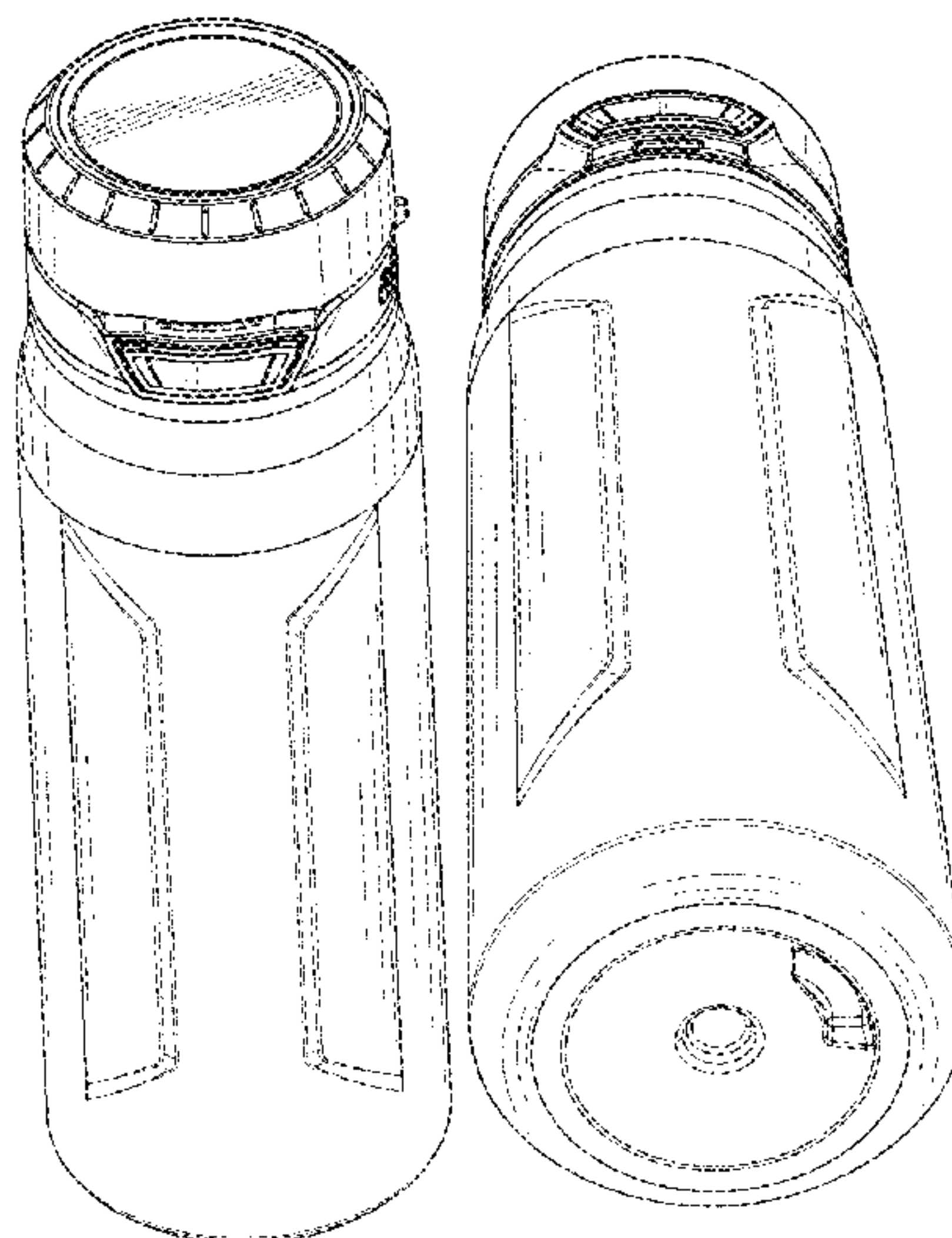
(56) **References Cited**

U.S. PATENT DOCUMENTS

D364,810 S 12/1995 Meisner
D455,611 S * 4/2002 Kitamura D7/608

(Continued)

1 Claim, 8 Drawing Sheets



(58) **Field of Classification Search**

USPC D9/702, 517, 456, 737, 553.3, 444, 504,
 D9/683, 501, 502, 541, 503, 454, 500,
 D9/689, 526; D3/202, 203.2, 294, 318,
 D3/203.3, 901; D11/130.1; D14/238;
 D6/681.3; D10/46.2, 46.3; 220/592, 557,
 220/568, 264, 714, 705, 710.5; D26/9;
 206/557; D24/121; D28/89, 91, 91.1,
 D28/88; 215/370, 2
 CPC A47G 23/06; A47G 19/2288; A47G
 19/2227; A47G 19/22; A47G 19/2205;
 A47G 19/2211; A47G 19/26; B65D
 41/04; B65D 51/24; B65D 53/02; B65D
 25/22; A47J 47/02

See application file for complete search history.

(56) **References Cited**

U.S. PATENT DOCUMENTS

D471,455 S	3/2003	Laveault et al.	
D485,132 S	1/2004	Ohno et al.	
D505,294 S *	5/2005	Gauss	D7/392.1
D508,185 S	8/2005	Gauss	
D515,357 S	2/2006	Ward et al.	
D528,862 S	9/2006	Li	
D533,061 S	12/2006	Li	
D564,841 S	3/2008	Clemens et al.	
D579,722 S	11/2008	Sakulsacha et al.	
D581,727 S	12/2008	Pinelli et al.	
D592,456 S	5/2009	Pinelli et al.	
D592,905 S	5/2009	Pinelli et al.	
D592,913 S	5/2009	Pinelli et al.	
7,546,933 B2	6/2009	Pinelli	
D596,460 S *	7/2009	Nezu	D7/510
D609,964 S	2/2010	Lane	
D641,241 S *	7/2011	Goto	D9/449
D643,249 S *	8/2011	Miller	D7/510
7,997,442 B2	8/2011	Pinelli	
D655,580 S *	3/2012	Kotani	D7/608
D656,787 S	4/2012	Phillips et al.	
D658,445 S *	5/2012	Carreno	D7/510
D661,945 S	6/2012	Eyal	
D675,060 S *	1/2013	Lane	D7/392.1
8,360,267 B1	1/2013	Chiou et al.	
D686,871 S *	7/2013	Lane	D7/392.1
D686,872 S *	7/2013	Lane	D7/392.1
D690,557 S *	10/2013	Carreno	D7/510
D693,629 S	11/2013	Miller	
D693,630 S	11/2013	Hurley	
8,579,133 B2	11/2013	Marcus et al.	
8,590,731 B2	11/2013	Pinelli	
D700,012 S	2/2014	Hurley	
D700,802 S	3/2014	Miller	
8,978,906 B2	3/2015	Feeley	
D725,966 S *	4/2015	Boroski	D7/511
D739,183 S *	9/2015	Lane	D7/605
9,266,643 B2	2/2016	Marcus et al.	
D758,189 S	6/2016	Roth et al.	
D758,790 S *	6/2016	Boroski	D7/392.1
D780,578 S *	3/2017	Lane	D9/445
D785,402 S	5/2017	Shirley et al.	
D793,804 S *	8/2017	Herbst	D7/392.1
D794,453 S *	8/2017	Boroski	D9/449
D795,011 S *	8/2017	Pisarevsky	D7/510
D798,664 S *	10/2017	Kristinik	D7/509
D799,898 S	10/2017	Yao	
D802,993 S	11/2017	Joseph et al.	
D804,903 S	12/2017	Mason et al.	
D804,904 S	12/2017	Noveletsky et al.	
D808,220 S	1/2018	Bums et al.	
D809,384 S	2/2018	Best et al.	
D814,398 S	4/2018	Yasunaga	
D817,713 S	5/2018	Lin	
D818,767 S	5/2018	Nezu	
D821,136 S	6/2018	Silsby et al.	

D821,137 S	6/2018	Boroski	
D821,815 S	7/2018	Chung	
D822,427 S	7/2018	Sorensen et al.	
D829,507 S *	10/2018	Breit	D7/529
D831,425 S	10/2018	Best et al.	
D831,433 S	10/2018	Fleischhut	
D835,939 S	12/2018	Yee et al.	
D839,044 S *	1/2019	Potter	D7/392
D848,787 S	5/2019	Tatsukawa et al.	
D853,181 S	7/2019	Stanton	
D853,784 S	7/2019	Wu	
D865,457 S	11/2019	Kotani	
D869,230 S	12/2019	Hao	
D870,509 S	12/2019	Bo	
D888,712 S *	6/2020	Tabata	D14/358
D892,558 S *	8/2020	Wang	D7/510
2011/0089059 A1	4/2011	Lane et al.	
2012/0312832 A1 *	12/2012	Lane	B65D 51/242 220/833
2014/0339177 A1	11/2014	Lane	
2015/0282654 A1 *	10/2015	Ku	B65D 43/163 220/254.5
2017/0297785 A1	10/2017	Maruyama et al.	
2020/0071027 A1 *	3/2020	Lane	B65D 47/088

OTHER PUBLICATIONS

Zulu, "Zulu Studio Bouteille," Dec. 10, 2017, Amazon.com, www.amazon.ca/dp/B0752QCNM3 (Year: 2017).*

Zulu, "ZULU Boost Tritan Shaker Bottle 28oz," Oct. 2, 2018, Amazon.com, www.amazon.com/dp/B07HYB7JXG (Year: 2018).*

Zulu Athletic, "Check out our new Swift Tritan Bottles," Feb. 20, 2019, Facebook.com, www.facebook.com/zuluwaterbottles/photos/a.215605928595734/1230200060469644 (Year: 2019).*

Zulu, "Atlas20 oz Glass Water Bottle," accessed on-line at: <https://www.zuluathletic.com/shop-all/atlas-glass-water-bottle> (available at least as early as Feb. 22, 2019).

Kor, "Vida Bottle—25oz," accessed on-line at: <https://waterbottles.com/kor-vida-bottle-25-oz> (available at least as early as Feb. 22, 2019).

Thermos, "Hydration Bottle with Rotating Intake Meter, 24oz," accessed on-line at: <https://www.thermos.com/genuine-thermos-brand-hydration-bottle-with-rotating-intake-meter-24oz.html> (available at least as early as Feb. 22, 2019).

Thermos, "Shaker Bottle with Integrated Mixer, 24oz," accessed on-line at: <https://www.thermos.com/genuine-thermos-brand-shaker-bottle-with-integrated-mixer-24oz-clear-green-accent.html> (available at least as early as Feb. 22, 2019).

Tervis, "Custom Water Bottle," accessed on-line at: <https://www.tervis.com/turtle-sunset-stainless-steel-24oz-stainless-water-bottle-1362572.html> (available at least as early as Feb. 22, 2019).

Swell, "Bottles," accessed on-line at: <https://www.swell.com/shop/swell/bottles/> (available at least as early as Feb. 22, 2019).

Tritan, "32 oz Soft Straw Plastic Water Bottle," accessed on-line at: <http://www.pogogear.com/32oz-tritan-straw> (available at least as early as Feb. 22, 2019).

Tritan, "32oz Chug Plastic Water Bottle," accessed on-line at: <http://www.pogogear.com/32oz-tritan-chug> (available at least as early as Feb. 22, 2019).

Tritan, "18oz Chug Plastic Water Bottle," accessed on-line at: <http://www.pogogear.com/18oz-tritan-chug> (available at least as early as Feb. 22, 2019).

Ello, "chi 24oz BPA-Free Tritan Plastic Water Bottle," accessed on-line at: <https://www.elloproducts.com/water-bottles/chi-24oz-plastic-water-bottle> (available at least as early as Feb. 22, 2019).

Ello, "Dash 16oz 2pk Tritan Plastic Water Bottles," accessed on-line at: <https://www.elloproducts.com/kids/dash-16oz-tritan-plastic-water-bottle> (available at least as early as Feb. 22, 2019).

Ello, "Cru Stemless Wine glass Set with Silicone Protection," accessed on-line at: <https://www.elloproducts.com/tumblers/cru-stemless-wine-glass-set-with-silicone-protection> (available at least as early as Feb. 22, 2019).

(56)

References Cited

OTHER PUBLICATIONS

Ello, "Elsie 22oz Glass Water Bottle," accessed on-line at: <https://www.elloproducts.com/water-bottles/elsie-22oz-glass-water-bottle> (available at least as early as Feb. 22, 2019).

Ello, "Beacon 24oz Vacuum Insulated Stainless Tumbler," accessed on-line at: <https://www.elloproducts.com/tumblers/beacon-24oz-vacuum-insulated-stainless-tumbler> (available at least as early as Feb. 22, 2019).

Ello, "Rise 12oz Vacuum Insulated Stainless Steel Tumbler with Optional Straw," accessed on-line at: <https://www.elloproducts.com/kids/rise-12oz-vacuum-insulated-stainless-steel-tumbler> (available at least as early as Feb. 22, 2019).

Ello, "Hammertime 18oz Stainless Steel Travel Mug," accessed on-line at: <https://www.elloproducts.com/travel-mugs/hammertime-18oz-vacuum-insulated-stainless-steel-travel-mug> (available at least as early as Feb. 22, 2019).

Ello, "Pure 20oz Glass Water Bottle," accessed on-line at: <https://www.elloproducts.com/water-bottles/pure-20oz-glass-water-bottle> (available at least as early as Feb. 22, 2019).

Ello, "Max 12oz Vacuum-Insulated Stainless Steel Kids Water Bottle," accessed on-line at: <https://www.elloproducts.com/kids/max-12oz-vacuum-insulated-stainless-steel-kids-water-bottle> (available at least as early as Feb. 22, 2019).

Ello, "Syndicate 20oz Glass Water Bottle," accessed on-line at: <https://www.elloproducts.com/water-bottles/syndicate-20oz-glass-water-bottle> (available at least as early as Feb. 22, 2019).

Camelbak, "Eddy+ 1L Bottle," accessed on-line at: https://www.camelbak.com/en/bottles/R02056--Eddy_75L_2019?color=6bbd0584f3a64b0eb30d406f7e03797e (available at least as early as Feb. 22, 2019).

Contigo, "Autoseal West Loop 2.0 Stainless," accessed on-line at: <https://www.gocontigo.com/20-oz-autoseal-west-loop-stainless-travel-mug-with-easy-clean-lid.html> (available at least as early as Feb. 22, 2019).

Contigo, "Autospout Straw Striker Chill," accessed on-line at: <https://www.gocontigo.com/14-oz-autospout-striker-kids-water-bottle.html> (available at least as early as Feb. 22, 2019).

Zojirushi, "Travel Mug SM-YAE48," accessed on-line at: <https://www.zojirushi.com/app/product/smyae> (available at least as early as Feb. 22, 2019).

Zojirushi, "Stainless Mug SM-KC3648," accessed on-line at: <https://www.zojirushi.com/app/product/smkc> (available at least as early as Feb. 22, 2019).

Zojirushi, "Stainless Bottle SJ-JS10," accessed on-line at: <https://www.zojirushi.com/app/product/sjjs> (available at least as early as Feb. 22, 2019).

Zojirushi, "Flip-and-Go Stainless Mug SM-QHE48/60," accessed on-line at: <https://www.zojirushi.com/app/product/smqhe> (available at least as early as Feb. 22, 2019).

Zojirushi, "Stainless Mug SM-TAE48SA, Ichimatsu Collection," accessed on-line at: <https://www.zojirushi.com/app/product/smtae> (available at least as early as Feb. 22, 2019).

Zojirushi, "Stainless Mug SM-TA36/48/60," accessed on-line at: <https://www.zojirushi.com/app/product/smta> (available at least as early as Feb. 22, 2019).

Zojirushi, "Stainless Mug SM-SE36/48/60," accessed on-line at: <https://www.zojirushi.com/app/product/smse> (available at least as early as Feb. 22, 2019).

Zojirushi, "Stainless Mug SM-SD36/48/60," accessed on-line at: <https://www.zojirushi.com/app/product/smsd> (available at least as early as Feb. 22, 2019).

Zojirushi, "Stainless Mug SM-SHE48/60," accessed on-line at: <https://www.zojirushi.com/app/product/smshe> (available at least as early as Feb. 22, 2019).

Zojirushi, "Stainless Mug SM-KHE36/48," accessed on-line at: <https://www.zojirushi.com/app/product/smke> (available at least as early as Feb. 22, 2019).

Zojirushi, "Stainless Mug SM-SC36/48/60" accessed on-line at: <https://www.zojirushi.com/app/product/smsc> (available at least as early as Feb. 22, 2019).

Zojirushi, "Stainless Mug SM-KC36/48," accessed on-line at: <https://www.zojirushi.com/app/product/smkc> (available at least as early as Feb. 22, 2019).

Zojirushi, "Stainless Mug SM-PC20/30," accessed on-line at: <https://www.zojirushi.com/app/product/smpc> (available at least as early as Feb. 22, 2019).

Zojirushi, "Stainless Mug SM-PB30/34," accessed on-line at: <https://www.zojirushi.com/app/product/smpb> (available at least as early as Feb. 22, 2019).

Migo, "Enjoy Sport Water Bottle," accessed on-line at: <https://www.pinterest.ru/pin/12666442685646757/> (available at least as early as Feb. 22, 2019).

Coleman, "Switch SS," accessed on-line at: https://www.coleman.com/all-camp-kitchen/drinkware/switch-ss/col_2038485_pr/COL_2038485 (available at least as early as Feb. 22, 2019).

Corkcicle, "Classic Arctican," accessed on-line at: <https://corkcicle.com/products/classic-arctican?variant=475182759951> (available at least as early as Feb. 22, 2019).

* cited by examiner

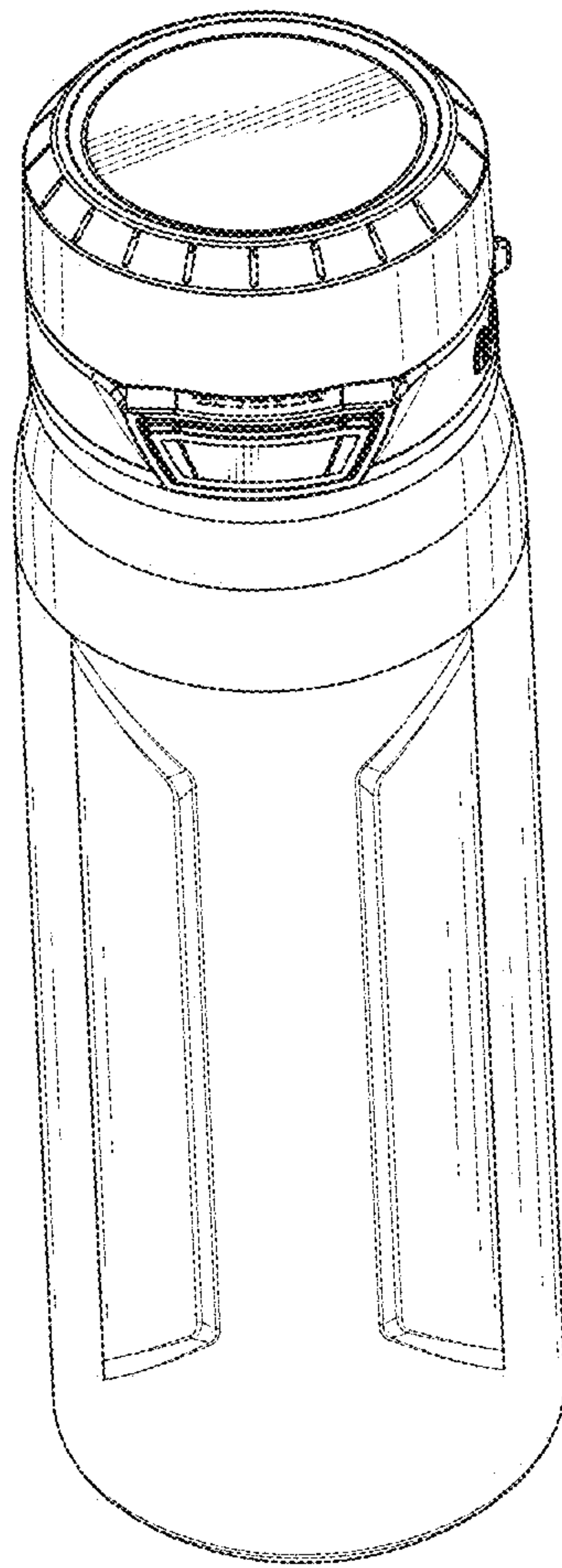


FIG. 1

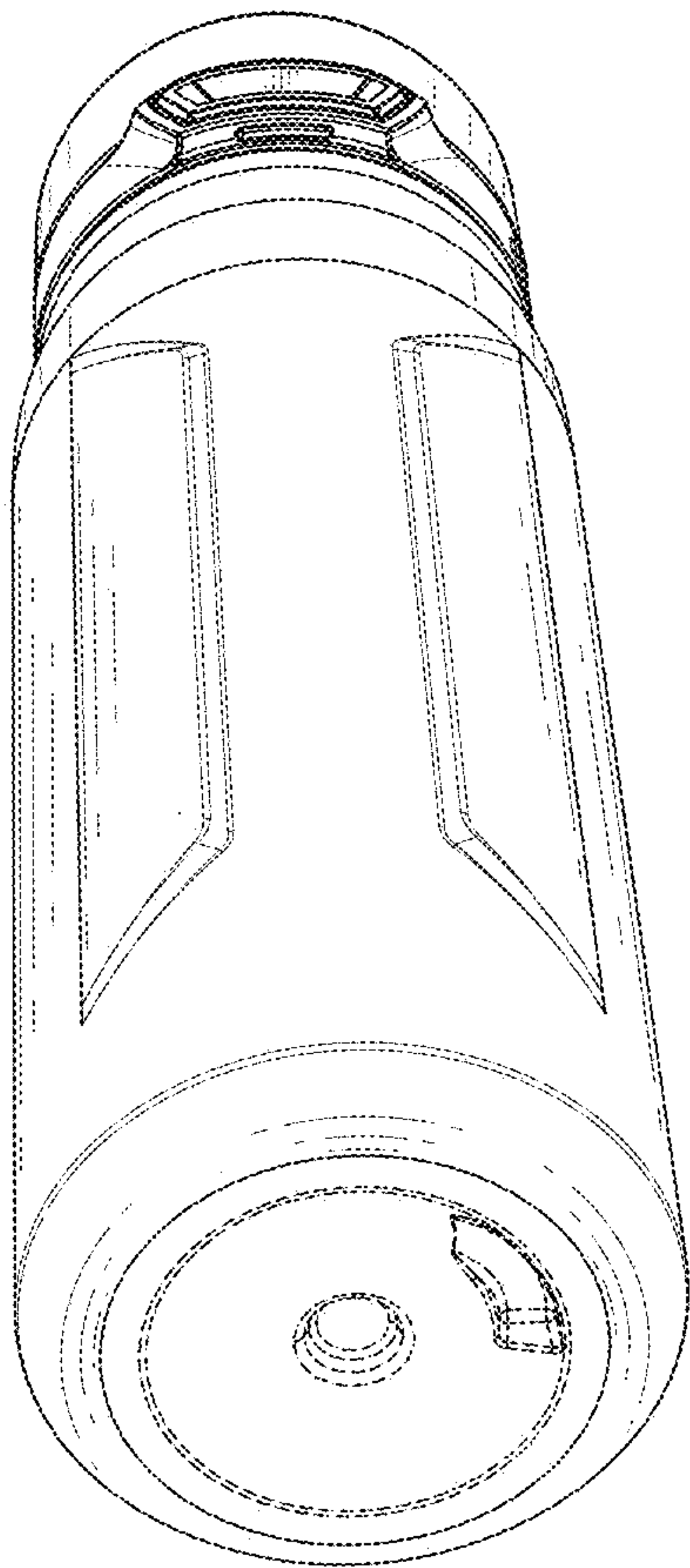


FIG. 2

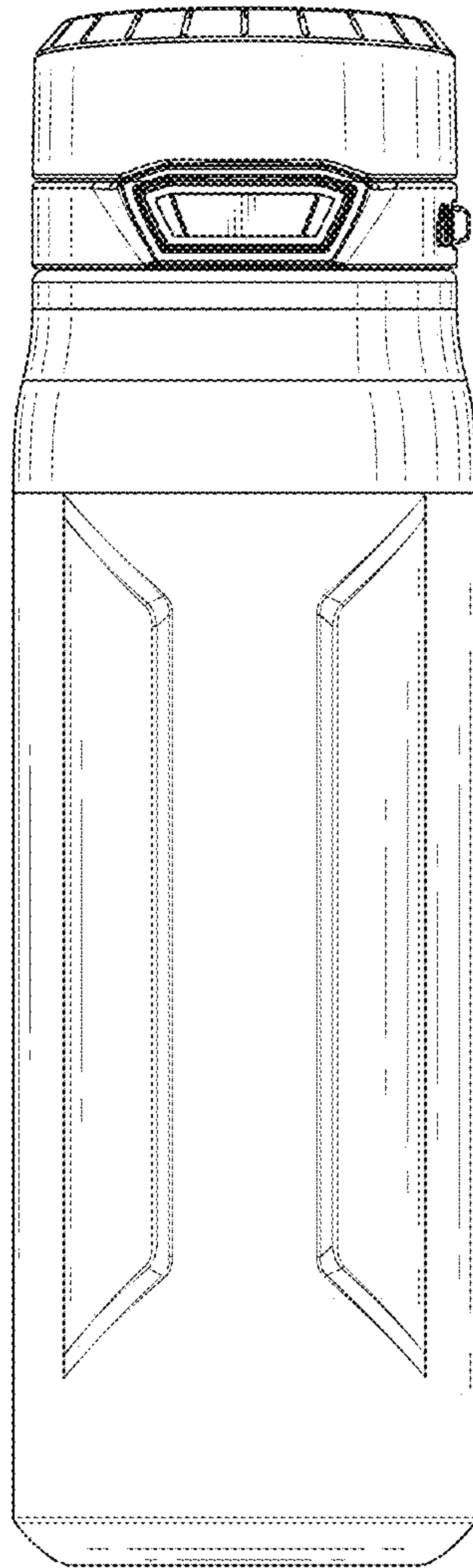


FIG. 3

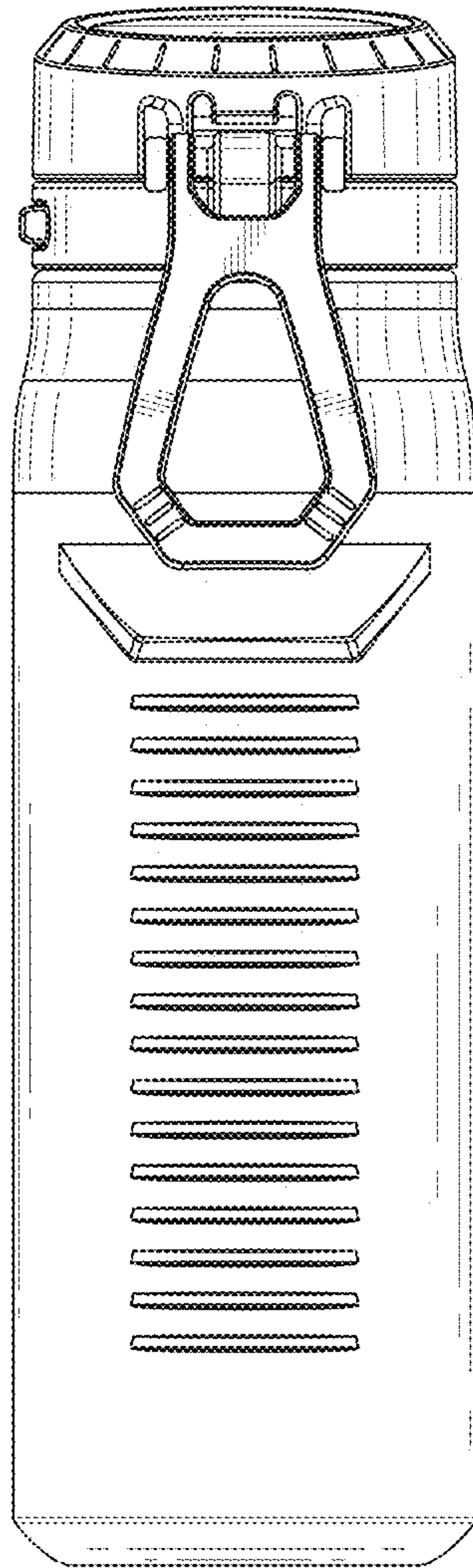


FIG. 4

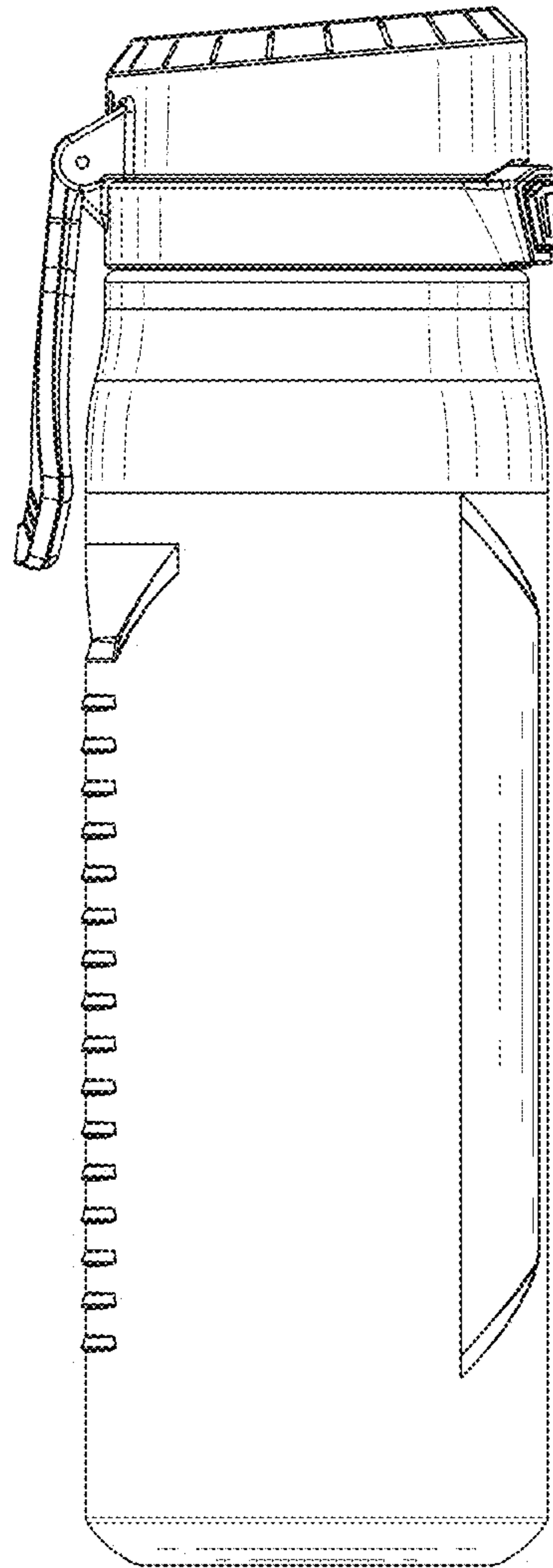


FIG. 5

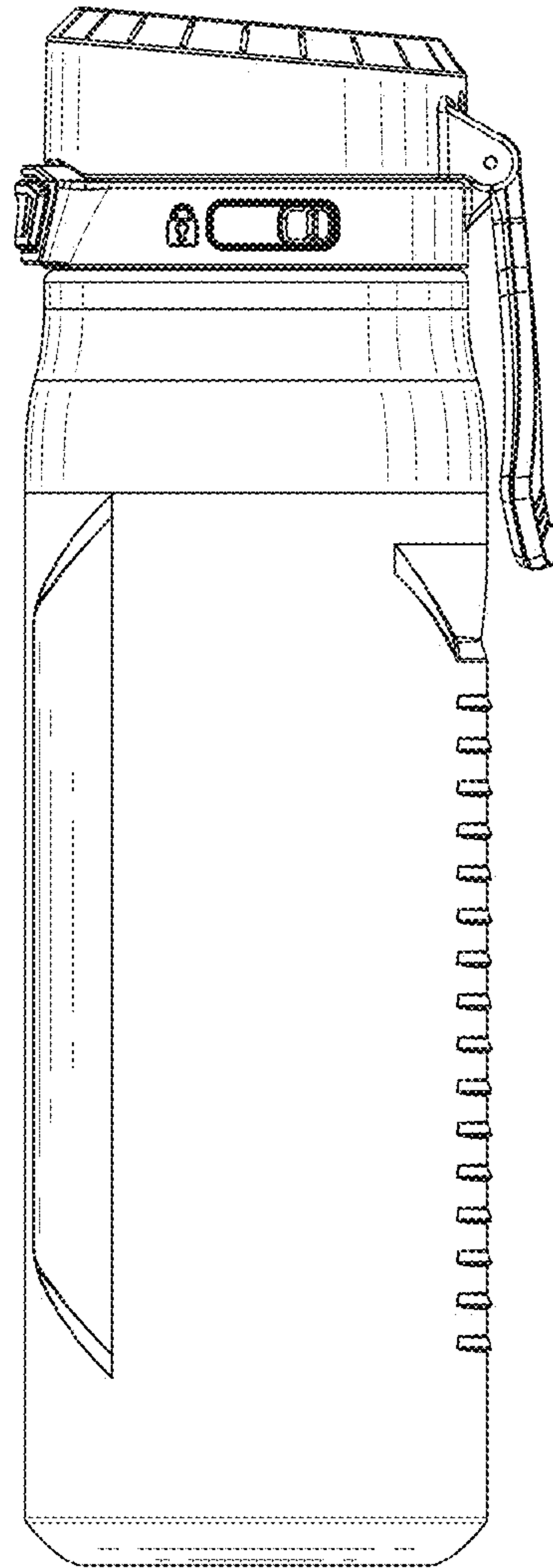


FIG. 6

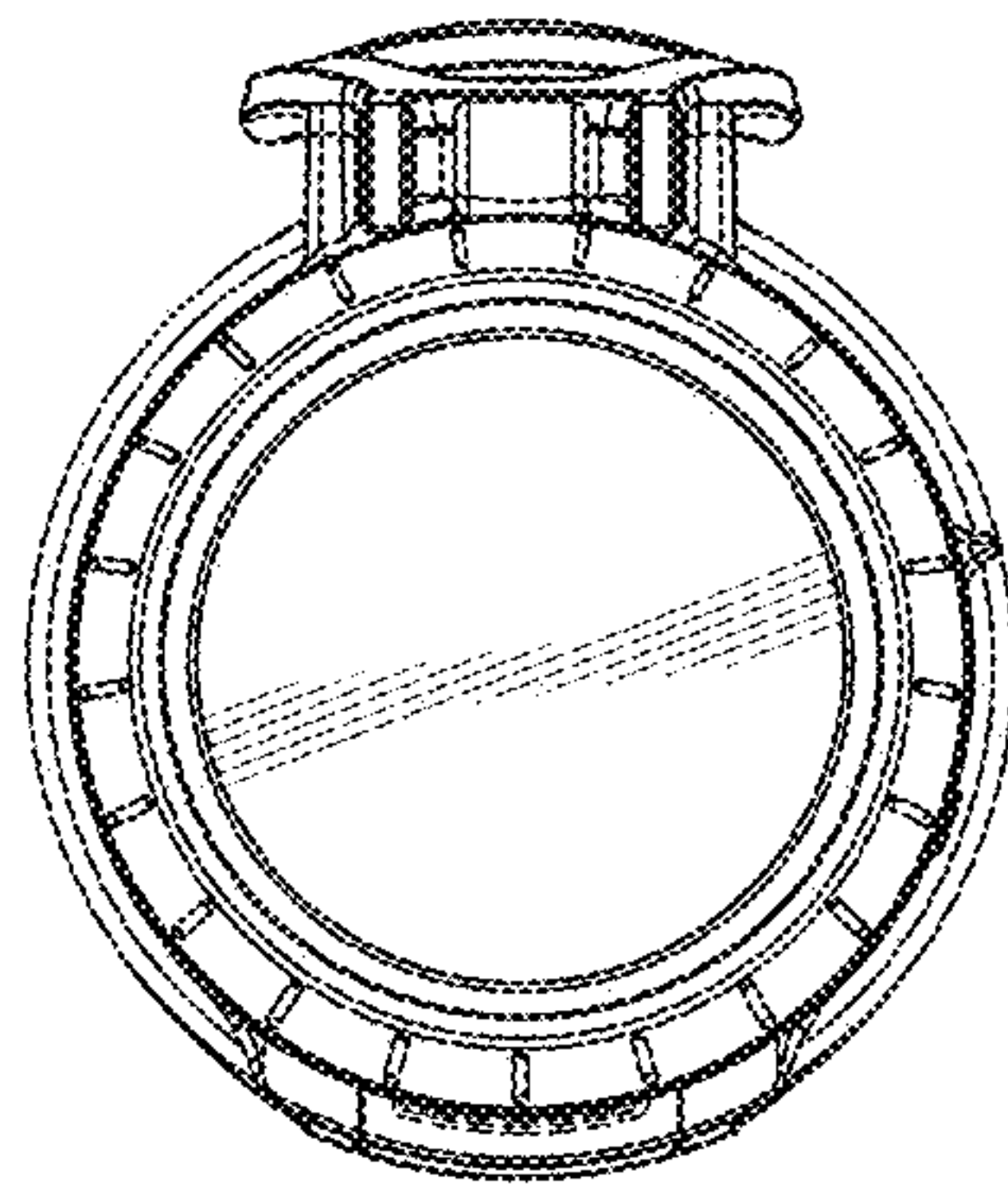


FIG. 7

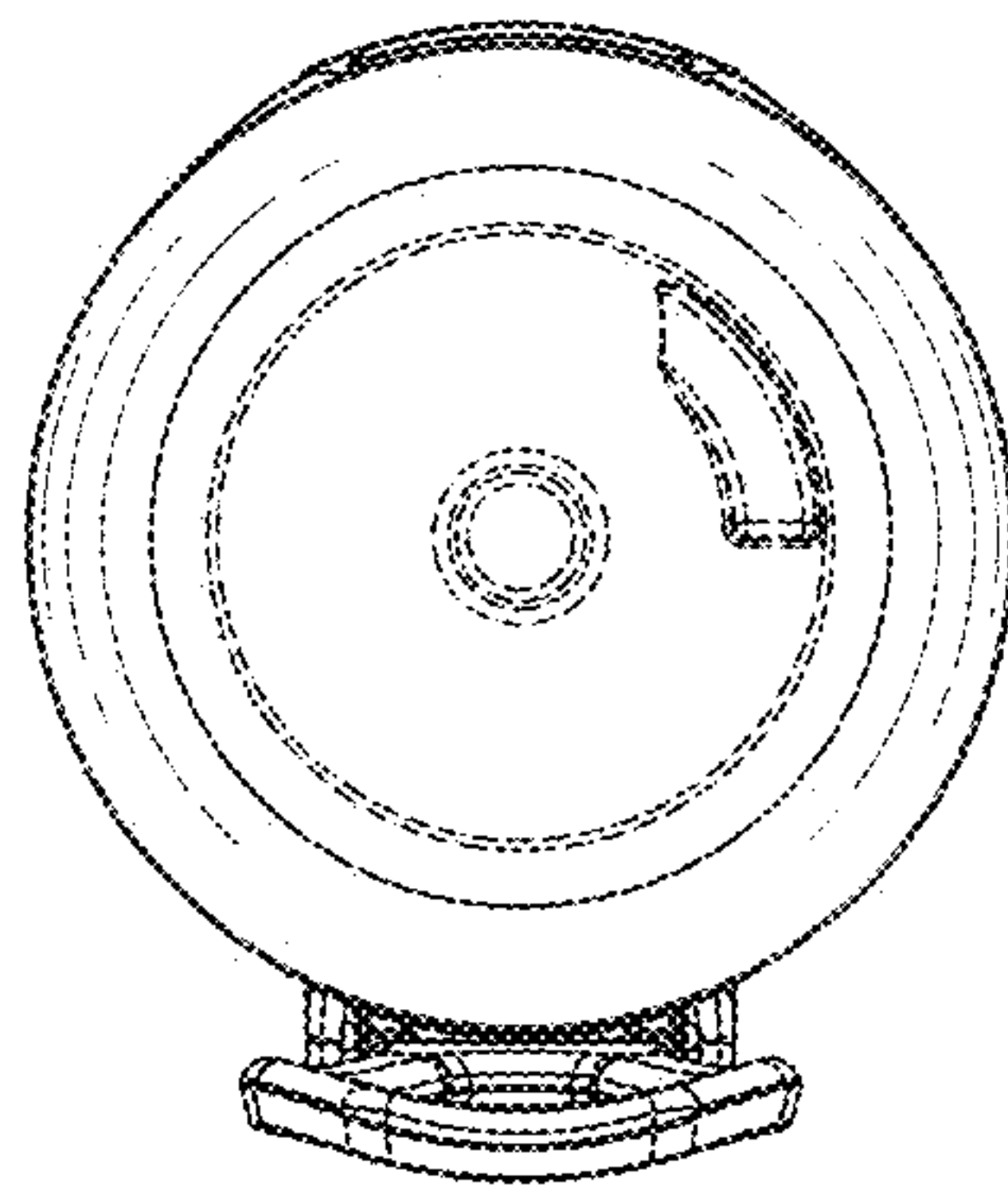


FIG. 8