



US00D965387S

(12) **United States Design Patent** (10) **Patent No.:** **US D965,387 S**
Remele et al. (45) **Date of Patent:** **** Oct. 4, 2022**

(54) **CARRY LOOP**

(71) Applicant: **Oak Hill Brands Corp.**, Lombard, IL
(US)

(72) Inventors: **Shaun Remele**, Elmwood Park, IL
(US); **Jon Fisher**, Downers Grove, IL
(US)

(73) Assignee: **Oak Hill Brands Corp.**, Lombard, IL
(US)

(**) Term: **15 Years**

(21) Appl. No.: **29/741,990**

(22) Filed: **Jul. 17, 2020**

(51) **LOC (13) Cl.** **07-99**

(52) **U.S. Cl.**
USPC **D7/396.2**; D9/446

(58) **Field of Classification Search**
USPC D9/434, 435, 436, 437, 438, 443, 445,
D9/446, 449, 450, 452, 453, 454, 455,
D9/499, 527, 528, 530, 531; D7/393,
D7/394, 395, 396.1, 396.2, 392.1;
D3/207, 215

CPC A61J 1/00; A61J 1/1412
See application file for complete search history.

(56) **References Cited**

U.S. PATENT DOCUMENTS

- 221,571 A * 11/1879 Jopson A44B 15/00
70/459
- D24,291 S * 5/1895 Somers D9/434
- D37,560 S * 9/1905 Nutrizio D7/393
- D157,859 S * 3/1950 Glukes D9/434
- D203,713 S * 2/1966 Khoury D9/438
- D212,461 S * 10/1968 Peters D9/438
- D224,964 S * 10/1972 Saunders D9/438
- D252,356 S * 7/1979 Garcia D3/207
- D276,504 S * 11/1984 Moran D9/434
- D277,080 S * 1/1985 Gagnon D9/434
- D308,828 S * 6/1990 Magnusson D9/438
- D362,621 S * 9/1995 Blocker D9/434
- D489,256 S * 5/2004 Kelleghan D9/434

- D489,618 S * 5/2004 Startek D9/434
- D502,395 S * 3/2005 Blanchester D9/434
- D531,500 S * 11/2006 Perry D9/434
- D620,796 S * 8/2010 McEldowney D9/438

(Continued)

OTHER PUBLICATIONS

Amazon. Momentop Hydration Sports Bottle with Easy-Carry Loop Handle. First available Aug. 30, 2021. Visited Jul. 18, 2022. <https://www.amazon.com/Momentop-Hydration-Sports-Bottle-Easy-Carry/dp/B09DZZ87XN?th=1> (Year: 2021).*

Etsy. Glitter Ombre Water Bottle—Carry Loop—Double Walled. Listed Jun. 15, 2022. Visited Jul. 18, 2022. <https://www.etsy.com/listing/598963338/glitter-ombre-water-bottle-carry-loop> (Year: 2022).*

Mason Jars. New reCAP® Mason Jar Pour Lid. Publication date unavailable. Visited Jul. 18, 2022. <https://masonjars.com/recap-mason-jars-lid-pour-cap-carabiner-2.html?> (Year: 0).*

(Continued)

Primary Examiner — Darcey E Gottschalk

Assistant Examiner — Vanessa M. Pursley

(74) *Attorney, Agent, or Firm* — Anthony J. Bourget

(57) **CLAIM**

The ornamental design for a carry loop, as shown and described.

DESCRIPTION

FIG. 1 is a front perspective view of the carry loop showing the new design;

FIG. 2 is a rear perspective view thereof;

FIG. 3 is a front view thereof;

FIG. 4 is a rear view thereof;

FIG. 5 is a right side view thereof, the left side being a mirror image;

FIG. 6 is a top view thereof in a representative use;

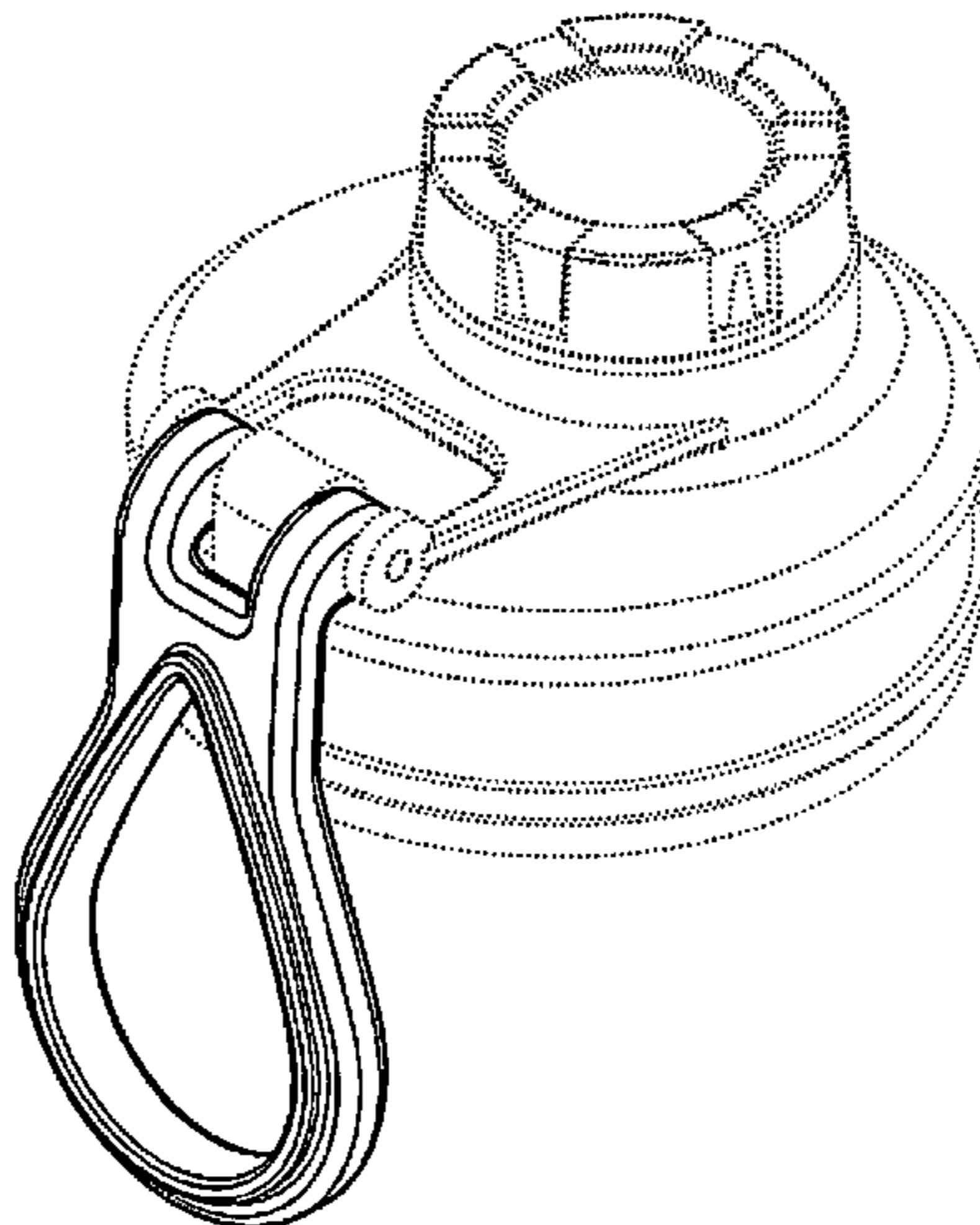
FIG. 7 is a bottom view thereof in a representative use;

FIG. 8 is a front perspective view thereof in a representative use; and,

FIG. 9 is a front view thereof in a representative use.

Broken lines which illustrate features of a lid and bottle form no part of the claimed design.

1 Claim, 9 Drawing Sheets



(56)

References Cited

U.S. PATENT DOCUMENTS

D626,409	S	*	11/2010	Hooley	D9/434
D639,653	S	*	6/2011	Kanda	D9/434
D646,042	S	*	9/2011	Hatcher	D34/27
D657,618	S	*	4/2012	Wahl	D7/392.1
D667,215	S	*	9/2012	DeGrouchy	D9/434
D674,693	S	*	1/2013	Moorhouse	D9/434
D676,708	S	*	2/2013	Lane	D7/510
D708,943	S	*	7/2014	van Goolen	D9/438
D752,917	S	*	4/2016	Ksiazek	D7/394
D760,078	S	*	6/2016	Shugar	D9/436
D772,652	S	*	11/2016	Yao	D7/510
D777,511	S	*	1/2017	Williams	D20/28
D792,742	S	*	7/2017	Meyers	D7/523
D798,655	S	*	10/2017	Barberi	D7/393
D821,136	S	*	6/2018	Silsby	D7/392.1
D871,914	S	*	1/2020	Harte	D9/503
D903,404	S	*	12/2020	Bram	D9/449
D920,041	S	*	5/2021	Chen	D7/396.2
D940,556	S	*	1/2022	Webster	D9/434
2018/0215506	A1	*	8/2018	Burns	B65D 23/104

OTHER PUBLICATIONS

ThermoFlask. 24oz Bottle Two Pack w/ Spout Lid. Publication date unavailable. Visited Jul. 18, 2022. <https://mythermoflask.com/products/thermoflask-bottle-with-chug-lid-and-straw-lid-18oz-available-in-five-colors?> (Year: 0).*

Amazon. HAPHOM Insulated Water Bottle. First available Aug. 23, 2020. Visited Jul. 18, 2022. <https://www.amazon.com/HAPHOM-Bottle-Stainless-Anti-Rust-Suitable/dp/B08BRRDRJ1/> (Year: 2020).*

Youtube. Best Gym Bottle (Unisex) Adidas Training TR Bottle—BR6770. Published Oct. 23, 2018 by “Aeronz”. Visited Jul. 25, 2022. <https://www.youtube.com/watch?v=bRbAMi106Fw> (Year: 2018).*

Amazon. Luxe Hydration Silicone Water Bottle Carrier Loop Handle. First available Sep. 26, 2019. Visited Jul. 25, 2022. <https://www.amazon.com/2-Pack-Hydration-Carrier-Stainless-Bottles/dp/B07YDR5THB> (Year: 2019).*

* cited by examiner

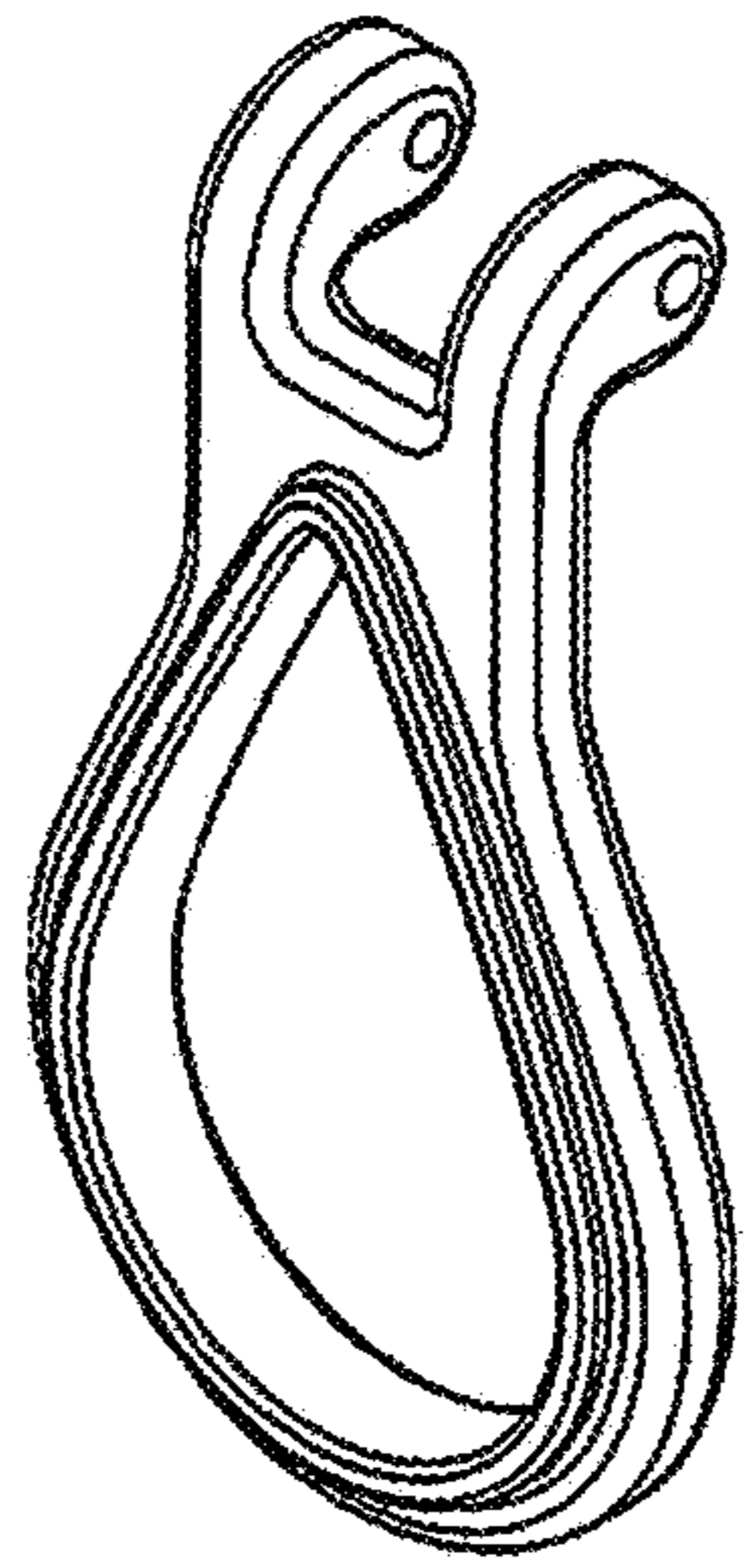


FIG. 1

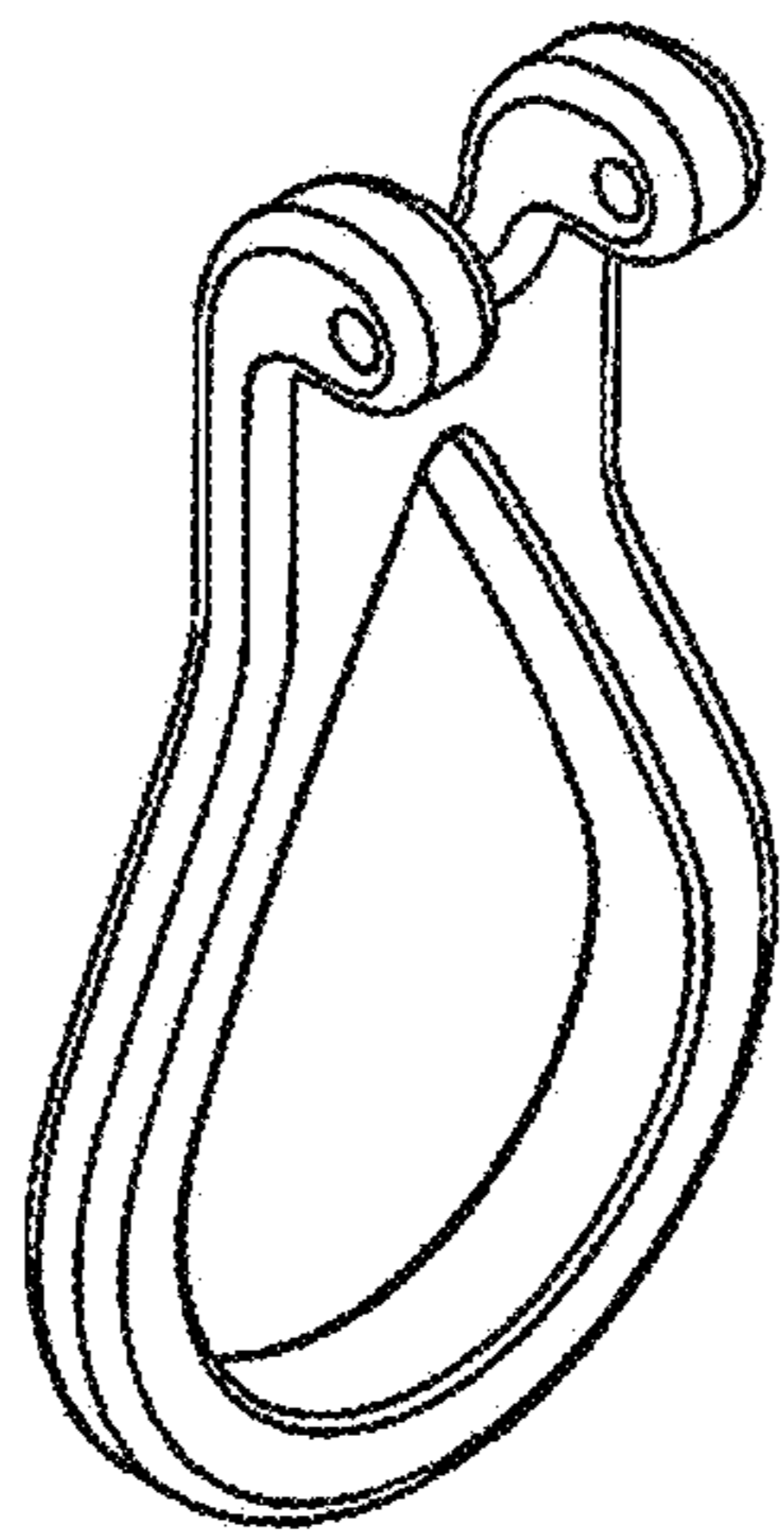


FIG. 2

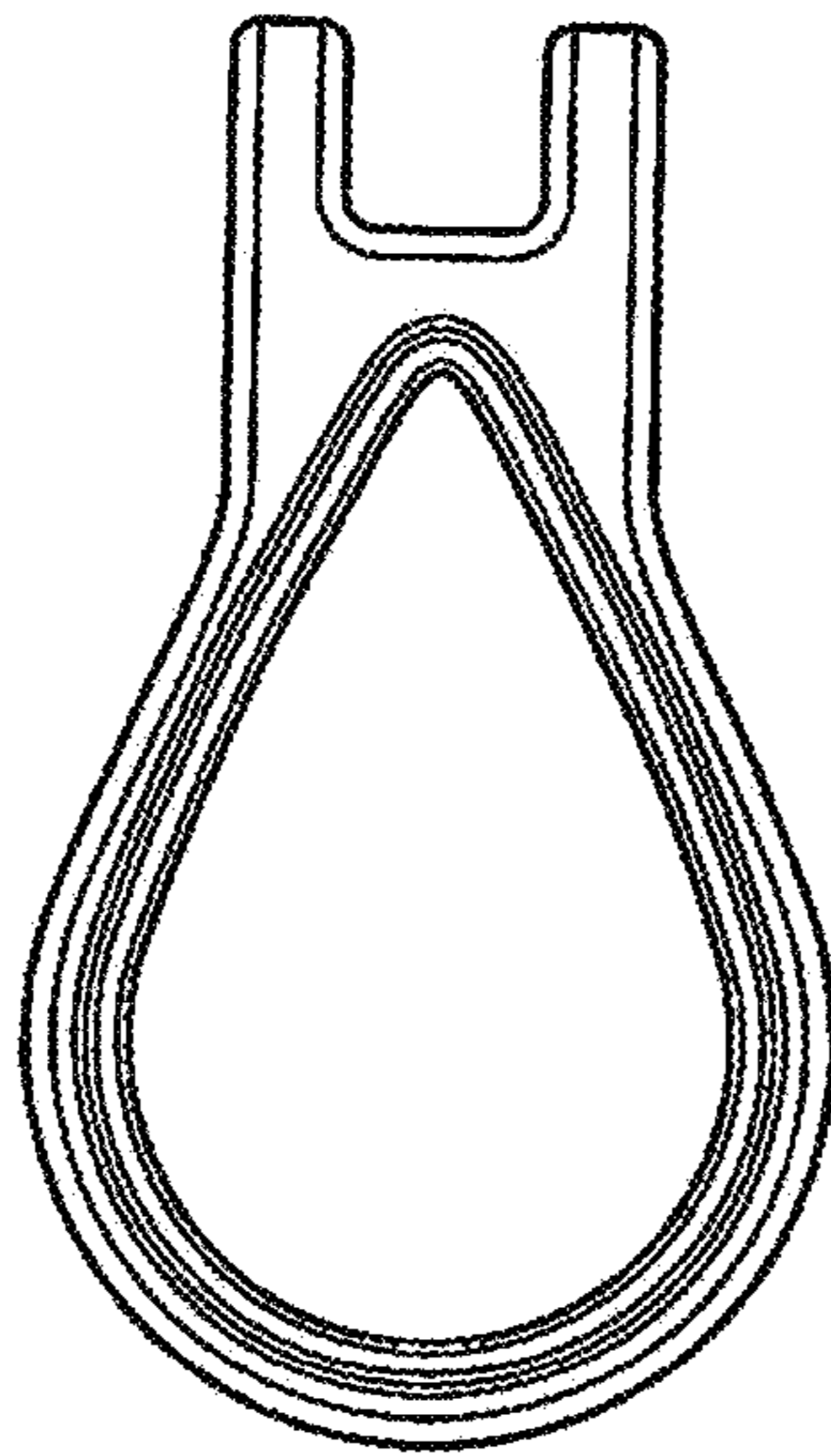


FIG. 3

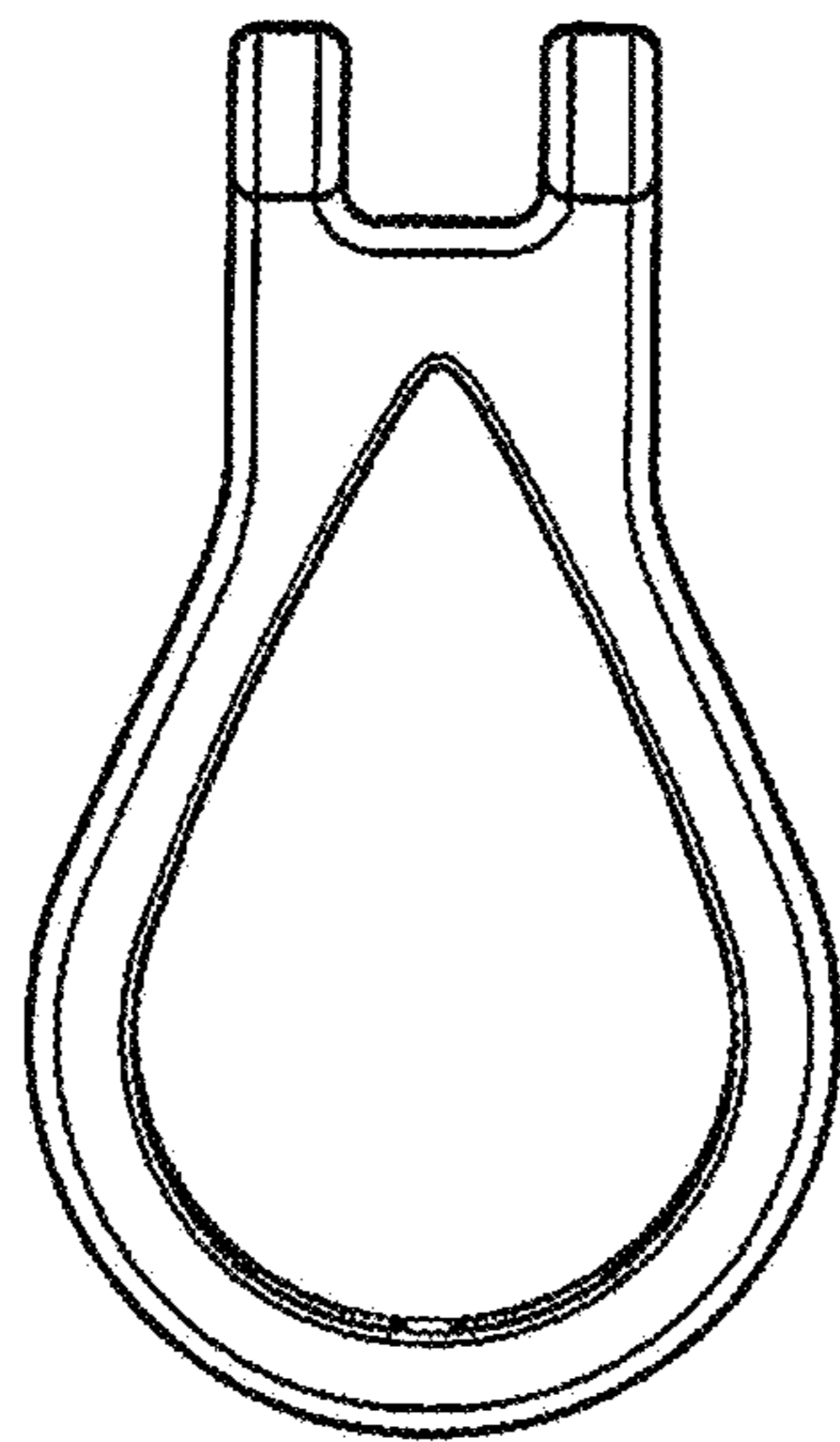


FIG. 4

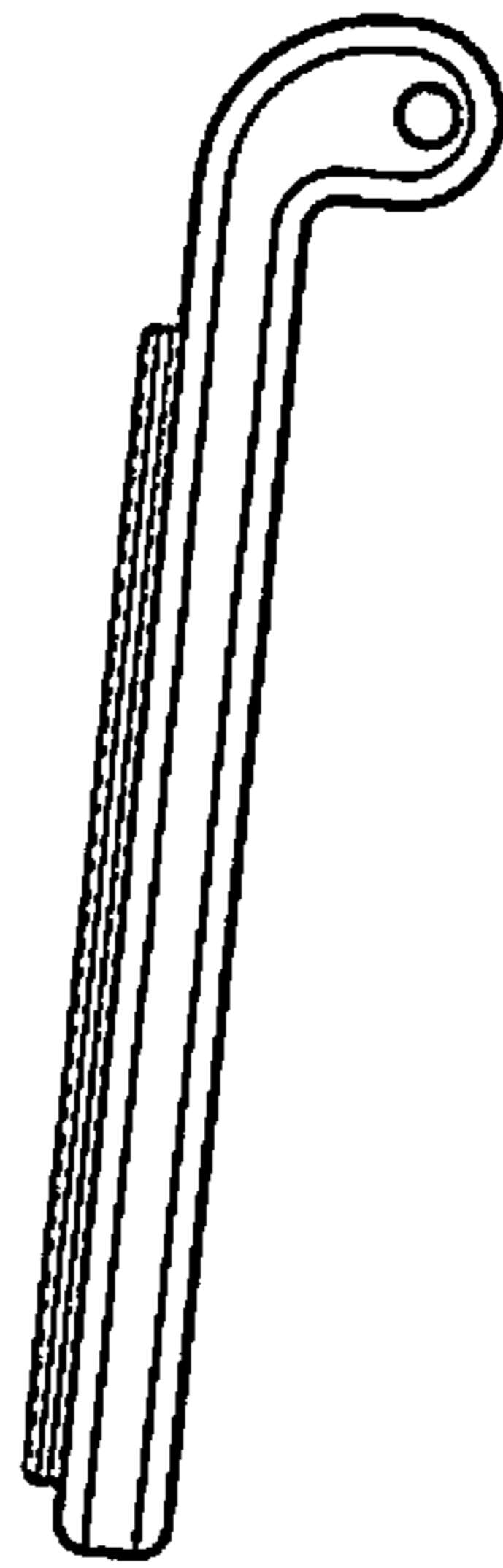


FIG. 5

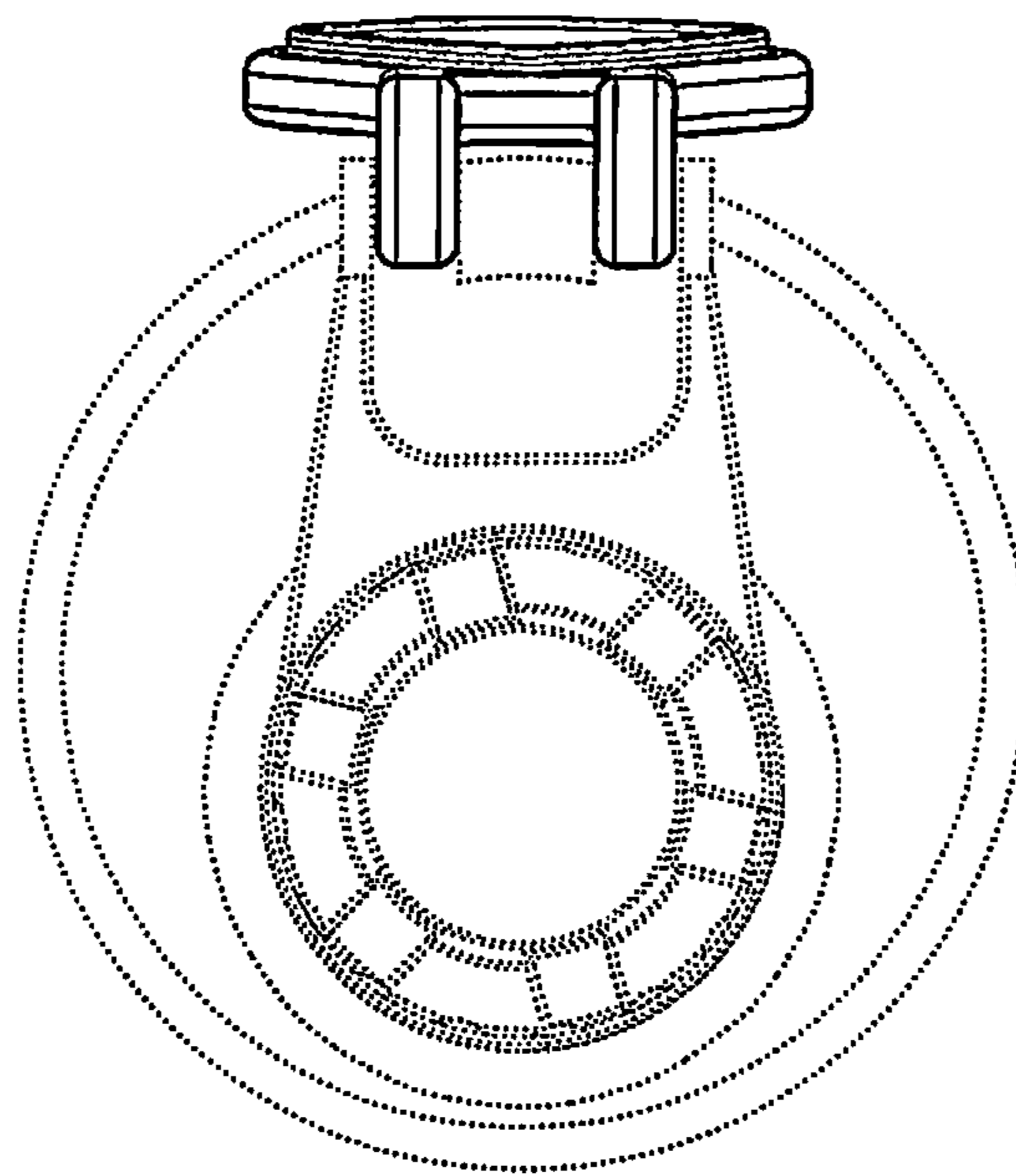


FIG. 6

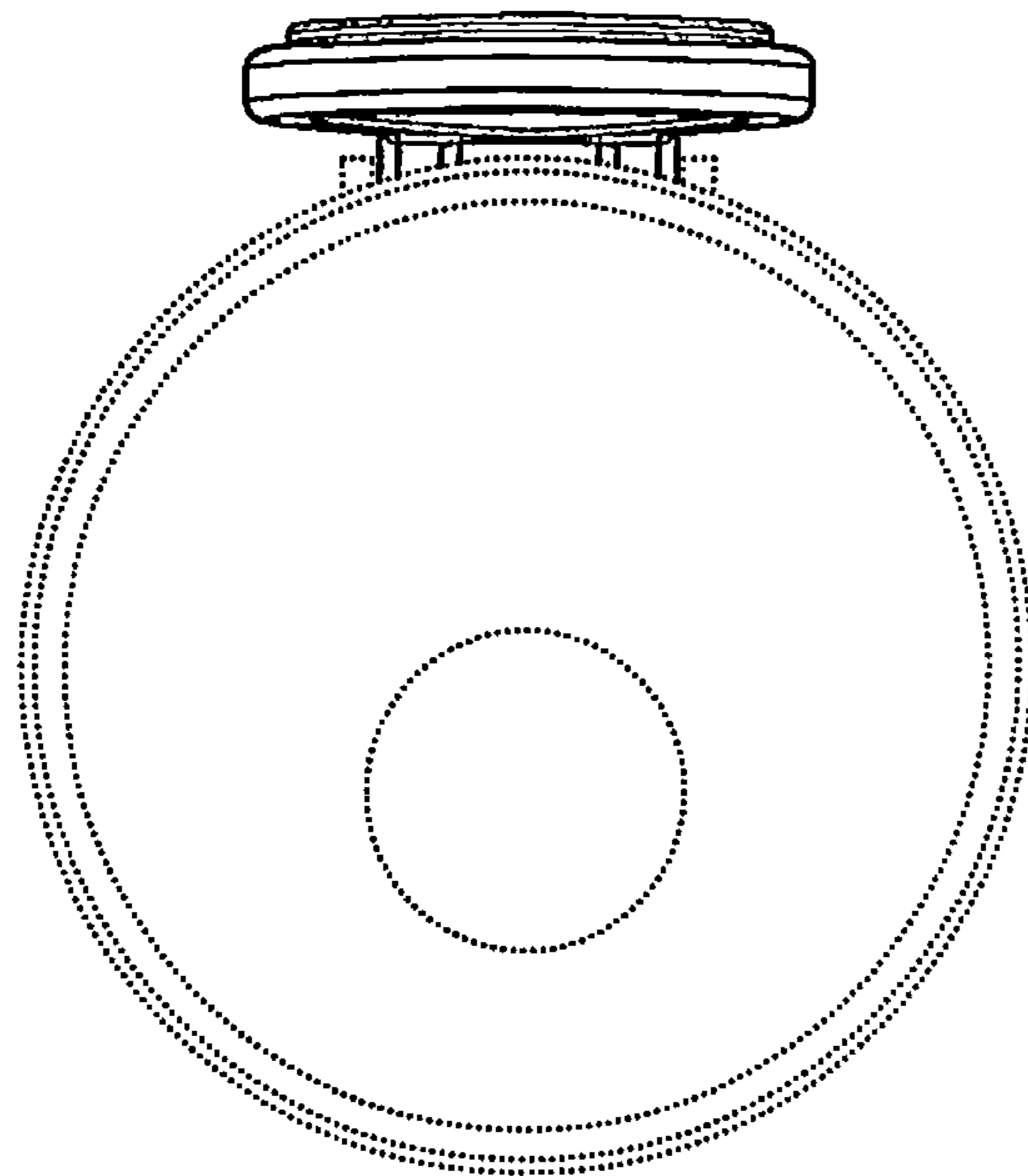


FIG. 7

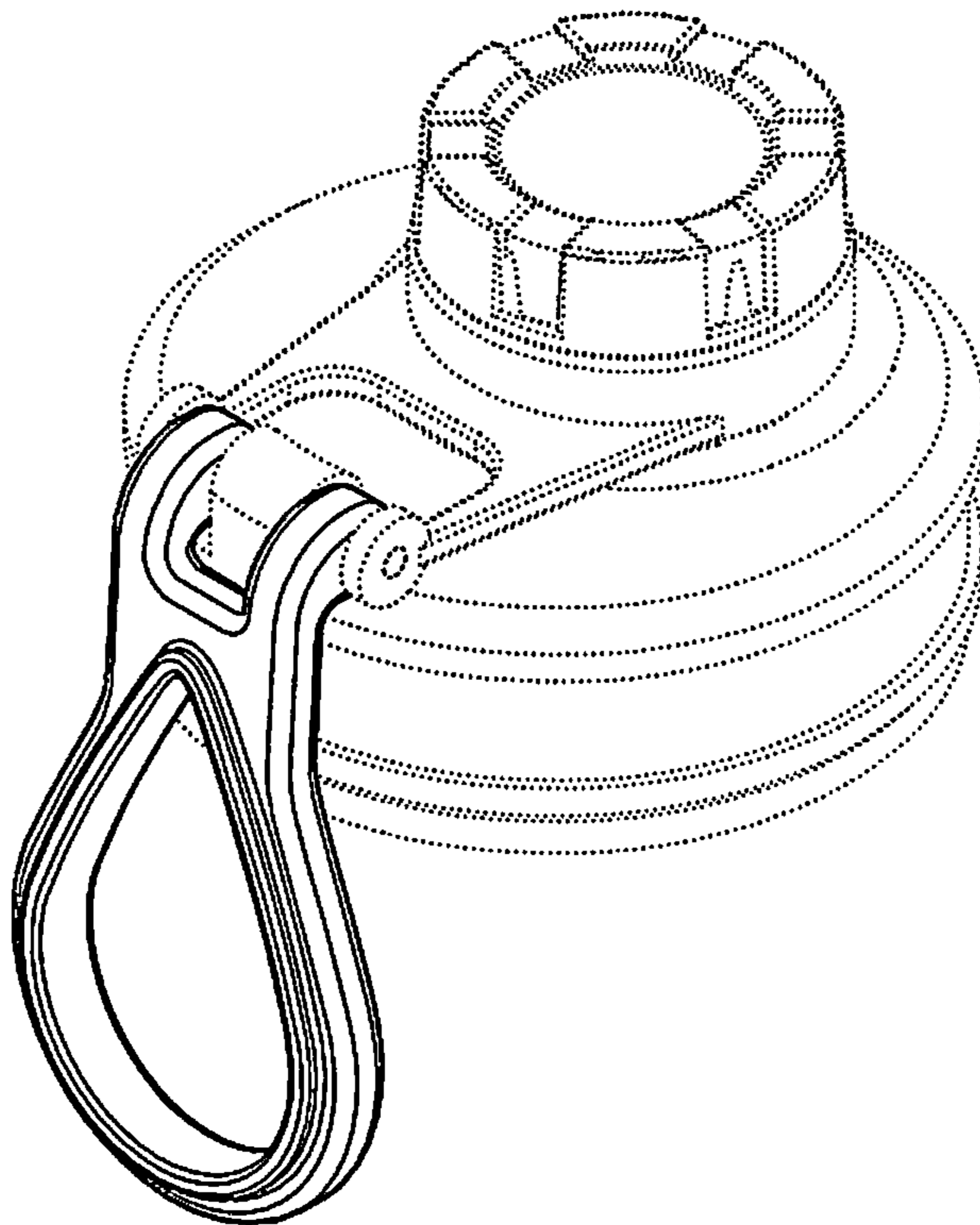


FIG. 8

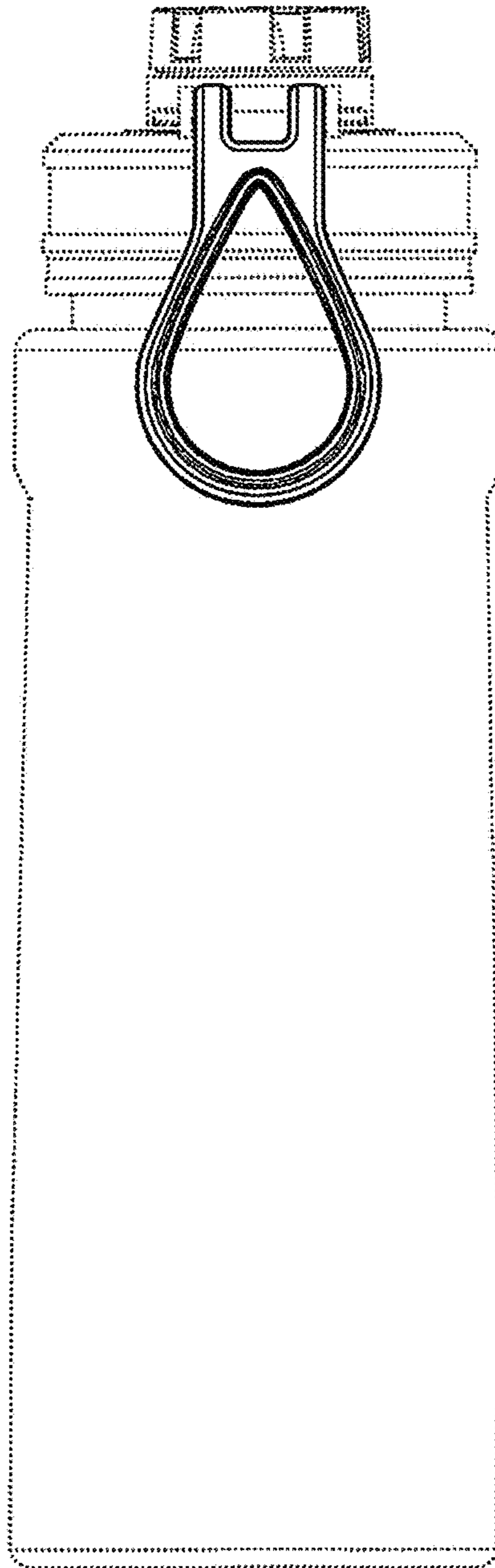


FIG. 9