



US00D965386S

(12) **United States Design Patent** (10) **Patent No.:** **US D965,386 S**
Huckestein (45) **Date of Patent:** **** Oct. 4, 2022**

(54) **COOKWARE**

FOREIGN PATENT DOCUMENTS

(71) Applicant: **William Huckestein**, Ventura, CA (US)

EM 008781413-0001 * 11/2021

(72) Inventor: **William Huckestein**, Ventura, CA (US)

OTHER PUBLICATIONS

(**) Term: **15 Years**

Tramontina Covered Deep Sauté Pan Hard Anodized 5.5 Qt. Online, published date Jul. 14, 2021. Retrieved on Jul. 18, 2022 from URL: https://www.amazon.com/Tramontina-Covered-Deep-Saut%C3%A9-A9-Anodized/dp/B099FLHVX9/ref=sr_1_1?crid=2VPYYAMGHCXL7&keywords=Tramontina%25%E2%80%A6&th=1.*

(21) Appl. No.: **29/773,259**

(22) Filed: **Mar. 8, 2021**

(51) **LOC (13) Cl.** **07-03**

(52) **U.S. Cl.**
USPC **D7/395**; D7/393

* cited by examiner

(58) **Field of Classification Search**
USPC D7/354-361, 393-395, 401.2, 402, 664
CPC A47J 45/06; A47J 45/08; A47J 45/061;
A47J 45/062; A47J 45/071; A47J 45/072;
A47J 45/085

Primary Examiner — Omeed Agilee
Assistant Examiner — Royner Mendoza
(74) *Attorney, Agent, or Firm* — QuickPatents, LLC;
Kevin Prince

See application file for complete search history.

(57) **CLAIM**

(56) **References Cited**

The ornamental design for cookware, as shown and described.

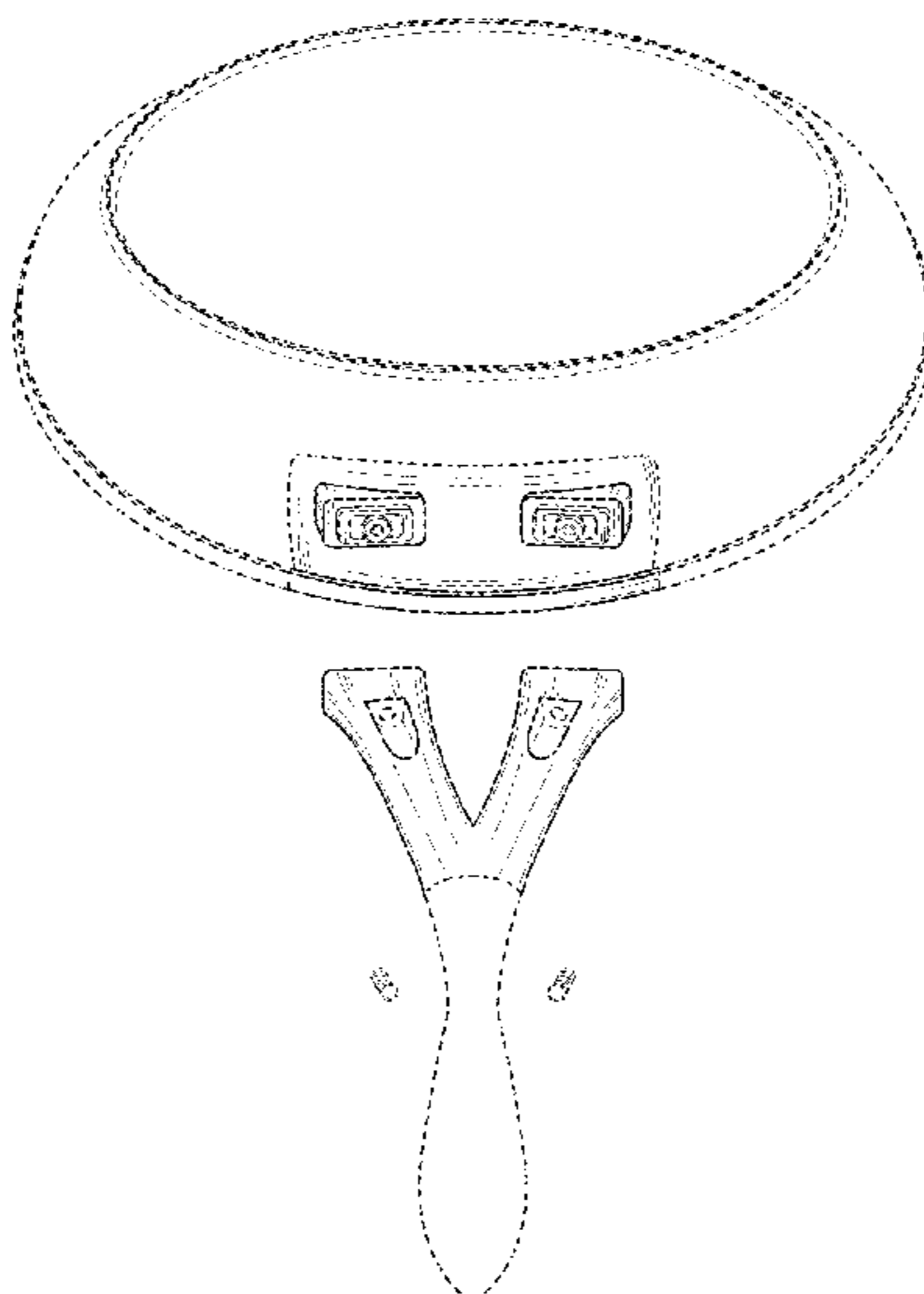
U.S. PATENT DOCUMENTS

DESCRIPTION

D426,107	S	*	6/2000	Cheng	D7/393
D444,347	S	*	7/2001	LoGiudice	D7/395
D555,971	S	*	11/2007	Rae	D7/395
D560,426	S	*	1/2008	Prakasa	D7/395
D575,982	S	*	9/2008	Rae	D7/395
D589,744	S	*	4/2009	Rae	D7/395
D610,401	S	*	2/2010	Pantaleo	D7/395
D612,199	S	*	3/2010	Tetreault	D7/395
D617,142	S	*	6/2010	Pantaleo	D7/393
D645,698	S	*	9/2011	Rae	D7/395
D653,078	S	*	1/2012	Cheng	D7/395
D667,691	S	*	9/2012	Rae	D7/395
D678,716	S	*	3/2013	Rae	D7/395
D712,197	S	*	9/2014	Stratmeyer	D7/393
D757,487	S	*	5/2016	McConnell	D7/395
D795,010	S	*	8/2017	Barberi	D7/393
D798,655	S	*	10/2017	Barberi	D7/393
D885,820	S	*	6/2020	Girdaukas	D7/354
D938,225	S	*	12/2021	Rajasekaran	D7/395
D941,087	S	*	1/2022	Barberi	D7/395
2018/0338644	A1	*	11/2018	Gossens	A47J 45/068

FIG. 1 is a bottom perspective view of a cookware, showing my new design;
FIG. 2 is an exploded bottom perspective view thereof;
FIG. 3 is a right-side elevational view of FIG. 2, the left-side elevational view being a mirror image thereof;
FIG. 4 is a top plan view of FIG. 2;
FIG. 5 is a bottom plan view of FIG. 2;
FIG. 6 is a rear elevational view of FIG. 2, illustrated with a pan omitted for clarity of illustration; and,
FIG. 7 is a front elevational view of FIG. 2, illustrated with a handle and two mechanical fasteners omitted for clarity of illustration.
The dashed lines depict portions of the cookware that form no part of the claimed design. The dot-dash lines depict the boundaries of the claimed design that form no part thereof.

1 Claim, 6 Drawing Sheets



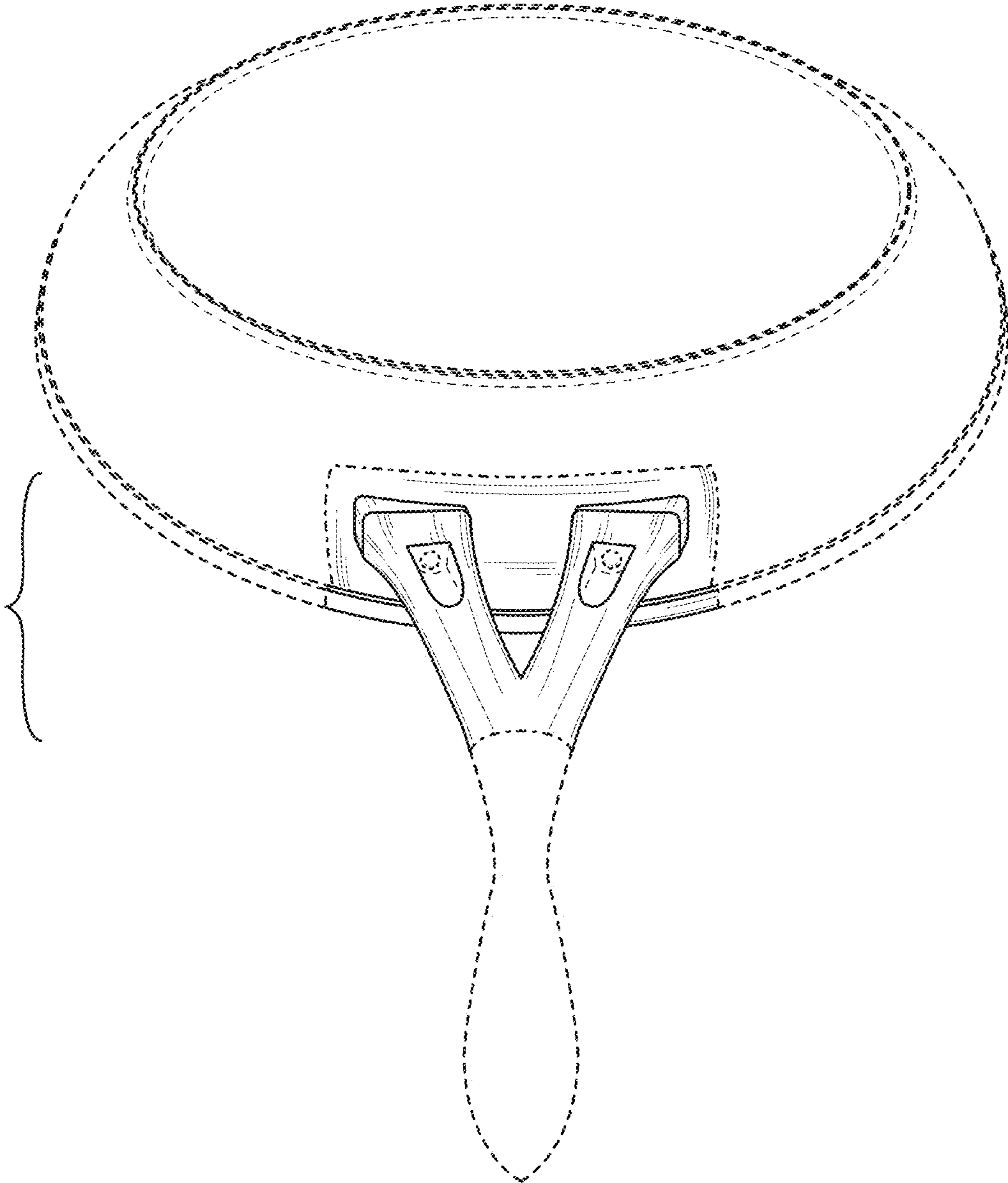


FIG. 1

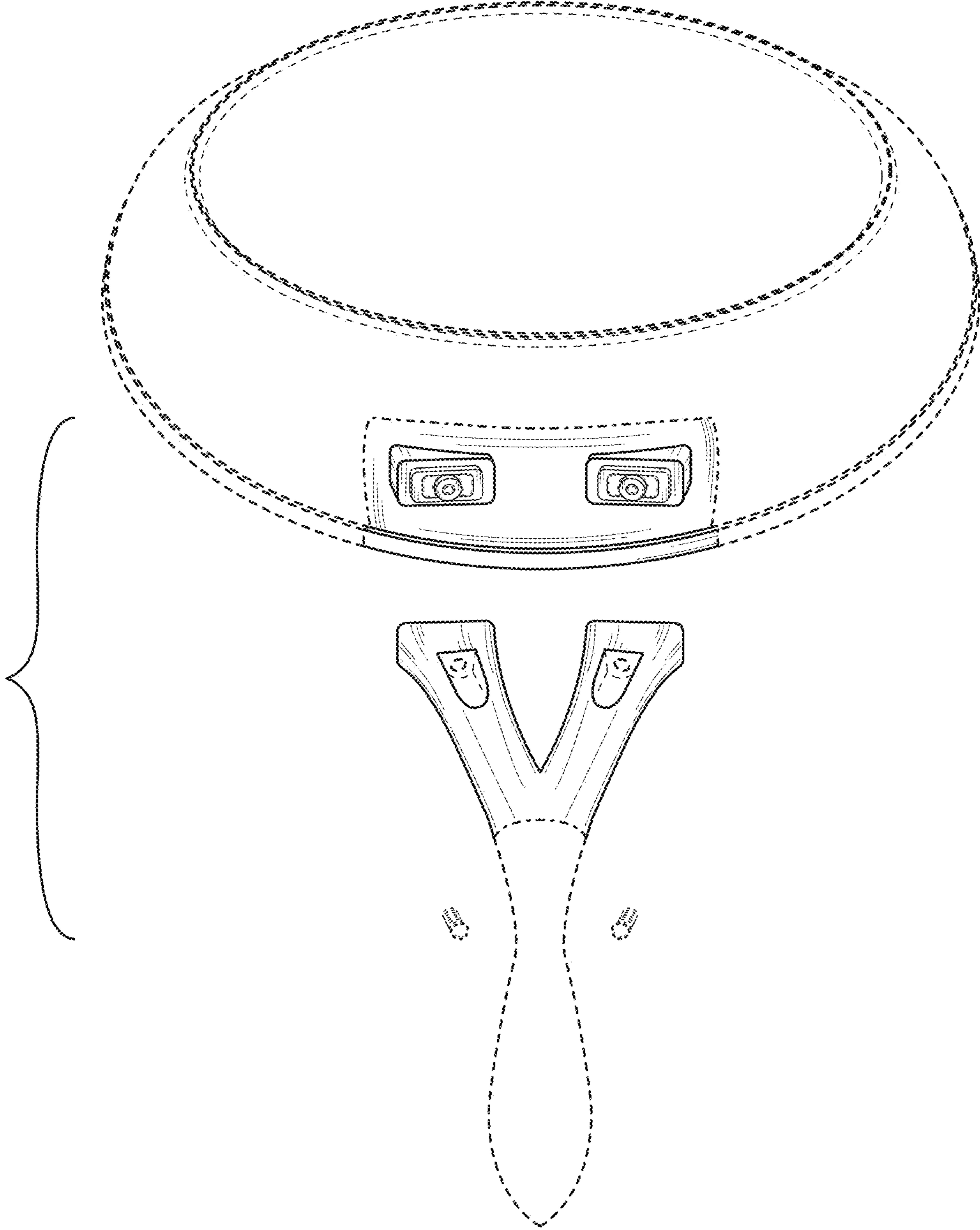


FIG. 2

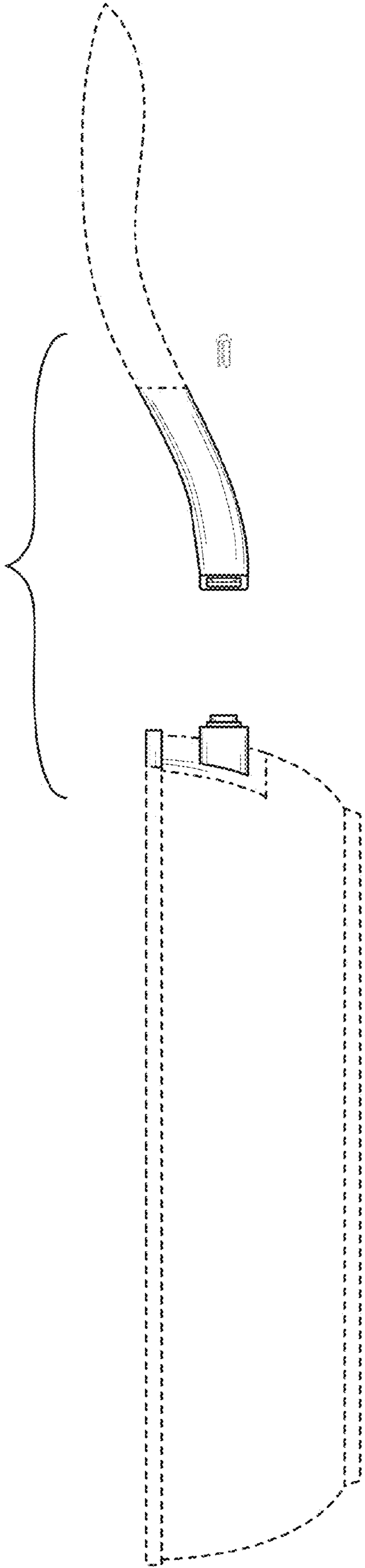


FIG. 3

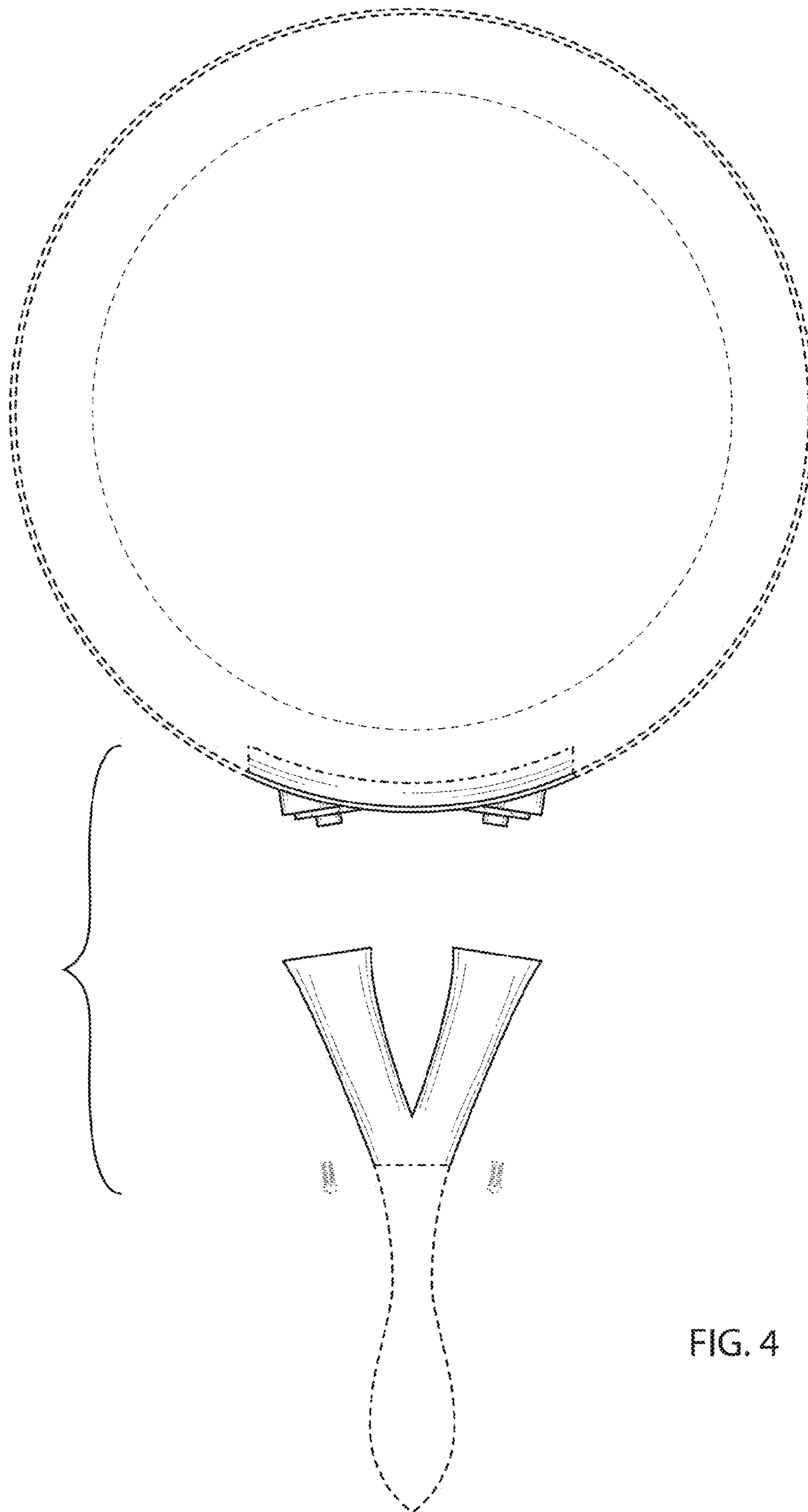


FIG. 4

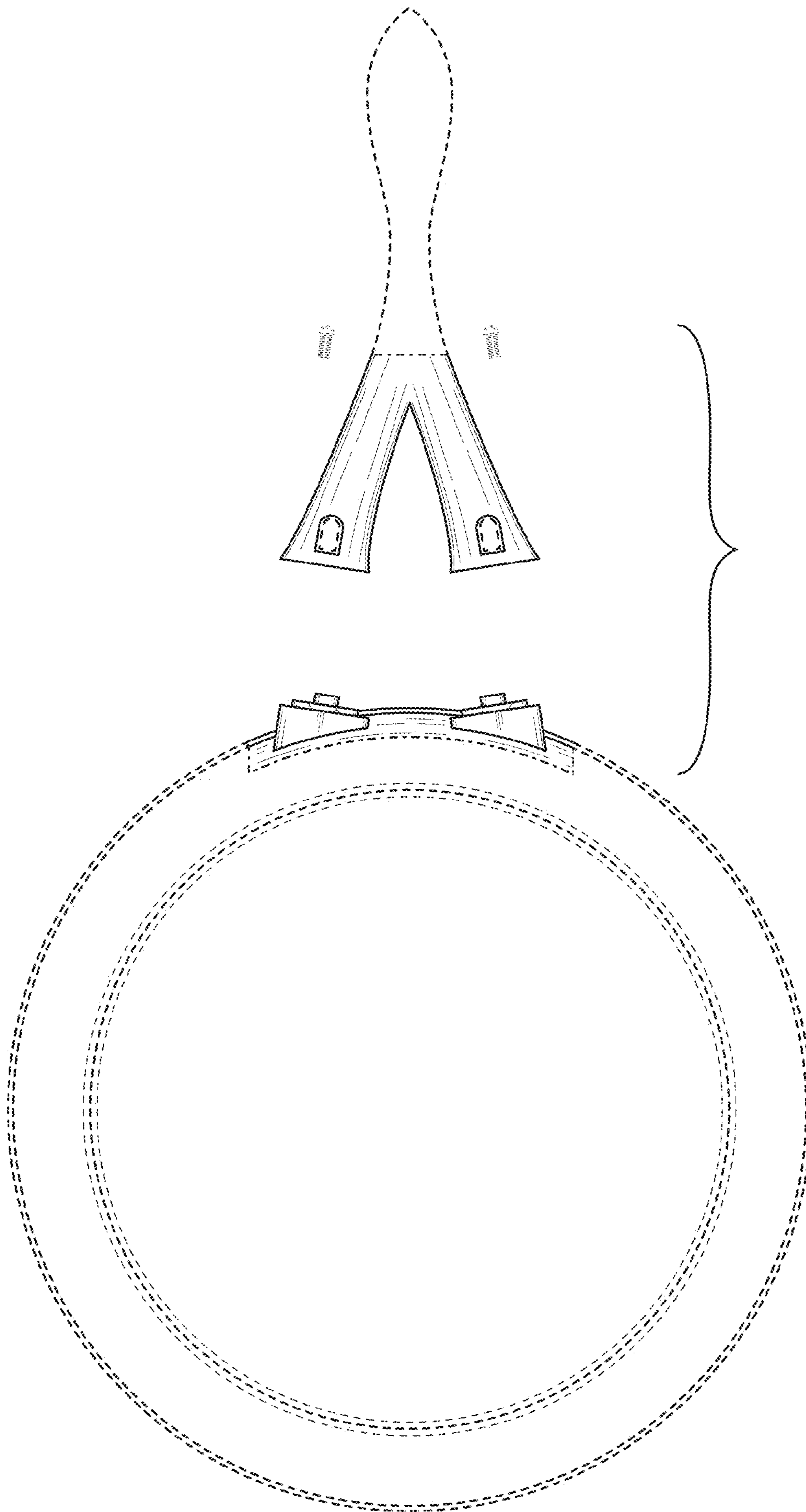


FIG. 5

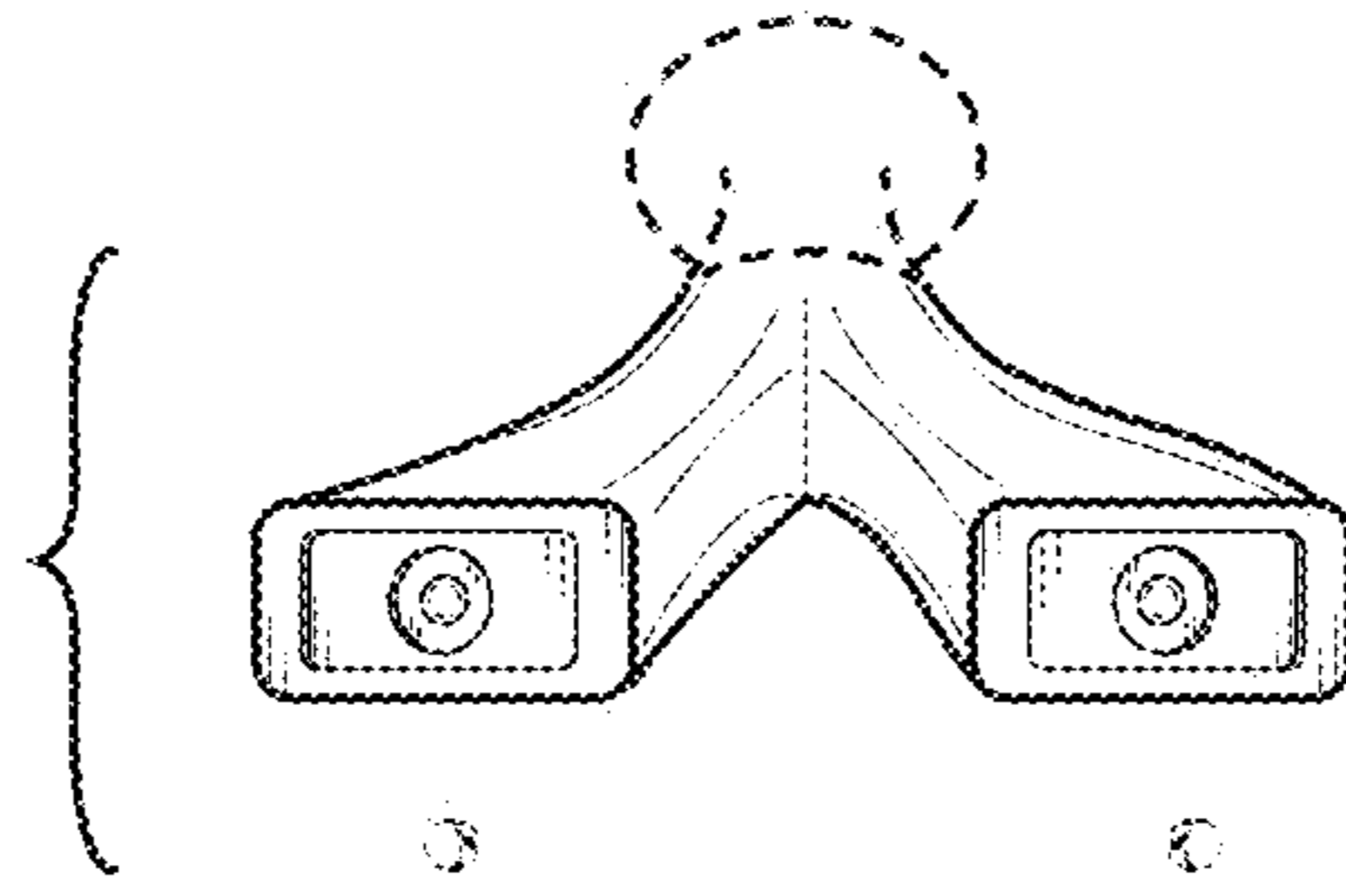


FIG. 6

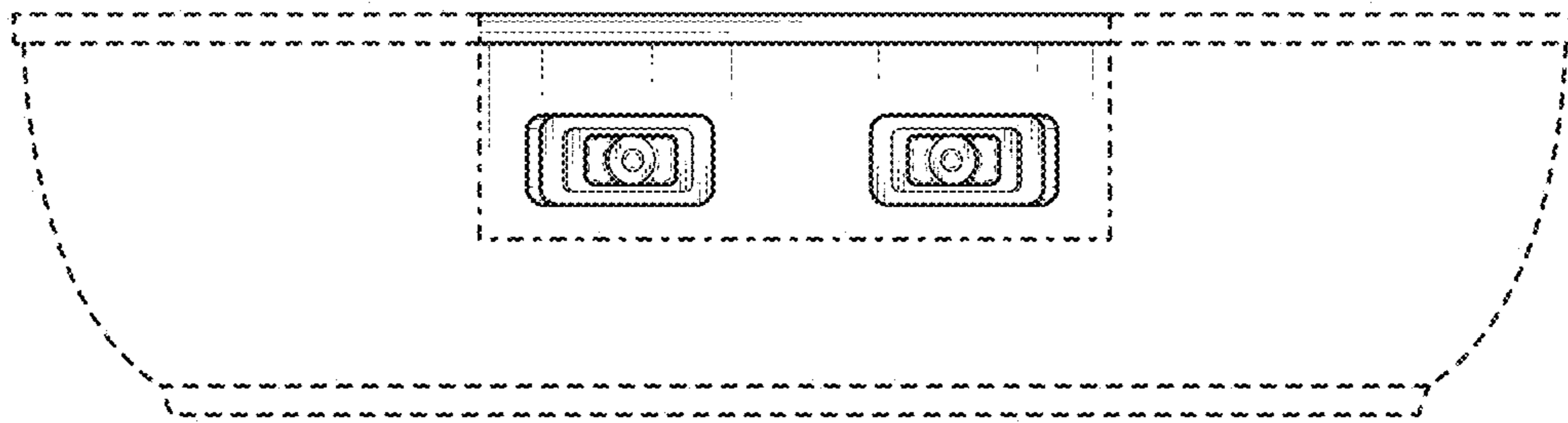


FIG. 7