



US00D965385S

(12) **United States Design Patent**
Carver et al.

(10) **Patent No.:** **US D965,385 S**

(45) **Date of Patent:** **** Oct. 4, 2022**

(54) **BOTTLE CLOSURE**

(71) Applicant: **Reckitt & Colman (Overseas)**
Hygiene Home Limited, Slough (GB)

(72) Inventors: **Kristopher Carver, Slough (GB);**
Samuel James Roper, Slough (GB);
Christopher Brian Witty, Slough
(GB); Simon Woolley, Slough (GB)

(73) Assignee: **RECKITT & COLMAN**
(OVERSEAS) HYGIENE HOME
LIMITED, Slough (GB)

(**) Term: **15 Years**

(21) Appl. No.: **29/775,571**

(22) Filed: **Mar. 24, 2021**

(30) **Foreign Application Priority Data**

Oct. 9, 2020 (EP) 008199848-0002

(51) **LOC (13) Cl.** **07-01**

(52) **U.S. Cl.**
USPC **D7/392; D9/435**

(58) **Field of Classification Search**
USPC D7/507, 509, 510, 511, 533, 536, 392,
D7/392.1, 396.1, 396.2, 608, 900;
D30/132, 121, 122, 123, 124, 125, 126,
D30/127, 128, 129, 130, 131, 133;
D9/443, 449, 561, 500, 503, 504, 615;
D3/202; D29/125, 126
CPC A47G 19/2205; A47G 23/16; A47G
19/2272; A47J 41/00; A47J 41/02; A47J
41/0077; Y10S 220/903; B65D 21/02;
B65D 43/00; B65D 41/00
See application file for complete search history.

(56) **References Cited**

U.S. PATENT DOCUMENTS

D142,410 S * 9/1945 Hammerstein D7/392
D164,006 S * 7/1951 Laird et al. D7/392

D201,388 S * 6/1965 Pick D8/397
3,830,390 A * 8/1974 Gach B65D 50/041
215/220
D256,674 S * 9/1980 Hoyt D9/443
(Continued)

FOREIGN PATENT DOCUMENTS

CN 306744447 * 8/2021
IN 341622-001-000 * 3/2022
(Continued)

OTHER PUBLICATIONS

Parazone [online] URL: <https://www.amazon.in/Parazone-Parozone-Original-Strongest-Bleach/dp/B00M36OXPM> (site visited: May 12, 2022) (Year: 2018).*

(Continued)

Primary Examiner — Jae Liang
Assistant Examiner — Tia Ruth-Renee Polidori
(74) *Attorney, Agent, or Firm* — Norris McLaughlin PA

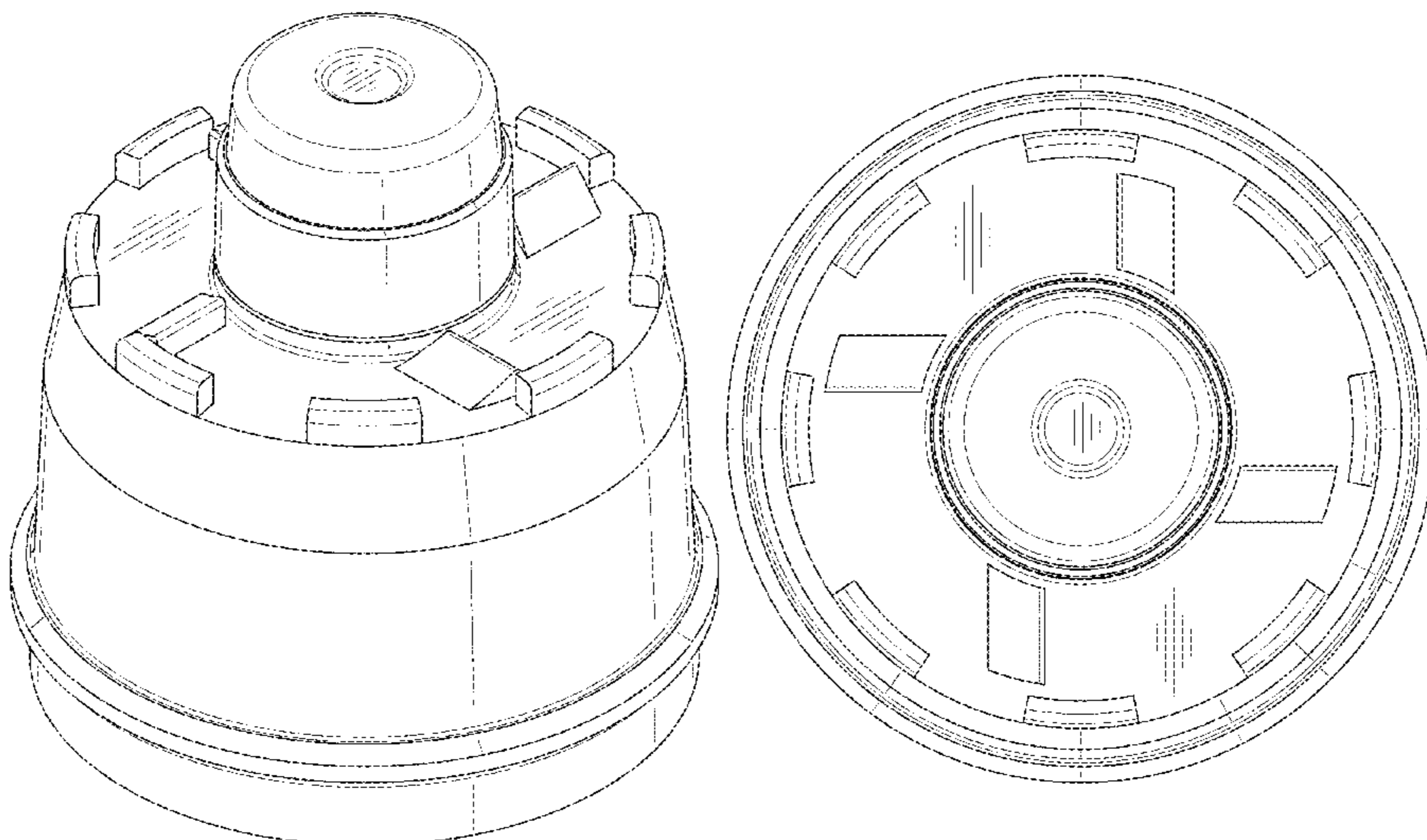
(57) **CLAIM**

The ornamental design for a bottle closure, as shown and described.

DESCRIPTION

FIG. 1 is a top perspective view of our new design for a bottle closure;
FIG. 2 is a first side elevational view thereof;
FIG. 3 is a second side elevational view thereof;
FIG. 4 is a third side elevational view thereof;
FIG. 5 is a fourth side elevational view thereof;
FIG. 6 is a top plan view thereof; and,
FIG. 7 is a bottom plan view thereof.
The portion of the drawings illustrated in broken lines form no part of the claimed design.

1 Claim, 7 Drawing Sheets



(56)

References Cited

U.S. PATENT DOCUMENTS

4,316,409 A * 2/1982 Adams B67D 1/0418
 261/DIG. 7
 D362,623 S * 9/1995 Ma D9/453
 D419,069 S * 1/2000 Beck D9/443
 D445,679 S * 7/2001 Malmberg D9/434
 D503,886 S * 4/2005 Biesecker D9/453
 D508,202 S * 8/2005 Dobson D9/449
 D598,755 S * 8/2009 Bull D9/454
 D600,546 S * 9/2009 Scilingo D8/399
 D642,467 S * 8/2011 Knutson D9/454
 D645,709 S * 9/2011 Endo D7/608
 D679,597 S * 4/2013 Tamarindo D9/453
 D702,543 S * 4/2014 Bell D8/397
 D739,239 S * 9/2015 Seifer D9/453
 D757,546 S * 5/2016 Seifer D9/453
 D790,922 S * 7/2017 Do D7/510
 D809,389 S * 2/2018 Royer D9/454
 D810,510 S * 2/2018 Serruya D7/510
 D814,854 S * 4/2018 Melanson D7/391
 D834,368 S * 11/2018 Oas D7/392.1
 D848,843 S * 5/2019 Uetsuki D9/452
 10,370,161 B2 * 8/2019 Yeager B65D 41/0492
 D864,658 S * 10/2019 McCready D7/392.1

D869,550 S * 12/2019 Yoshii D18/56
 D883,476 S * 5/2020 Lofthouse D24/127
 10,676,256 B2 * 6/2020 Faragher B65D 50/041
 D906,108 S * 12/2020 Kwon D9/452
 D906,806 S * 1/2021 Joshi D9/453
 D917,957 S * 5/2021 Yao D9/516
 D920,788 S * 6/2021 Jeans D9/452
 2017/0066640 A1 * 3/2017 Rumigny B65D 47/2056

FOREIGN PATENT DOCUMENTS

JP D1438933 * 4/2012
 JP D1454716 * 11/2012
 RU 00127733 * 10/2021

OTHER PUBLICATIONS

Smarter Starter Fluid [online] URL: <https://www.amazon.com/-/es/Smarter-Starter-Fluido-6-Pack/dp/B075FF8ZWQ> (site visited: May 12, 2022) (Year: 2018).*
 Organica [online] URL: <https://www.amazon.in/Organica-Biotech-ThinkSafe-friendly-Bloom-500ml/dp/B07MQ9C1G1> (site visited: May 12, 2022) (Year: 2019).*

* cited by examiner

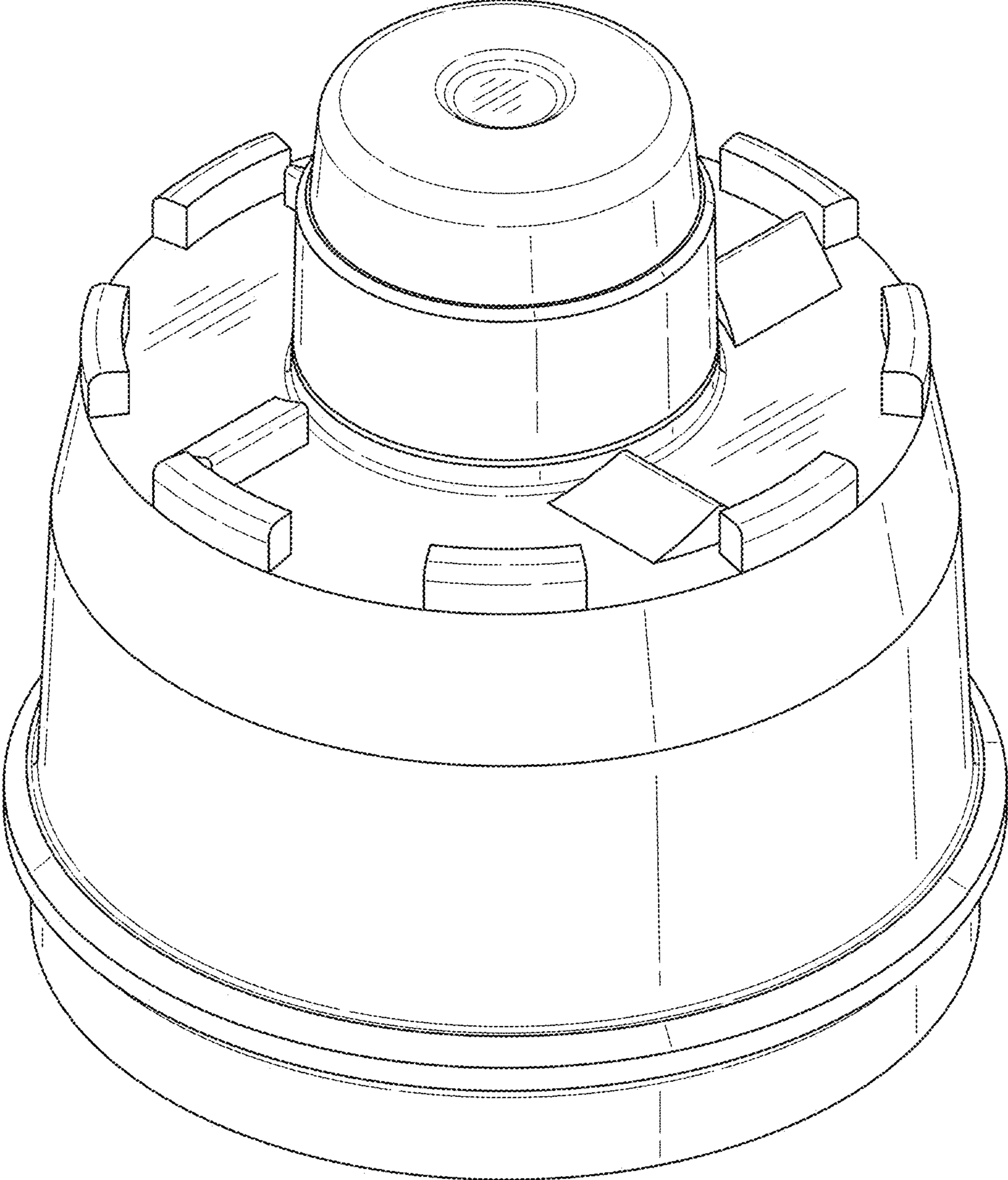


Fig. 1

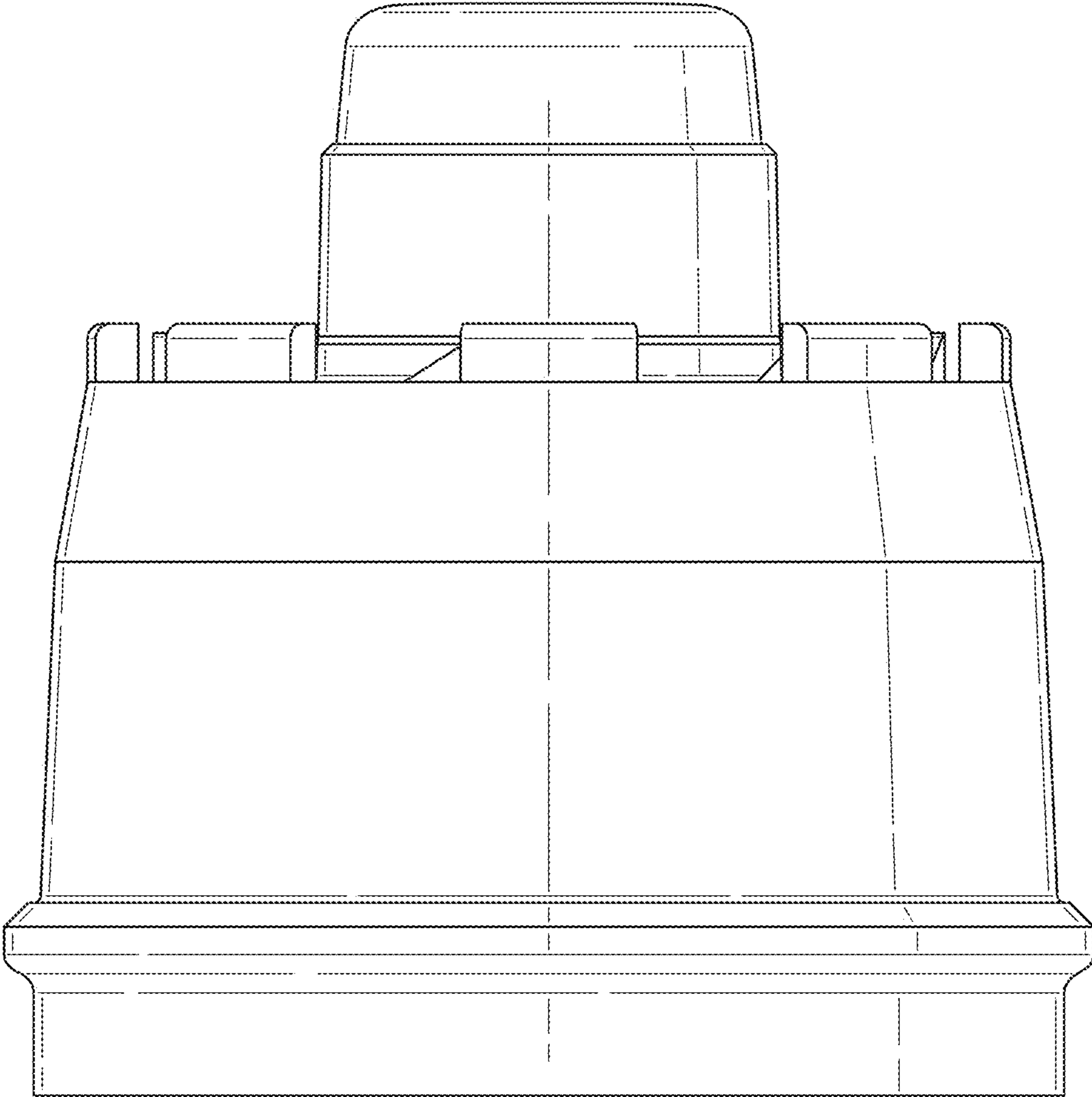


Fig. 2

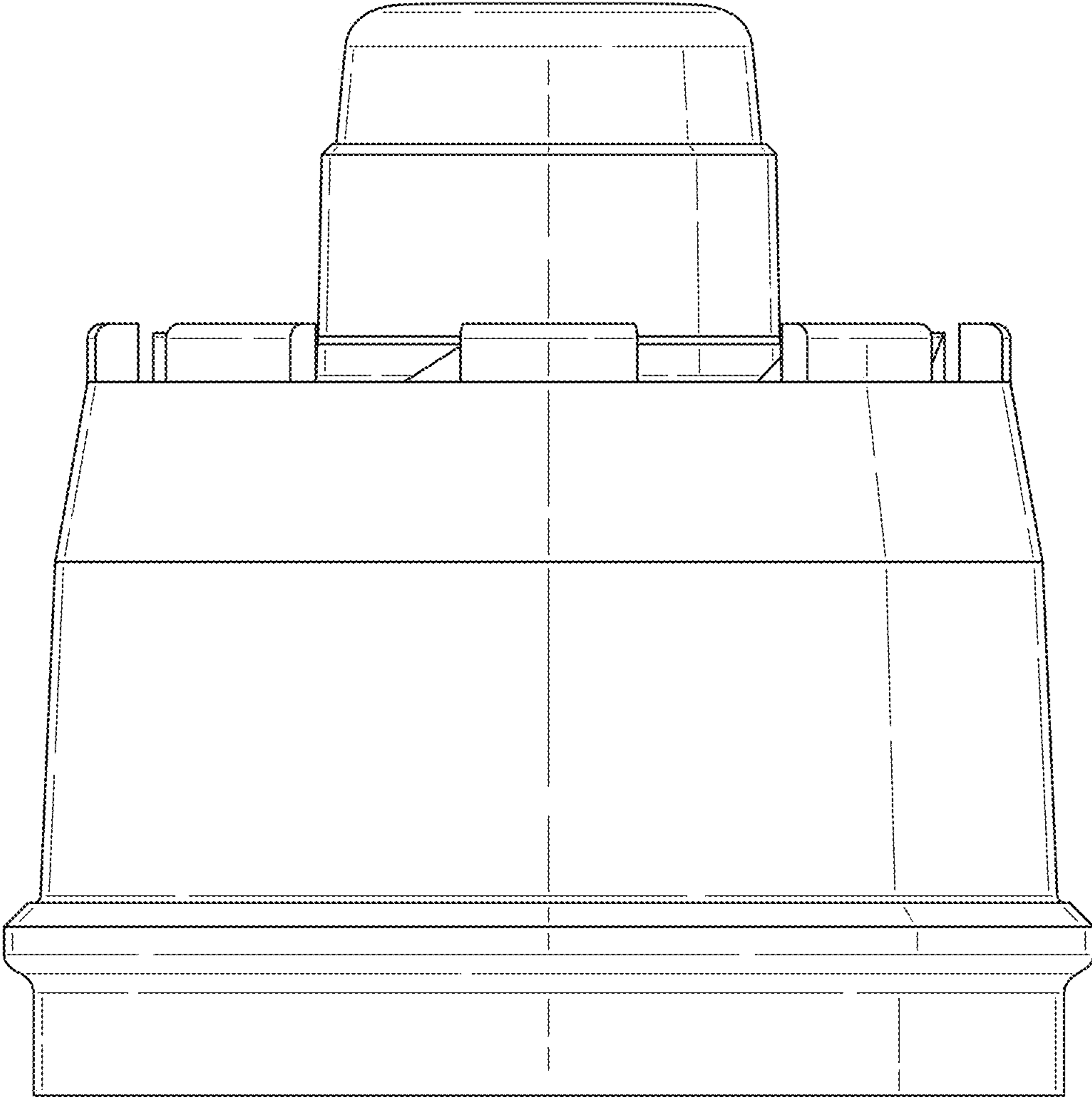


Fig. 3

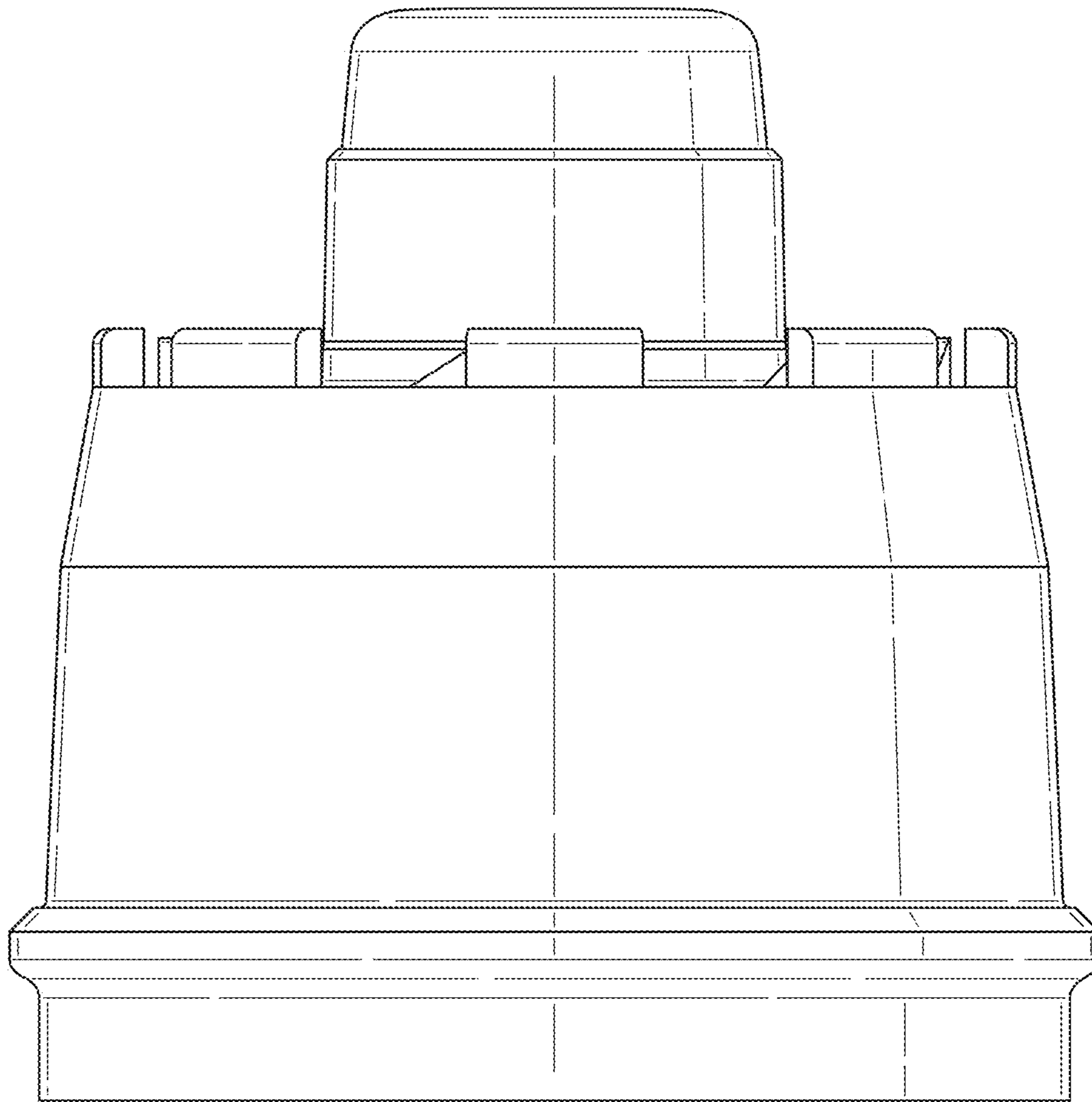


Fig. 4

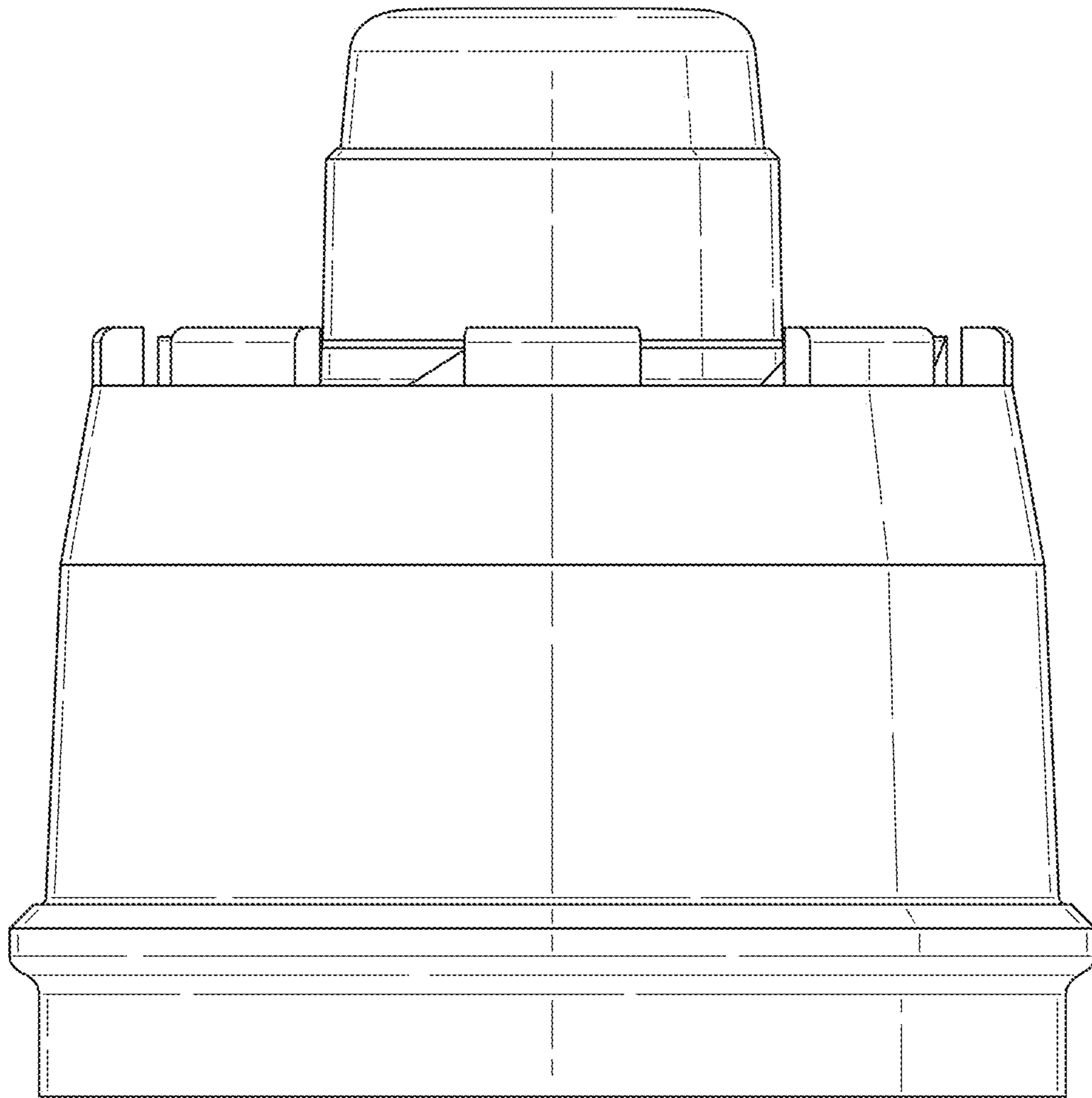


Fig. 5

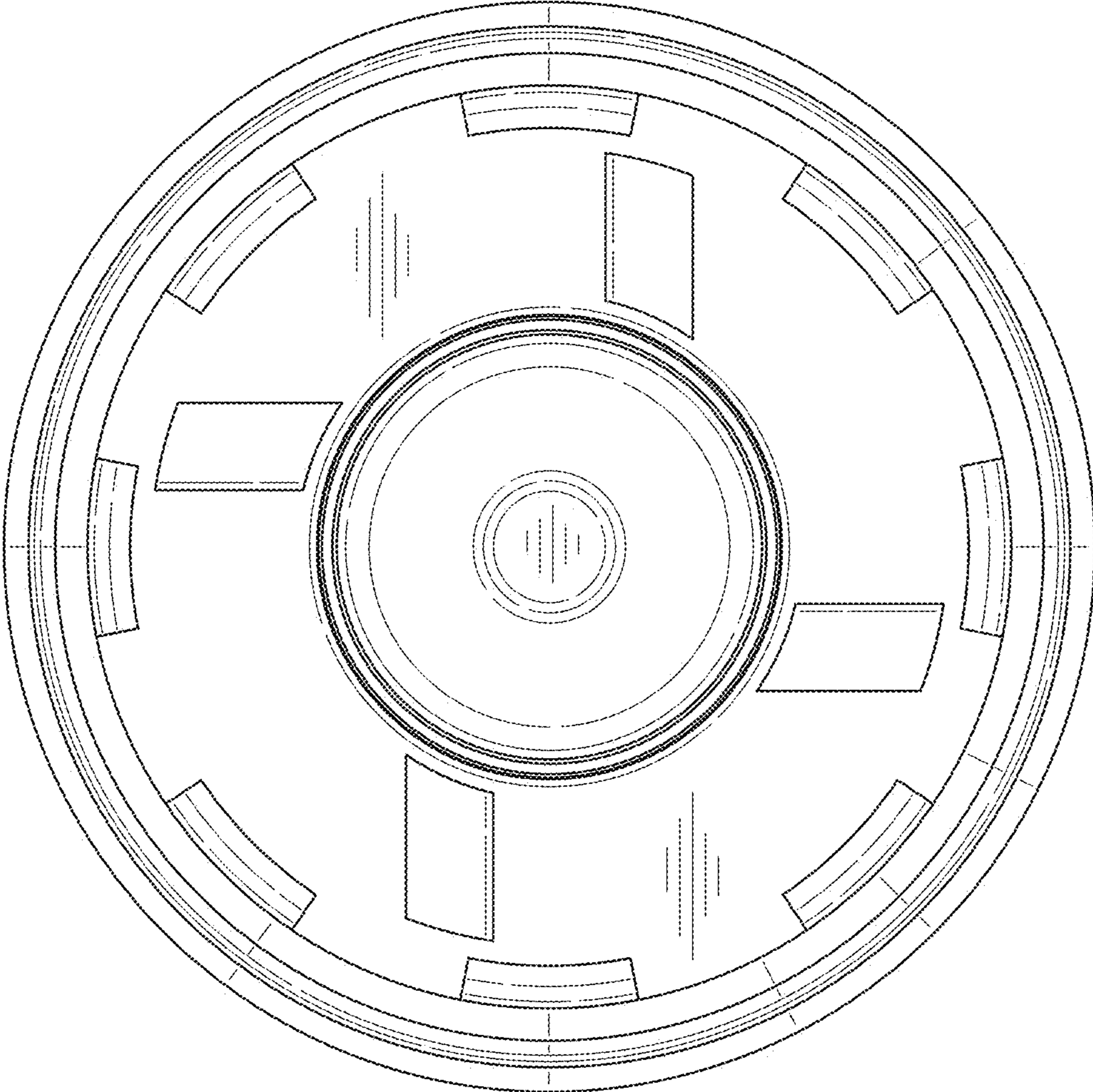


Fig. 6

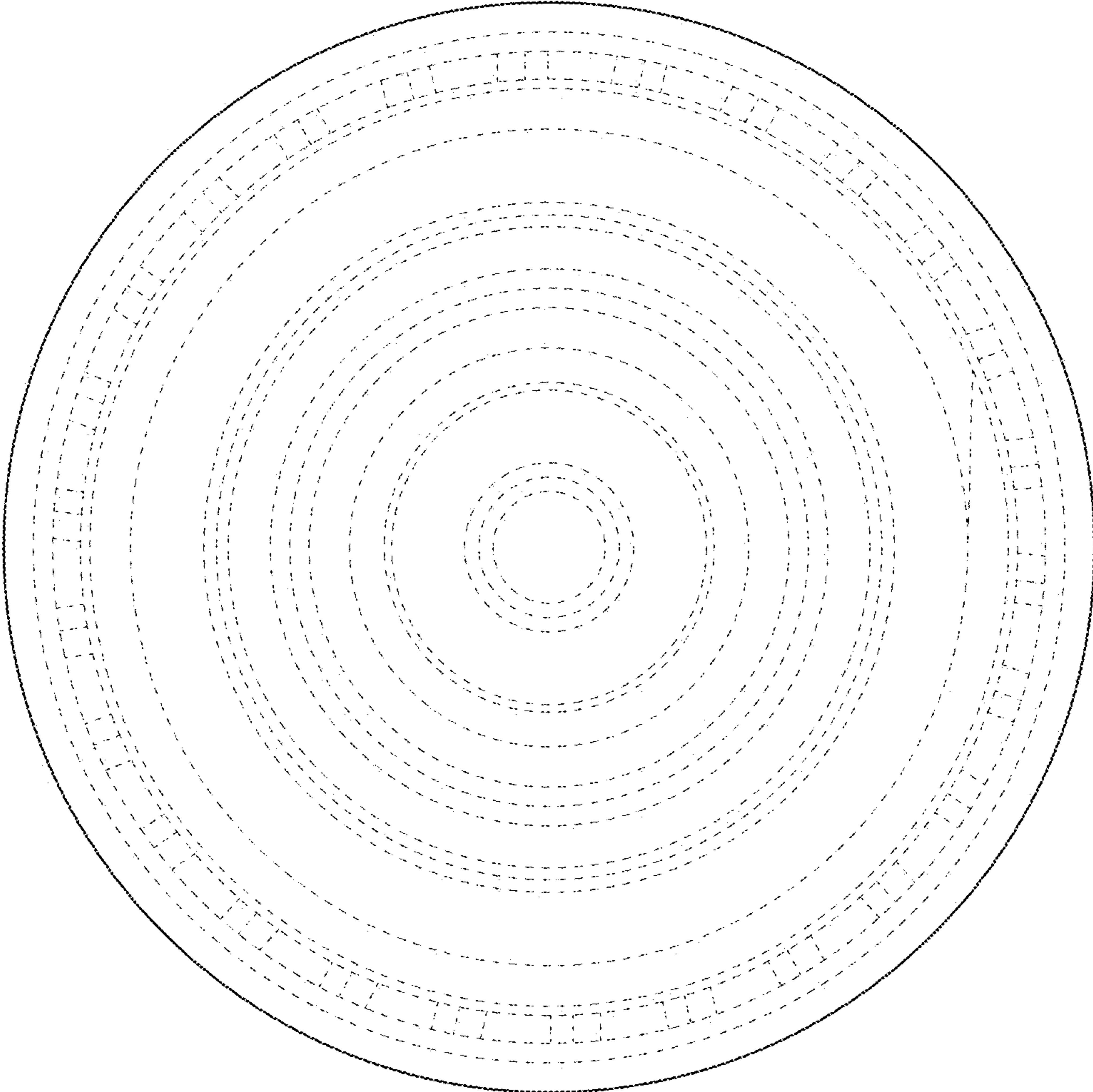


Fig. 7