



US00D965384S

(12) **United States Design Patent**
Dong

(10) **Patent No.:** **US D965,384 S**

(45) **Date of Patent:** **** Oct. 4, 2022**

(54) **BAKING MOLD**

(71) Applicant: **Lin Dong**, Shenzhen (CN)

(72) Inventor: **Lin Dong**, Shenzhen (CN)

(**) Term: **15 Years**

(21) Appl. No.: **29/775,949**

(22) Filed: **Mar. 26, 2021**

(51) **LOC (13) Cl.** **07-02**

(52) **U.S. Cl.**

USPC **D7/360**; D7/354

(58) **Field of Classification Search**

USPC D7/323, 354-361, 543, 545, 549, 550.1,
D7/552.1, 553.1-553.8, 554.1-554.4, 555,
D7/584, 586, 602; D9/430-433,
D9/455-456, 737, 756-762

CPC A21B 3/00; A21B 3/13; A21B 3/15; A21B
3/134; A21B 5/00; A21B 5/02; A47J
36/022; A47J 36/025; A47J 36/027; A47J
37/00; A47J 37/04; B65D 1/22; B65D
1/24; B65D 1/34; B65D 1/36; B65D
81/343; B65D 85/36

See application file for complete search history.

(56) **References Cited**

U.S. PATENT DOCUMENTS

D287,559 S * 1/1987 Daenen D7/586
D305,086 S * 12/1989 Stewart D7/602

D417,367 S * 12/1999 Laib D7/602
D475,246 S * 6/2003 Jørgensen D7/545
D551,492 S * 9/2007 Schuler D7/354
D599,623 S * 9/2009 de Groote D7/545
D744,776 S * 12/2015 Seyers D7/354
D762,083 S * 7/2016 Librus D7/354
D864,667 S * 10/2019 Shirley D7/545

OTHER PUBLICATIONS

Caliente Nonstick Square Cake Pan. Date First Available on Amazon.com Dec. 23, 2020. <https://www.amazon.com/dp/B089SBSX9W/ref> (Year: 2020).*

* cited by examiner

Primary Examiner — Ricky Pham

(74) *Attorney, Agent, or Firm* — WPAT, PC

(57) **CLAIM**

The ornamental design for a baking mold, as shown and described.

DESCRIPTION

FIG. 1 is a perspective view of a baking mold showing the new design;

FIG. 2 is a front view thereof;

FIG. 3 is a rear view thereof;

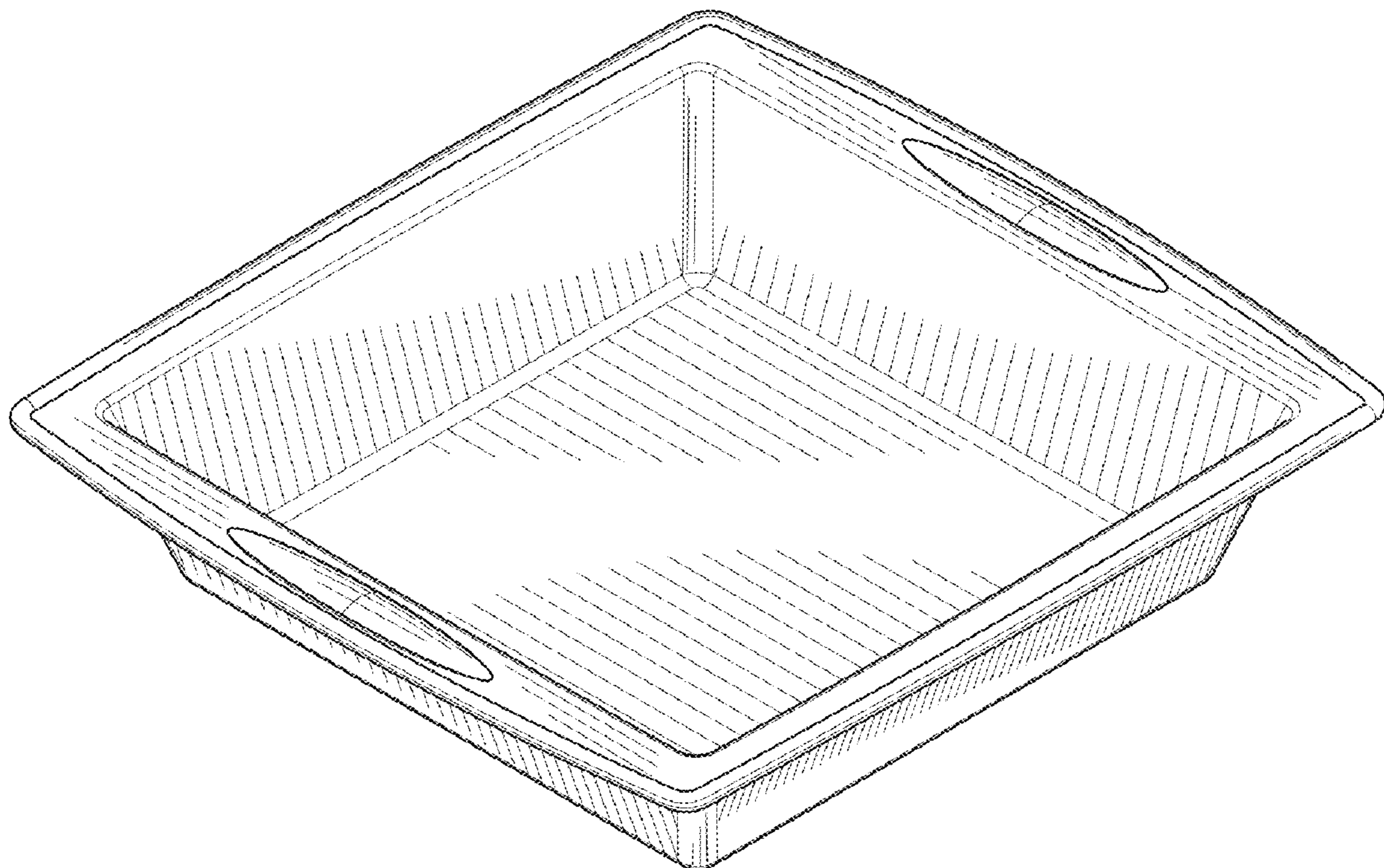
FIG. 4 is a left-side view thereof;

FIG. 5 is a right-side view thereof;

FIG. 6 is a top view thereof; and,

FIG. 7 is a bottom view thereof.

1 Claim, 5 Drawing Sheets



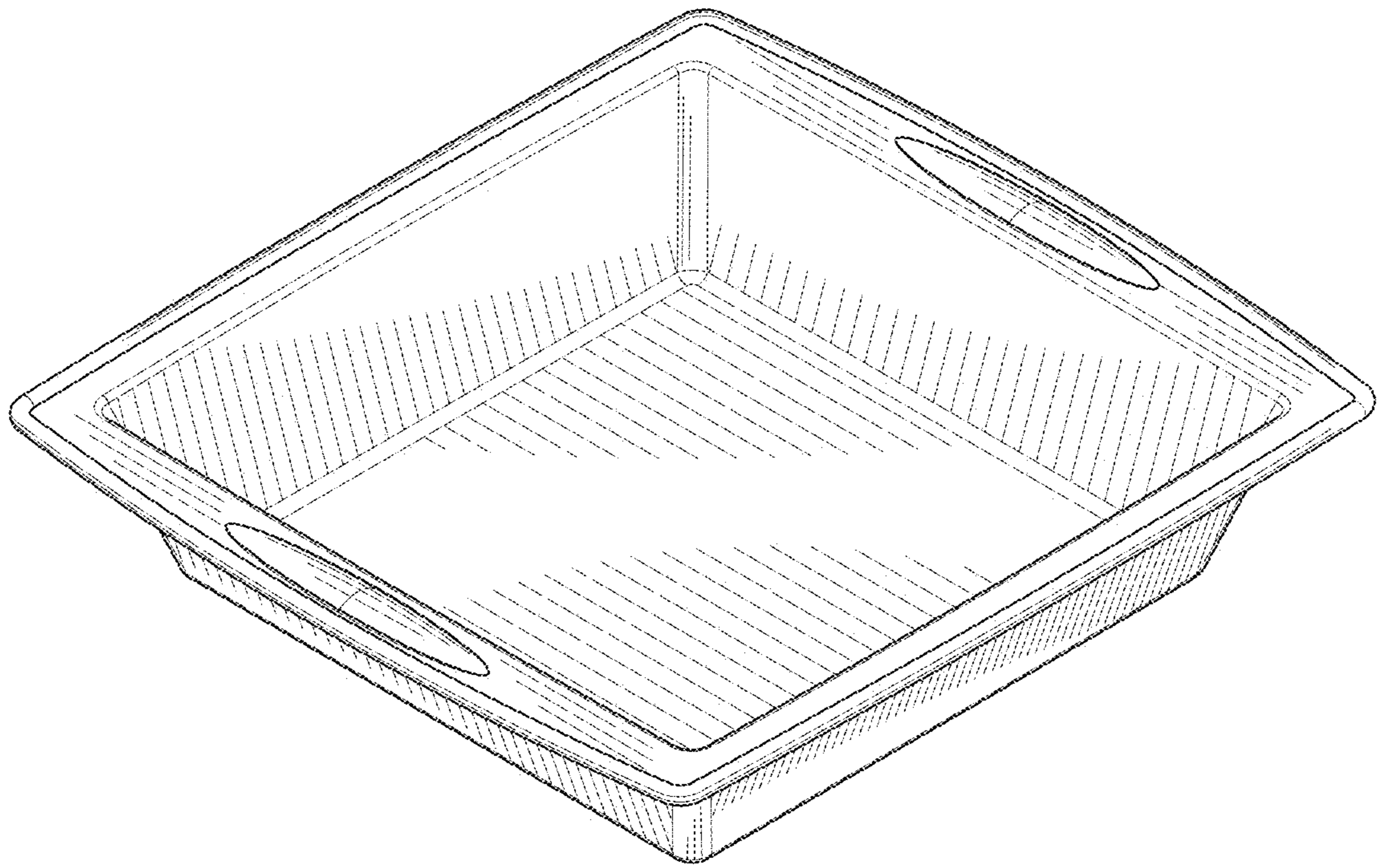


FIG. 1

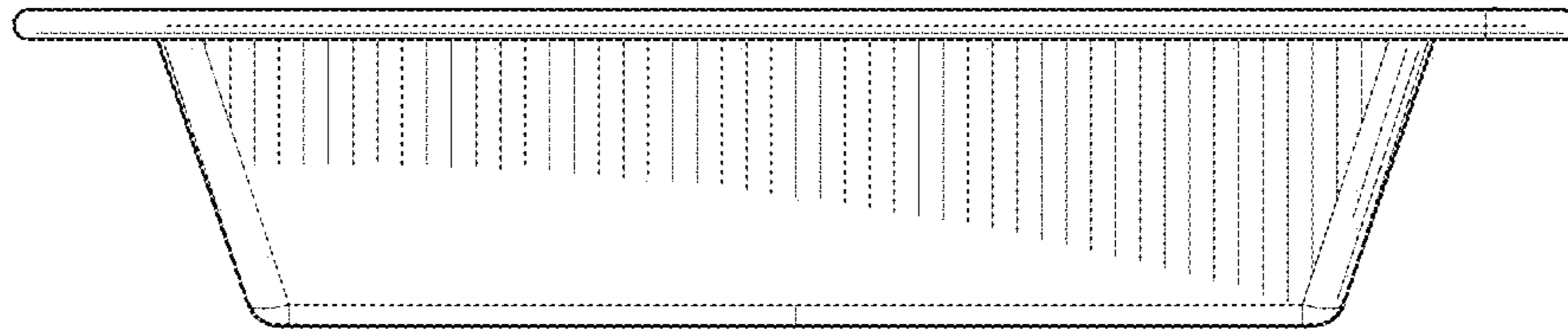


FIG. 2

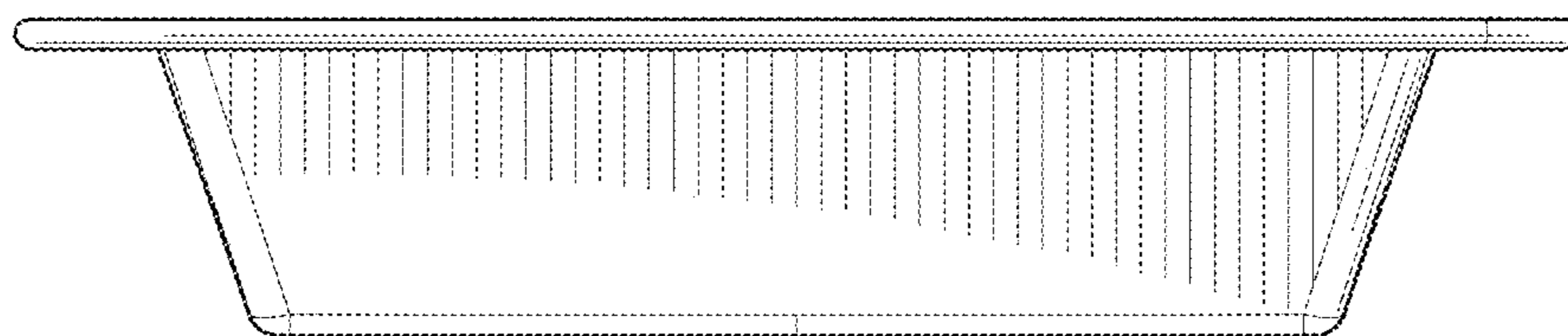


FIG. 3

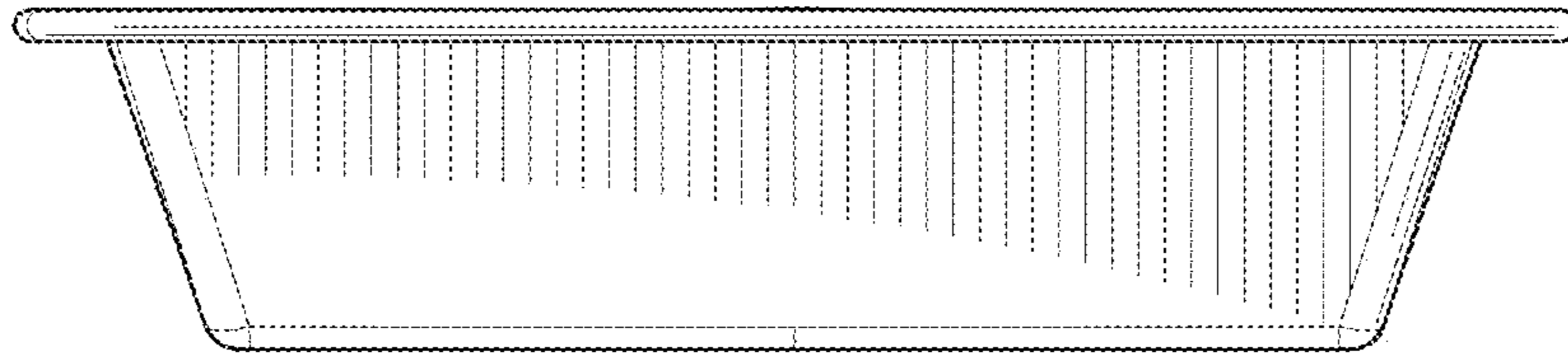


FIG. 4

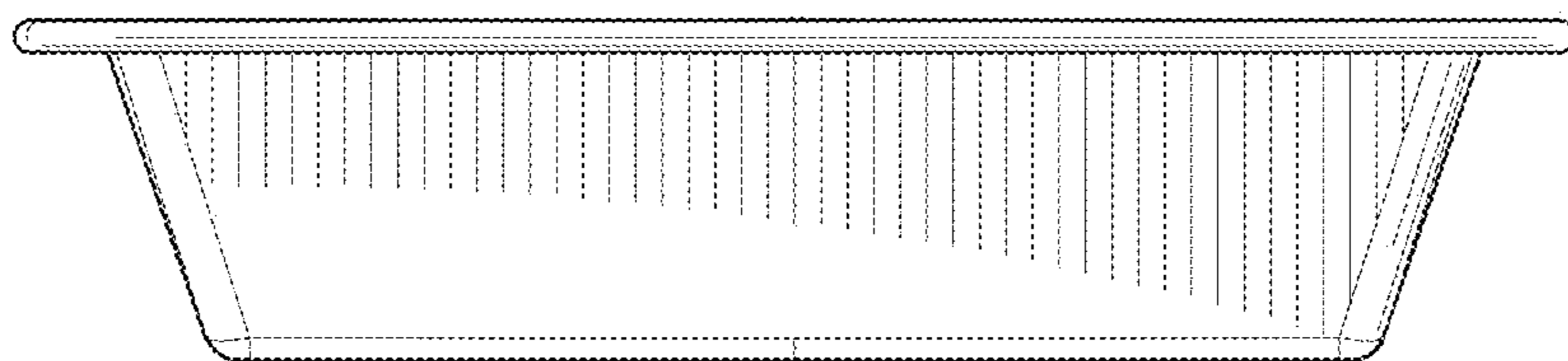


FIG. 5

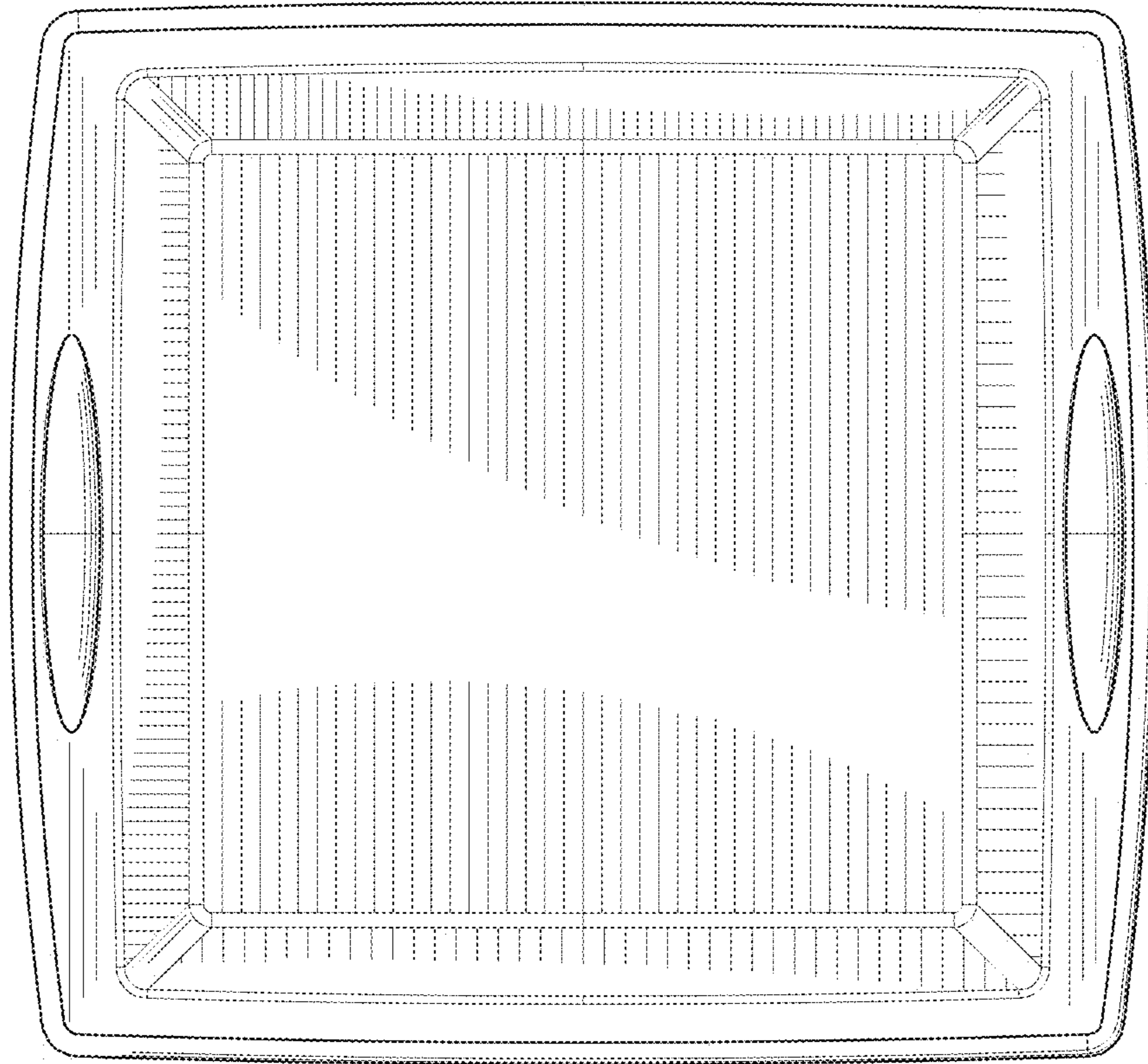


FIG. 6

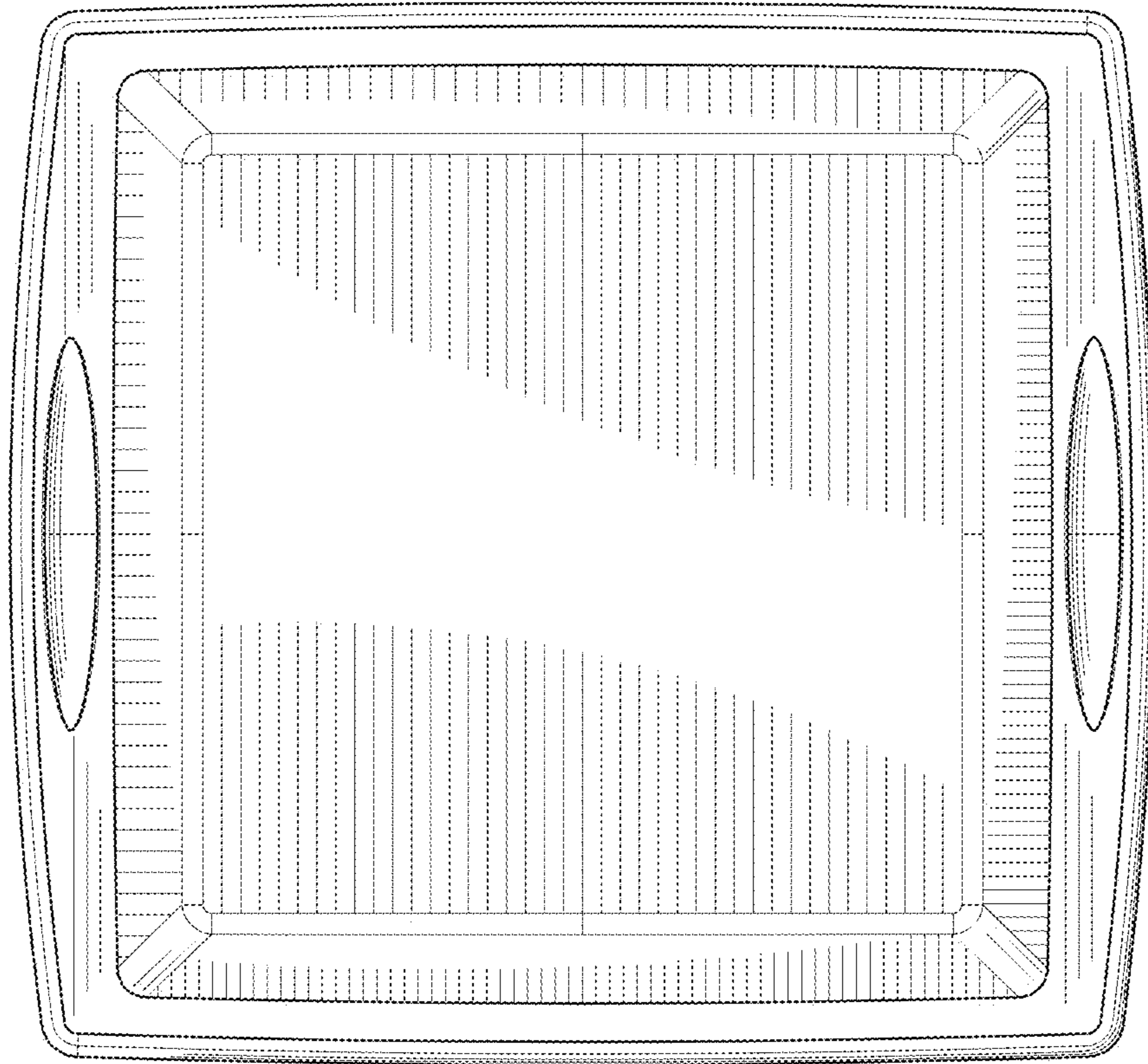


FIG. 7