



US00D965383S

(12) **United States Design Patent**
Dong

(10) **Patent No.:** **US D965,383 S**

(45) **Date of Patent:** **** Oct. 4, 2022**

(54) **BAKING MOLD**

(71) Applicant: **Lin Dong**, Shenzhen (CN)

(72) Inventor: **Lin Dong**, Shenzhen (CN)

(**) Term: **15 Years**

(21) Appl. No.: **29/775,524**

(22) Filed: **Mar. 24, 2021**

(51) **LOC (13) Cl.** **07-02**

(52) **U.S. Cl.**

USPC **D7/360; D7/354**

(58) **Field of Classification Search**

USPC D7/323, 354-361, 542, 543, 545, 549,
D7/550.1, 552.1, 553.1-553.8,
D7/554.1-554.4, 555, 584, 586, 602;
D9/430-433, 455-456, 737, 756-762
CPC A21B 3/00; A21B 3/13; A21B 3/15; A21B
3/134; A21B 5/00; A21B 5/02; A47J
36/022; A47J 36/025; A47J 36/027; A47J
36/20; A47J 37/00; A47J 37/04; B65D
1/22; B65D 1/24; B65D 1/34; B65D
1/36; B65D 81/343; B65D 85/36
See application file for complete search history.

(56) **References Cited**

U.S. PATENT DOCUMENTS

D289,844 S * 5/1987 Daenen D7/354
6,546,850 B1 * 4/2003 Akiyama-Warren ... A47J 36/20
220/759

D476,851 S * 7/2003 Wuestman D7/545
D588,859 S * 3/2009 Simon D7/354
D816,387 S * 5/2018 Mirchandani D7/354
D832,026 S * 10/2018 Garcia Luna D7/354
D859,060 S * 9/2019 Mirchandani D7/360

OTHER PUBLICATIONS

Caliente Nonstick Deep Loaf Pan. Date First Available on Amazon.com Dec. 23, 2020. <https://www.amazon.com/dp/B089SBSX9W/ref> (Year: 2020).*

* cited by examiner

Primary Examiner — Ricky Pham

(74) *Attorney, Agent, or Firm* — WPAT, PC

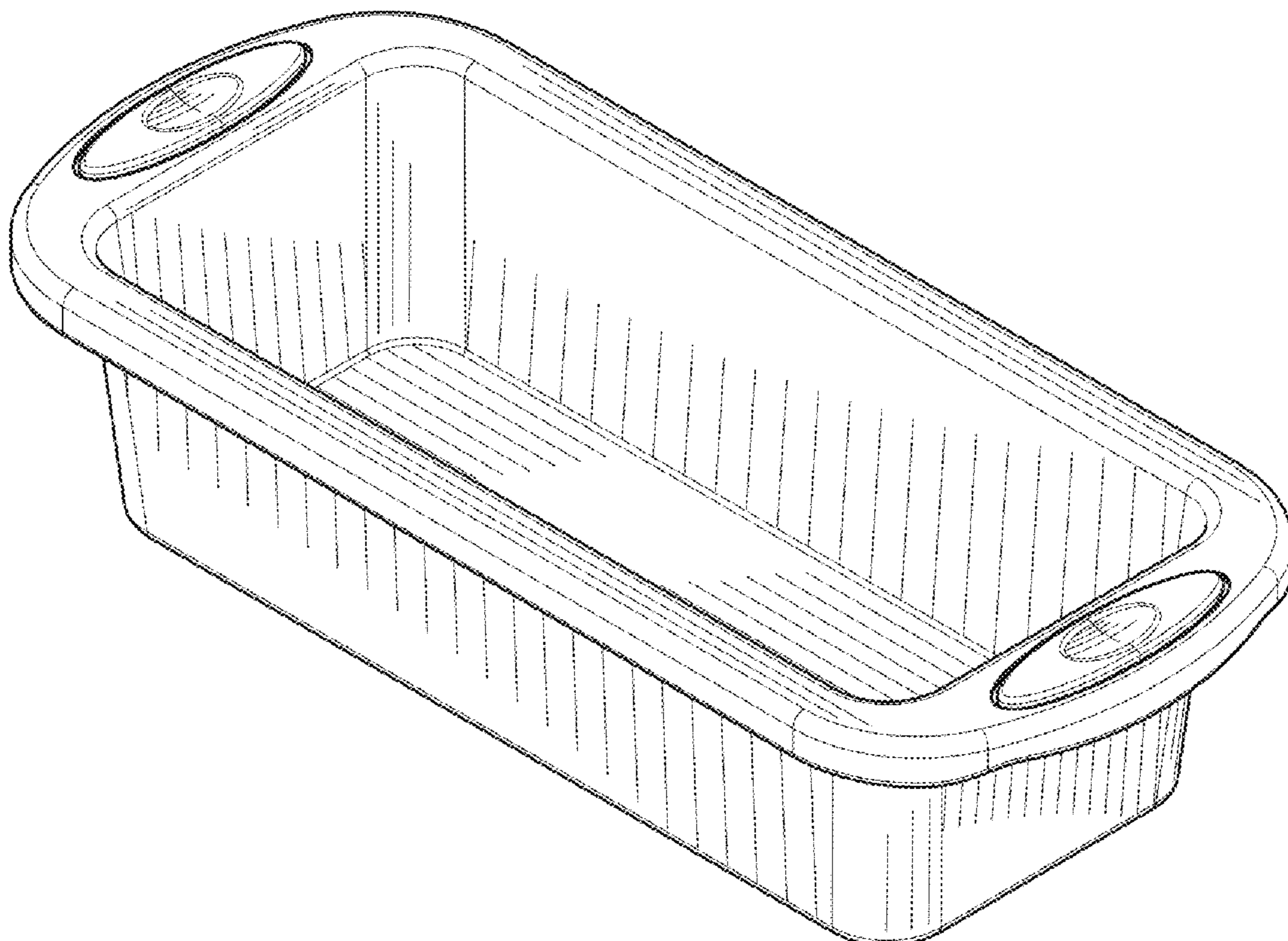
(57) **CLAIM**

The ornamental design for a baking mold, as shown and described.

DESCRIPTION

FIG. 1 is a perspective view of a baking mold showing the new design;
FIG. 2 is a front view thereof;
FIG. 3 is a rear view thereof;
FIG. 4 is a left-side view thereof;
FIG. 5 is a right-side view thereof;
FIG. 6 is a top view thereof; and,
FIG. 7 is a bottom view thereof.

1 Claim, 5 Drawing Sheets



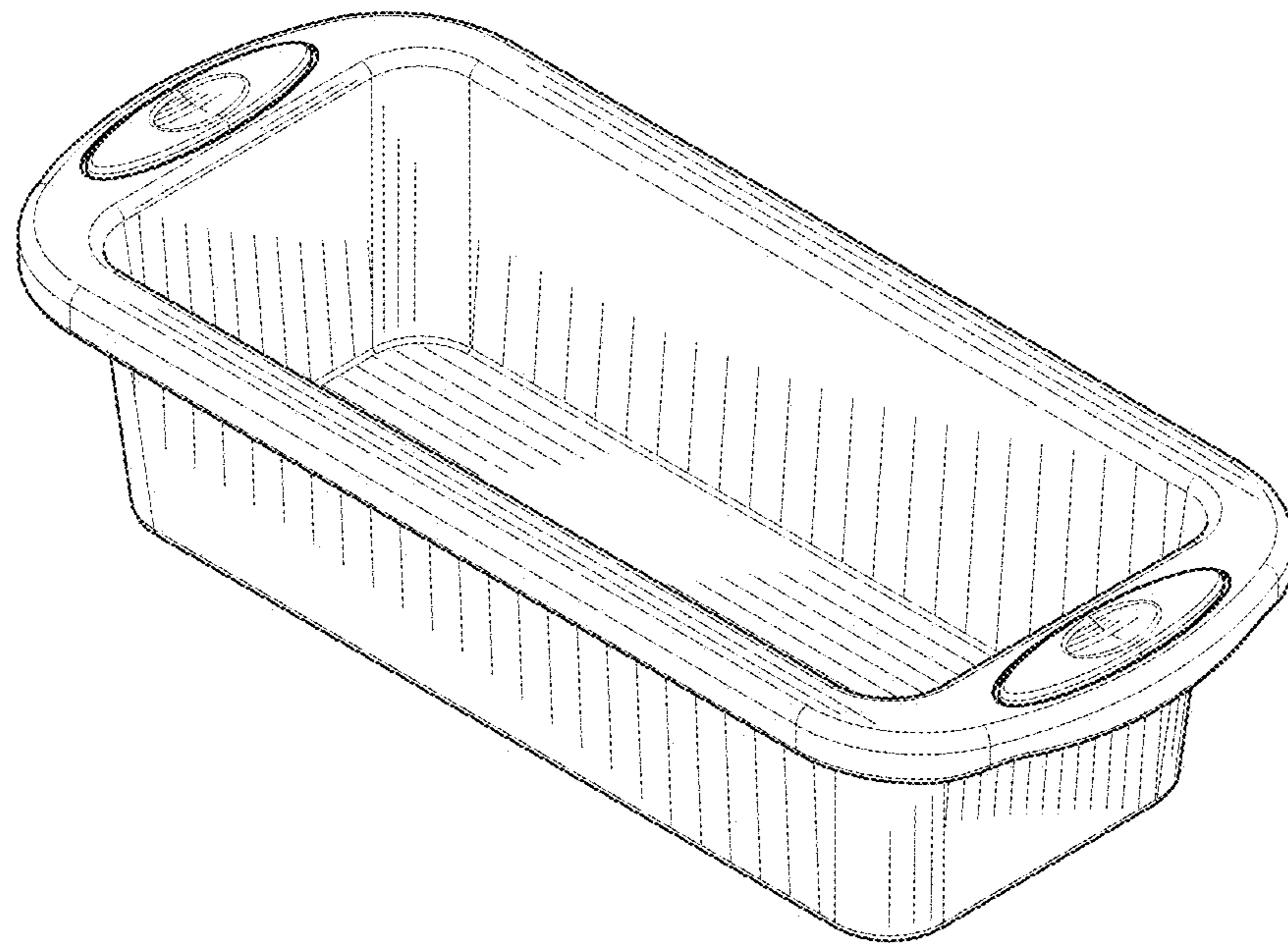


FIG. 1

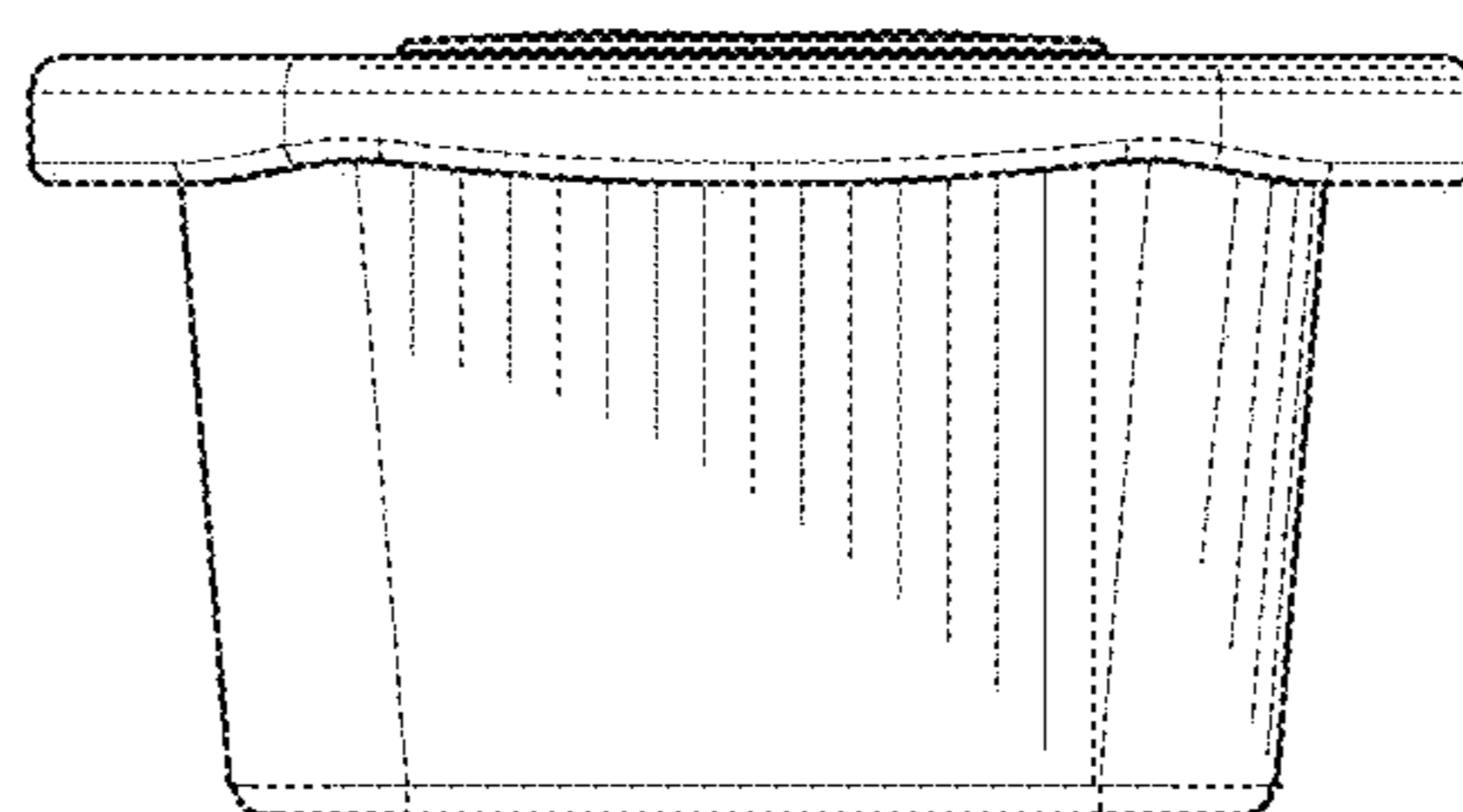


FIG. 2

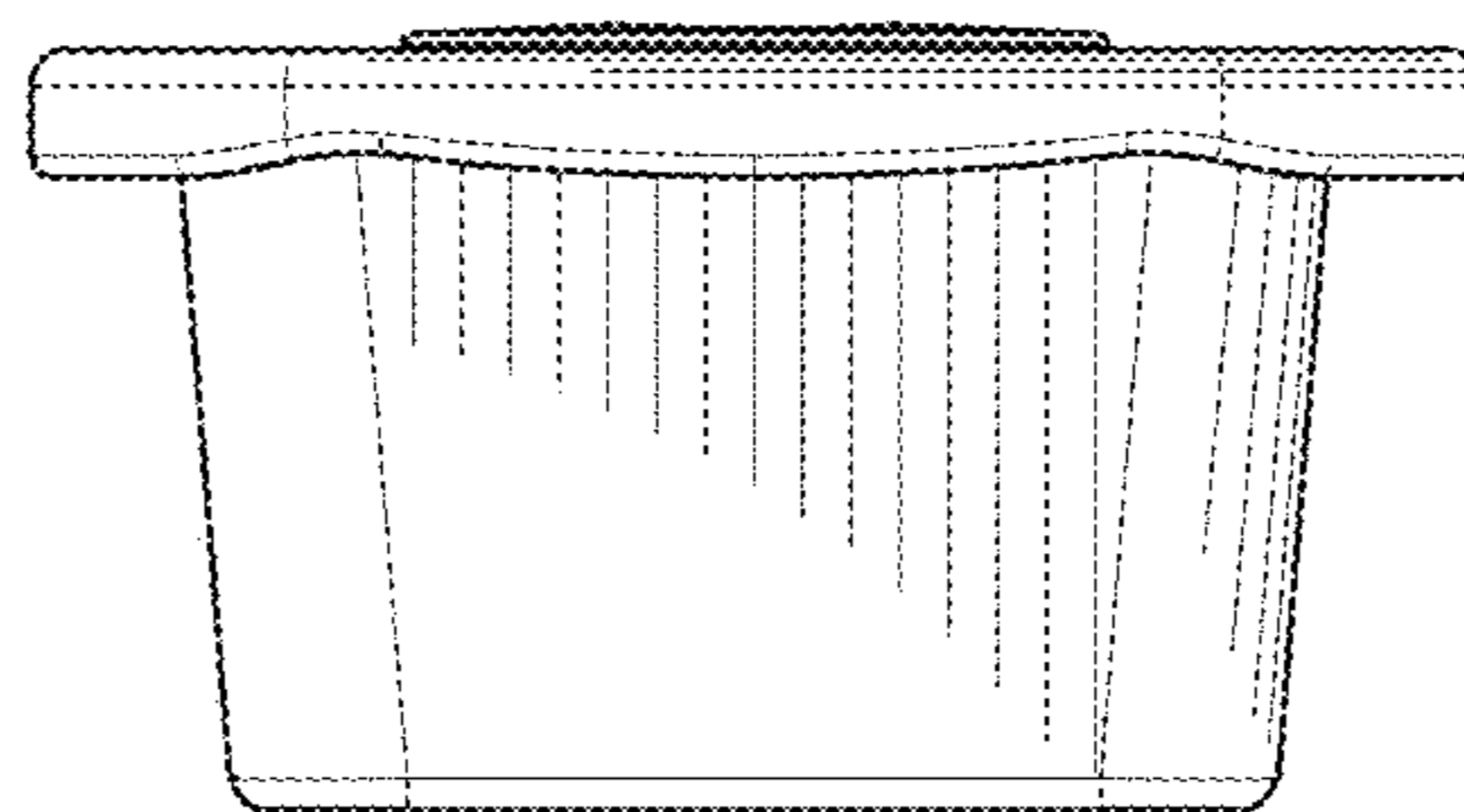


FIG. 3

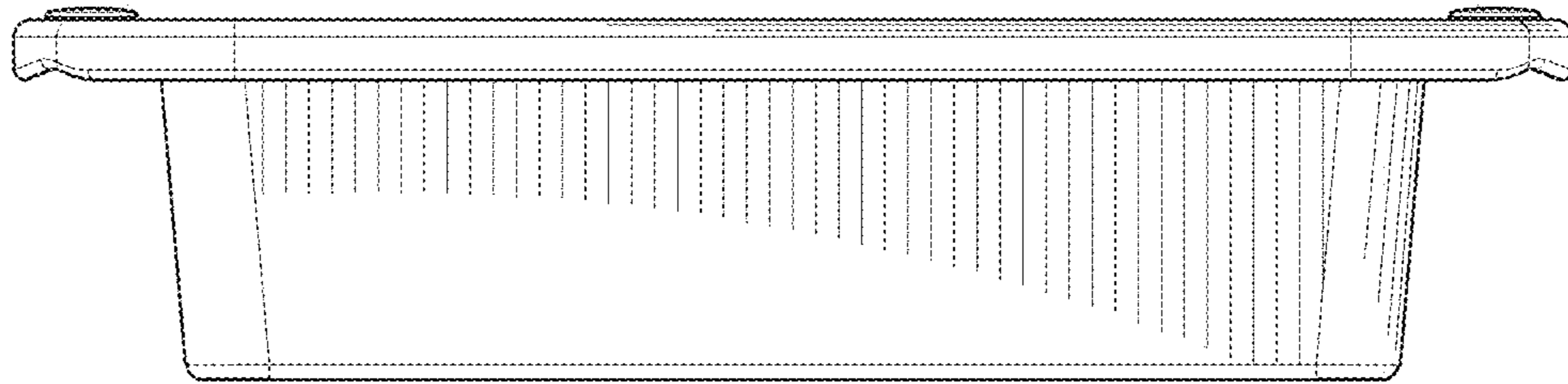


FIG. 4

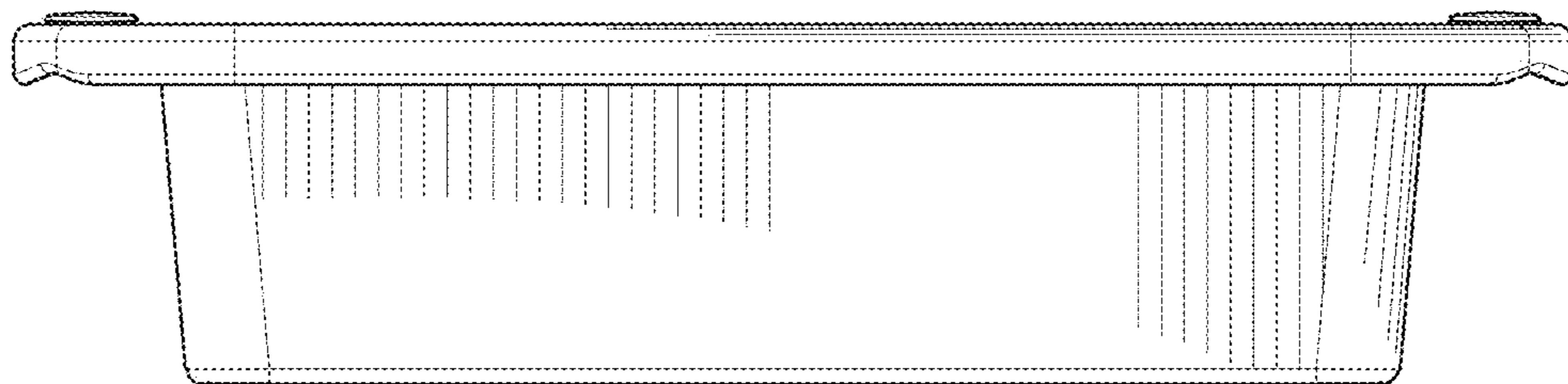


FIG. 5

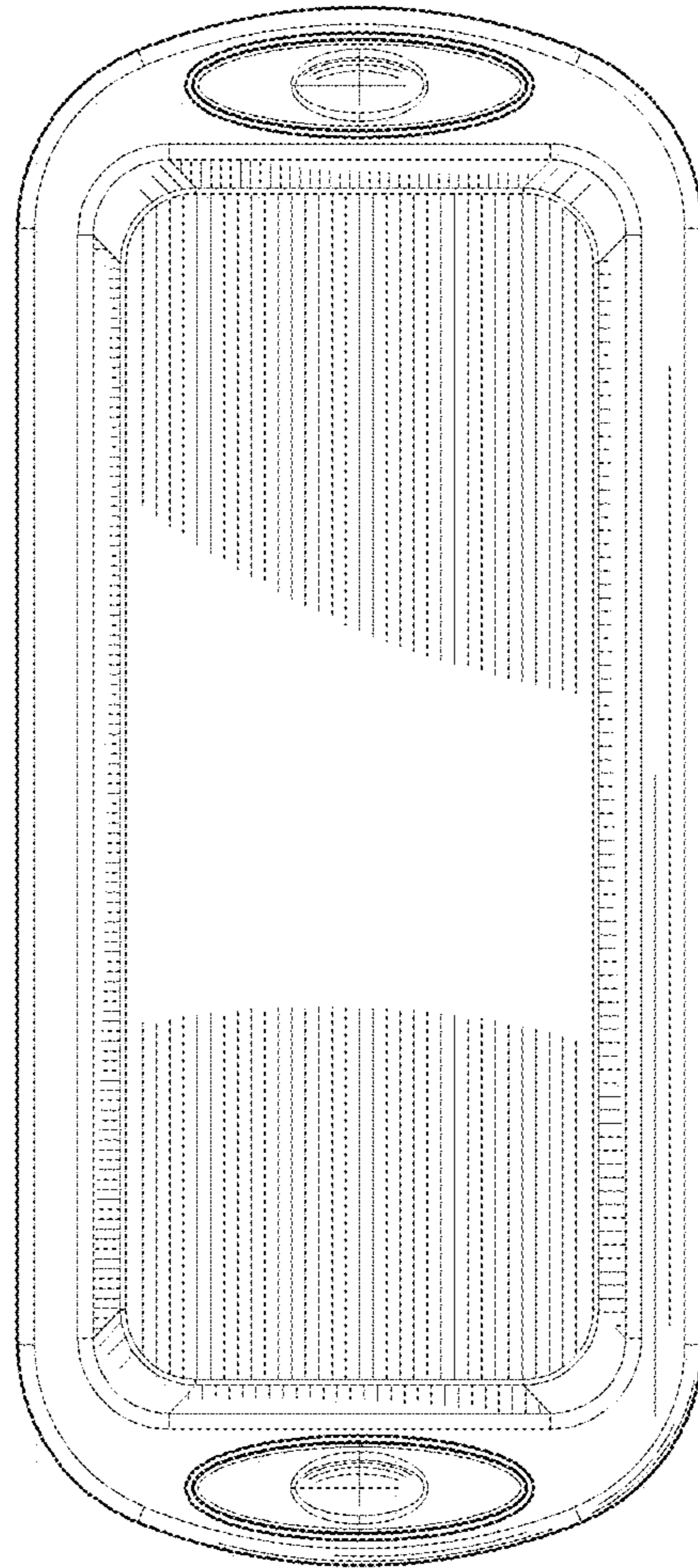


FIG. 6

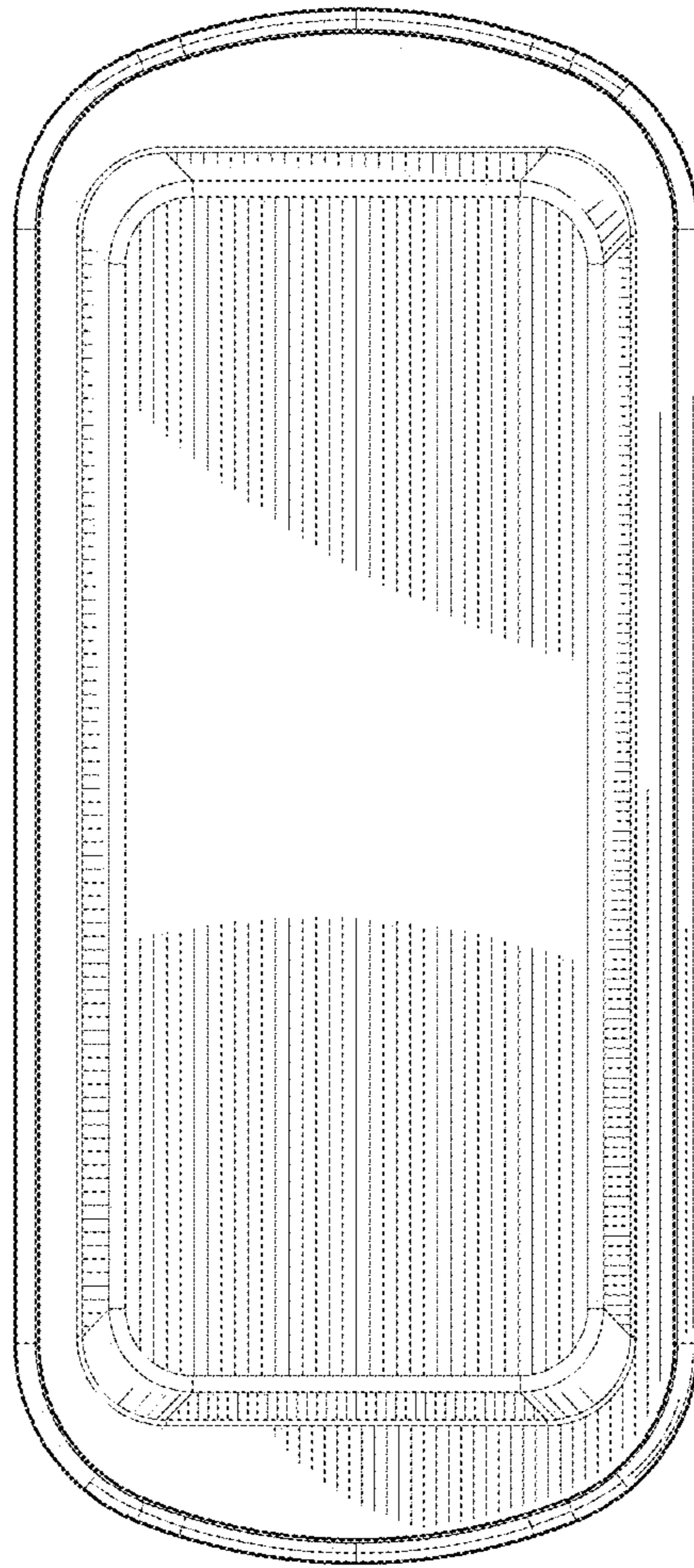


FIG. 7