



US00D965378S

(12) **United States Design Patent** (10) **Patent No.:** **US D965,378 S**
Lati (45) **Date of Patent:** **** Oct. 4, 2022**

(54) **BAKING DISH**
(71) Applicant: **Dib Lati**, Brooklyn, NY (US)
(72) Inventor: **Dib Lati**, Brooklyn, NY (US)
(**) Term: **15 Years**
(21) Appl. No.: **29/766,466**
(22) Filed: **Jan. 15, 2021**
(51) **LOC (13) Cl.** **07-02**
(52) **U.S. Cl.**
USPC **D7/354**
(58) **Field of Classification Search**
USPC D3/302; D7/323, 354-361, 540, 543,
D7/545, 549, 550.1, 553.1-553.8,
D7/554.1-554.4, 555, 584, 586, 602, 605,
D7/629; D9/430-433, 455-456, 737,
D9/756-762
CPC A21B 3/00; A21B 3/13; A21B 3/15; A21B
3/134; A21B 5/00; A21B 5/02; A47J
36/022; A47J 36/025; A47J 36/027; A47J
37/00; A47J 37/04; B65D 1/22; B65D
1/24; B65D 1/34; B65D 1/36; B65D
45/18; B65D 45/22; B65D 81/343; B65D
85/36
See application file for complete search history.

D452,374 S * 12/2001 Kim D3/302
D651,479 S * 1/2012 Nie D7/629
D685,603 S * 7/2013 Mishan D7/354
D803,631 S * 11/2017 Min D7/629
2004/0084464 A1* 5/2004 Koo B65D 45/18
220/784
2014/0069925 A1* 3/2014 Hwang B65D 45/22
220/315

* cited by examiner

Primary Examiner — Ricky Pham

(74) *Attorney, Agent, or Firm* — Ezra Sutton; Anthony Morano

(57) **CLAIM**

The ornamental design for a baking dish having a bottom cover, as shown and described.

DESCRIPTION

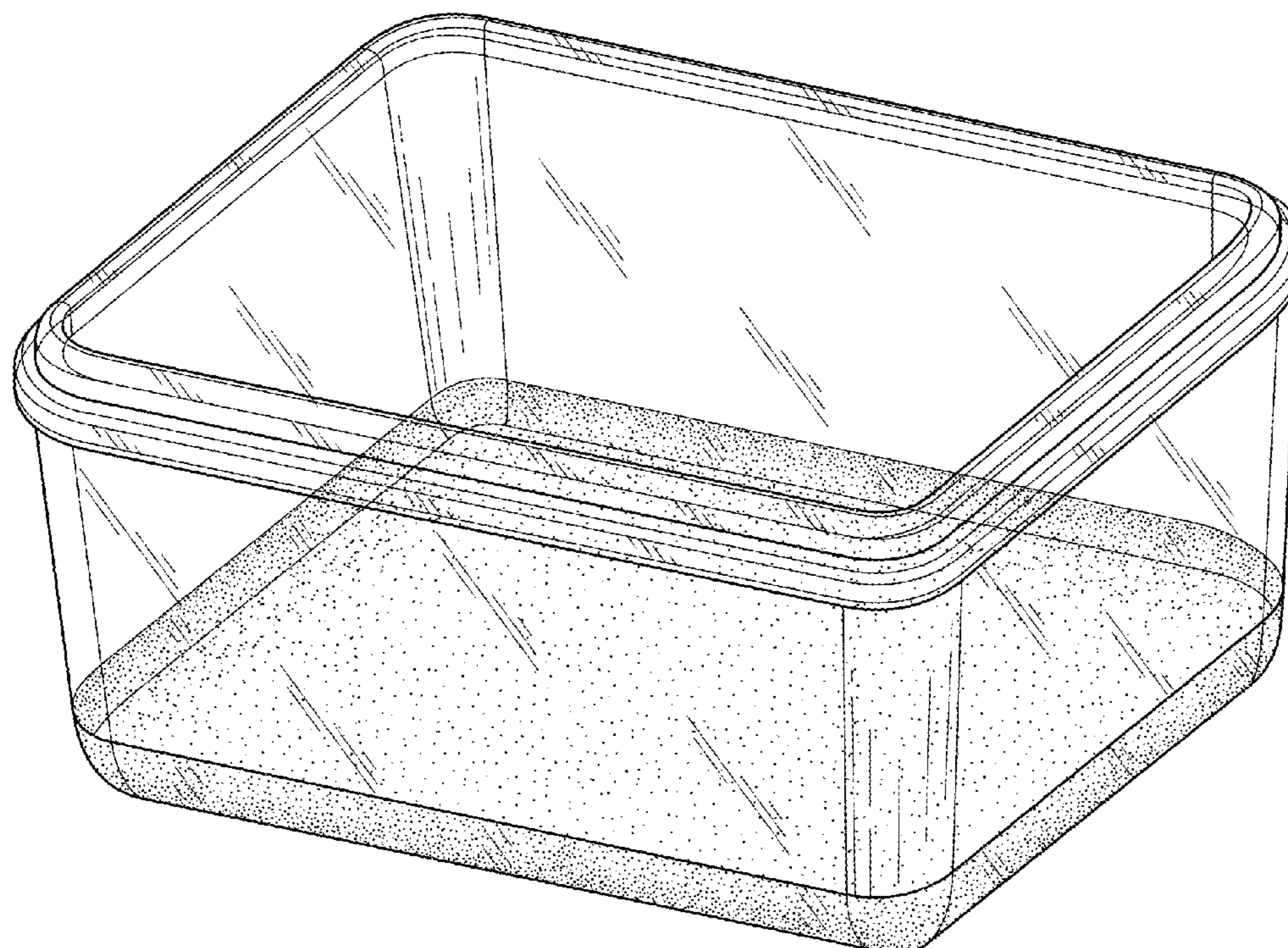
FIG. 1 is a perspective view of a baking dish showing a new design, wherein the baking dish is shown having a bottom cover;
FIG. 2 is a front view of the baking dish of FIG. 1, wherein the baking dish is shown having a bottom cover;
FIG. 3 is a rear view of the baking dish of FIG. 1, wherein the baking dish is shown having a bottom cover;
FIG. 4 is a right side view of the baking dish of FIG. 1, wherein the baking dish is shown having a bottom cover;
FIG. 5 is a left side view of the baking dish of FIG. 1, wherein the baking dish is shown having a bottom cover;
FIG. 6 is a top view of the baking dish of FIG. 1, wherein the baking dish is shown having a bottom cover; and,
FIG. 7 is a bottom view of the baking dish of FIG. 1, wherein the baking dish is shown having a bottom cover.

1 Claim, 5 Drawing Sheets

(56) **References Cited**

U.S. PATENT DOCUMENTS

D241,399 S * 9/1976 Christian D9/503
D281,754 S * 12/1985 Trombly D7/540
D282,809 S * 3/1986 Daenen D7/602



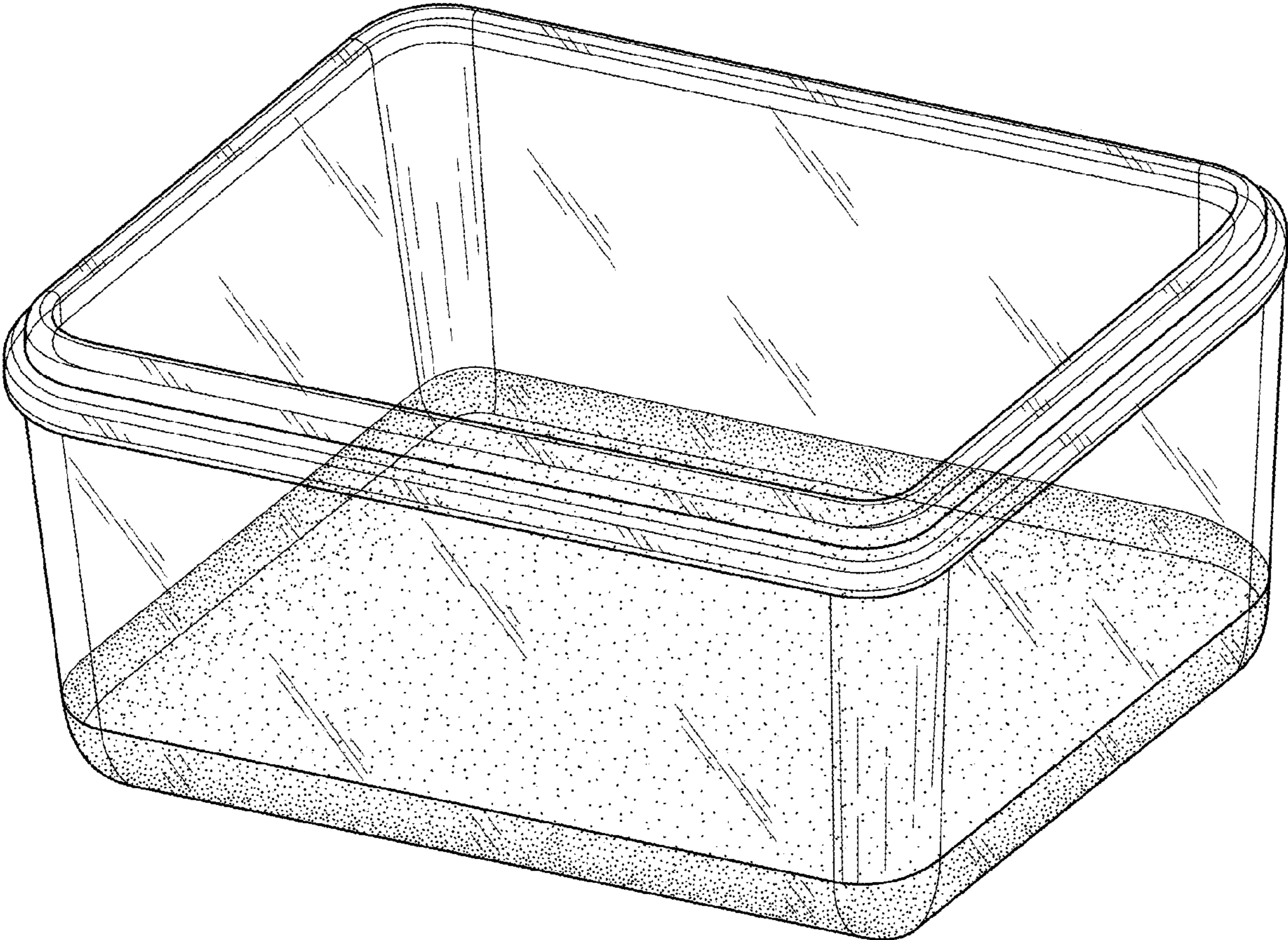


FIG. 1

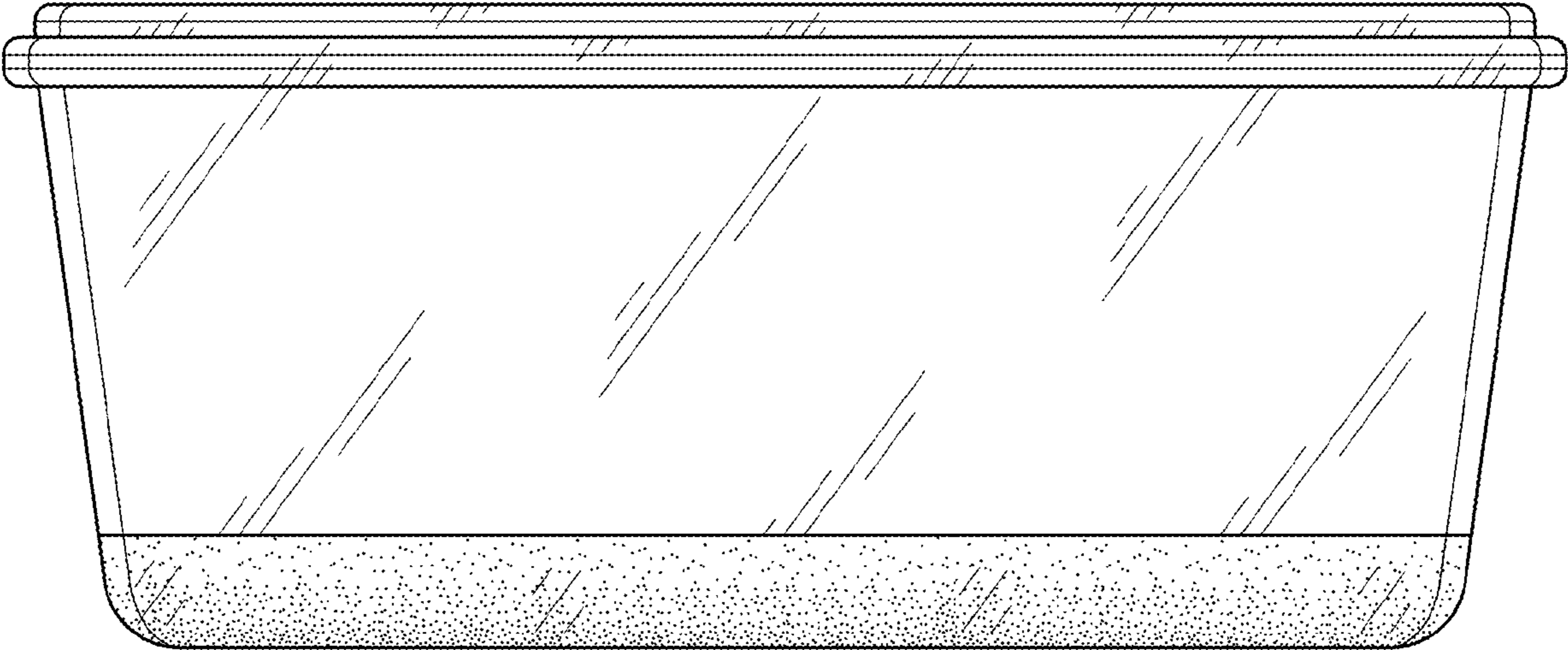


FIG. 2

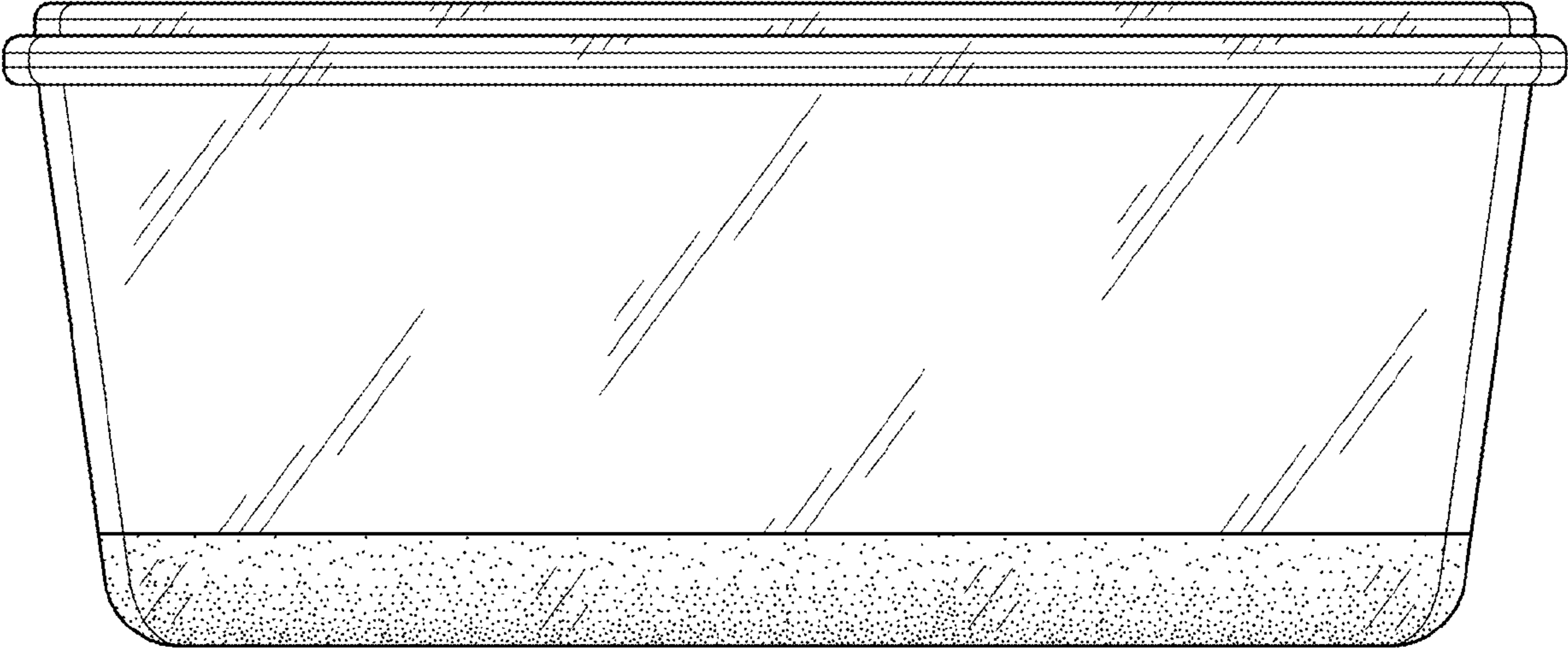


FIG. 3

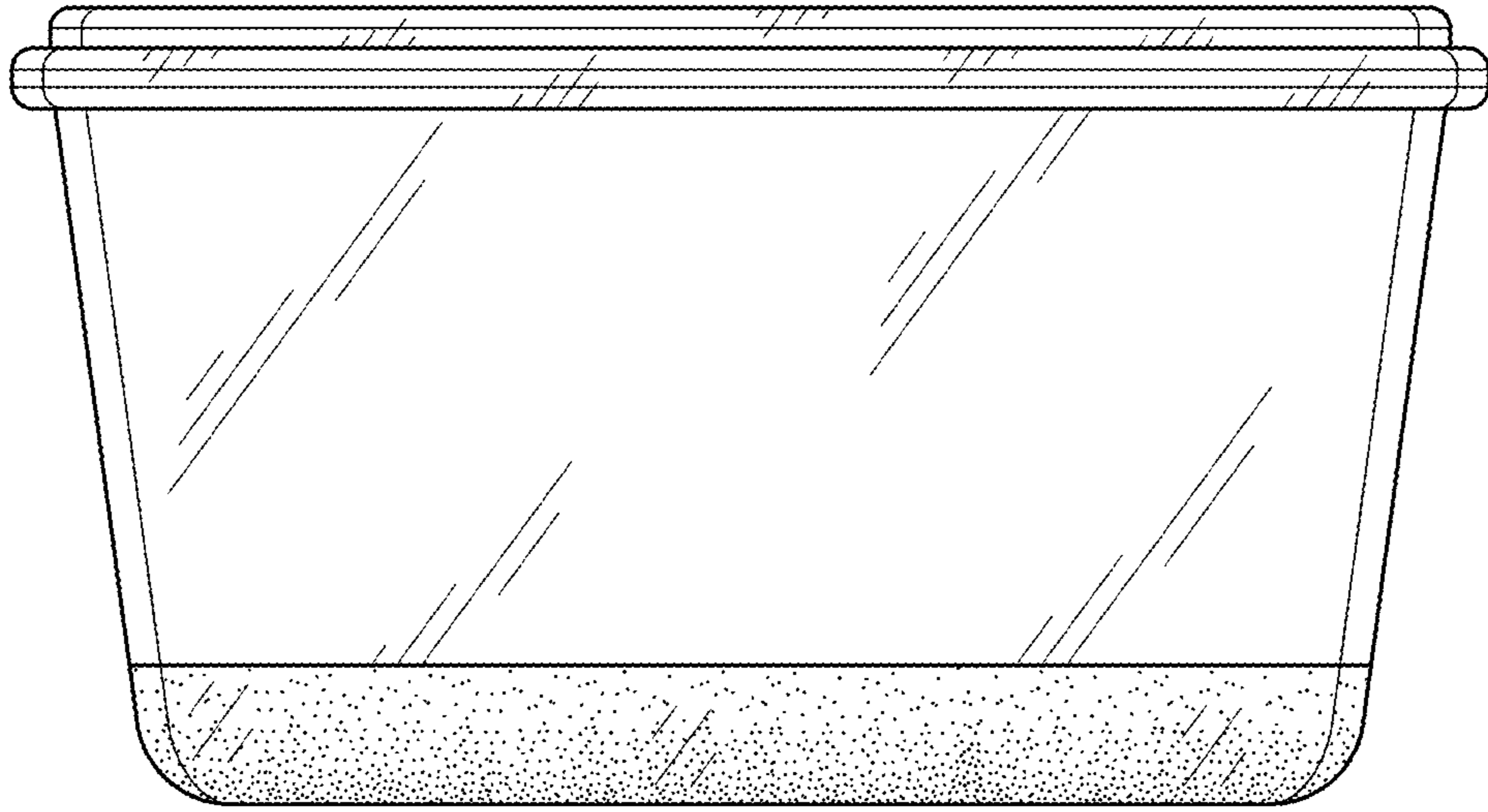


FIG. 4

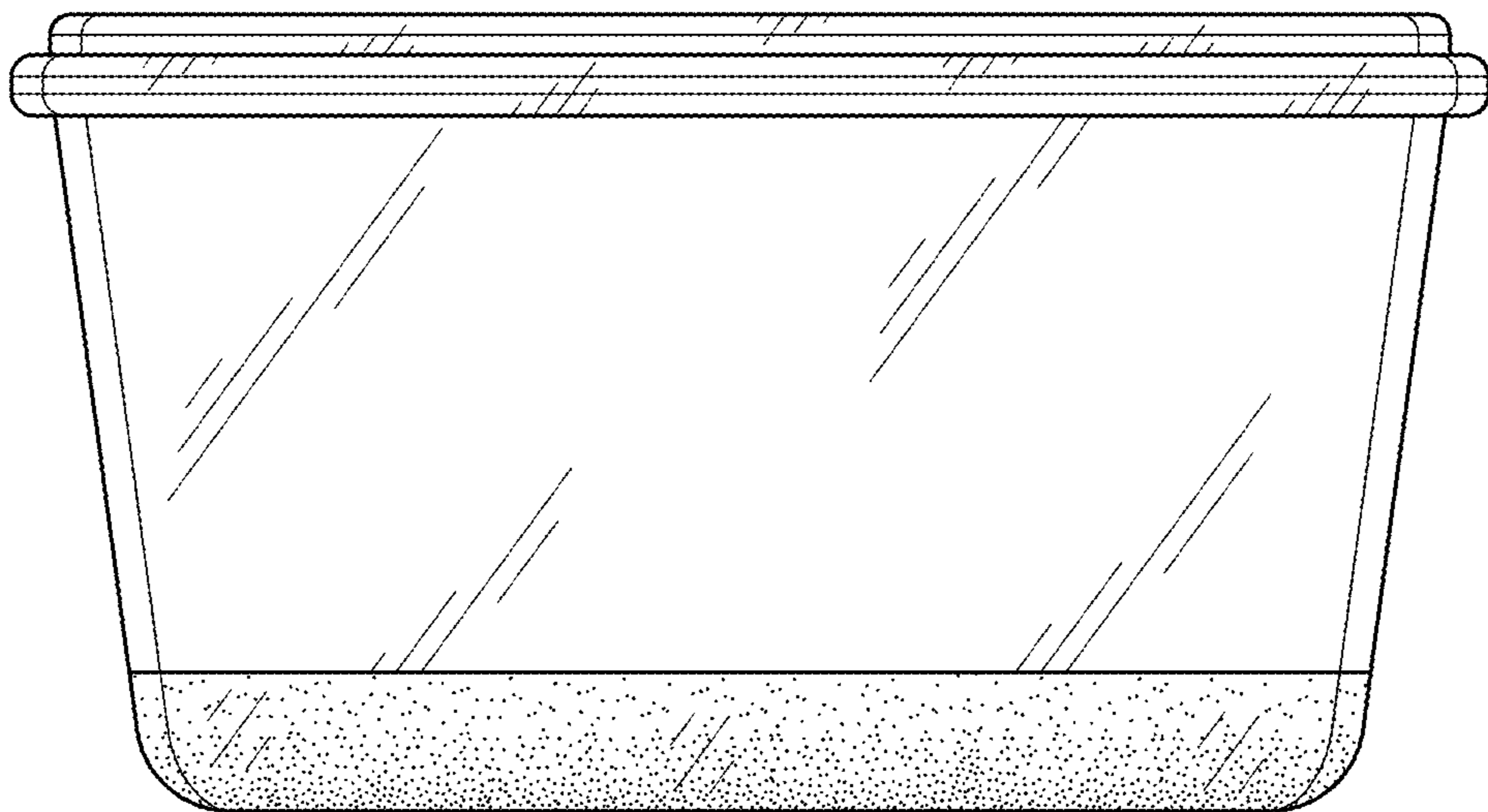


FIG. 5

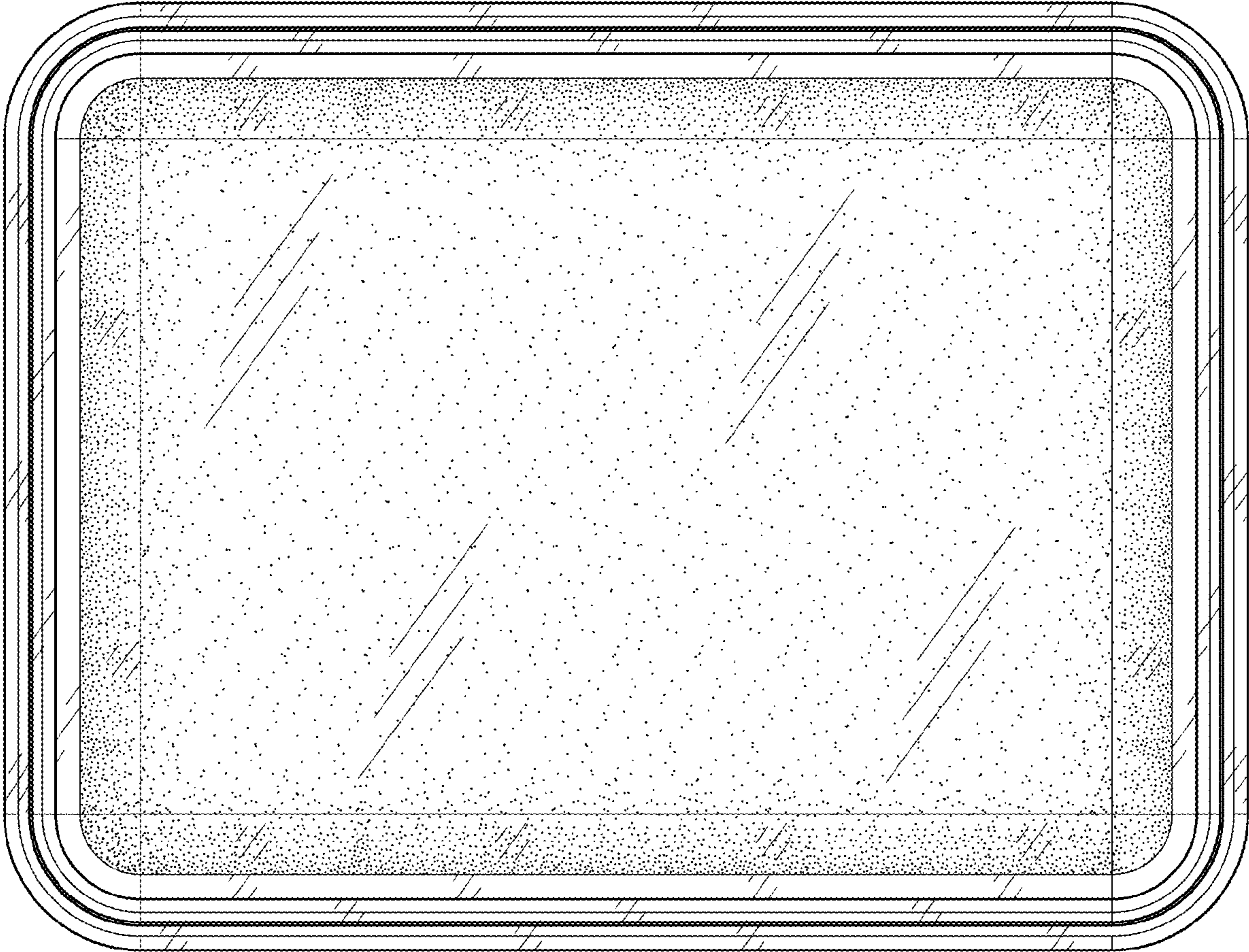


FIG. 6

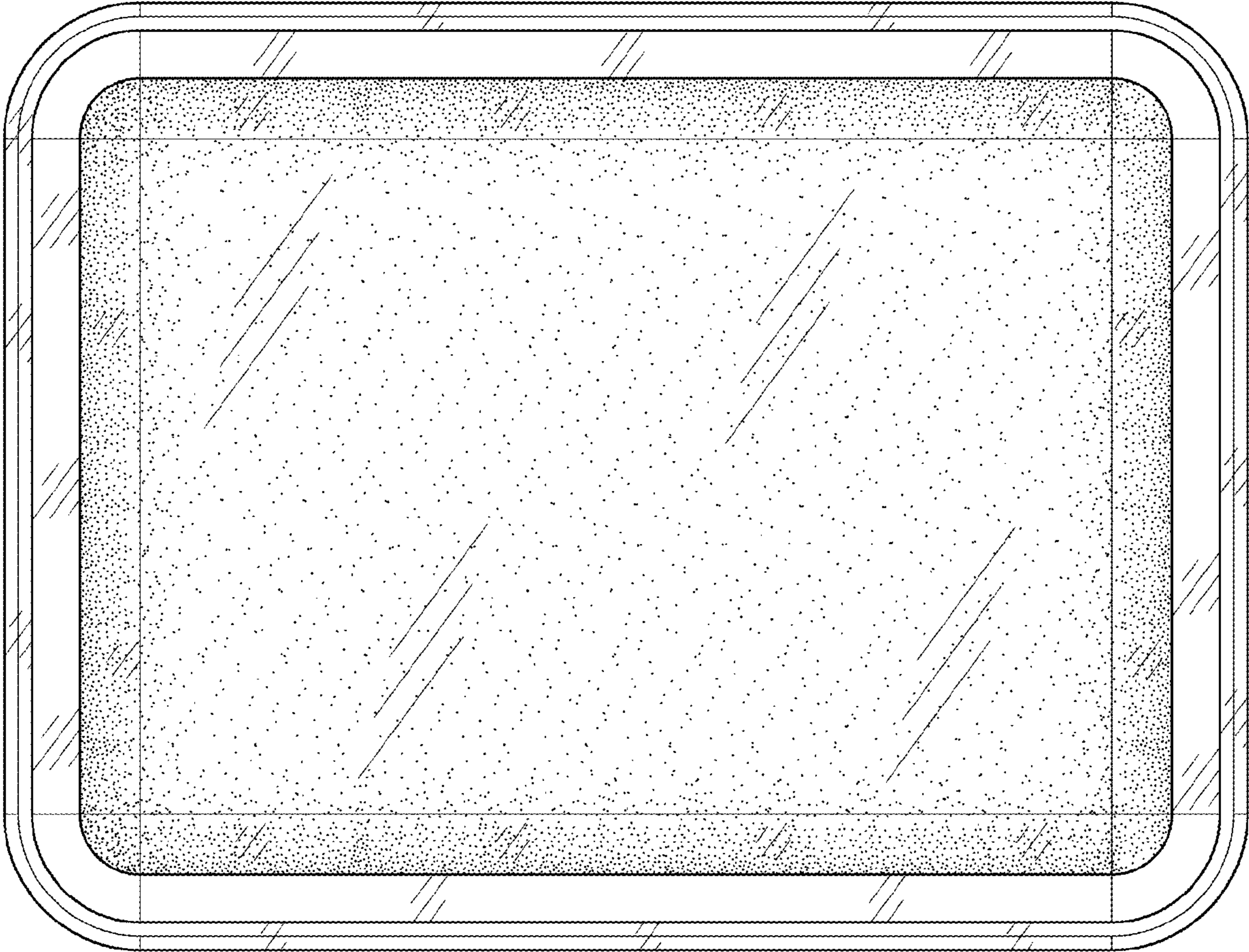


FIG. 7