



US00D965377S

(12) **United States Design Patent** (10) **Patent No.:** **US D965,377 S**
Colin (45) **Date of Patent:** **** Oct. 4, 2022**

(54) **COOKING APPLIANCE**

(71) Applicant: **BABYLISS FACO SRL**, Wandre (BE)

(72) Inventor: **Nicolas Colin**, Awirs (BE)

(73) Assignee: **BABYLISS FACO SRL**, Wandre (BE)

(**) Term: **15 Years**

(21) Appl. No.: **35/512,289**

(22) Filed: **Jul. 13, 2021**

(80) **Hague Agreement Data**

Int. Filing Date: **Jul. 13, 2021**

Int. Reg. No.: **DM/215402**

Int. Reg. Date: **Jul. 13, 2021**

Int. Reg. Pub. Date: **Jul. 30, 2021**

(30) **Foreign Application Priority Data**

Jan. 20, 2021 (EM) 008407183-0001

(51) **LOC (13) Cl.** **07-02**

(52) **U.S. Cl.**
USPC **D7/352**

(58) **Field of Classification Search**
USPC D7/300, 306, 309, 352, 358, 362, 553,
D7/665, 323, 363, 402, 409
CPC A47J 37/07; A47J 37/0676
See application file for complete search history.

(56) **References Cited**

U.S. PATENT DOCUMENTS

D714,092 S *	9/2014	Verbrugge	D7/352
D715,086 S *	10/2014	Piret	D7/352
D741,651 S *	10/2015	Marsh-Croft	D7/352
D766,645 S *	9/2016	Koszylko	D7/363
D811,155 S *	2/2018	De' Longhi	D7/352
D811,799 S *	3/2018	Fransen	D7/352
D884,410 S *	5/2020	Tan	D7/352
D940,495 S *	1/2022	Huang	D7/352
D944,049 S *	2/2022	Ernotte	D7/362
D949,619 S *	4/2022	Bodum	D7/352
D949,620 S *	4/2022	Bodum	D7/352

* cited by examiner

Primary Examiner — S. Bryan Reinholdt, Jr.

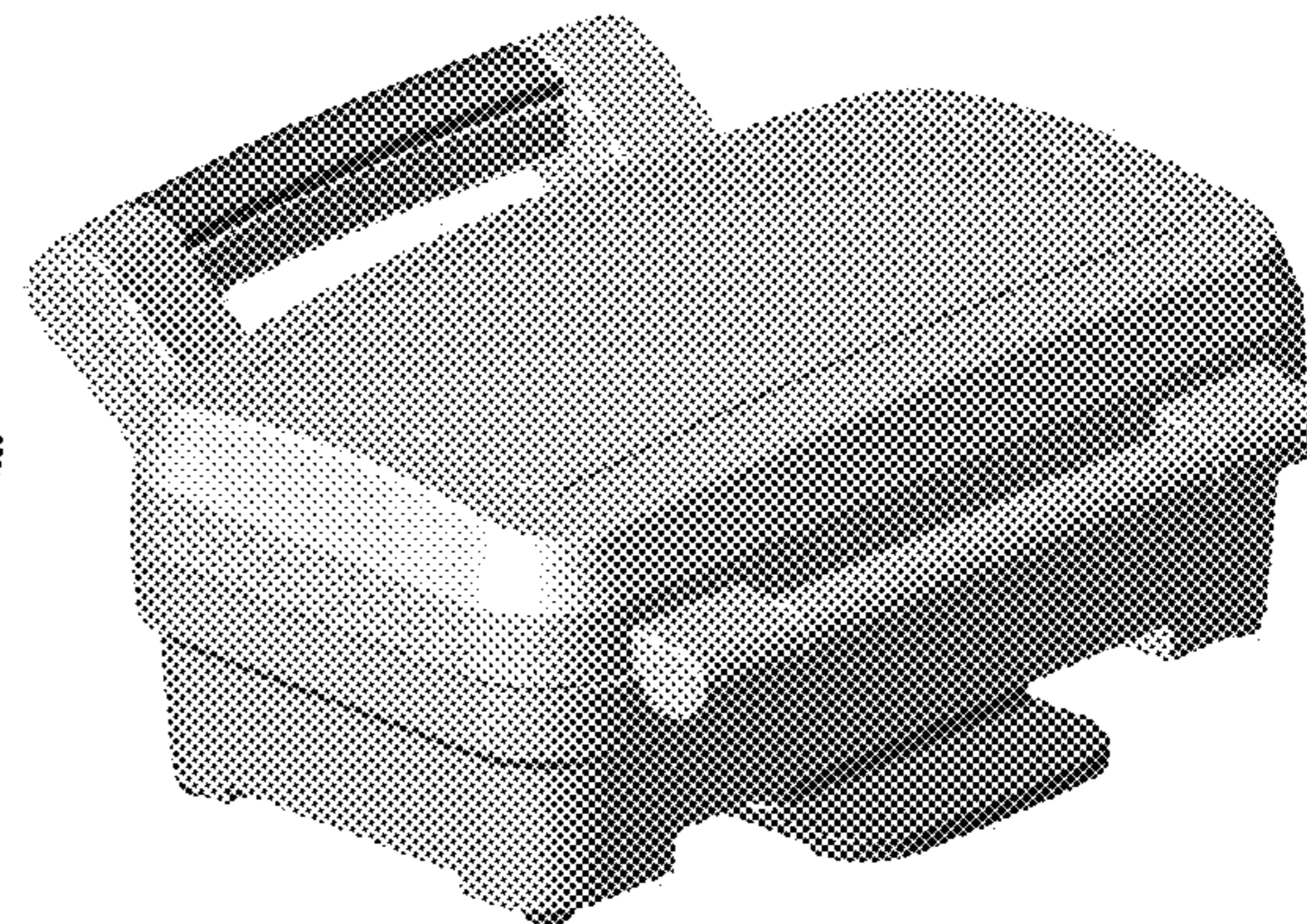
(57) **CLAIM**

The ornamental design for a cooking appliance, as shown and described.

DESCRIPTION

1. Cooking appliance
FIG. 1.1 is a front, right, and top perspective view of the cooking appliance showing my new design;
FIG. 1.2 is a rear elevation view thereof;
FIG. 1.3 is a bottom plan view thereof;
FIG. 1.4 is a front elevation view thereof;
FIG. 1.5 is a right side elevation view thereof;
FIG. 1.6 is a top plan view thereof; and
FIG. 1.7 is a front, left, and top perspective view thereof.

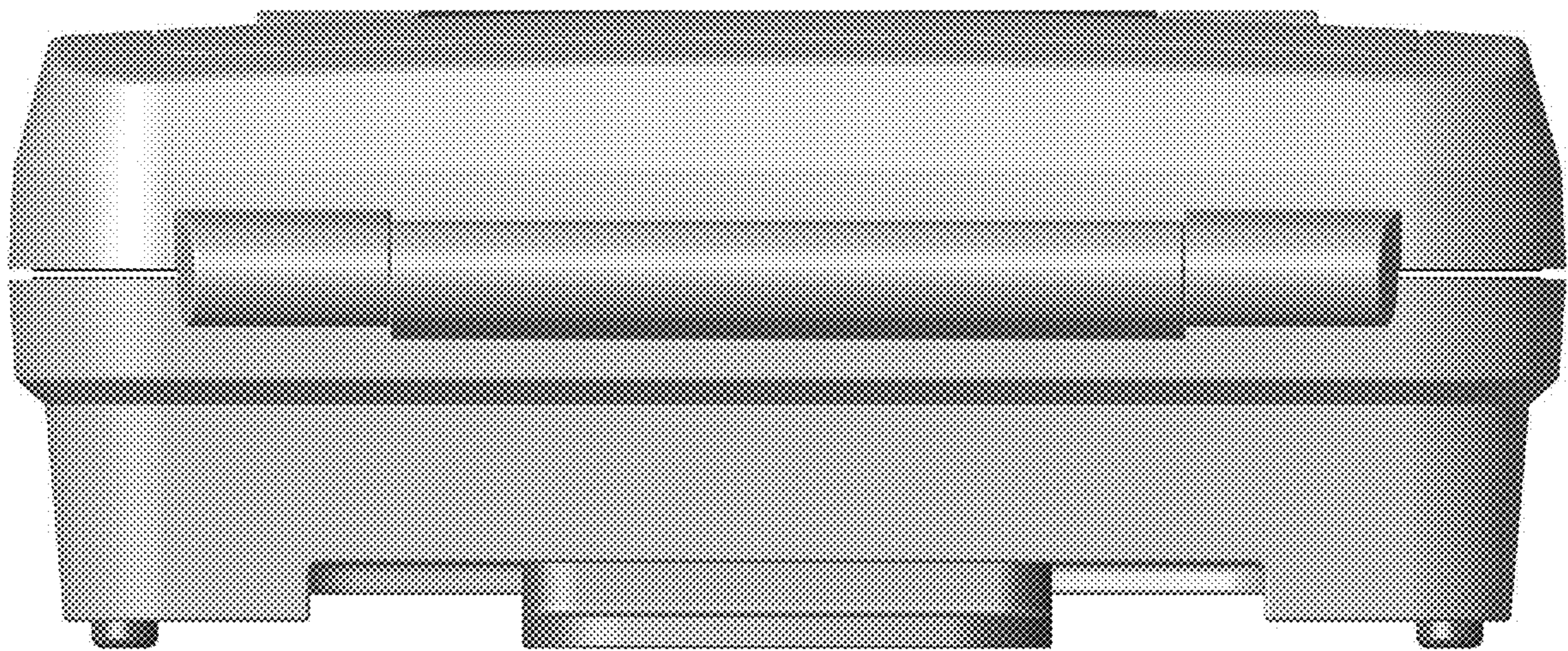
1 Claim, 7 Drawing Sheets



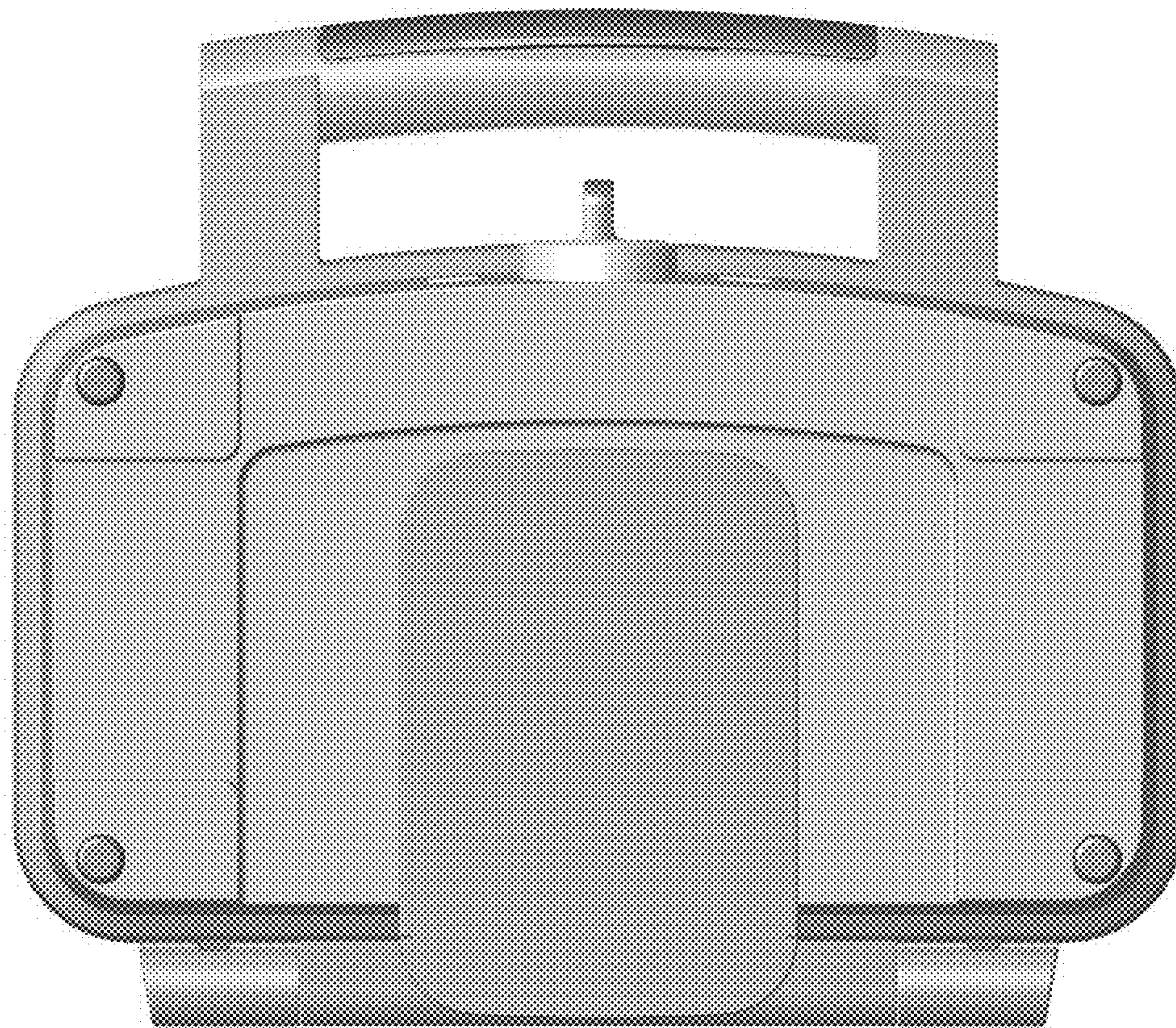
1.1



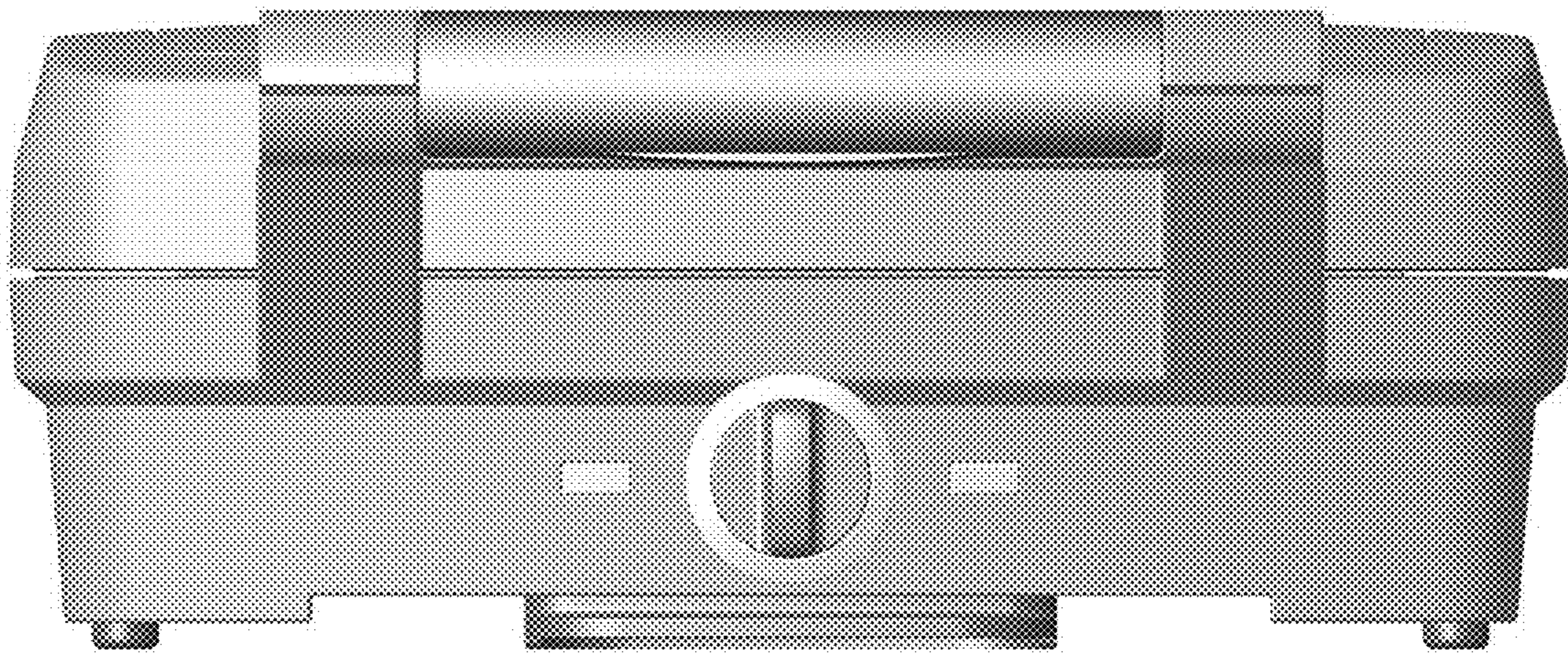
1.2



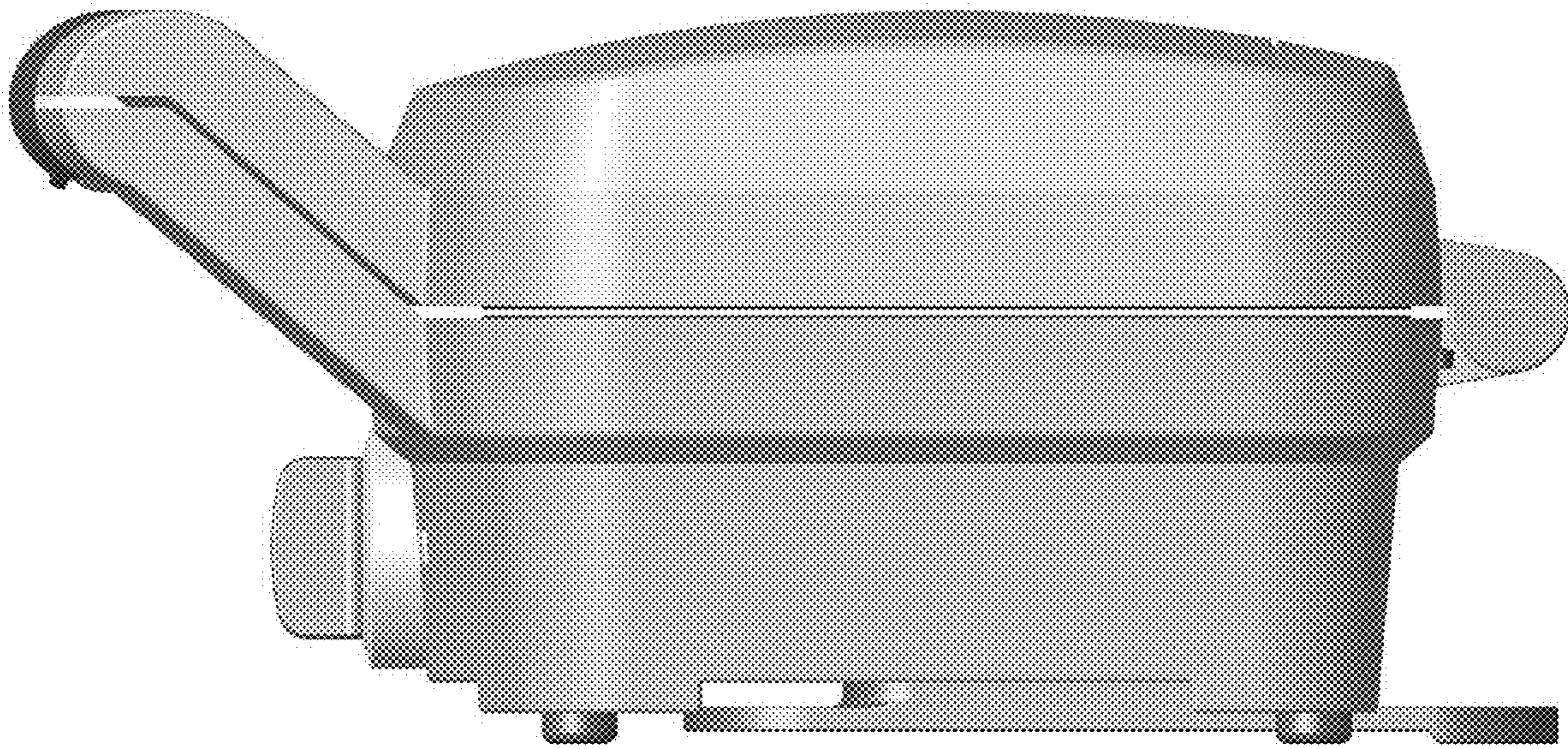
1.3



1.4



1.5



1.6



1.7

