



US00D965376S

(12) **United States Design Patent** (10) **Patent No.:** **US D965,376 S**  
**Dash et al.** (45) **Date of Patent:** **\*\* Oct. 4, 2022**

- (54) **COOKING APPLIANCE**
- (71) Applicant: **StoreBound LLC**, New York, NY (US)
- (72) Inventors: **Evan Marc Dash**, New York, NY (US);  
**Rachel Dash**, New York, NY (US);  
**Yiyang Zhang**, Brooklyn, NY (US);  
**Shelby Scott**, New York, NY (US);  
**Cheng-Shuo Lee**, Tainan (TW)
- (73) Assignee: **STOREBOUND LLC**
- (\*\*) Term: **15 Years**
- (21) Appl. No.: **29/723,678**
- (22) Filed: **Feb. 10, 2020**

**Related U.S. Application Data**

- (63) Continuation-in-part of application No. 29/701,166, filed on Aug. 8, 2019, now Pat. No. Des. 916,542.
- (51) **LOC (13) Cl.** ..... **07-02**
- (52) **U.S. Cl.**  
USPC ..... **D7/352**
- (58) **Field of Classification Search**  
USPC ..... D7/323, 328-330, 337, 347, 352-364,  
D7/367, 378, 402, 409-411  
CPC . A21B 5/023; A47J 27/60; A47J 27/62; A47J  
37/04; A47J 37/06; A47J 37/067; A47J  
37/0605; A47J 37/0611; A47J 37/0623;  
A47J 37/0629; A47J 37/0676; A47J  
2037/06; A47J 2037/0611; F24C 15/10;  
F24C 15/102; H05B 6/02; H05B 6/062  
See application file for complete search history.

(56) **References Cited**

**U.S. PATENT DOCUMENTS**

- 2,232,738 A 2/1941 Serr
- 2,518,566 A 8/1950 Osterheld
- D175,547 S \* 9/1955 Josephson ..... D7/352

- D177,637 S \* 5/1956 Moore ..... D7/352
- D179,630 S \* 2/1957 Ernest ..... D7/352
- 3,720,156 A 3/1973 Hentschel et al.
- 3,859,505 A 1/1975 Herbrand et al.
- D276,022 S 10/1984 Bowen et al.
- 4,646,628 A 3/1987 Lederman
- D299,903 S 2/1989 Grutzke
- D367,994 S \* 3/1996 Bloom ..... D7/352
- D466,361 S \* 12/2002 Wanat ..... D7/352
- D543,410 S 5/2007 Cohen et al.

(Continued)

**FOREIGN PATENT DOCUMENTS**

EP 0860131 A1 8/1998

**OTHER PUBLICATIONS**

Dash Deluxe Sous Vide Style Egg Bite Maker. Date First Available on Amazon.com Jan. 20, 2020. <https://www.amazon.com/dp/B0842RNMN3/ref> (Year: 2020).\*

(Continued)

*Primary Examiner* — Ricky Pham

(74) *Attorney, Agent, or Firm* — Belles Katz LLC

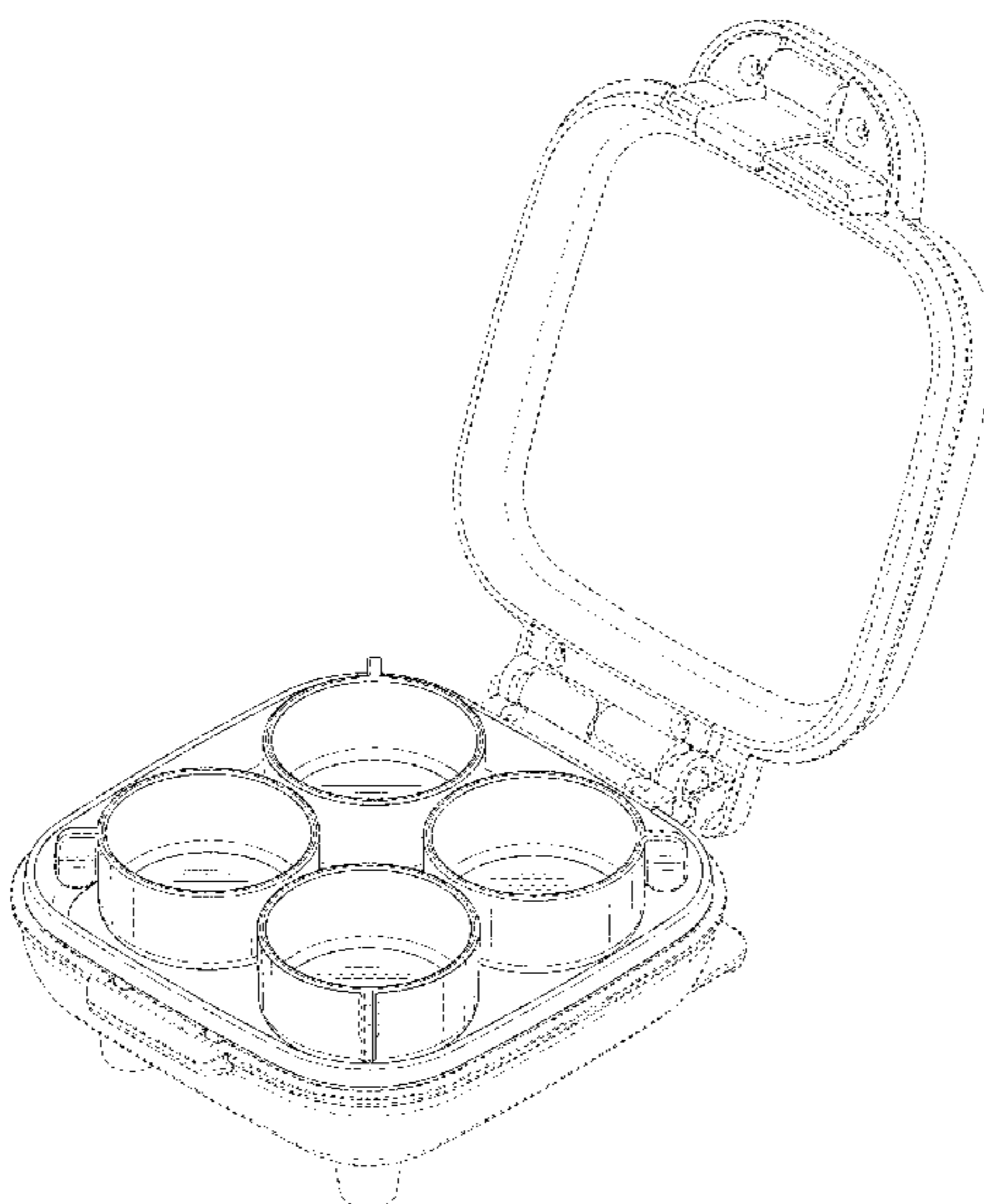
(57) **CLAIM**

The ornamental design for a cooking appliance, as shown and described.

**DESCRIPTION**

FIG. 1 is a perspective view of a cooking appliance according to our new design;  
FIG. 2 is a front view thereof;  
FIG. 3 is a rear view thereof;  
FIG. 4 is a right side view thereof;  
FIG. 5 is a left side view thereof;  
FIG. 6 is a top view thereof; and,  
FIG. 7 is a bottom view thereof.  
The broken lines in the drawings illustrate portions of the cooking appliance that form no part of the claimed design.

**1 Claim, 7 Drawing Sheets**



(56)

**References Cited**

U.S. PATENT DOCUMENTS

D589,294 S *	3/2009	Averty .....	D7/356
D643,243 S *	8/2011	Harrod .....	D7/352
D657,609 S	4/2012	Lavy et al.	
8,242,415 B2	8/2012	Tippmann et al.	
D669,299 S	10/2012	Lavy et al.	
D750,417 S	3/2016	Meraz	
D753,431 S	4/2016	Garman	
D762,082 S *	7/2016	Miceli .....	D7/352
D839,660 S *	2/2019	Chang .....	D7/378
D916,542 S *	4/2021	Lee .....	D7/352
2004/0094532 A1	5/2004	Li	
2015/0020694 A1	1/2015	Hara	
2016/0007644 A1	1/2016	Hack et al.	

OTHER PUBLICATIONS

Devinemedical website, <https://www.devinemedical.com/GR10ABW-George-Foreman-Grill-p/lss-gr10abw.htm>, retrieved Feb. 7, 2020, pp. 1-4.

iheartthemart.com, Walmart Rollback website, <http://www.iheartthemart.com/walmart-rollback-george-foreman-2-serving-classic-plate-electric-indoor-grill-and-panini-press/>, retrieved Feb. 7, 2020, pp. 1-5.

Recipetips website, <https://www.recipetips.com/glossary-term/t-37406/electric-grill.asp>, retrieved Feb. 7, 2020, pp. 1-2.

Amazon website, [https://www.amazon.com/Dash-Mini-Maker-Individual-Breakfast/dp/B01NAM6F2J/ref=sm\\_n\\_au\\_dka\\_US\\_pr\\_con\\_0\\_1?adId=B01NAM6F2J&creativeASIN=B01NAM6F2J&linkId=493946759003e117f1b84a4d5f9e1f30&tag=cookblock-20&linkCode=w41&ref-refURL=https%3A%2F%2Fwww.cookinggizmos.com%2Fdash-egg-bite-maker%2F&slotNum=4&imprToken=a06.uQCXb5hwR3vyFfINGA&adType=smart&adMode=auto&adFormat=grid&impressionTimestamp=1581092264784](https://www.amazon.com/Dash-Mini-Maker-Individual-Breakfast/dp/B01NAM6F2J/ref=sm_n_au_dka_US_pr_con_0_1?adId=B01NAM6F2J&creativeASIN=B01NAM6F2J&linkId=493946759003e117f1b84a4d5f9e1f30&tag=cookblock-20&linkCode=w41&ref-refURL=https%3A%2F%2Fwww.cookinggizmos.com%2Fdash-egg-bite-maker%2F&slotNum=4&imprToken=a06.uQCXb5hwR3vyFfINGA&adType=smart&adMode=auto&adFormat=grid&impressionTimestamp=1581092264784), retrieved Feb. 7, 2020, pp. 1-8.

Katom Restaurant Supply, Inc. website, [https://www.katom.com/085-ES604.html?gclid=Cj0KCQiAsvTxBRDkARIsAH4W\\_j9\\_31Gp7Z5Ch99q6P0voWgKgx a5pTjuwSa4hW\\_QWT2anYvA10XJfQYaAiZOEALw\\_wcB#](https://www.katom.com/085-ES604.html?gclid=Cj0KCQiAsvTxBRDkARIsAH4W_j9_31Gp7Z5Ch99q6P0voWgKgx a5pTjuwSa4hW_QWT2anYvA10XJfQYaAiZOEALw_wcB#), retrieved Feb. 7, 2020, pp. 1-2.

Wikihow website, <https://www.wikihow.com/Use-an-Egg-Poacher>, retrieved Feb. 7, 2020, pp. 1-3.

Independent UK website, <https://www.independent.co.uk/extras/indybest/10-best-egg-poachers-a6685841.html>, retrieved Feb. 7, 2020, pp. 1-14.

Worthpoint website, <https://www.worthpoint.com/worthopedia/saladmaster-7815e-electric-skillet-13780406>, retrieved Feb. 7, 2020, pp. 1-20.

\* cited by examiner

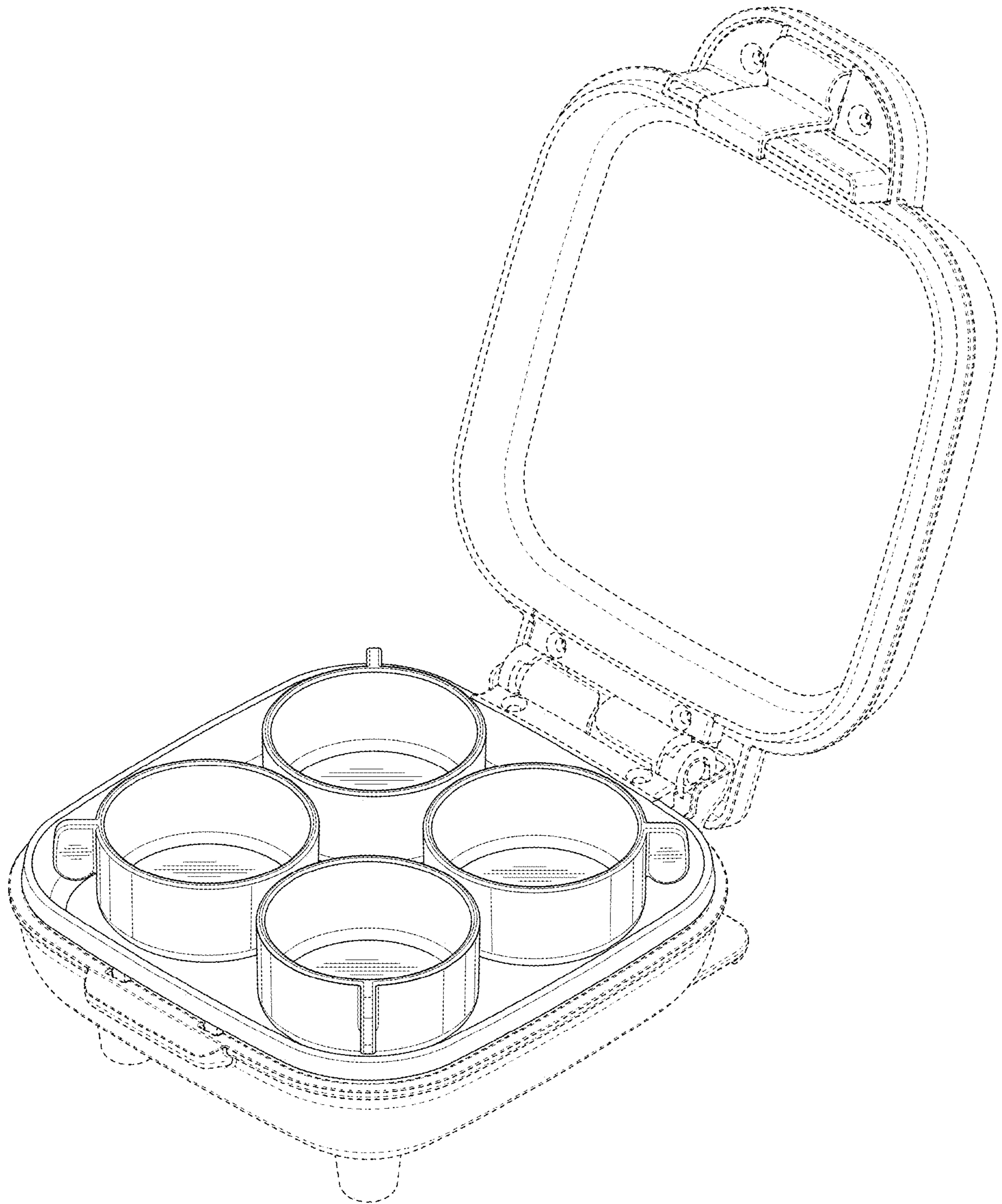


FIG. 1

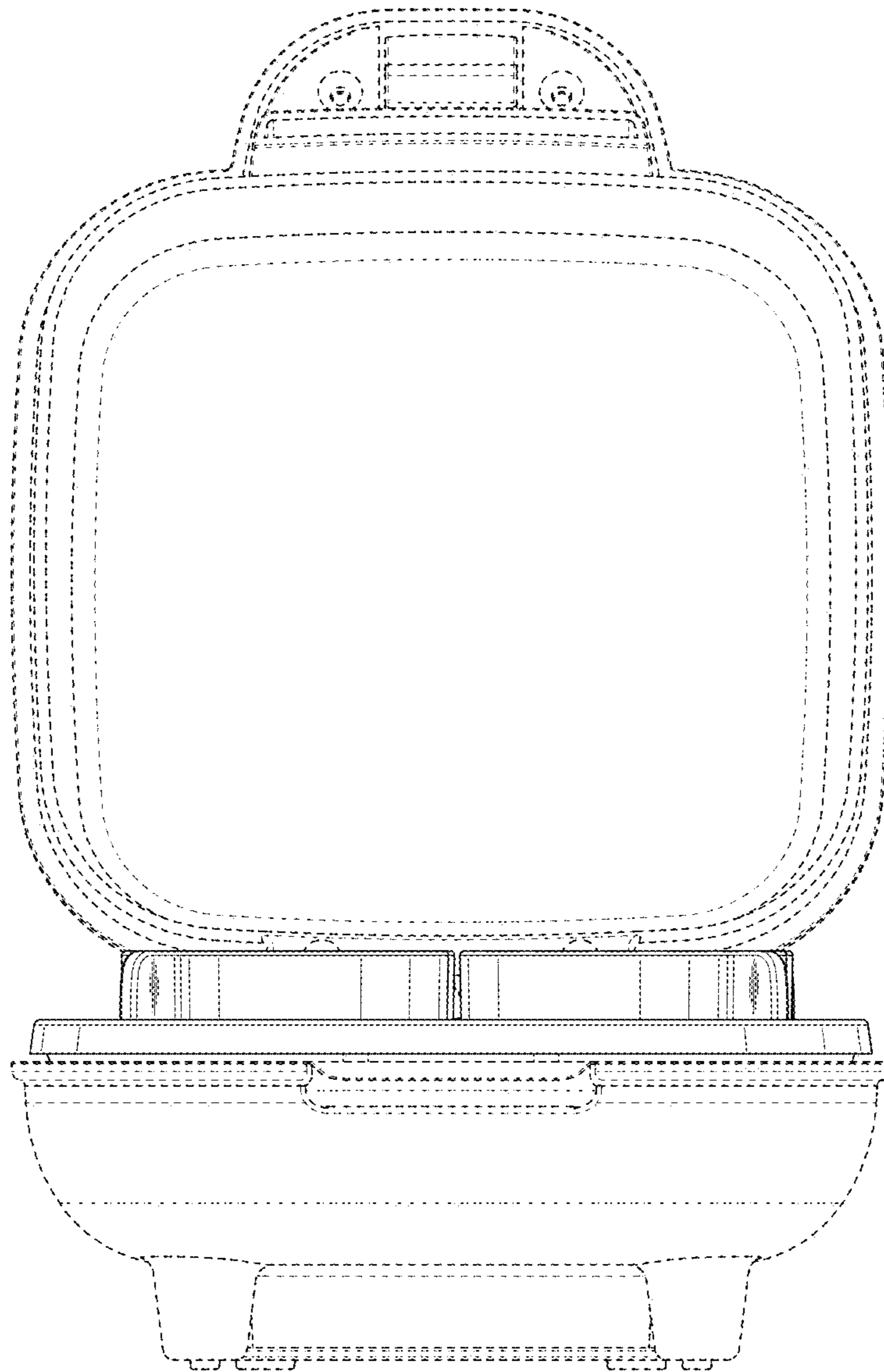


FIG. 2

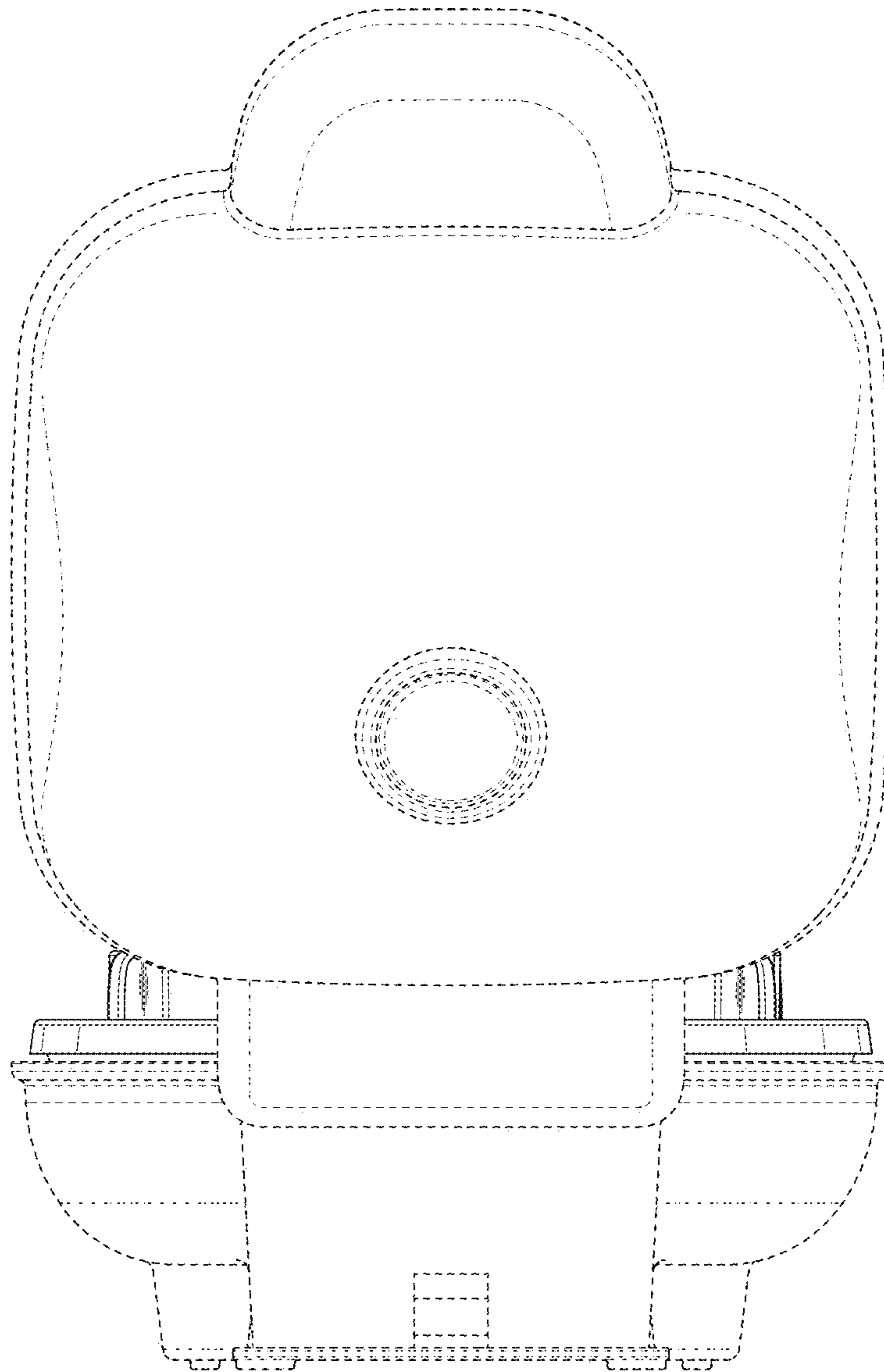


FIG. 3

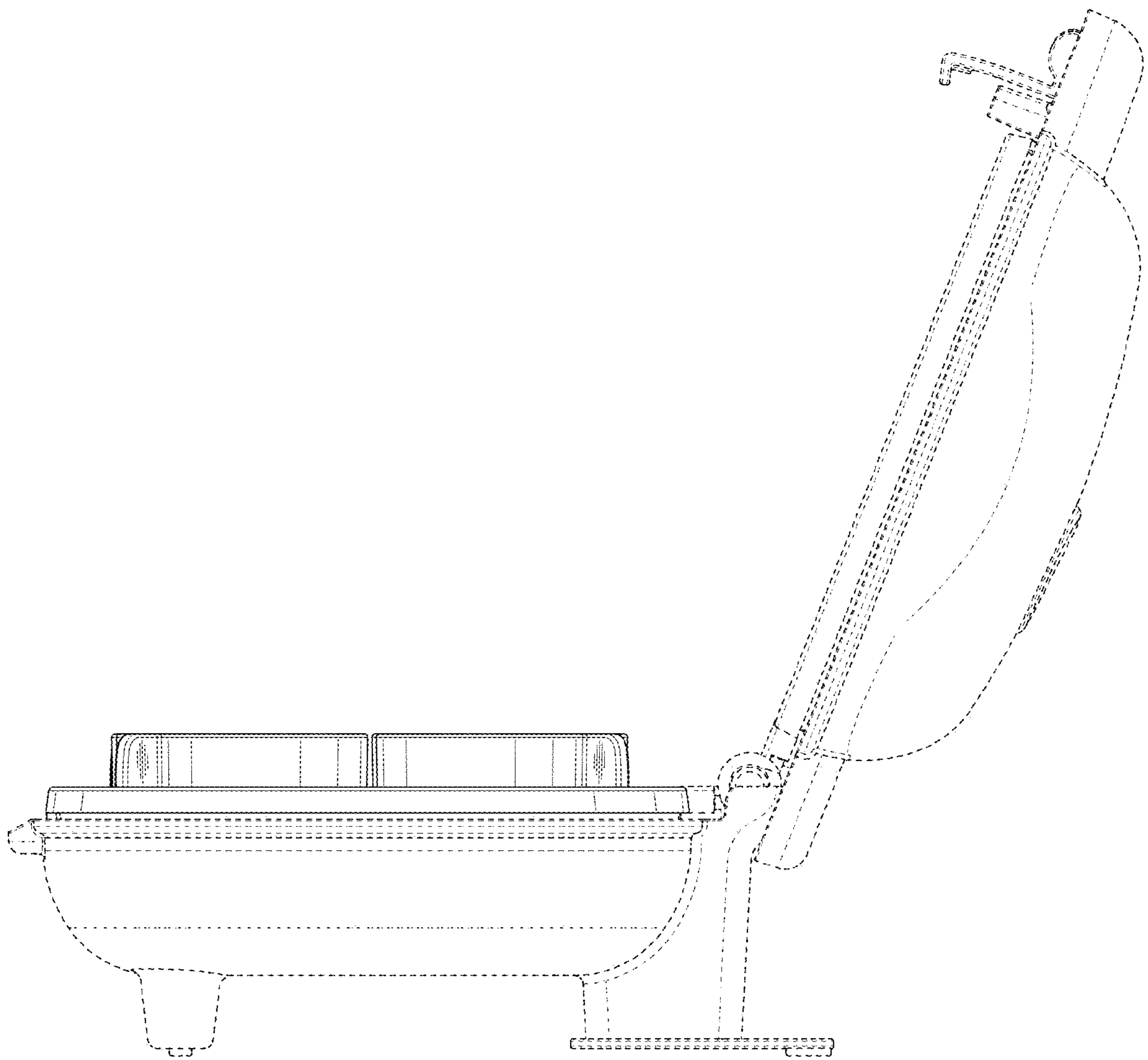


FIG. 4

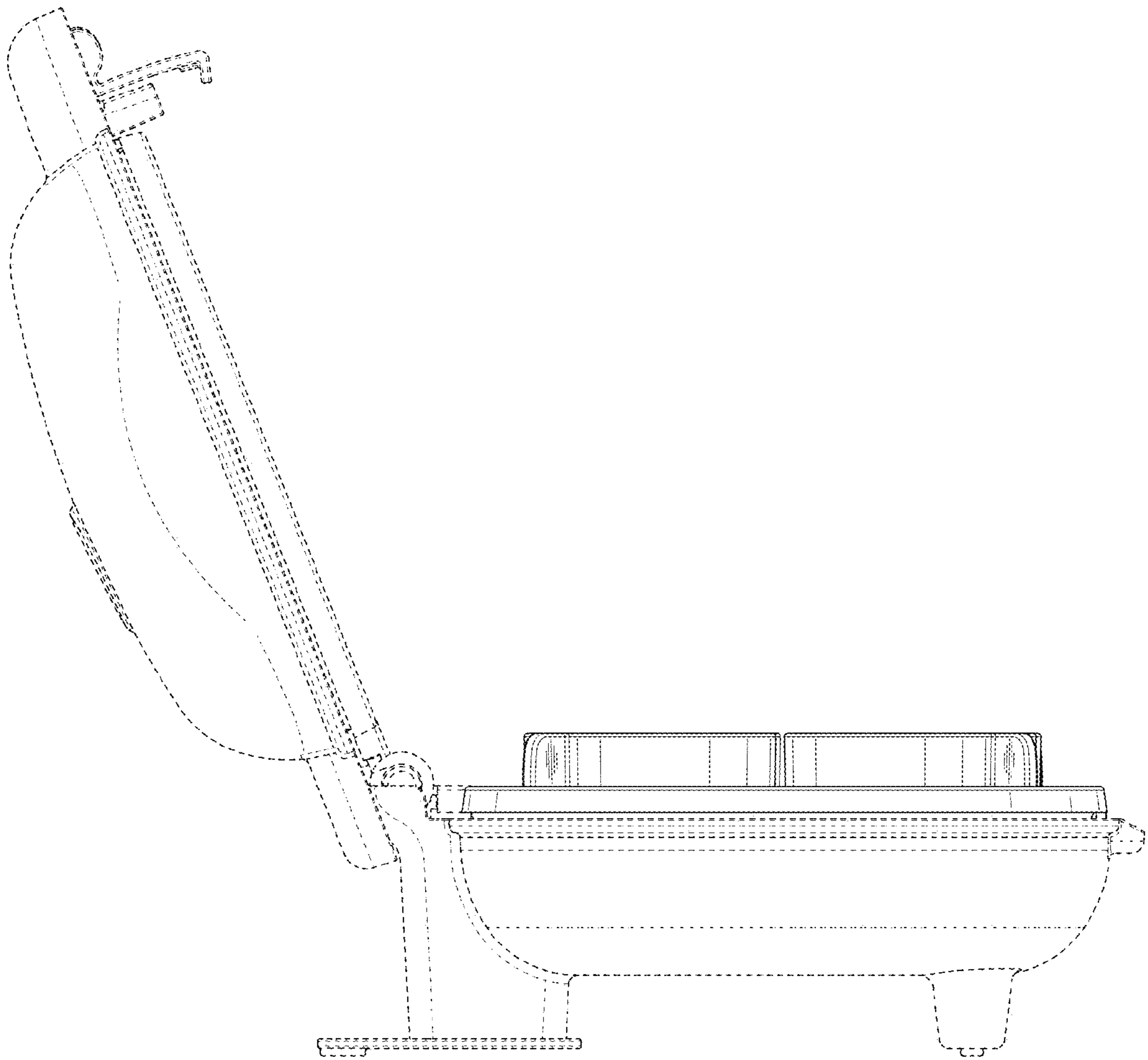


FIG. 5

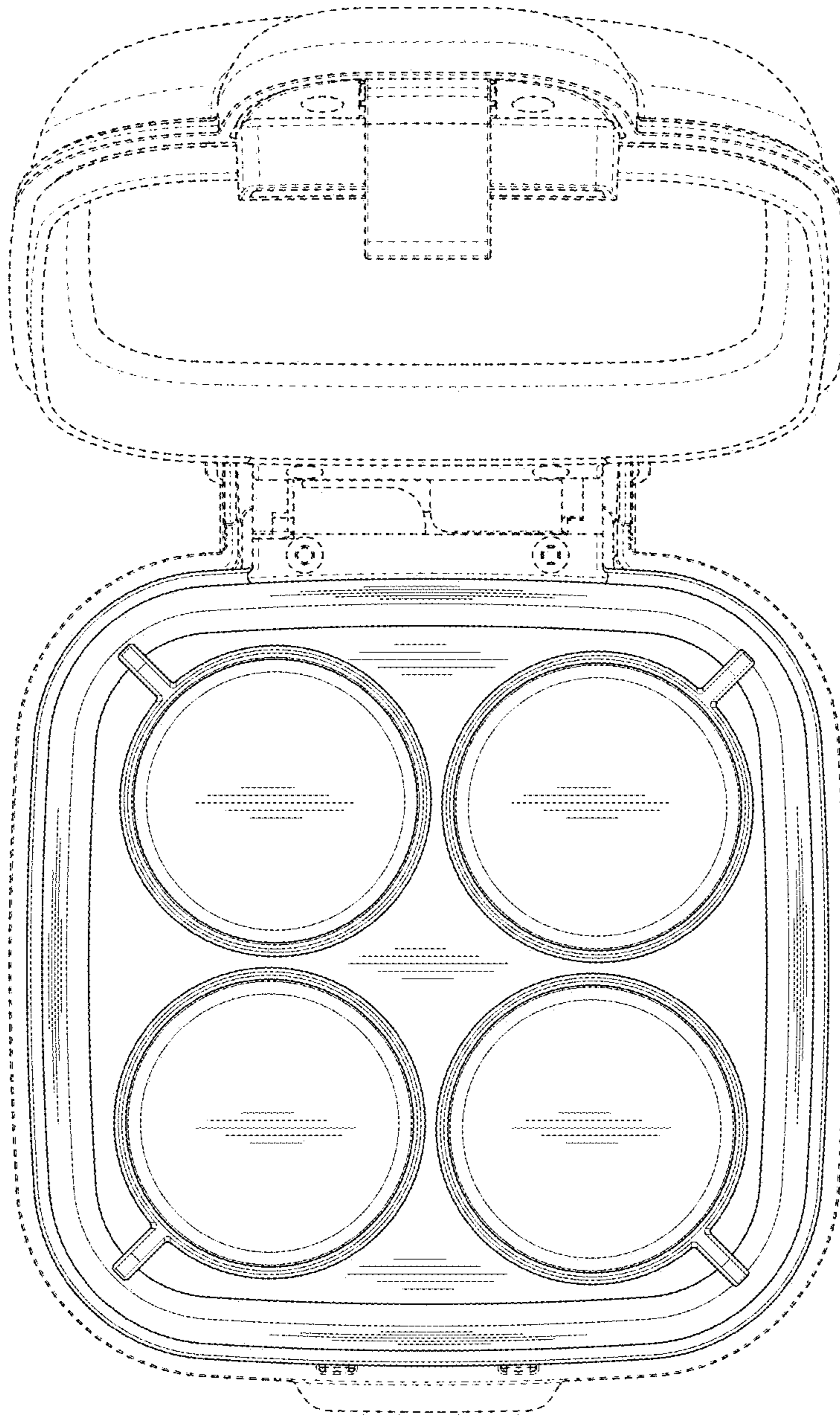


FIG. 6



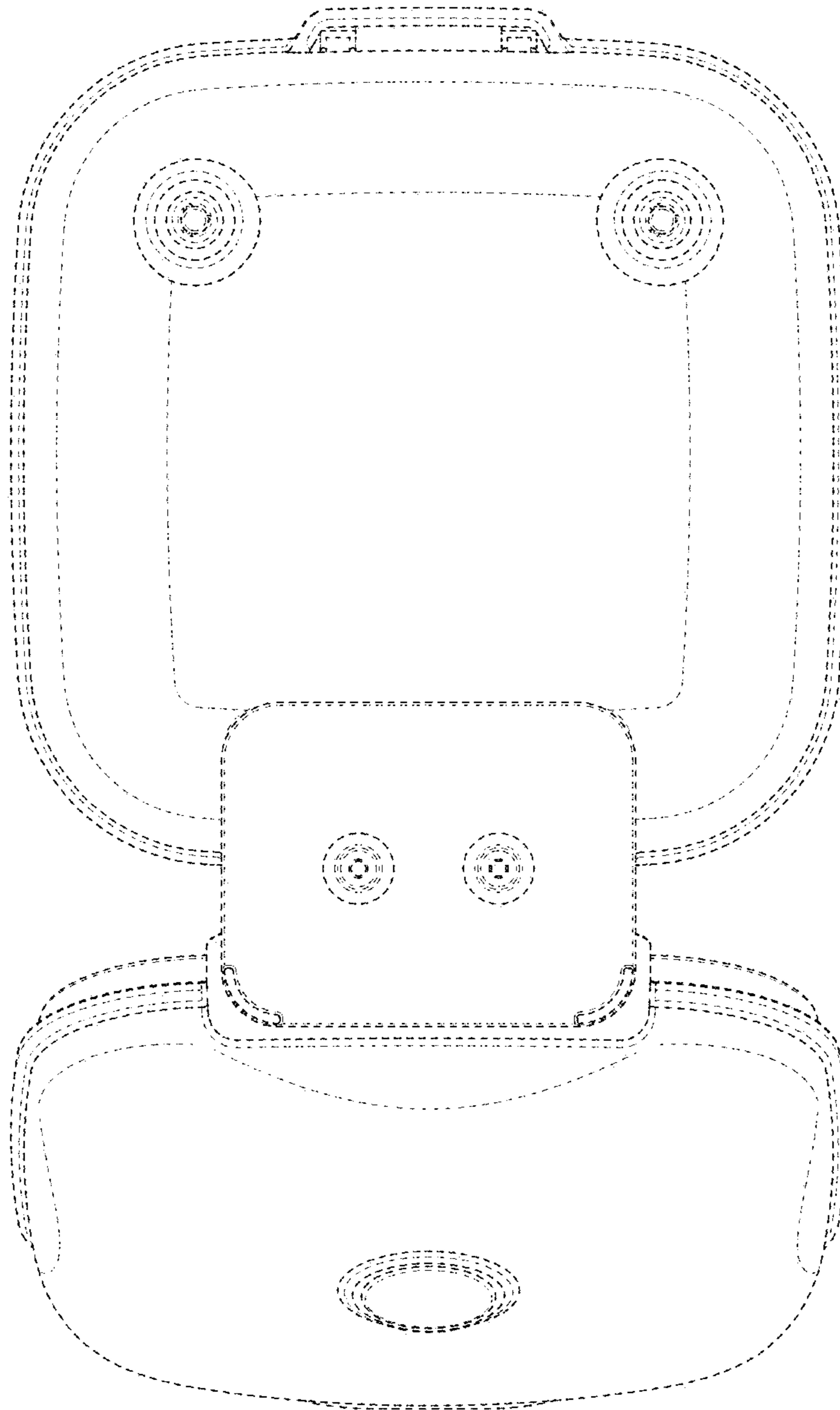


FIG. 7