



US00D965375S

(12) **United States Design Patent**
Chen

(10) **Patent No.:** **US D965,375 S**

(45) **Date of Patent:** **** Oct. 4, 2022**

- (54) **OVEN**
- (71) Applicant: **Dongguan HaoHong Outdoor Products Technology Co., Ltd**, Dongguan (CN)
- (72) Inventor: **Jianlin Chen**, Dongguan (CN)
- (73) Assignee: **Dongguan HaoHong Outdoor Products Technology Co., Ltd**, Dongguan (CN)
- (**) Term: **15 Years**
- (21) Appl. No.: **29/761,633**
- (22) Filed: **Dec. 10, 2020**
- (51) **LOC (13) Cl.** **07-02**
- (52) **U.S. Cl.**
USPC **D7/337**
- (58) **Field of Classification Search**
USPC D7/323, 328-330, 332-351, 354, 358, D7/360, 361, 372, 373, 378, 386, 387, D7/393, 400, 402, 405-409, 509, 511, D7/533, 534, 536, 601, 602, 629, 679, D7/700; D23/332, 343
CPC A47J 27/00; A47J 27/004; A47J 27/08; A47J 27/086; A47J 27/09; A47J 27/21; A47J 33/00; A47J 36/26; A47J 37/06; A47J 37/0623; A47J 37/0647; A47J 37/0652; A47J 37/0658; A47J 37/07; A47J 37/0704; A47J 37/0713; A47J 37/0763; A47J 37/101; A47J 37/108; A47J 43/00; A47J 47/00; F24C 1/16; F24C 3/00; F24C 3/002; F24C 3/008; F24C 3/022; F24C 3/027; F24C 3/08; F24C 3/082; F24C 3/085; F24C 3/14; F24C 15/10; F24C 15/12; F24C 15/36
See application file for complete search history.

- D361,693 S * 8/1995 Burke D7/332
- 5,918,536 A * 7/1999 Cheng A47J 37/0718 99/450
- D547,111 S * 7/2007 Loyd D7/348
- D646,121 S * 10/2011 Pickard D7/334
- D722,813 S * 2/2015 Chung D7/337
- D796,250 S * 9/2017 Chung D7/337
- D847,441 S * 4/2019 Landry A47J 37/0704 D30/131

(Continued)

FOREIGN PATENT DOCUMENTS

EM 007134218-0001 * 10/2019

OTHER PUBLICATIONS

Dickinson 100-SBQS Barbeque Small Propane, Seattle Marine and Fishing Supply Co., [online], [site visited Mar. 10, 2022], Available from internet URL: <https://www.seamar.com/item/DKN00-SBQS/BARBECUE-SMALL-PROPANE/> (Year: 2022).*

Primary Examiner — Mary Ann Calabrese
Assistant Examiner — Natalya M Rapundalo

(57) **CLAIM**

The ornamental design for an oven, as shown and described.

DESCRIPTION

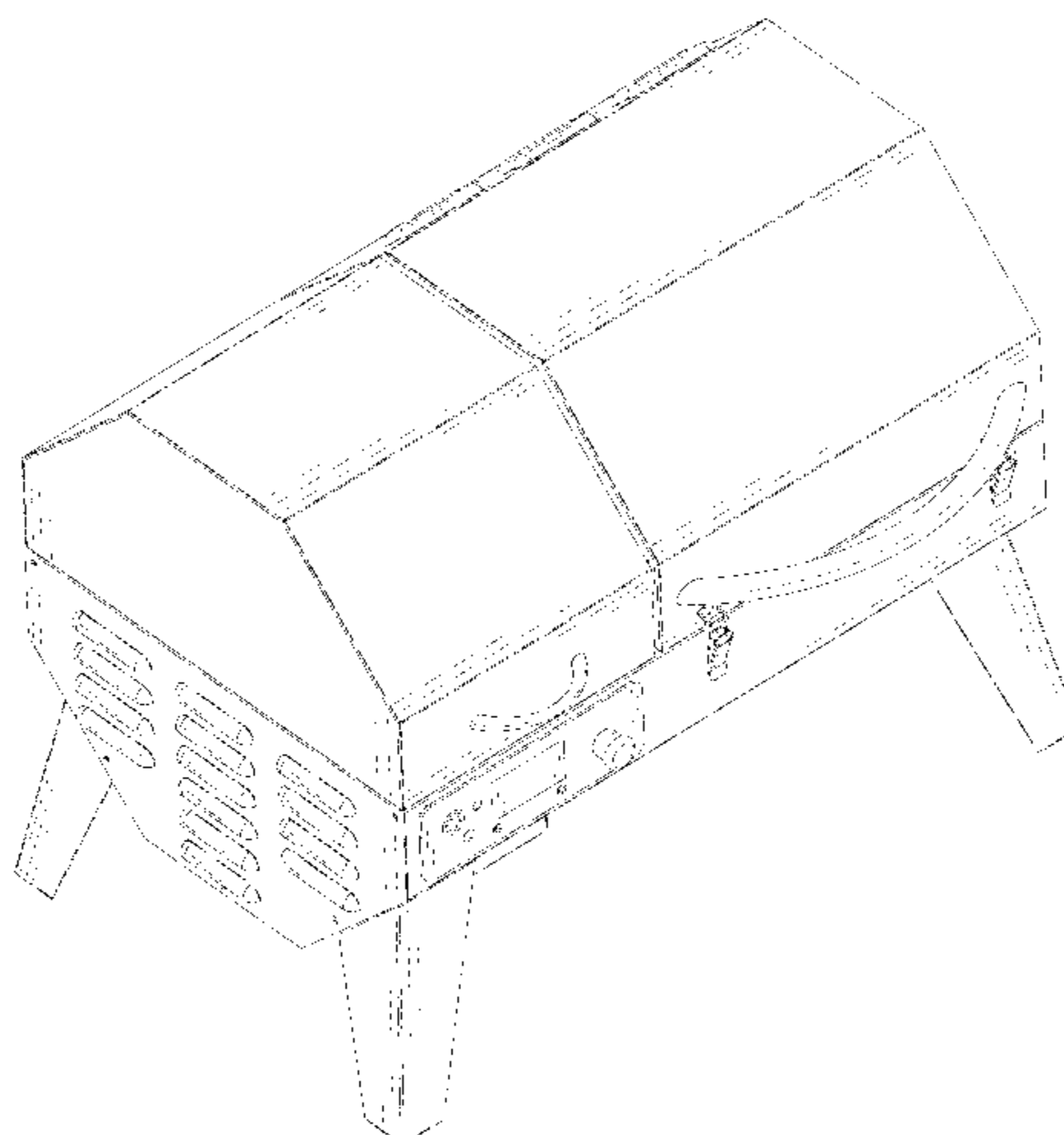
FIG. 1 is a perspective view of an oven showing my new design;
FIG. 2 is a front view thereof;
FIG. 3 is a rear view thereof;
FIG. 4 is a left side view thereof;
FIG. 5 is a right side view thereof;
FIG. 6 is a top view thereof; and,
FIG. 7 is a bottom view thereof.
The broken lines in the drawings represent portions of the oven and form no part of the claimed design.

1 Claim, 7 Drawing Sheets

(56) **References Cited**

U.S. PATENT DOCUMENTS

- D302,641 S * 8/1989 Elmburg D7/332
- D339,956 S * 10/1993 George, Jr. D7/334



(56)

References Cited

U.S. PATENT DOCUMENTS

D853,170 S * 7/2019 Magee A47J 37/0718
D7/332
D927,917 S * 8/2021 Yueh D7/334
D942,795 S * 2/2022 Bevins D7/334
2013/0206016 A1* 8/2013 Diaz A47J 37/0704
99/339

* cited by examiner

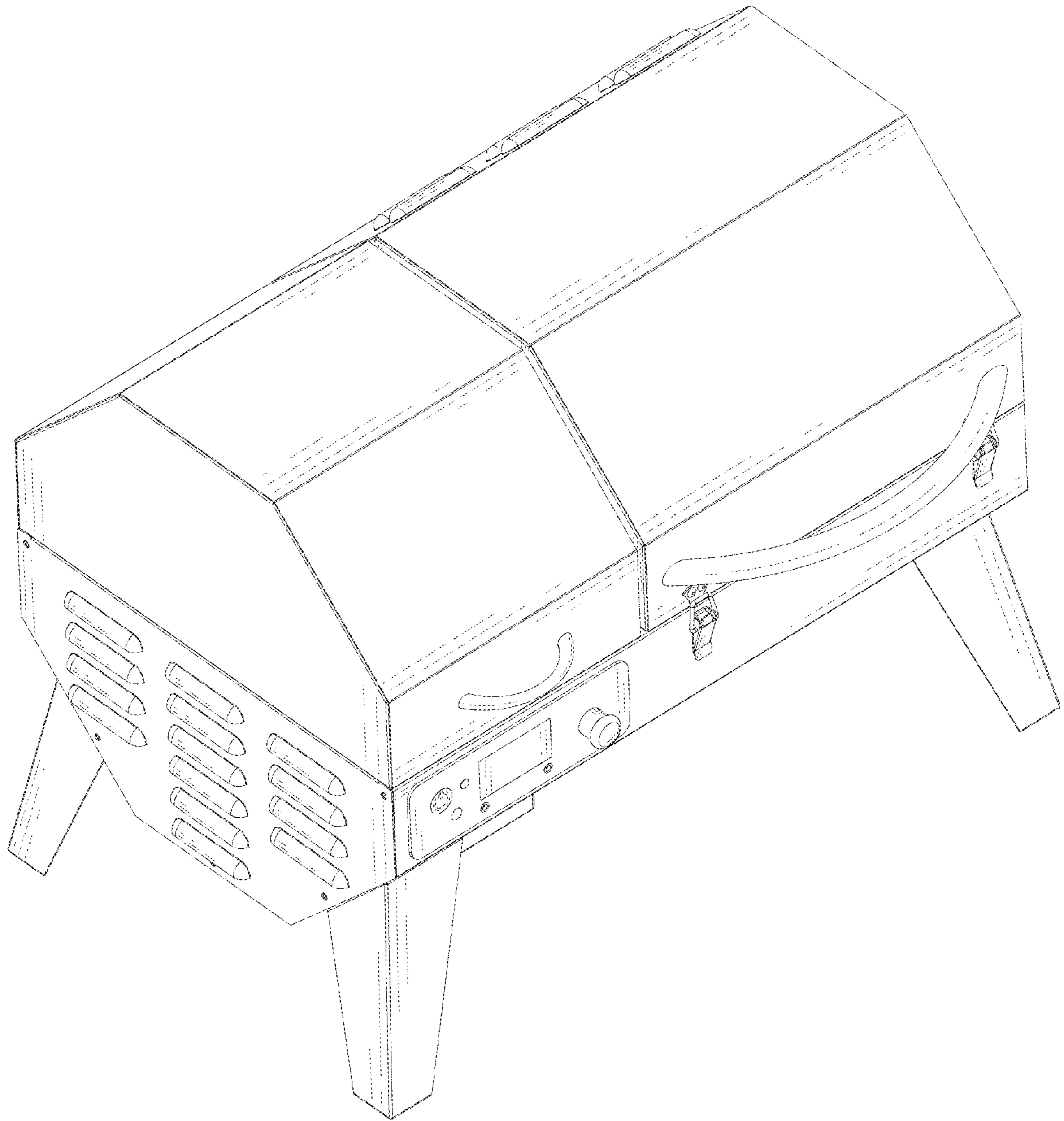


FIG. 1

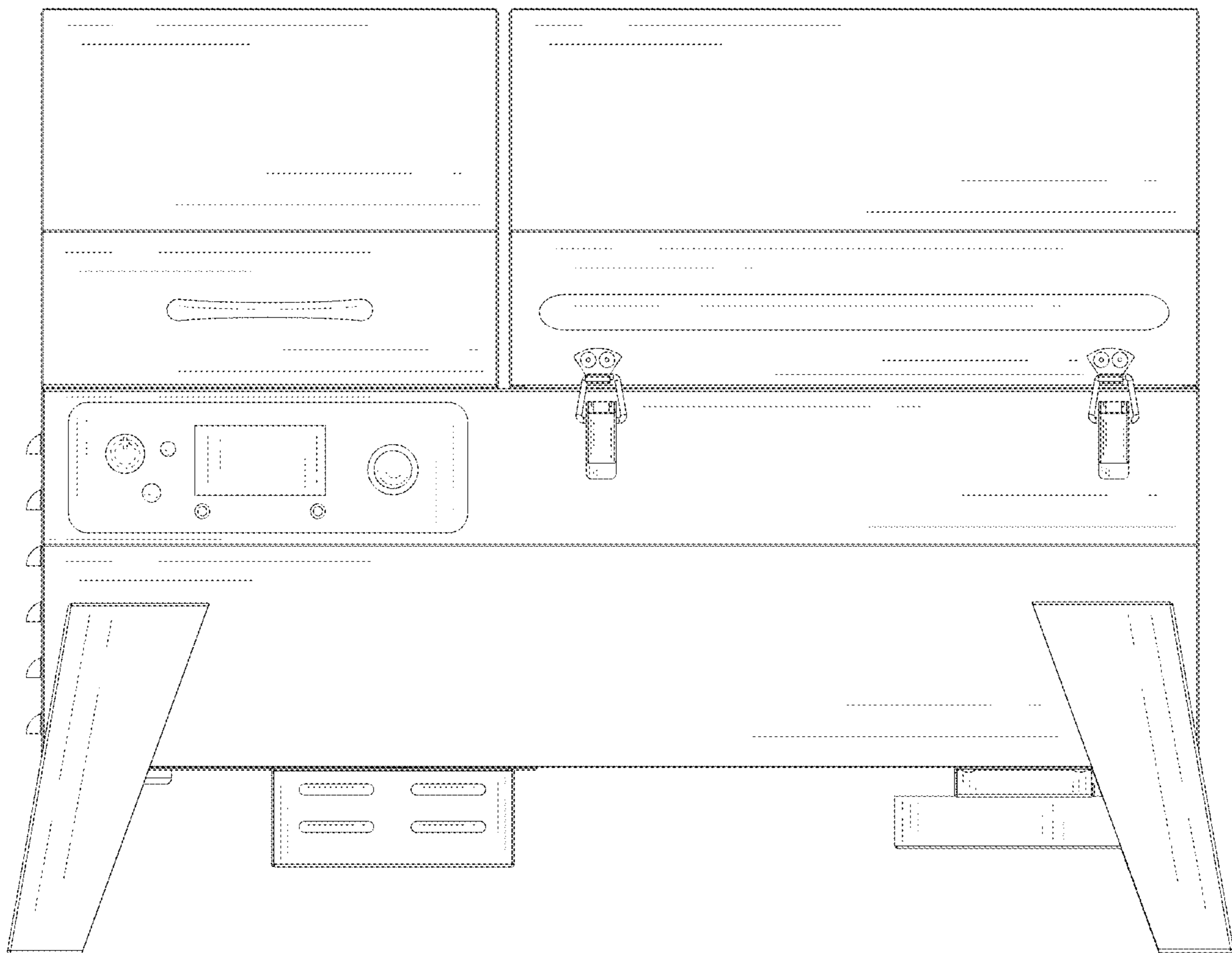


FIG. 2

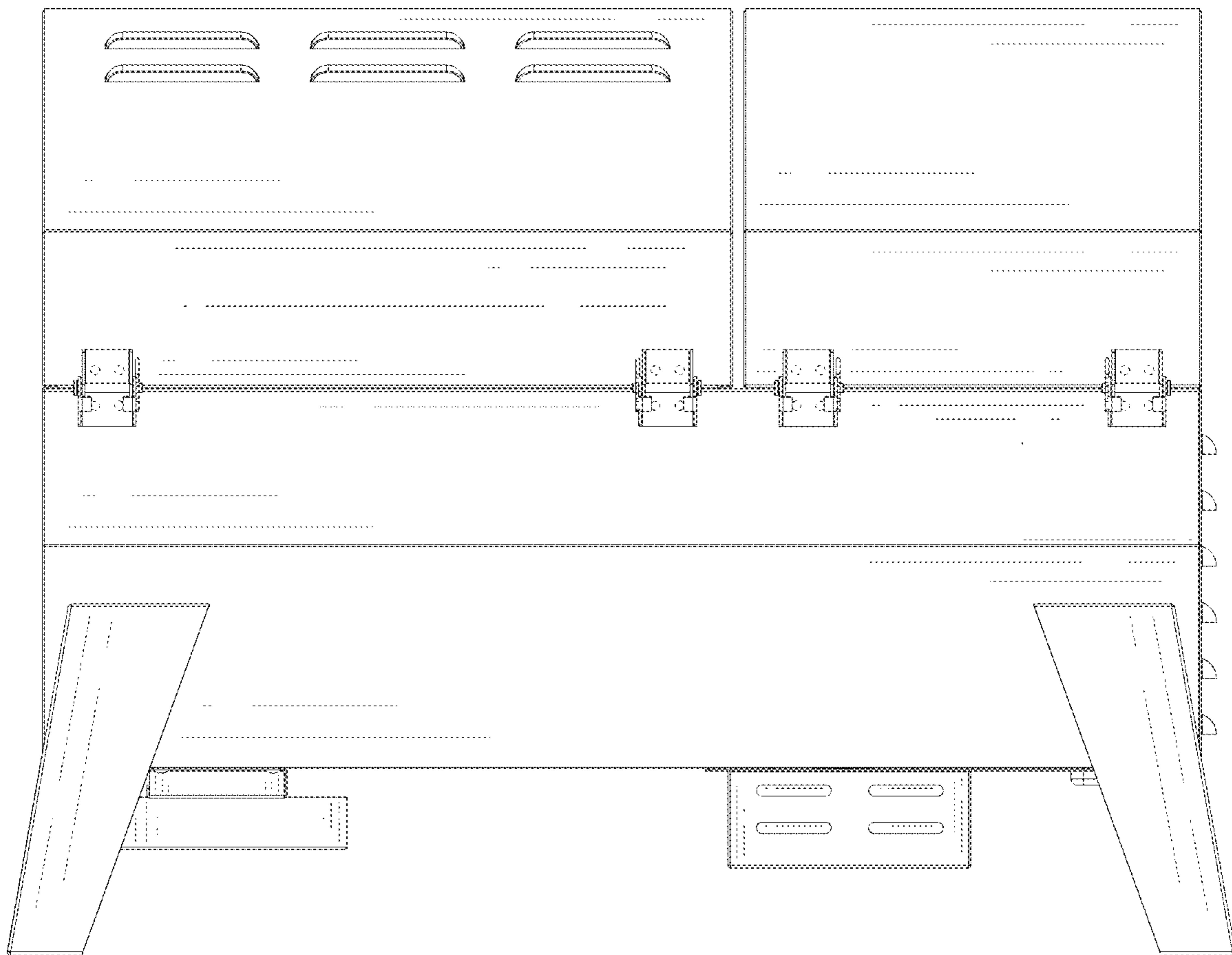


FIG. 3

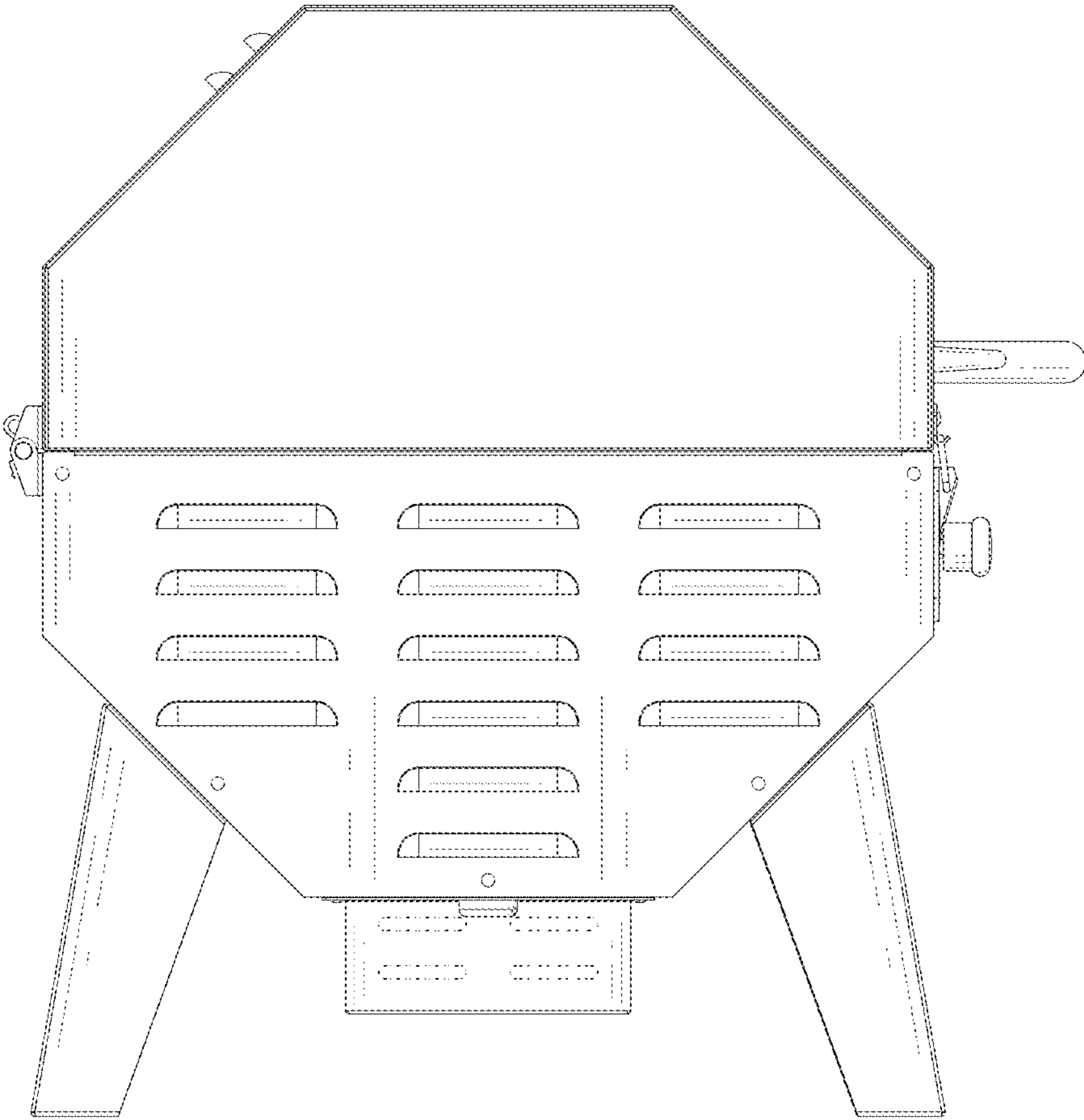


FIG. 4

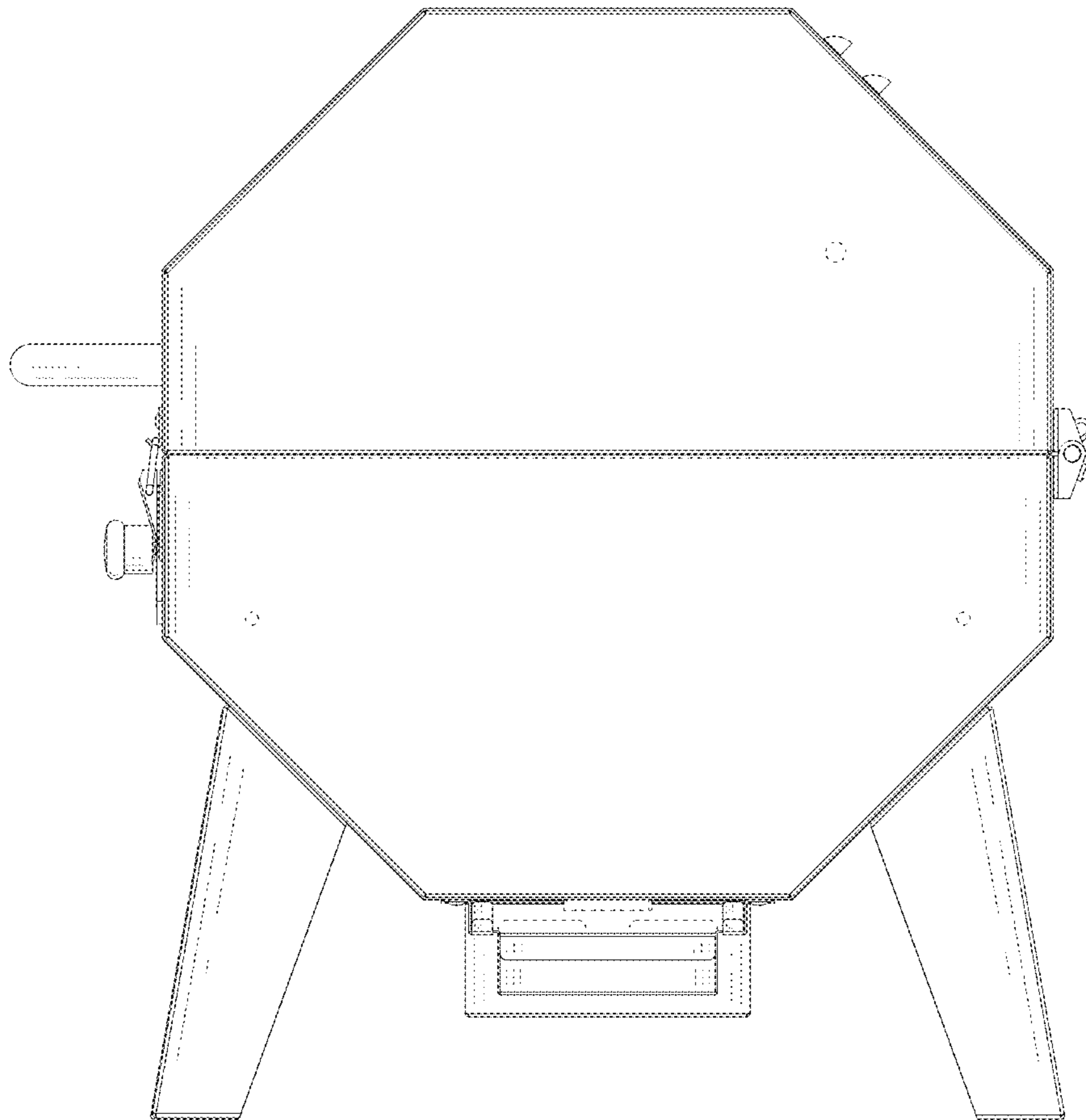


FIG. 5

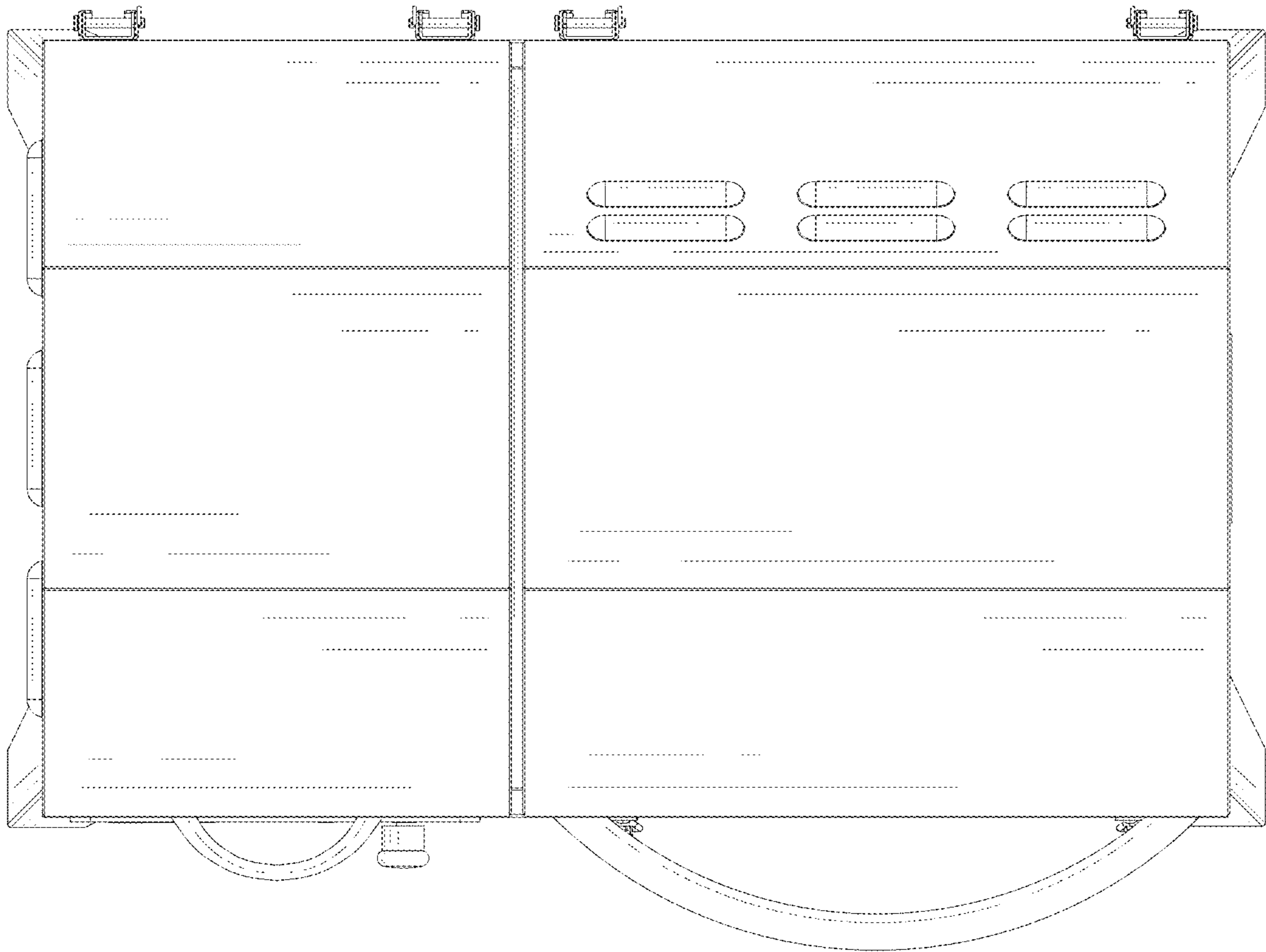


FIG. 6

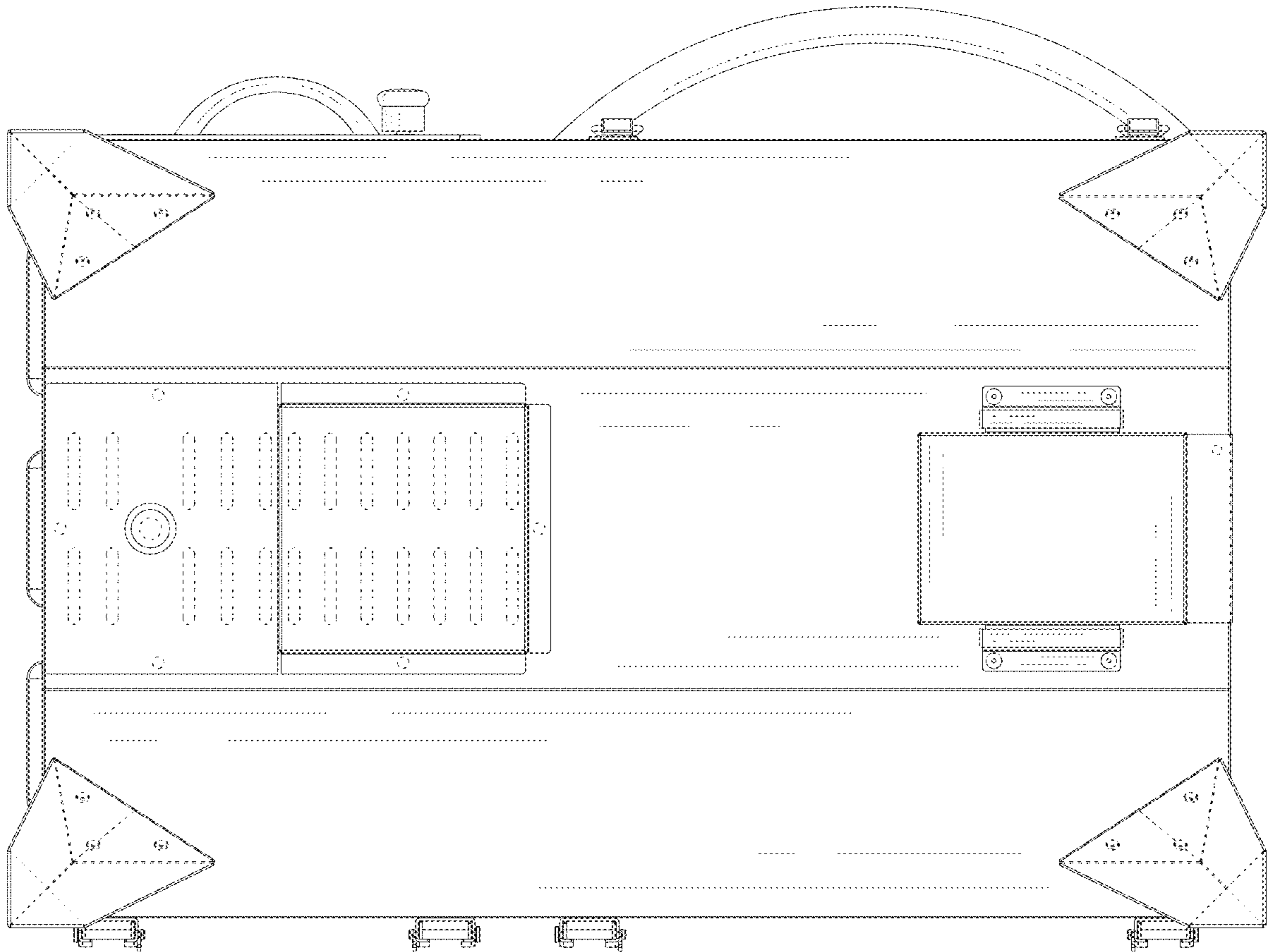


FIG. 7