



US00D965374S

(12) **United States Design Patent**
Chen

(10) **Patent No.:** **US D965,374 S**

(45) **Date of Patent:** **** Oct. 4, 2022**

(54) **OVEN**

(71) Applicant: **Dongguan HaoHong Outdoor Products Technology Co., Ltd,**
Dongguan (CN)

(72) Inventor: **Jianlin Chen,** Dongguan (CN)

(73) Assignee: **Dongguan HaoHong Outdoor Products Technology Co., Ltd,**
Dongguan (CN)

(**) Term: **15 Years**

(21) Appl. No.: **29/761,627**

(22) Filed: **Dec. 10, 2020**

(51) **LOC (13) Cl.** **07-02**

(52) **U.S. Cl.**
USPC **D7/337**

(58) **Field of Classification Search**
USPC D7/323, 328-330, 332-351, 354, 358,
D7/360, 361, 372, 373, 378, 386, 387,
D7/393, 400, 402, 405-409, 509, 511,
D7/533, 534, 536, 601, 602, 629, 679,
D7/700; D23/332, 343
CPC A47J 27/00; A47J 27/004; A47J 27/08;
A47J 27/086; A47J 27/09; A47J 27/21;
A47J 33/00; A47J 36/26; A47J 37/06;
A47J 37/0623; A47J 37/0647; A47J
37/0652; A47J 37/0658; A47J 37/07;
A47J 37/0704; A47J 37/0713; A47J
37/0763; A47J 37/101; A47J 37/108;
A47J 43/00; A47J 47/00; F24C 1/16;
F24C 3/00; F24C 3/002; F24C 3/008;
F24C 3/022; F24C 3/027; F24C 3/08;
F24C 3/082; F24C 3/085; F24C 3/14;
F24C 15/10; F24C 15/12; F24C 15/36
See application file for complete search history.

(56) **References Cited**

U.S. PATENT DOCUMENTS

D302,641 S *	8/1989	Elmburg	D7/332
D361,693 S *	8/1995	Burke	D7/332
D430,772 S *	9/2000	Ganard	D7/334
D547,111 S *	7/2007	Loyd	D7/348
D571,606 S *	6/2008	Pai	D7/337
D611,292 S *	3/2010	Chung	D7/337
D680,794 S *	4/2013	Chung	D7/332
D722,813 S *	2/2015	Chung	A47J 37/0704 D7/337
D723,860 S *	3/2015	Chung	A47J 37/0731 D7/334
D796,250 S *	9/2017	Chung	D7/337

(Continued)

OTHER PUBLICATIONS

Napoleon PTSS215PI 26 Inch Portable Gas Grill, AJ Madison, [online], [site visited Mar. 10, 2022], Available from internet URL: <https://www.ajmadison.com/cgi-bin/ajmadison/PTSS215PI.html> (Year: 2022).*

(Continued)

Primary Examiner — Mary Ann Calabrese
Assistant Examiner — Natalya M Rapundalo

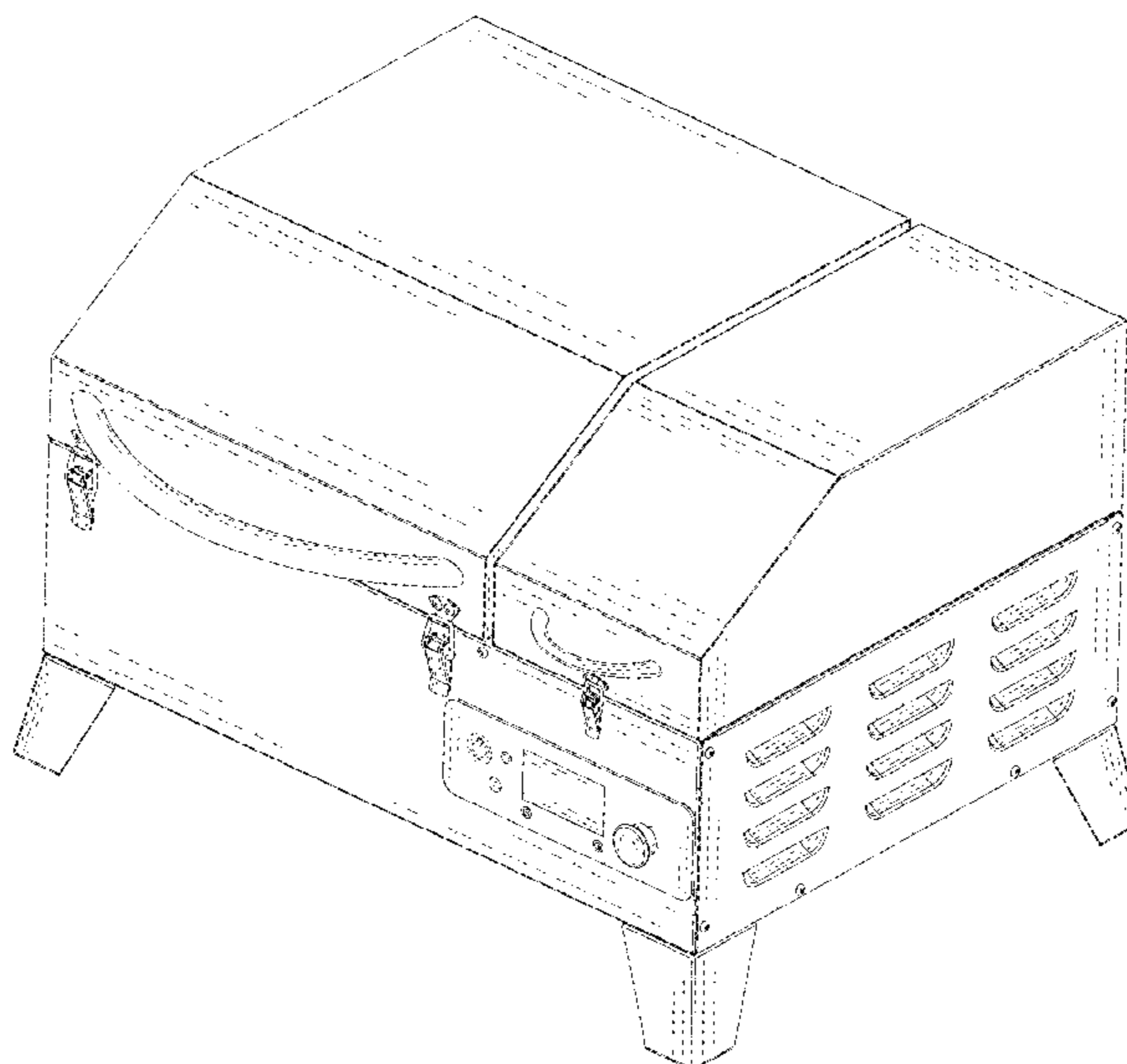
(57) **CLAIM**

The ornamental design for an oven, as shown and described.

DESCRIPTION

FIG. 1 is a perspective view of an oven showing my new design;
FIG. 2 is a front view thereof;
FIG. 3 is a rear view thereof;
FIG. 4 is a left side view thereof;
FIG. 5 is a right side view thereof;
FIG. 6 is a top view thereof; and,
FIG. 7 is a bottom view thereof.
The broken lines in the drawings represent portions of the oven and form no part of the claimed design.

1 Claim, 7 Drawing Sheets



(56)

References Cited

U.S. PATENT DOCUMENTS

2005/0081721 A1* 4/2005 Craycraft A47J 37/0718
99/450
2013/0104745 A1* 5/2013 Stier A47J 37/0731
99/421 R
2013/0206016 A1* 8/2013 Diaz A47J 37/0704
99/339

OTHER PUBLICATIONS

Table Top Pellet Grill, Hh Fire, [online], [site visited Mar. 10, 2022],
Available from internet URL: www.hhfirecorp.com/product-5599-9017-54644.html (Year: 2022).*

* cited by examiner

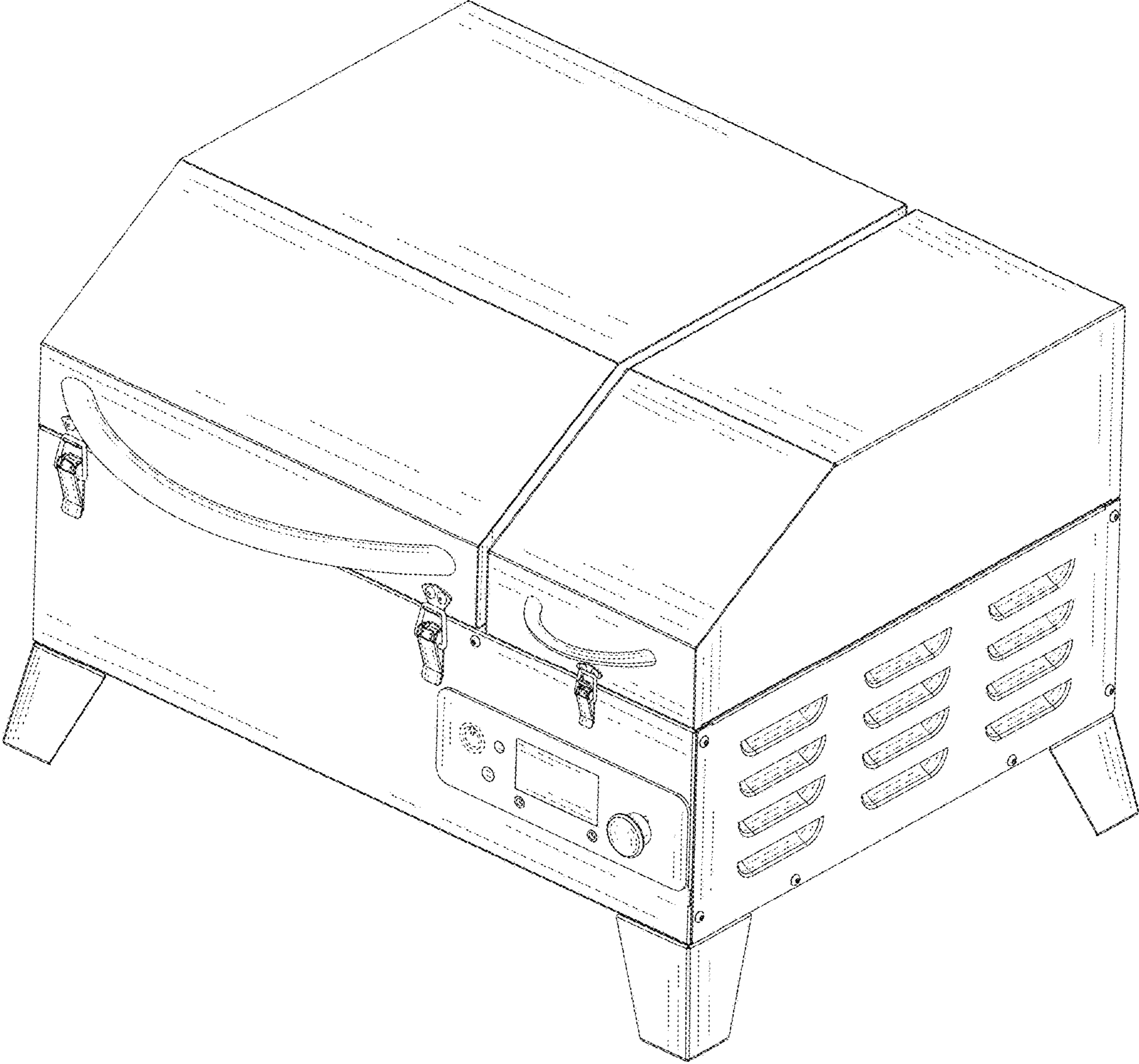


FIG. 1

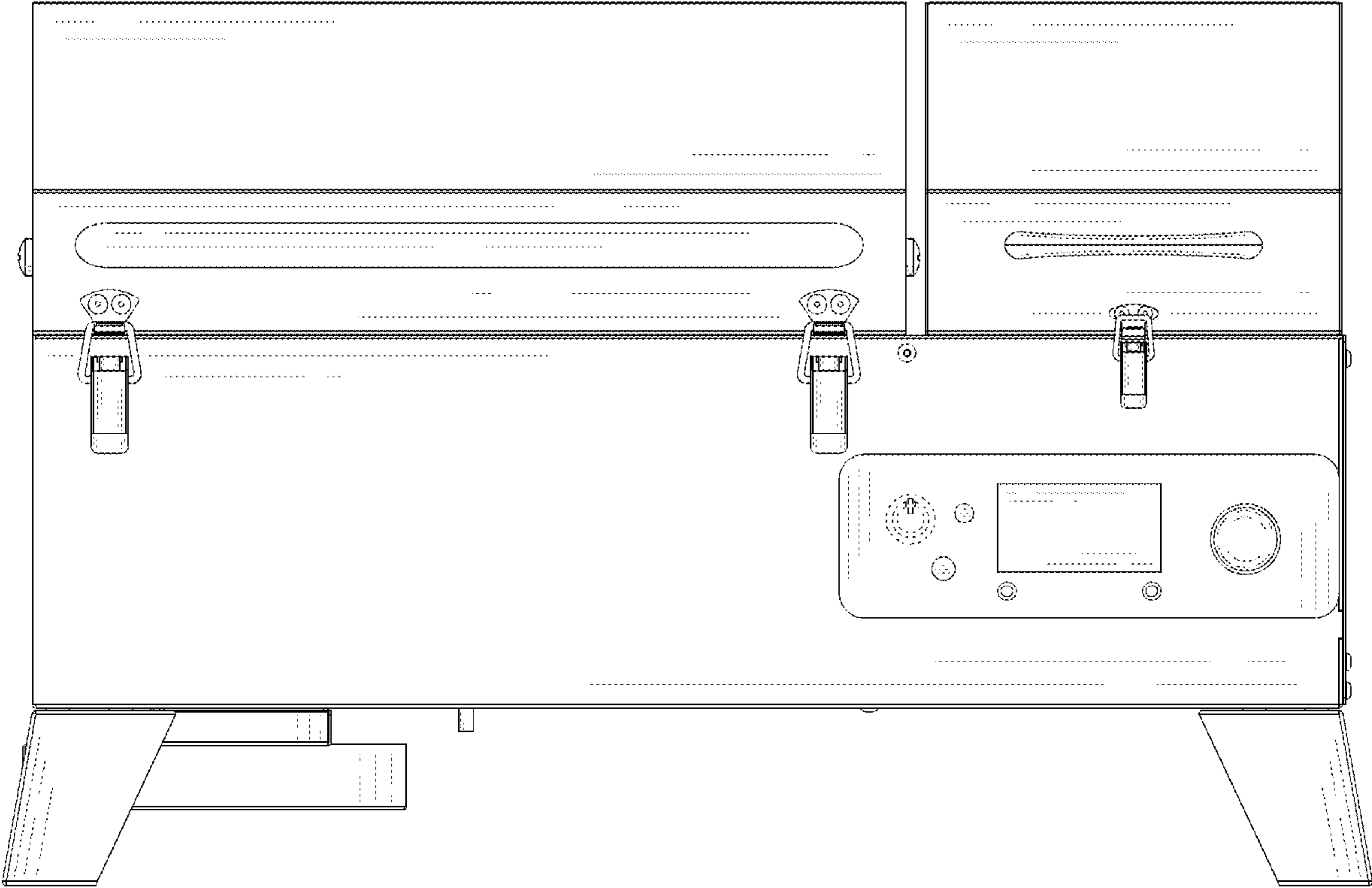


FIG. 2

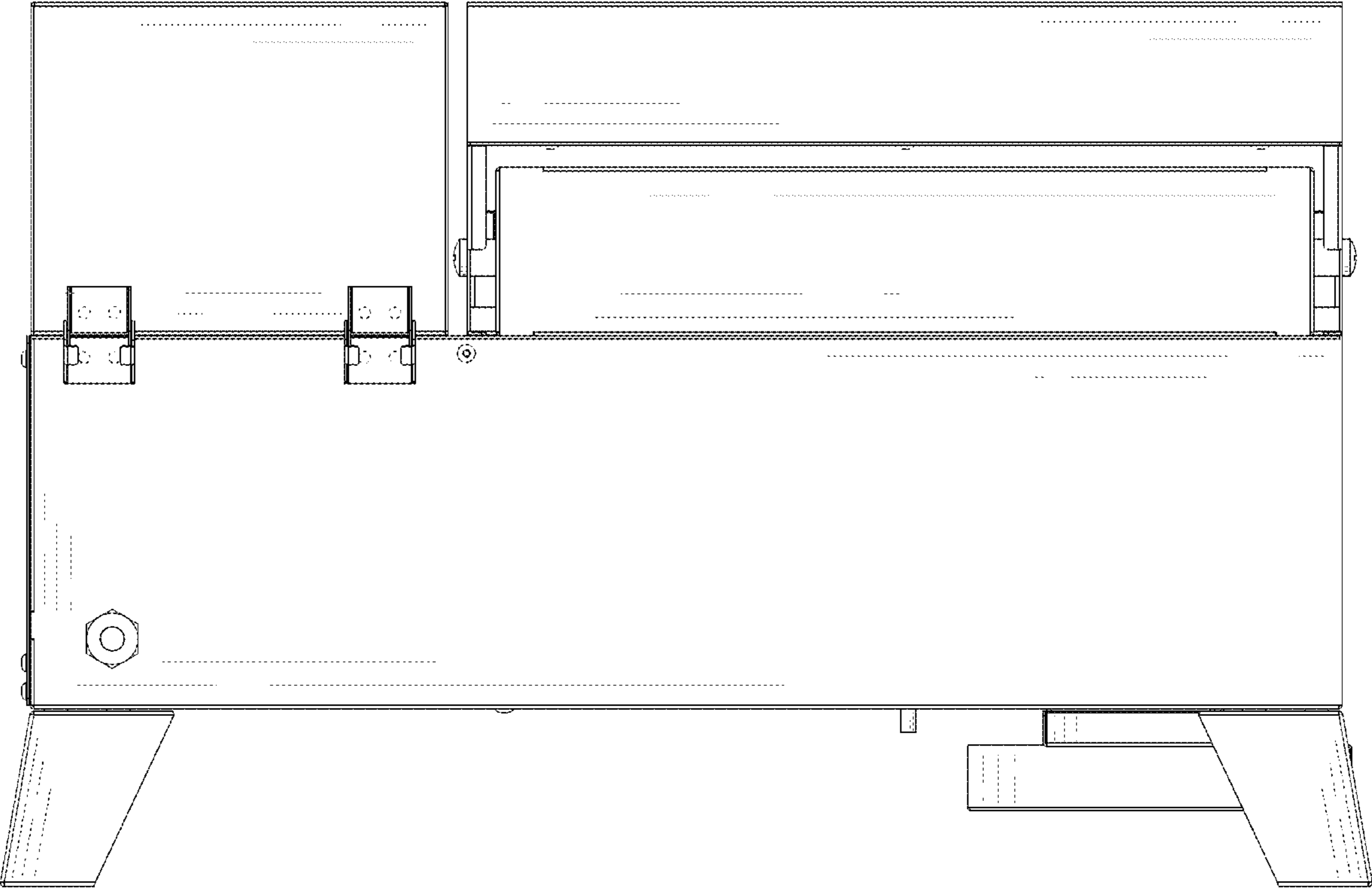


FIG. 3

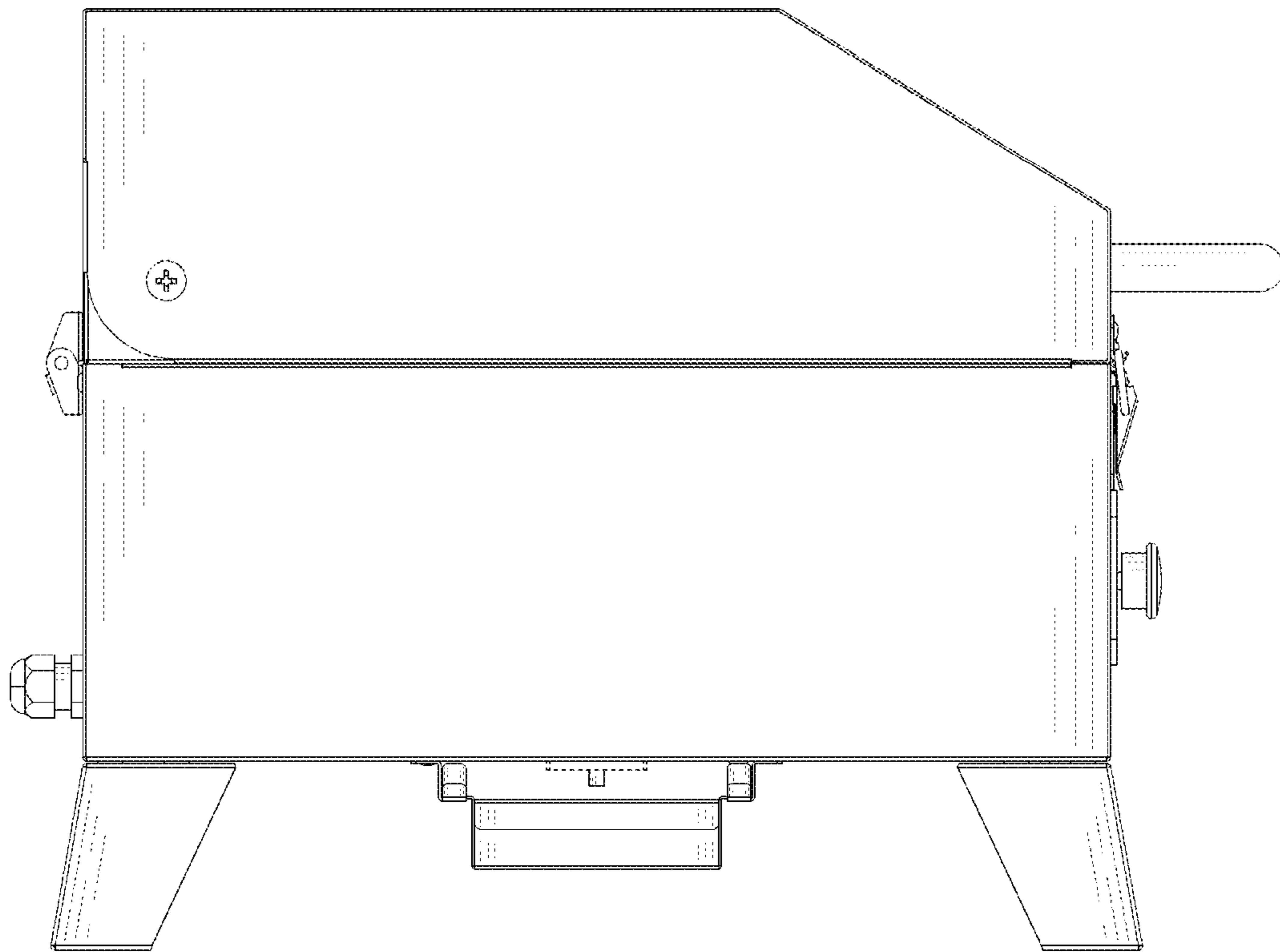


FIG. 4

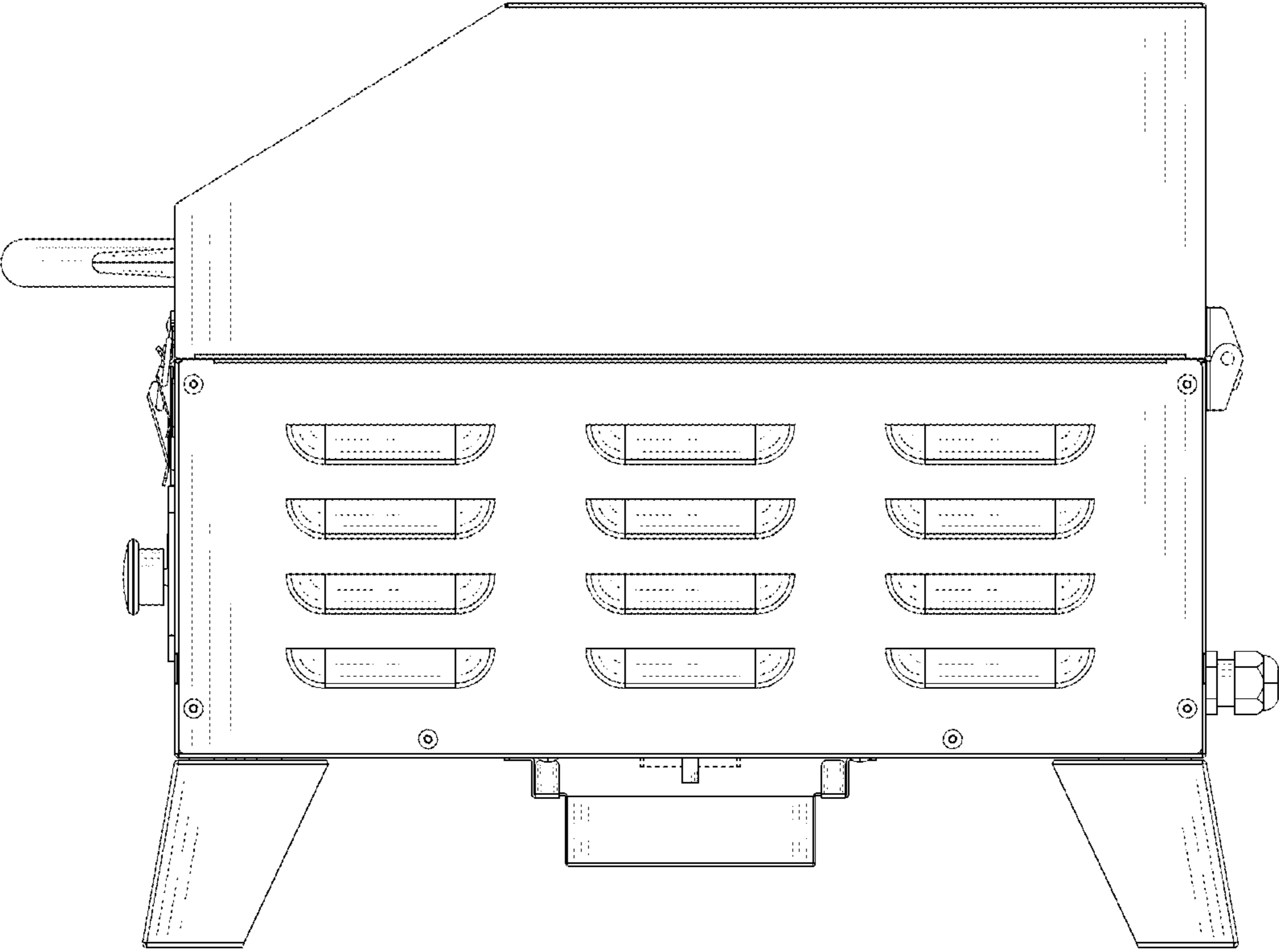


FIG. 5

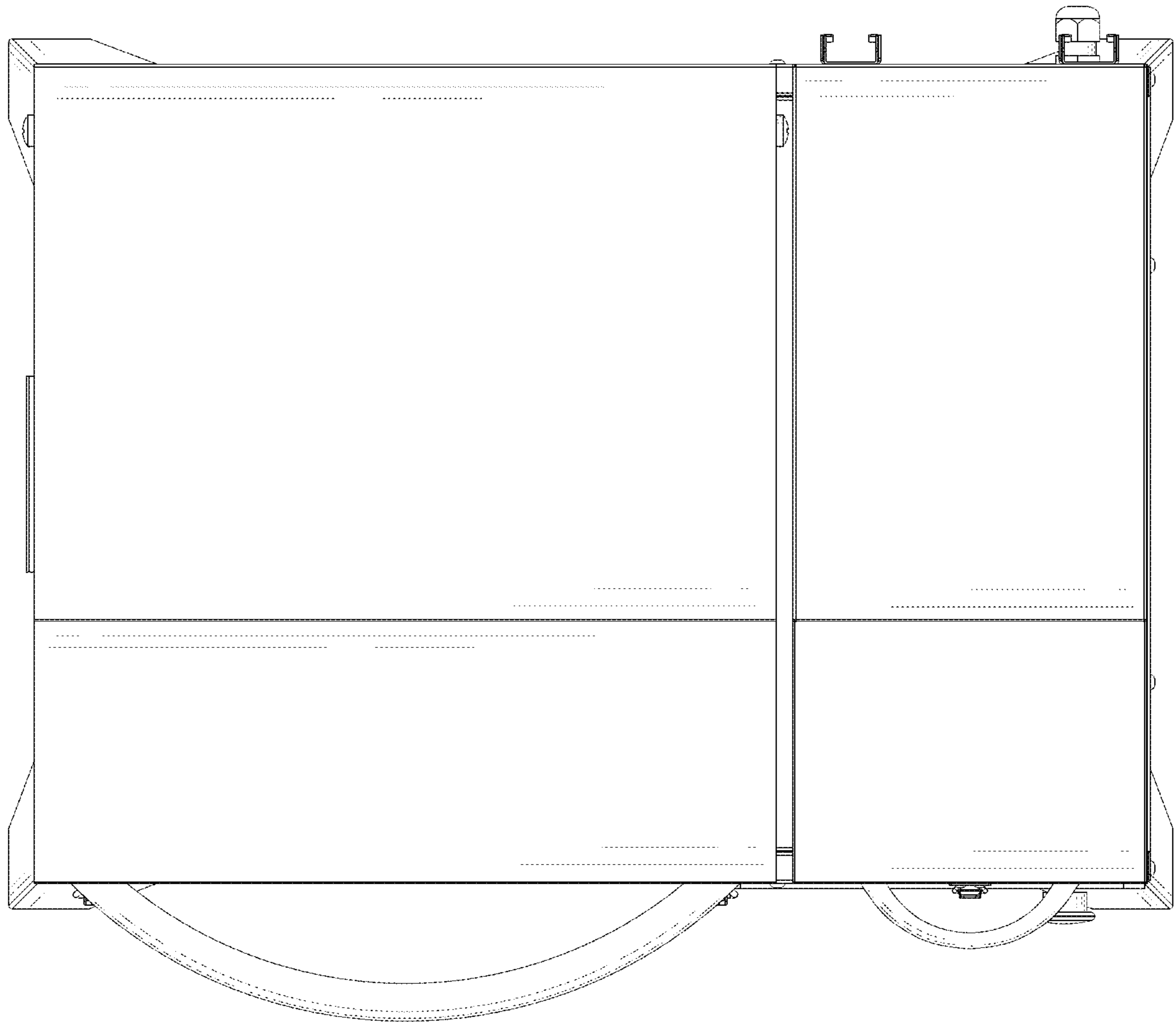


FIG. 6

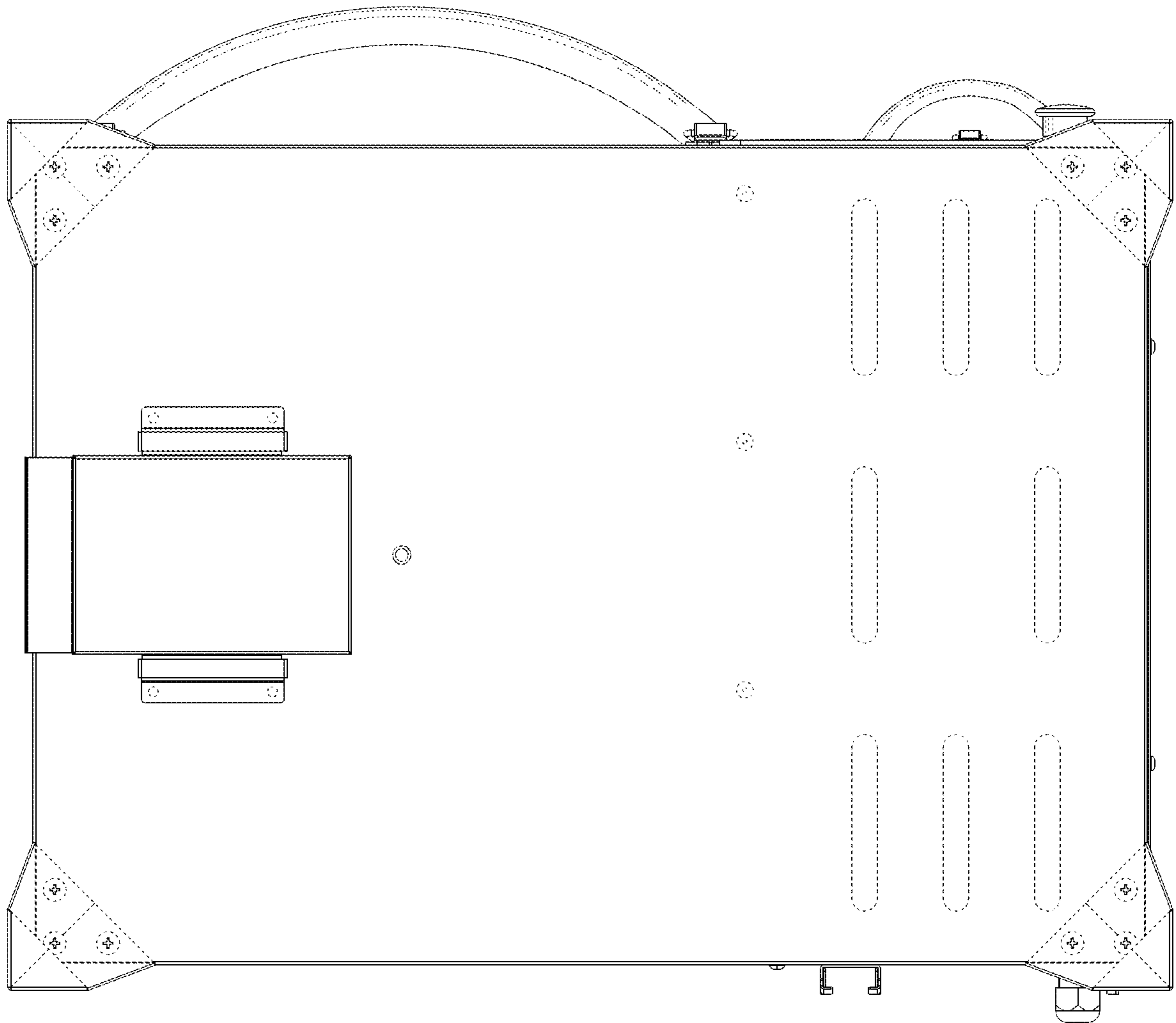


FIG. 7