



US00D965373S

(12) **United States Design Patent** (10) **Patent No.:** **US D965,373 S**
Stoltzfus (45) **Date of Patent:** **** Oct. 4, 2022**

(54) **KETTLE HOOK FOR FIRE PIT**
(71) Applicant: **Breeo, LLC**, Kinzers, PA (US)
(72) Inventor: **Amos A. Stoltzfus**, Gordonville, PA (US)
(73) Assignee: **Breeo, LLC**, Kinzers, PA (US)
(**) Term: **15 Years**
(21) Appl. No.: **29/707,427**

(22) Filed: **Sep. 27, 2019**
(51) **LOC (13) Cl.** **07-02**
(52) **U.S. Cl.**
USPC **D7/336**
(58) **Field of Classification Search**
USPC D23/332, 341, 347, 343, 386; D7/332,
D7/335, 336, 409; D8/363, 380, 381
CPC .. A47J 33/00; A47J 33/07; A47J 36/34; A47J
37/0772; A47J 37/0786; A47J 2037/0795;
F24B 1/182; F24B 1/183; F24C 15/107
See application file for complete search history.

(56) **References Cited**

U.S. PATENT DOCUMENTS

2,523,200 A * 9/1950 Durst, Jr. A47J 37/0772
126/30
2,604,884 A * 7/1952 Walker A47J 37/0772
126/30
D186,487 S 10/1959 Brooks
2,914,283 A * 11/1959 Jorgensen A47J 37/0772
126/30
2,960,979 A * 11/1960 Stone A47J 37/0772
126/30
2,977,953 A * 4/1961 Dowdy A47J 37/0763
126/30
D191,186 S * 8/1961 Maki D7/336
D192,294 S * 2/1962 Klages D21/422
3,111,123 A * 11/1963 Le Fort F24B 1/182
126/506

D204,348 S 4/1966 Shilling
3,458,895 A 8/1969 Miller
D216,158 S * 11/1969 Williams D25/68
D266,482 S * 10/1982 Goldstein D8/381
4,548,193 A 10/1985 Marogil
4,667,651 A 5/1987 Groeneweg
4,732,138 A 3/1988 Vos
4,813,308 A 3/1989 Petrus
4,856,423 A * 8/1989 Burns A47J 33/00
126/30
D315,846 S 4/1991 Hatzenbeller
(Continued)

OTHER PUBLICATIONS

KUDU Dutch Oven Hanger, Oct. 25, 2018, Facebook, site visited
May 23, 2022: <https://www.facebook.com/kudugrills/photos/using-the-kudu-dutch-oven-hanger-potjie-charcoal-starters-and-cast-iron-skillit-1053544388141062/> (Year: 2018).*

(Continued)

Primary Examiner — Jack Reickel
Assistant Examiner — Bobby W Jones, II
(74) *Attorney, Agent, or Firm* — Fred Zollinger

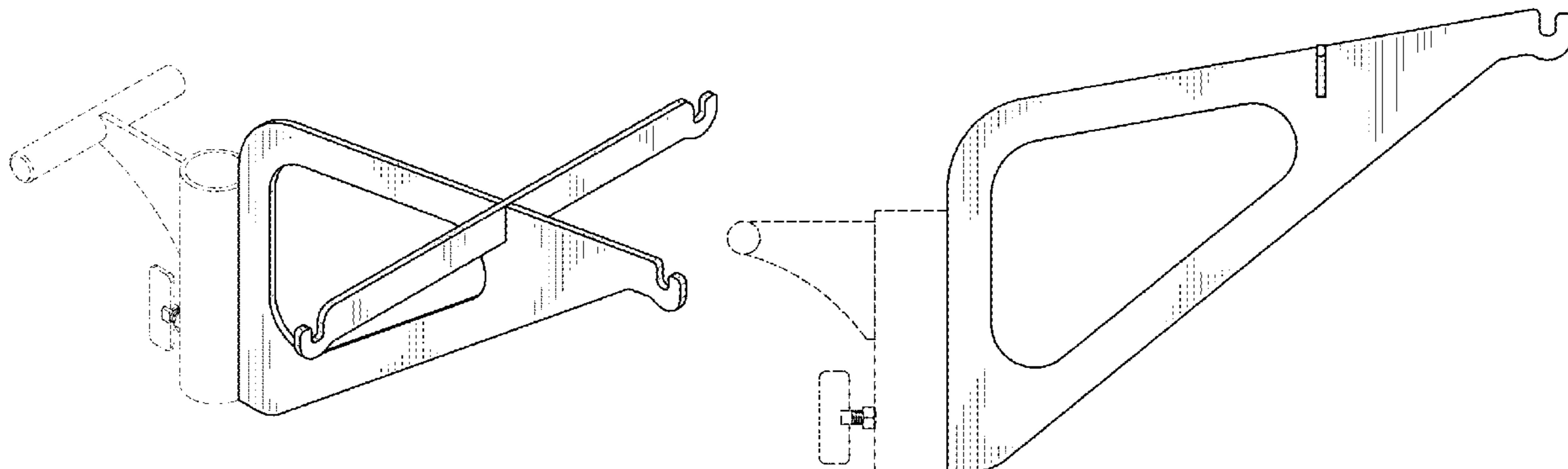
(57) **CLAIM**

The ornamental design for a kettle hook for fire pit, as shown and described.

DESCRIPTION

FIG. 1 is a perspective view of a kettle hook for fire pit showing my new design.
FIG. 2 is a front elevation view thereof.
FIG. 3 is a rear elevation view thereof.
FIG. 4 is a left side elevation view thereof.
FIG. 5 is a right side elevation view thereof.
FIG. 6 is a top plan view thereof; and,
FIG. 7 is a bottom plan view thereof.
The features depicted in broken lines form no part of the claimed design.

1 Claim, 5 Drawing Sheets



(56)

References Cited

U.S. PATENT DOCUMENTS

D315,862 S * 4/1991 Specker, Jr. D8/380
 D327,602 S 7/1992 Walker
 D327,839 S * 7/1992 Stumpf D8/381
 D335,811 S 5/1993 Bengtson et al.
 D342,184 S 12/1993 Sanchez
 D344,207 S 2/1994 Bauman
 D349,024 S 7/1994 Doffee
 D369,939 S 5/1996 Gibbs
 D382,765 S 8/1997 Kellermann
 D396,379 S * 7/1998 Stoetzl D7/335
 5,862,742 A 1/1999 Bjerg
 5,944,009 A * 8/1999 Scheller A47J 33/00
 126/30
 6,029,646 A * 2/2000 Jackson F24B 1/202
 126/30
 6,070,571 A 6/2000 Bradbury
 D440,638 S 4/2001 Lefroy-Brooks
 6,298,843 B1 10/2001 Olsen et al.
 6,361,004 B1 * 3/2002 Witherspoon A47J 37/0786
 248/231.71
 D457,029 S 5/2002 Wickizer
 6,386,192 B1 5/2002 Weber
 6,578,568 B1 * 6/2003 Dufort F24B 1/205
 126/30
 6,845,705 B1 1/2005 Chen
 7,007,687 B2 3/2006 Lewis
 D577,946 S 10/2008 Carroll
 D582,197 S 12/2008 Parmelee
 D592,443 S 5/2009 Fraser
 8,272,601 B2 9/2012 Kocher
 D715,611 S 10/2014 Stamm et al.
 D718,081 S * 11/2014 Rinderle D7/332
 D726,235 S 4/2015 Nauli
 D734,975 S * 7/2015 Troyer, Jr. D7/332
 9,215,950 B2 12/2015 Walker
 D796,655 S 9/2017 Horne, III
 D811,205 S * 2/2018 Hanley D8/380
 D812,957 S 3/2018 McGuinness
 10,130,212 B2 11/2018 Lopez

10,588,455 B2 3/2020 Horne, III
 D926,301 S * 7/2021 Stoltzfus D23/347
 2006/0112950 A1 * 6/2006 Czajkoski F24B 1/182
 126/30
 2007/0289587 A1 * 12/2007 Eckes F24B 1/205
 126/30
 2012/0312297 A1 12/2012 Walker
 2015/0075514 A1 3/2015 Kuenzinger
 2015/0136112 A1 5/2015 Dyson
 2015/0285507 A1 * 10/2015 Troyer, Jr. F24B 1/182
 126/30
 2015/0305561 A1 10/2015 Andol
 2016/0029841 A1 2/2016 Walker
 2017/0303741 A1 10/2017 Horne, III
 2018/0184840 A1 7/2018 Maga
 2021/0045578 A1 * 2/2021 Stoltzfus A47J 37/0786

OTHER PUBLICATIONS

Minuteman International Crane Fireplace Pot Hanger, Dec. 11, 2017, Amazon, site visited May 23, 2022: <https://www.amazon.com/dp/B0006Q4IBK> (Year: 2017).*

Breeo photo, Feb. 29, 2020, Facebook, site visited May 23, 2022: <https://www.facebook.com/breeollc/photos/a.369857039820382/1716305781842161/?type=3> (Year: 2020).*

Breeo, LLC, Double Flame 17" Grill & Post, downloaded on Sep. 4, 2019 from <https://breeo.co/collections/double-flame/products/double-flame-17-grill-post>.

Breeo, LLC, Double Flame 24" Double Flame 24" Grill & Post, downloaded on Sep. 4, 2019 from <https://breeo.co/collections/double-flame/products/double-flame-24-grill-post>.

Breeo, LLC, Phoenix, downloaded on Sep. 4, 2019 from <https://breeo.co/collections/phoenix>.

KUDU Grills, KUDU Dutch Oven Hanger, downloaded on Sep. 27, 2019 from <https://kudugrills.com/product/dutch-oven-holder/>.

Jan. 19, 2011 Fire Pit w/ Kettle Winch publication, Beaver Creek Furniture.

Breeo, LLC, Design U.S. Appl. No. 29/704,189, filed Sep. 3, 2019, titled Fire Pit Grill with Handle.

* cited by examiner

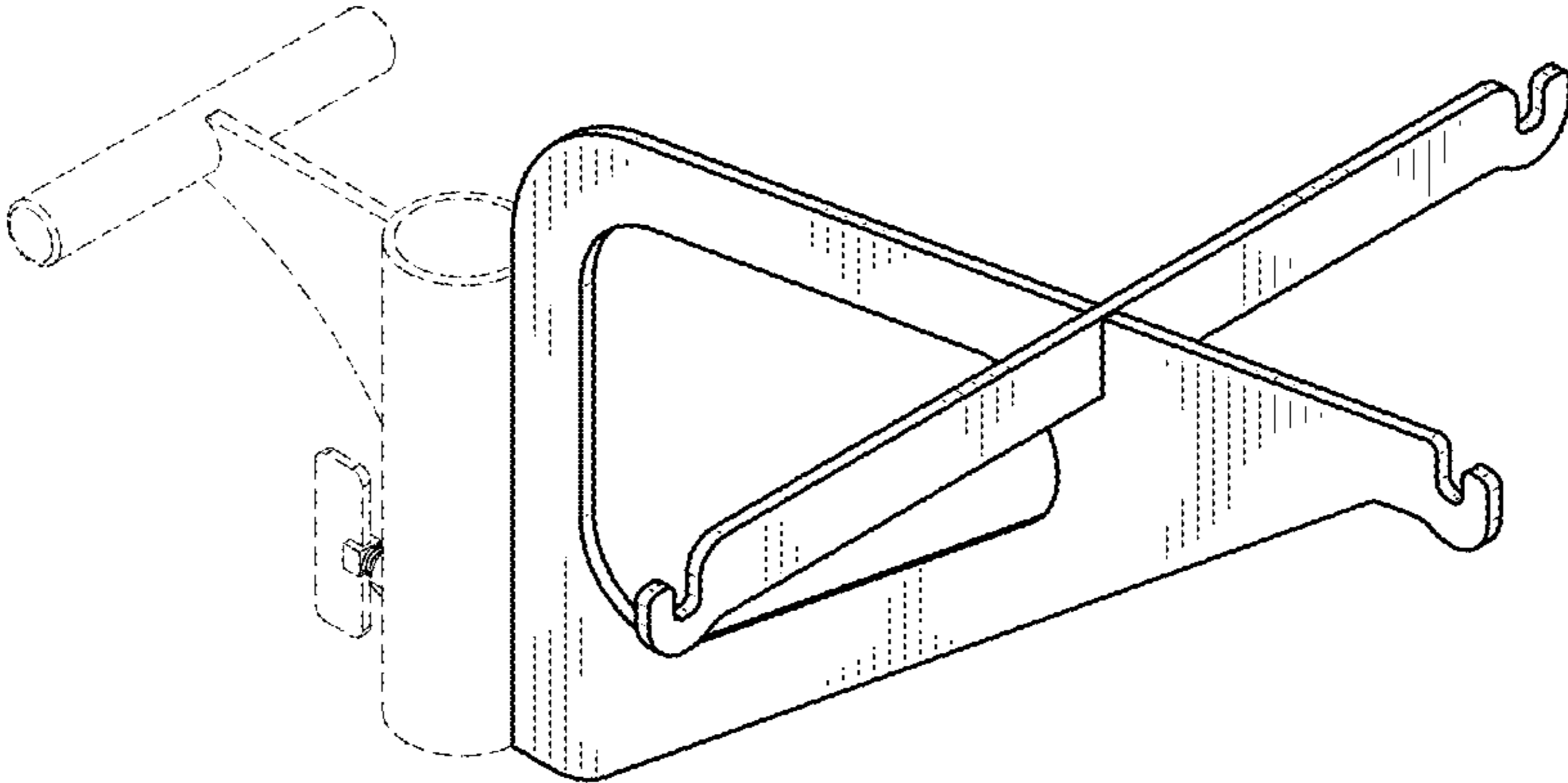


FIG. 1

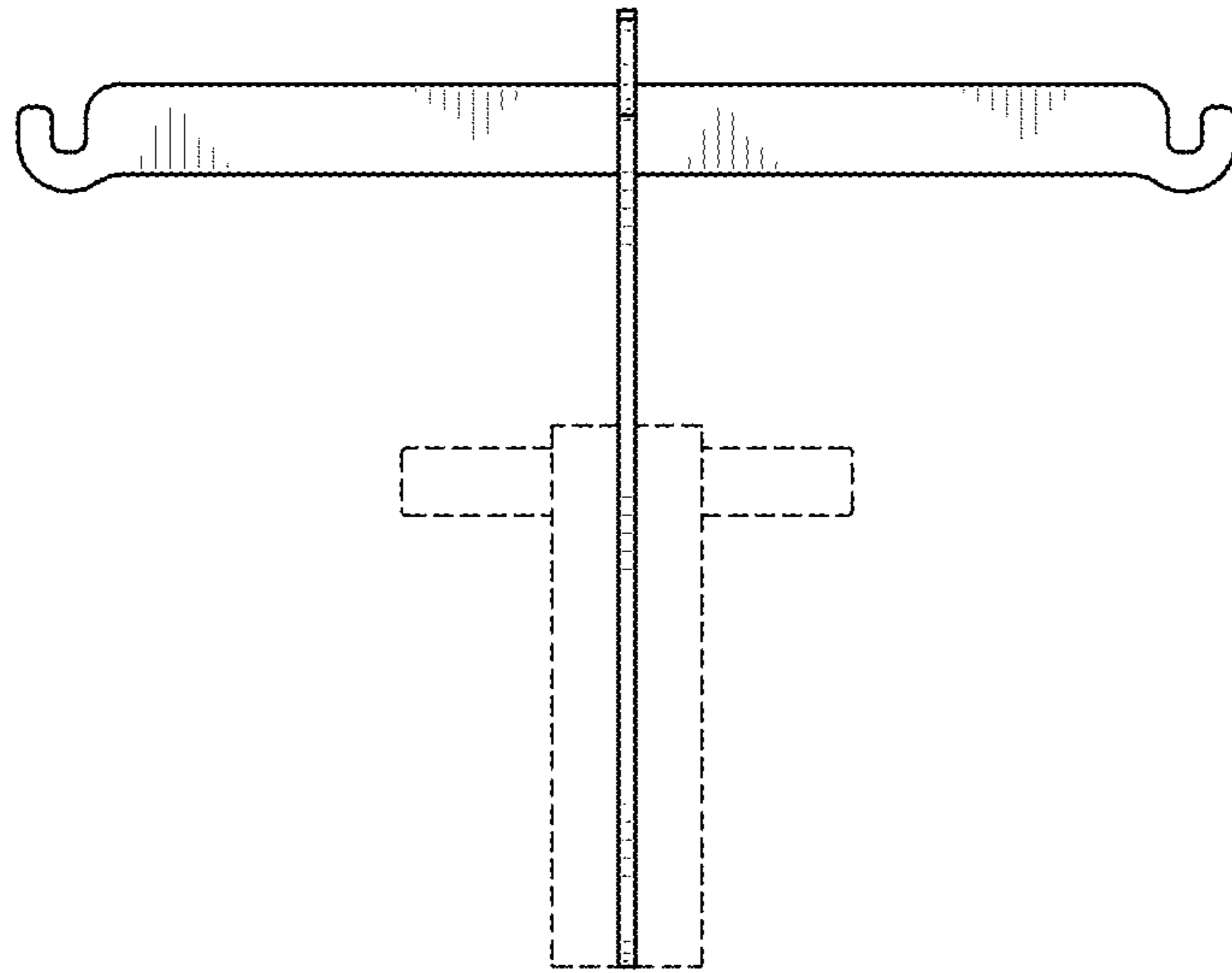


FIG. 2

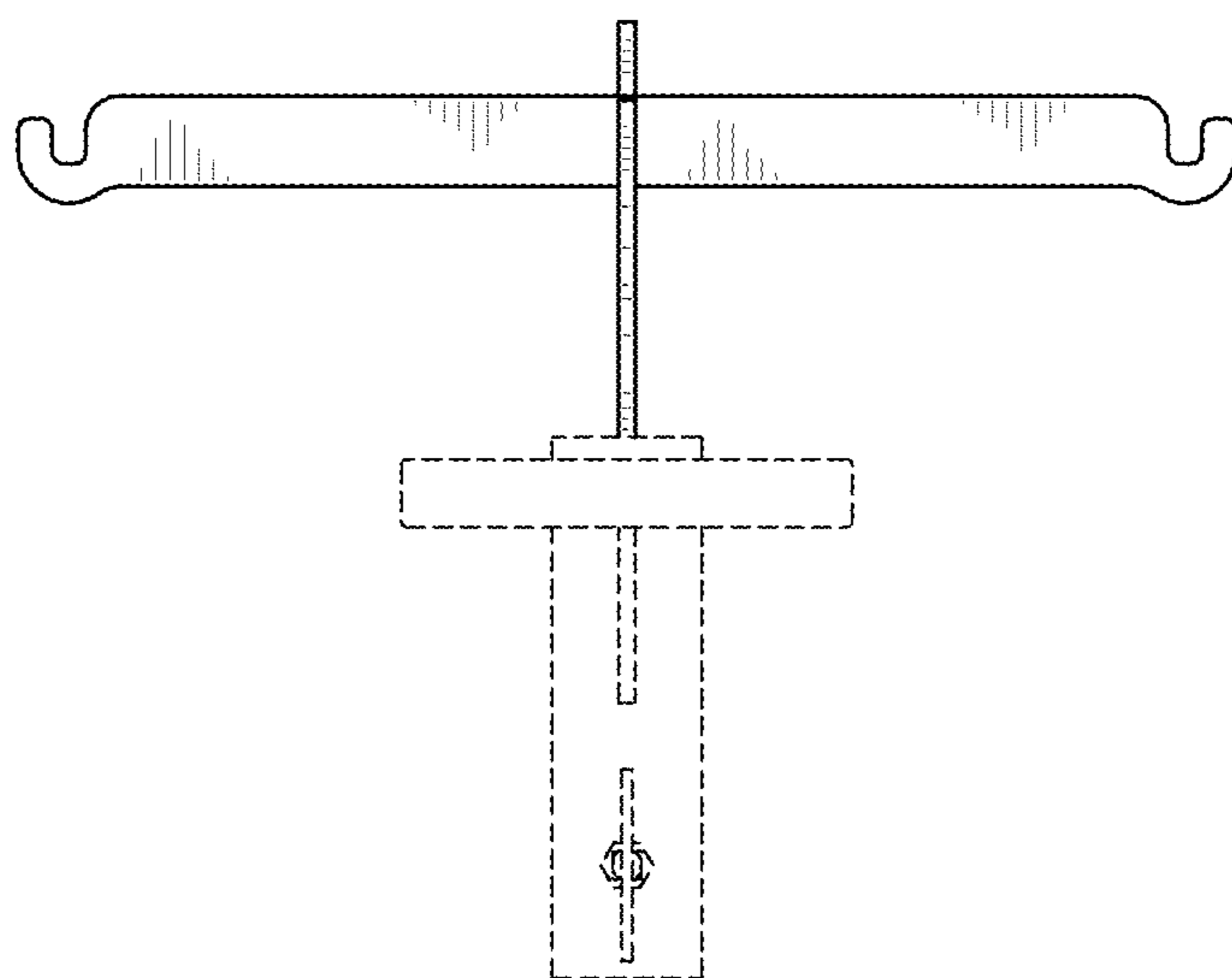


FIG. 3

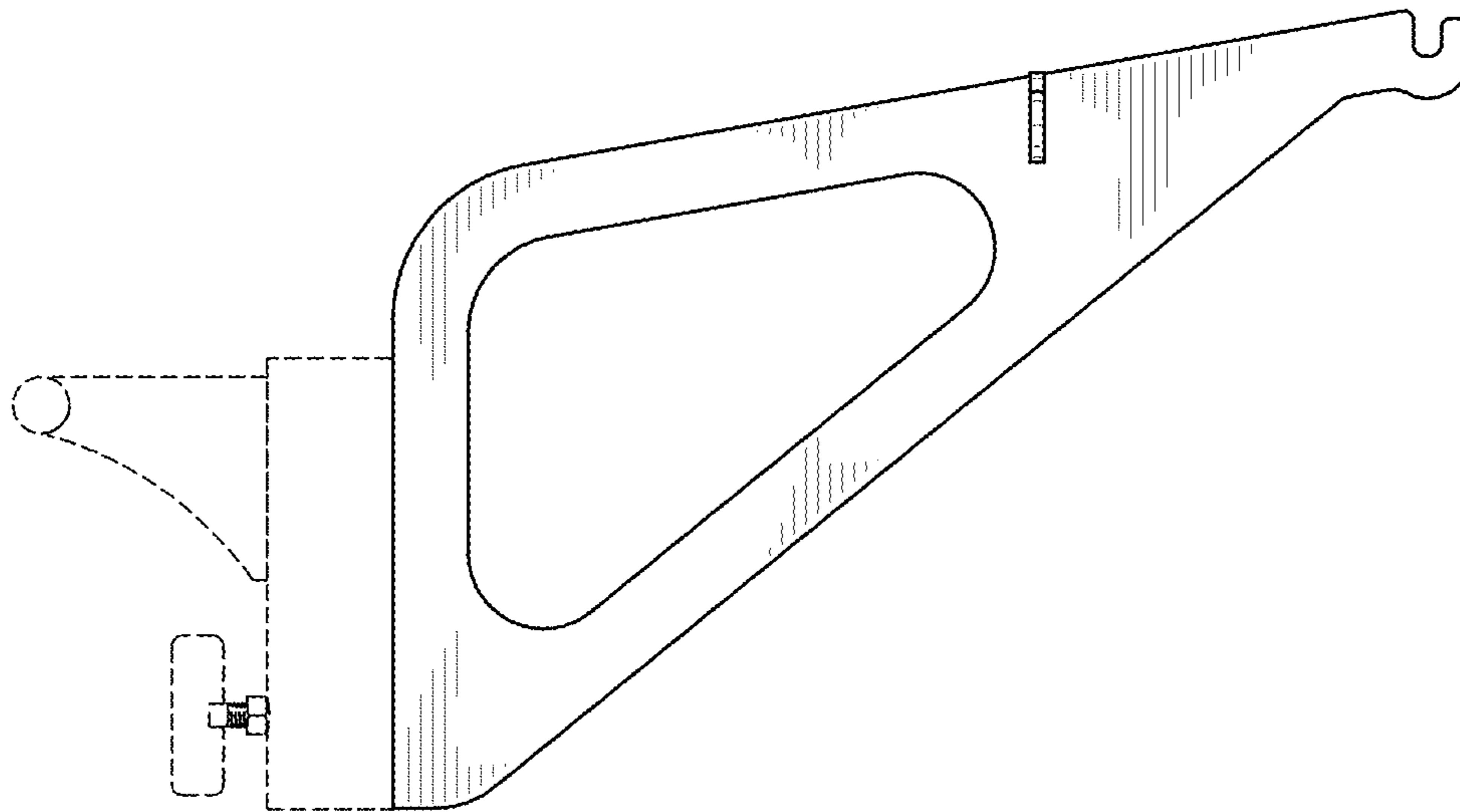


FIG. 4

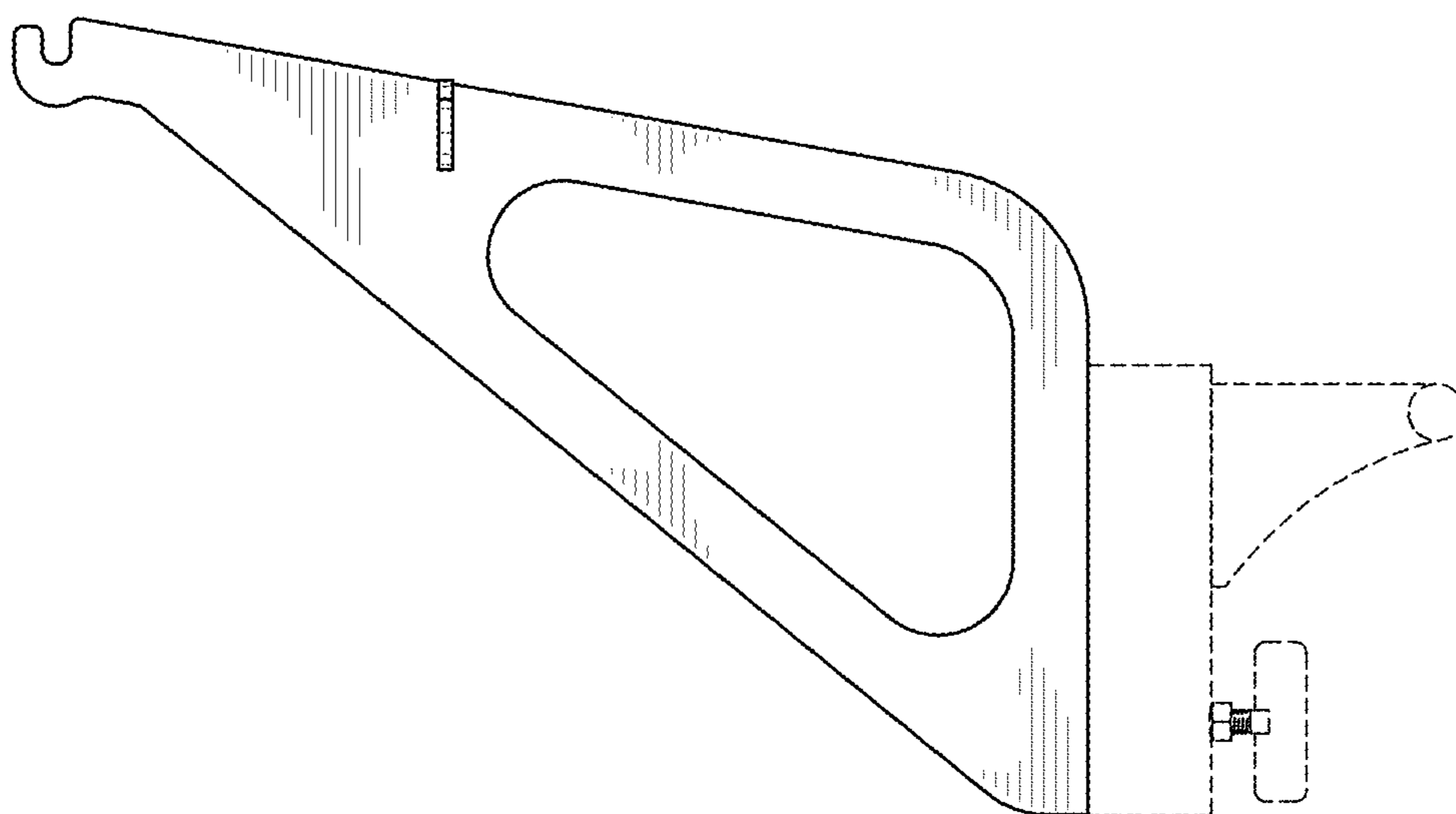


FIG. 5

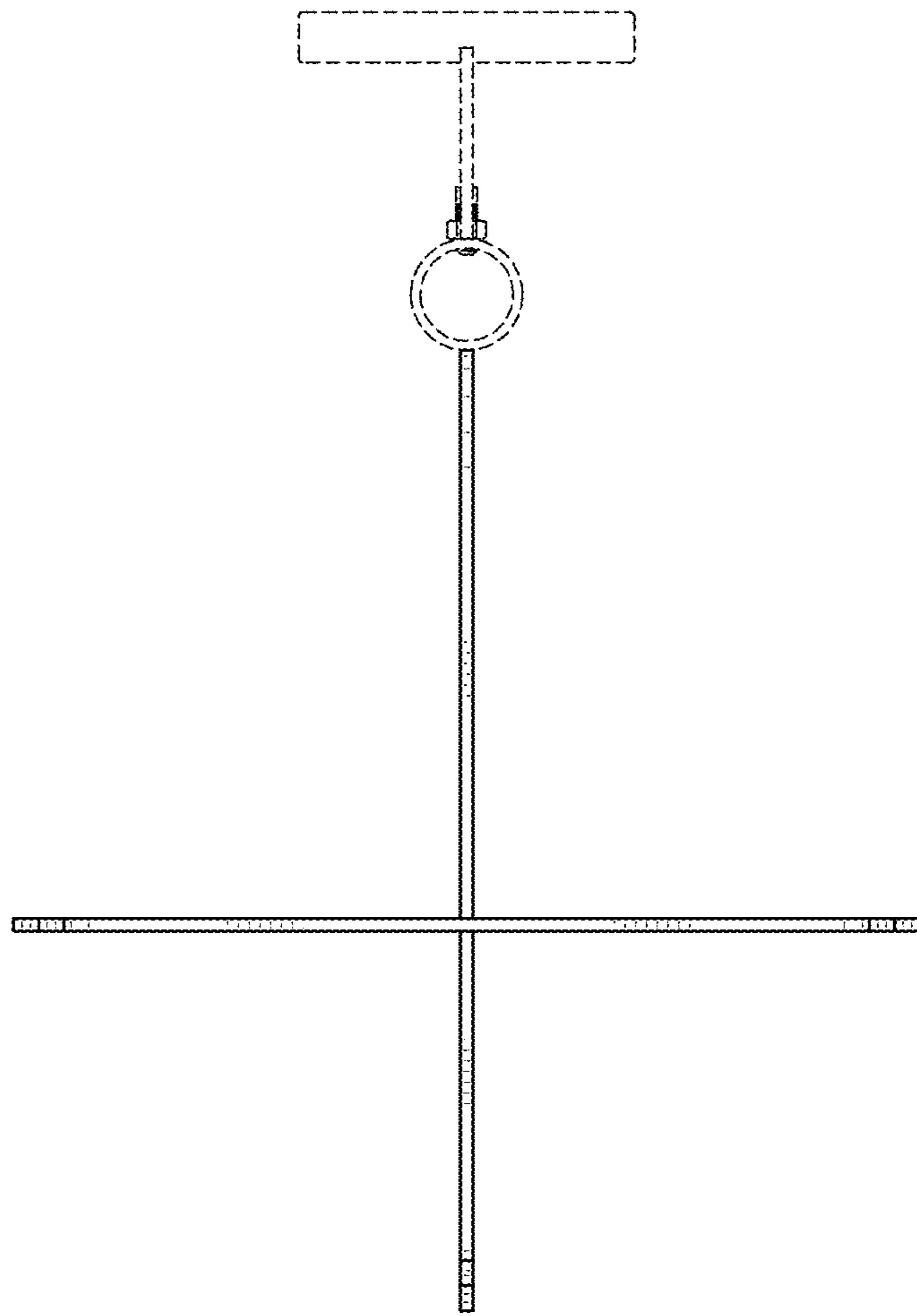


FIG. 6

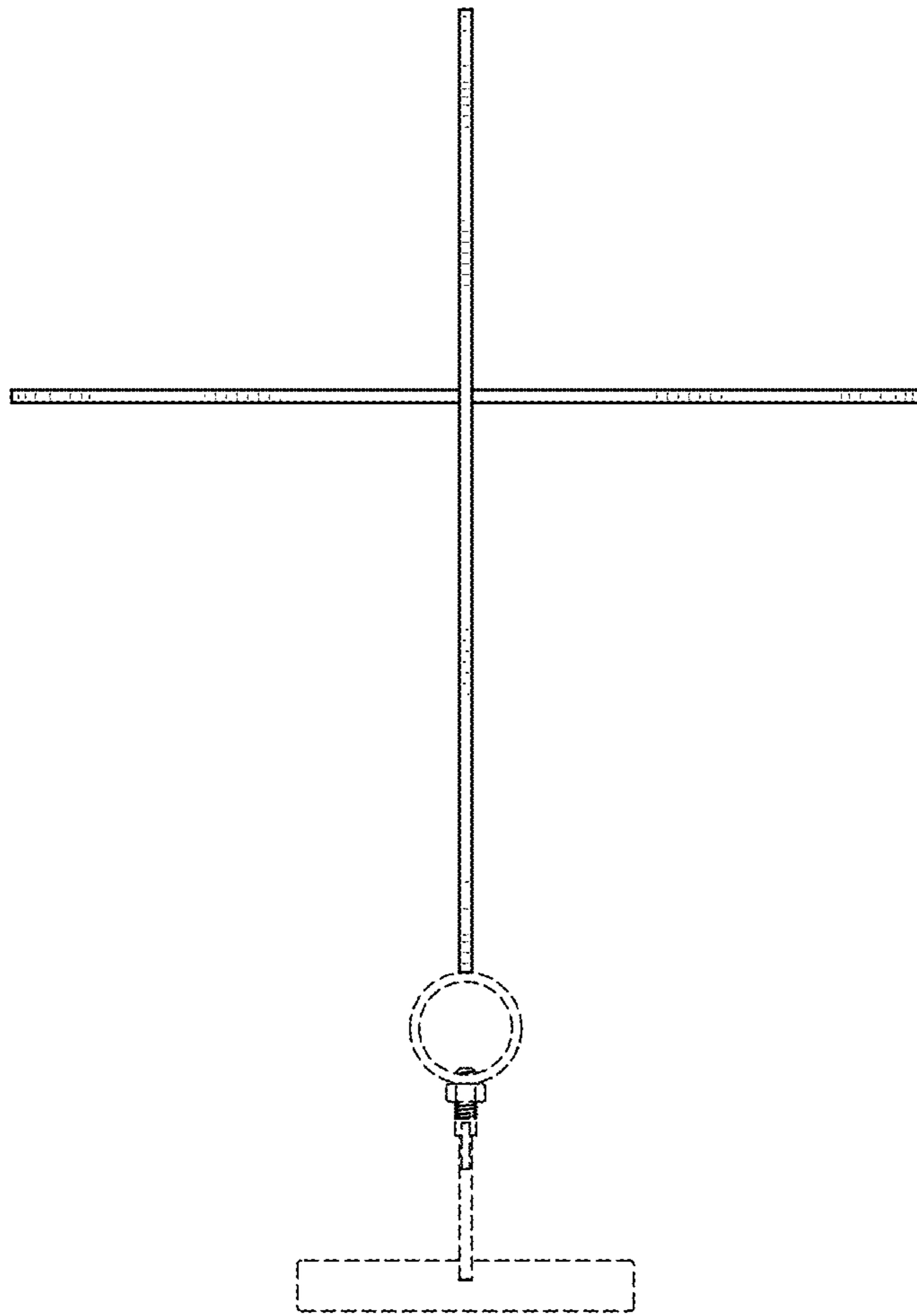


FIG. 7