

US00D965372S

(12) **United States Design Patent** (10) **Patent No.:** **US D965,372 S**  
**Wang et al.** (45) **Date of Patent:** **\*\* Oct. 4, 2022**

(54) **GRILL**  
(71) Applicants: **An Wang**, Jiangsu (CN); **Zhenqin Xie**, Jiangsu (CN)  
(72) Inventors: **An Wang**, Jiangsu (CN); **Zhenqin Xie**, Jiangsu (CN)

(\*\*) **Term:** **15 Years**

(21) **Appl. No.:** **29/727,594**

(22) **Filed:** **Mar. 11, 2020**

(51) **LOC (13) Cl.** ..... **07-02**

(52) **U.S. Cl.**  
USPC ..... **D7/332**

(58) **Field of Classification Search**  
USPC ..... D23/314, 317, 318, 319, 320, 321, 329, D23/332, 342, 335; D7/332-337, D7/402-405, 352  
CPC . F24H 1/10; F24H 9/2028; F24H 9/02; F24H 9/128; F24H 9/2021; F24H 9/2007; F24H 9/0005; F24H 4/00; F24H 2/142; F24H 9/2071; F24H 9/2064; F24H 1/06; A47J 37/0763; A47J 37/07; A47J 37/0718  
See application file for complete search history.

(56) **References Cited**

**U.S. PATENT DOCUMENTS**

D26,474 S *	12/1896	Ohnemus	.....	D23/342
D28,496 S *	4/1898	Huenefeld	.....	D23/342
D28,602 S *	5/1898	Lynott	.....	D23/342
D31,015 S *	6/1899	Huenefeld	.....	D23/342
D38,690 S *	7/1907	Tobias	.....	D23/320
D201,416 S *	6/1965	Sazegar	.....	D7/337
D219,693 S *	1/1971	Hahn	.....	D7/337
10,517,427 B2 *	12/2019	Hackley	.....	A47J 37/0704
D925,263 S *	7/2021	Bahreinian	.....	D7/332
2004/0170408 A1 *	9/2004	Long	.....	F24H 1/08 392/441
2011/0214662 A1 *	9/2011	Contarino, Jr.	.....	A47J 37/07 126/25 R

2017/0014000 A1 *	1/2017	Minnich	.....	A47J 37/0786
2017/0164784 A1 *	6/2017	Rummel	.....	A47J 37/041
2017/0198917 A1 *	7/2017	Gillespie	.....	F24B 1/026
2017/0215641 A1 *	8/2017	DeBruler	.....	A47J 37/0704
2017/0360238 A1 *	12/2017	Bogazzi	.....	A47J 27/0813
2018/0078090 A1 *	3/2018	Boyd, Sr.	.....	A47J 37/0763
2018/0263415 A1 *	9/2018	Hackley	.....	A47J 37/0786
2018/0368619 A1 *	12/2018	Boyd, Sr.	.....	A47J 37/0786
2019/0059652 A1 *	2/2019	Kohli	.....	A47J 37/0704
2019/0282031 A1 *	9/2019	Feng	.....	A47J 37/0664
2020/0015628 A1 *	1/2020	Fitzgerald	.....	A47J 37/0754

(Continued)

*Primary Examiner* — Ania Aman

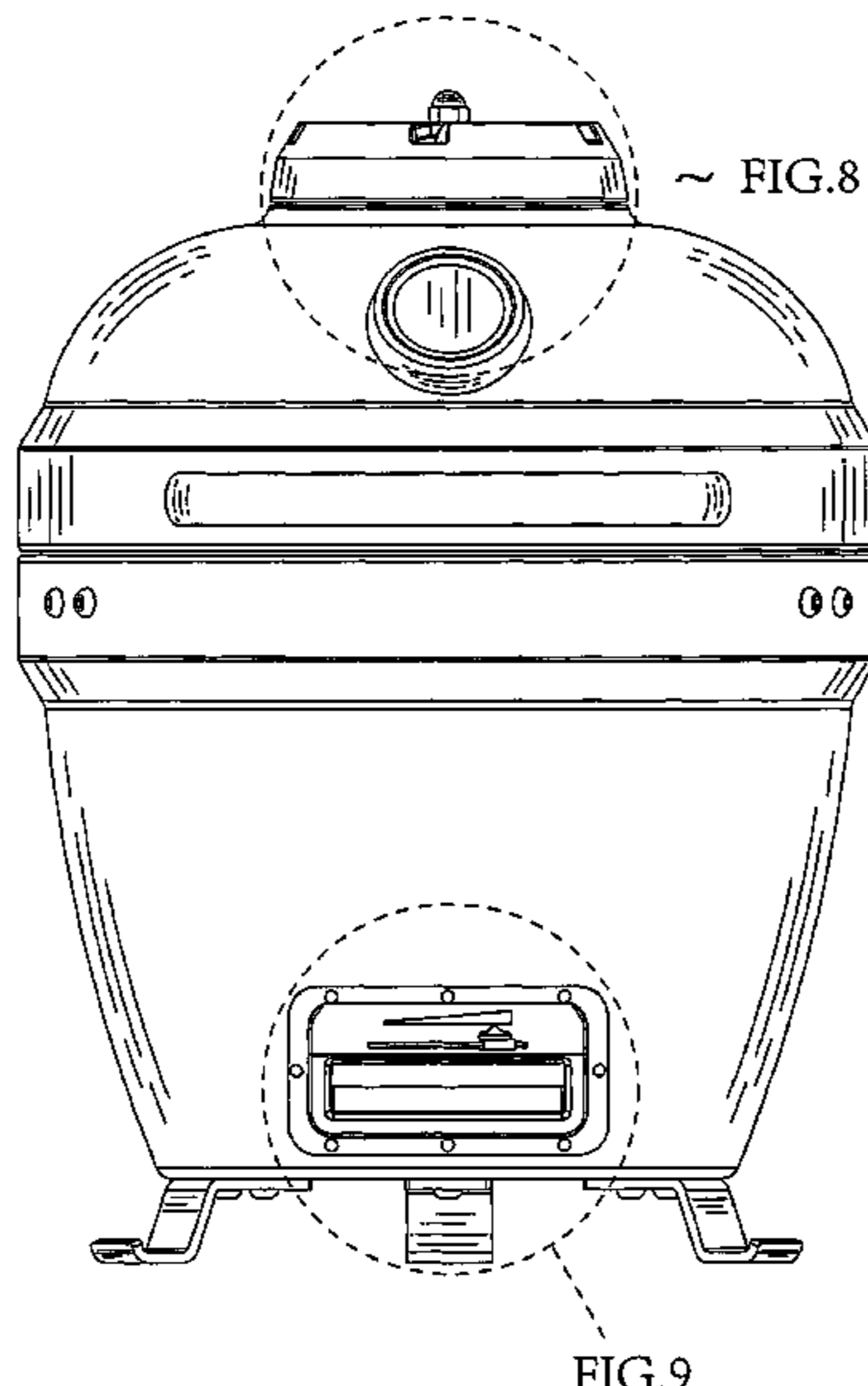
(57) **CLAIM**

The ornamental design for a grill, as shown and described.

**DESCRIPTION**

FIG. 1 is a front elevational view of a grill showing our new design;  
FIG. 2 is a rear elevational view thereof;  
FIG. 3 is a left side elevational view thereof;  
FIG. 4 is a right side elevational view thereof;  
FIG. 5 is a top plan view thereof;  
FIG. 6 is a bottom plan view thereof;  
FIG. 7 is a perspective view thereof;  
FIG. 8 is an enlarged view of the grill taken from the circle part in FIG. 1;  
FIG. 9 is another enlarged view of the grill taken from the circle part in FIG. 1;  
FIG. 10 is an enlarged view of the grill taken from the circle part in FIG. 2;  
FIG. 11 is an enlarged view of the grill taken from the circle part in FIG. 5; and,  
FIG. 12 is an enlarged view of the grill taken from the circle part in FIG. 6.  
The broken lines identifying the enlarged views form no part of the claimed design.

**1 Claim, 12 Drawing Sheets**



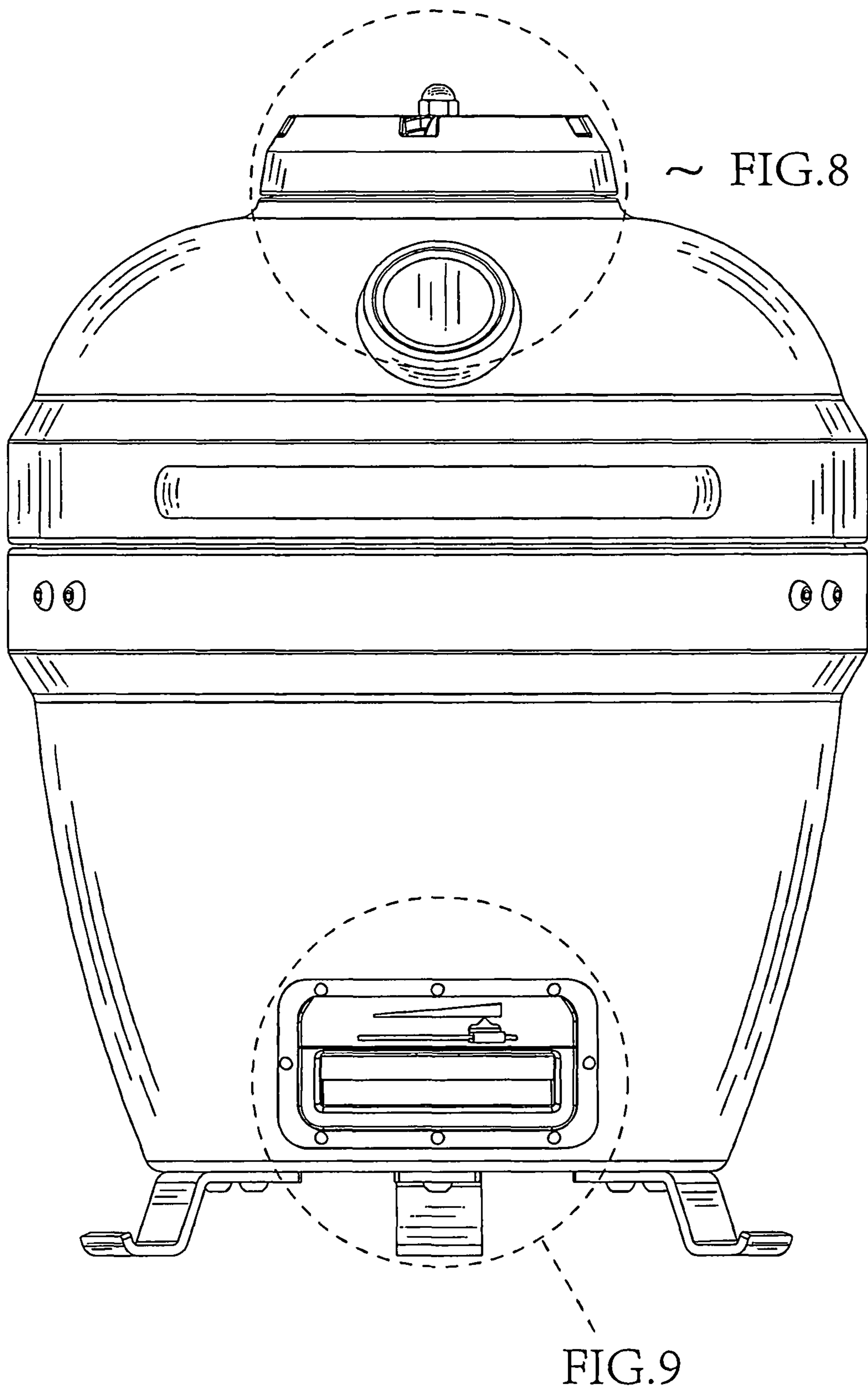
(56)

**References Cited**

U.S. PATENT DOCUMENTS

2020/0113383 A1\* 4/2020 Hackley ..... A47J 37/0786  
2021/0068590 A1\* 3/2021 Brennan ..... A47J 37/0763

\* cited by examiner



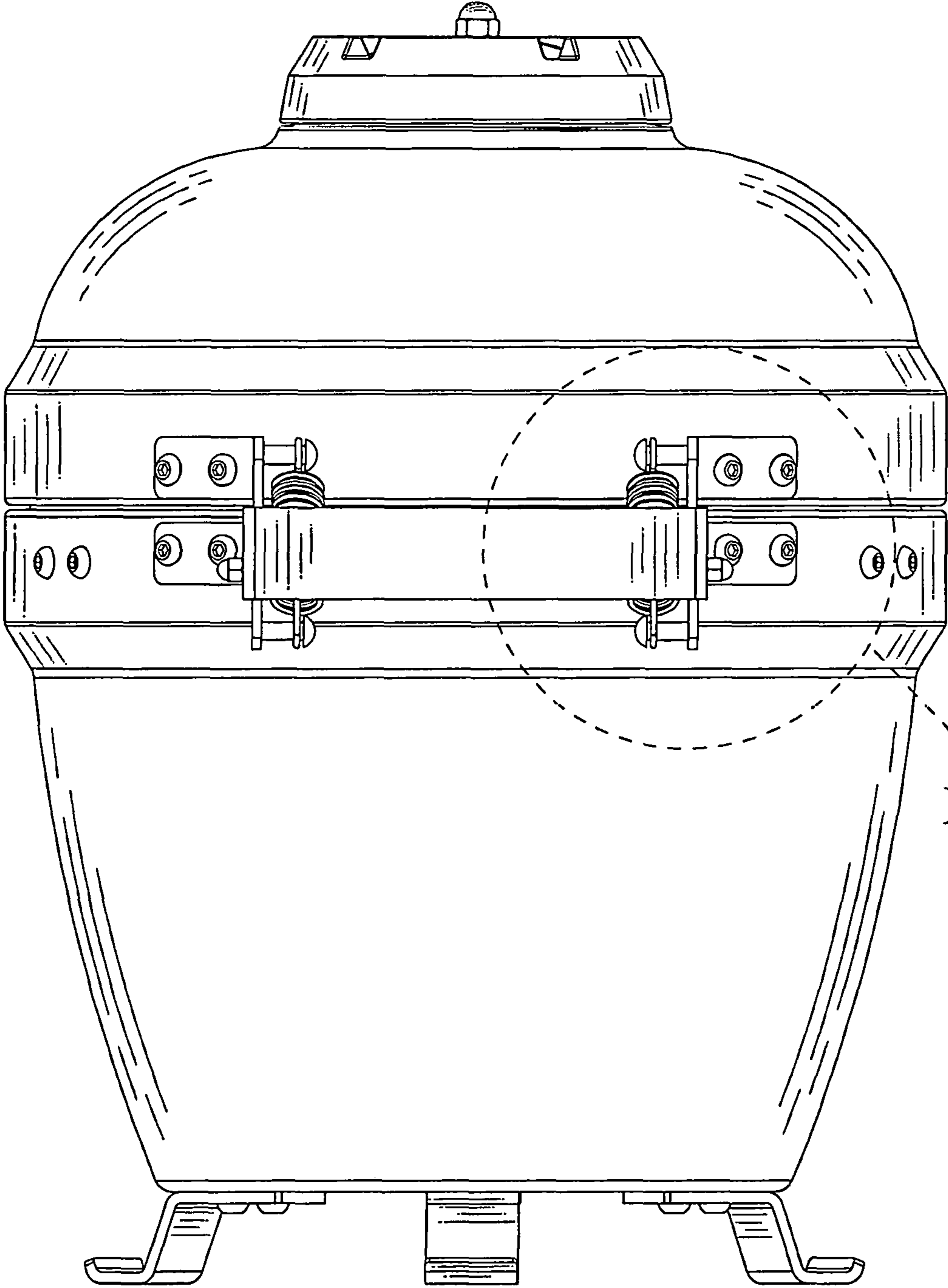


FIG.10

FIG. 2

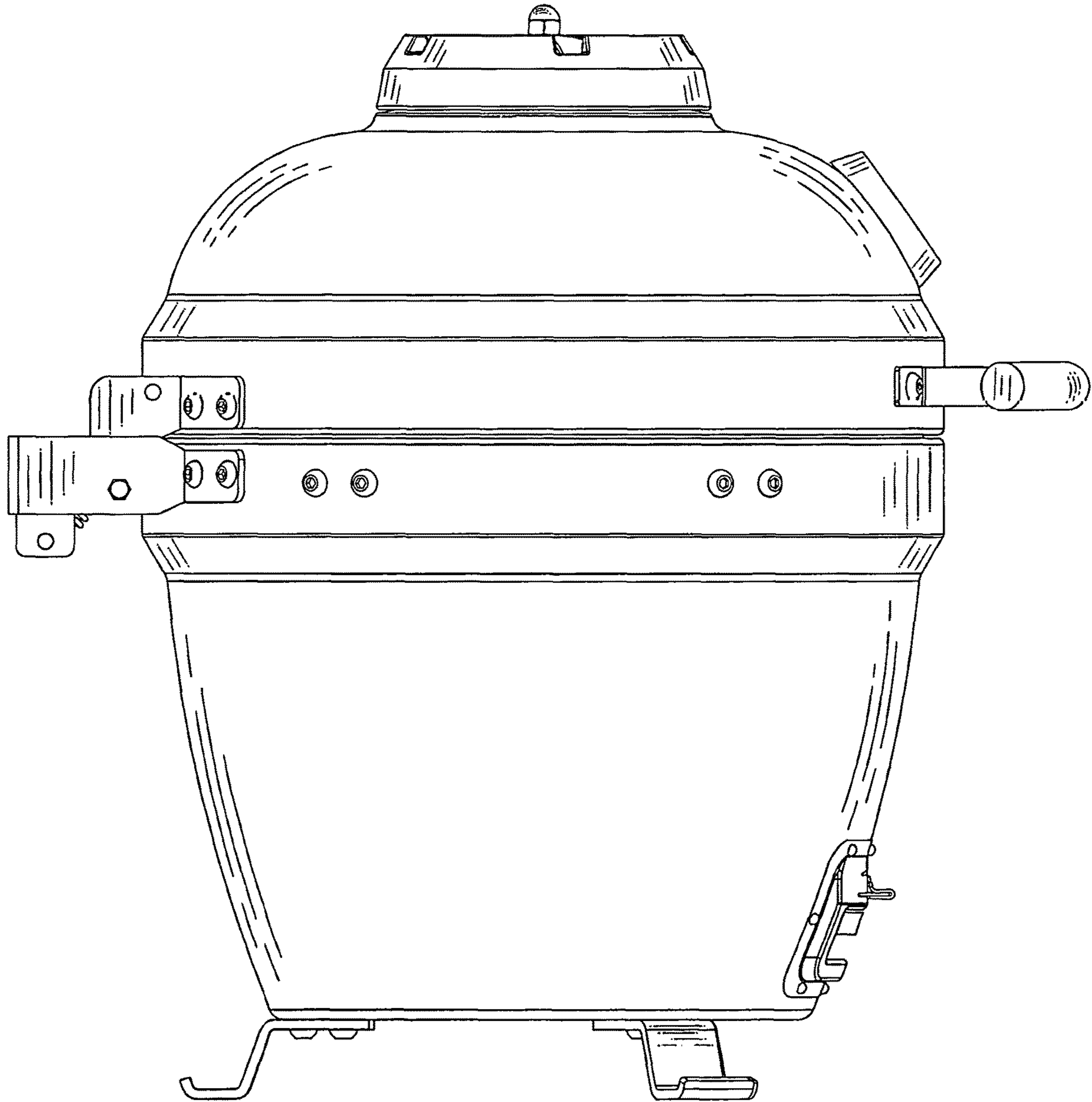


FIG. 3

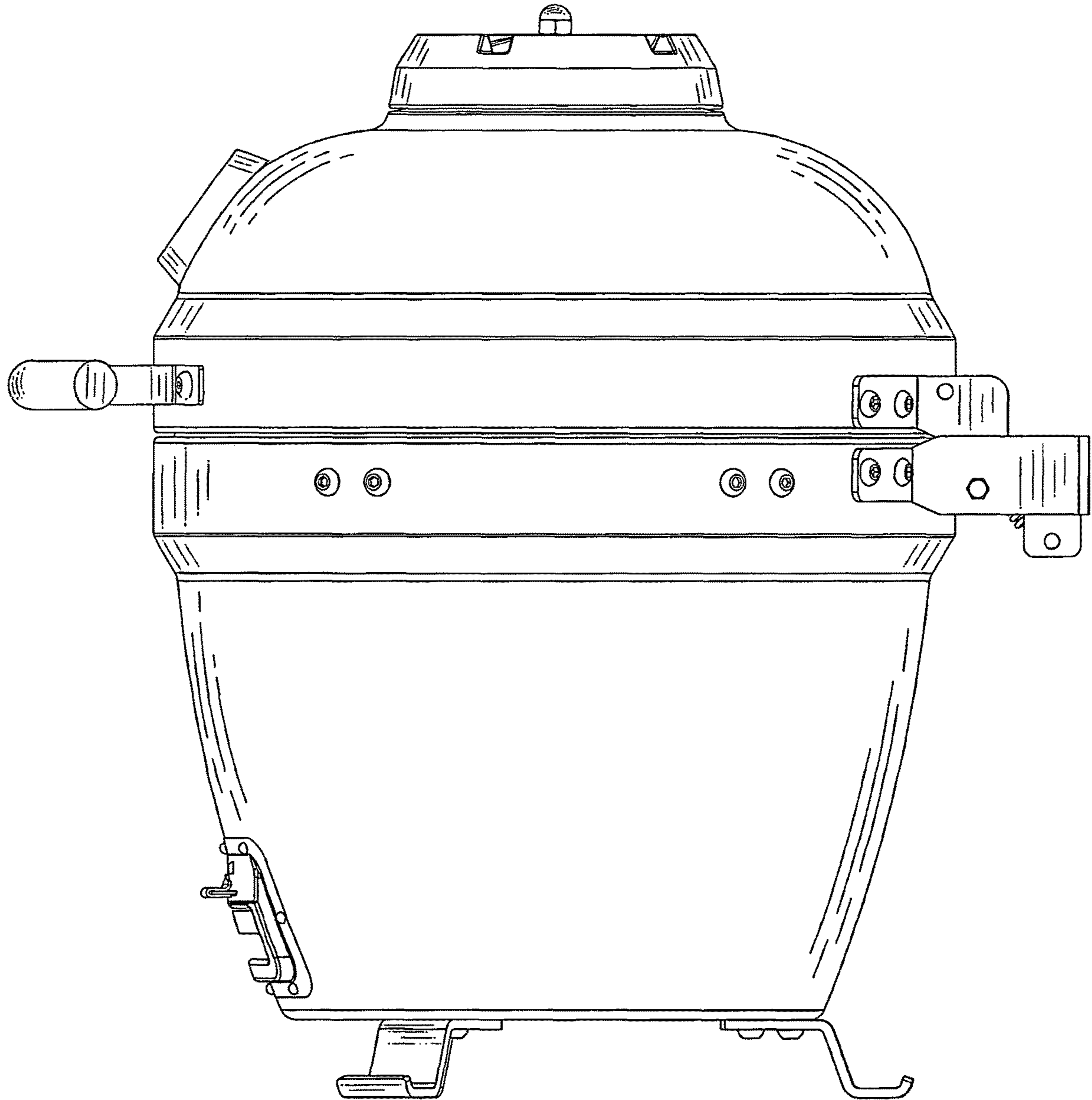


FIG. 4

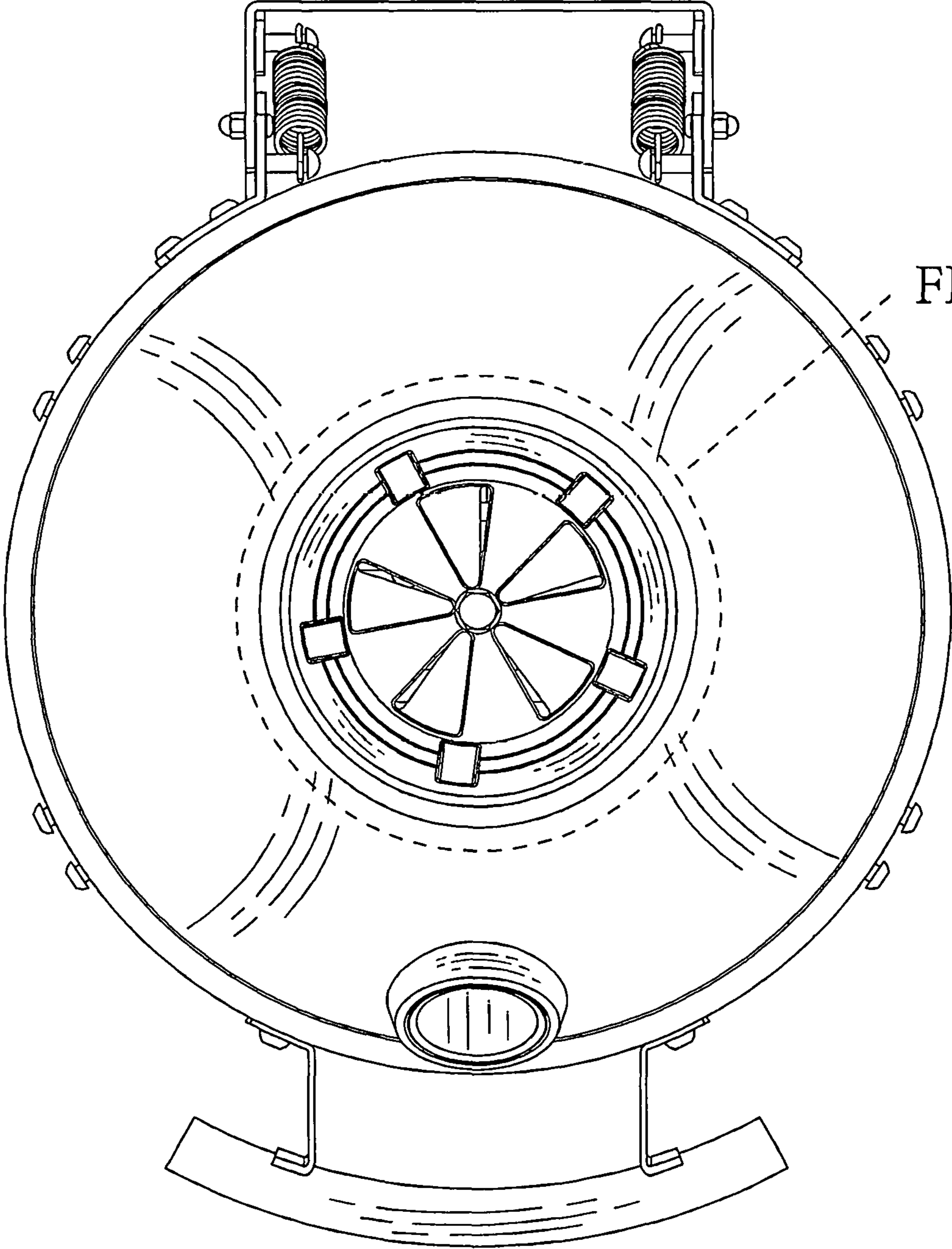


FIG.11

FIG. 5

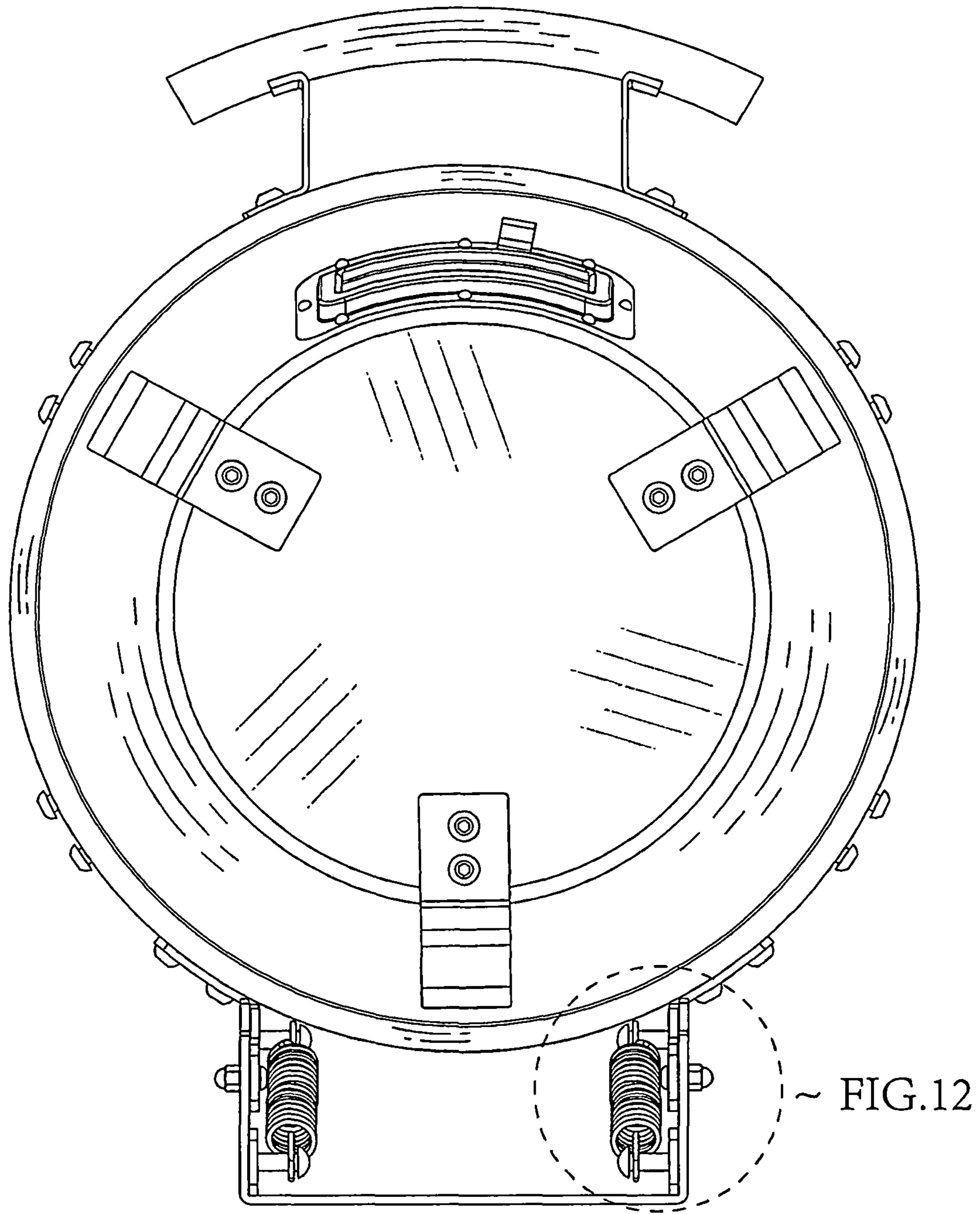


FIG. 6



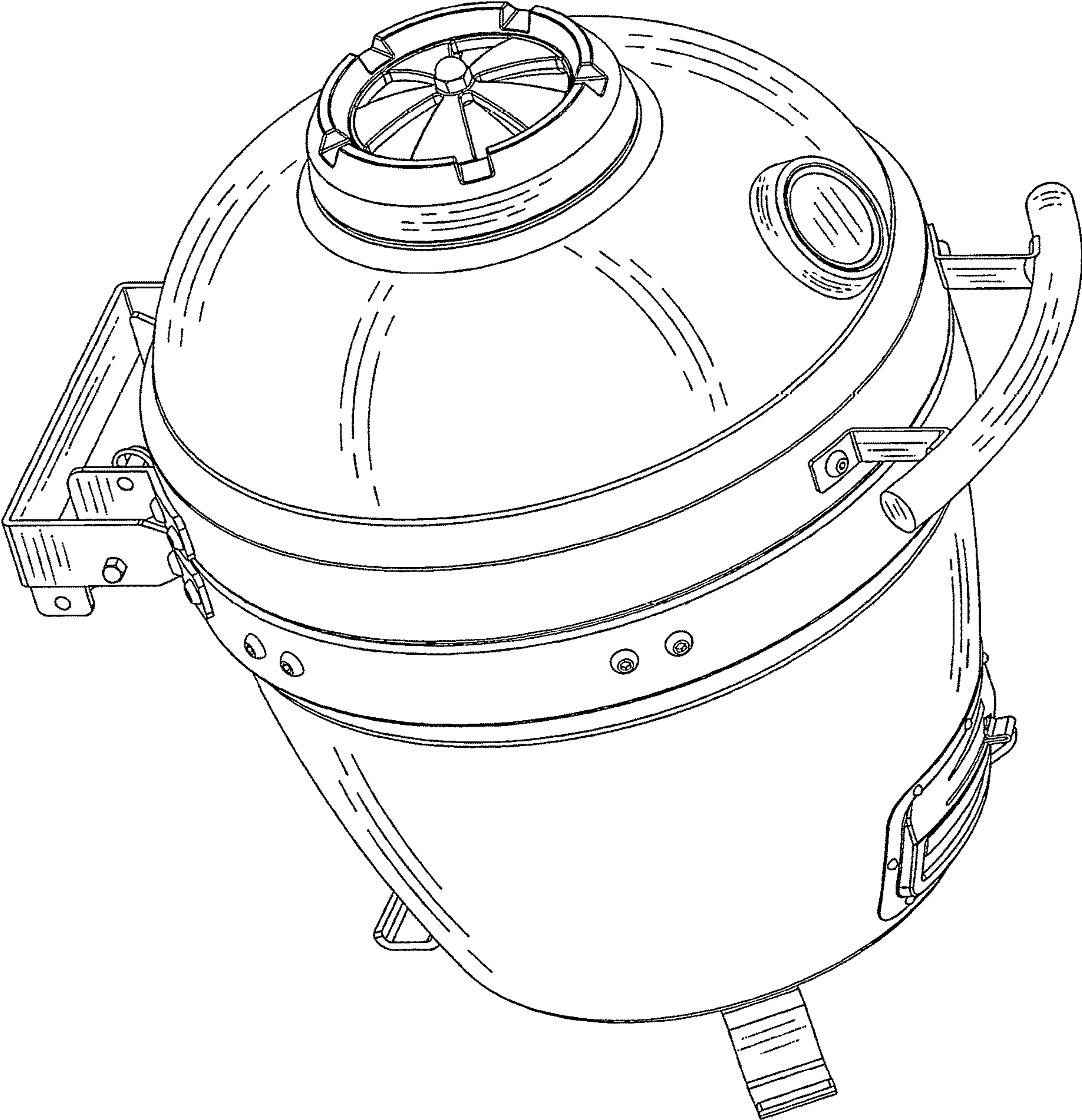


FIG. 7

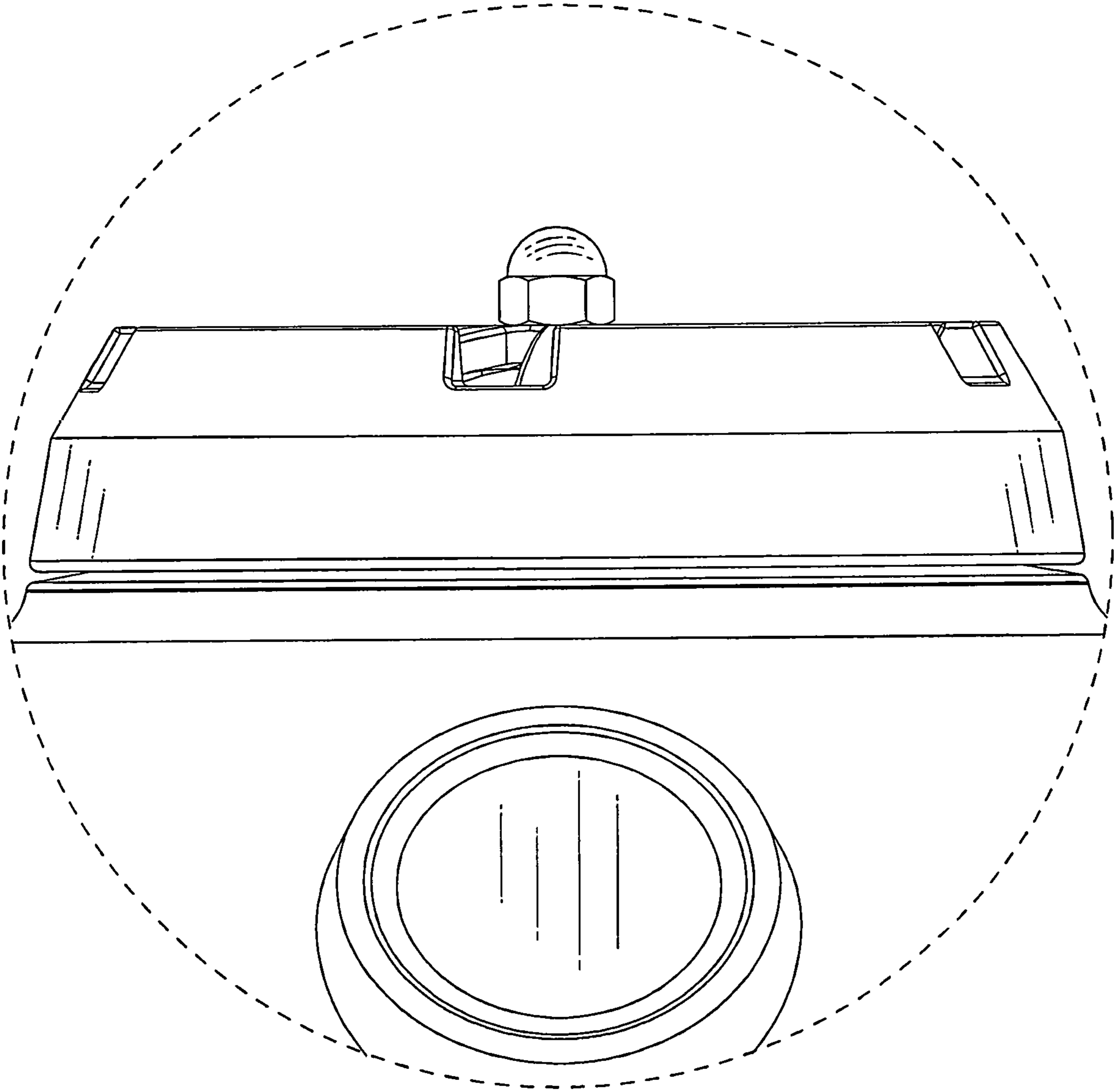


FIG. 8

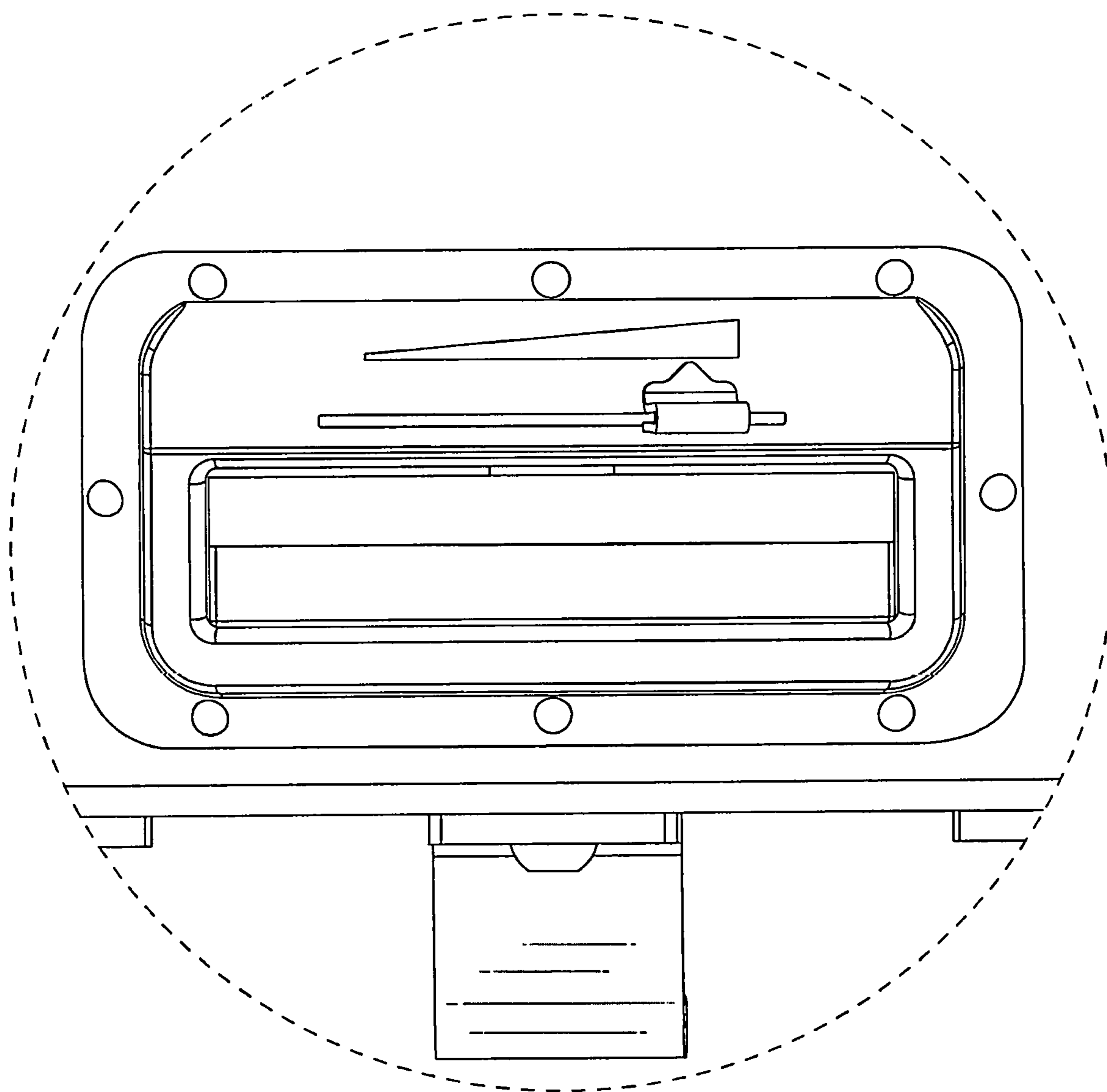


FIG. 9

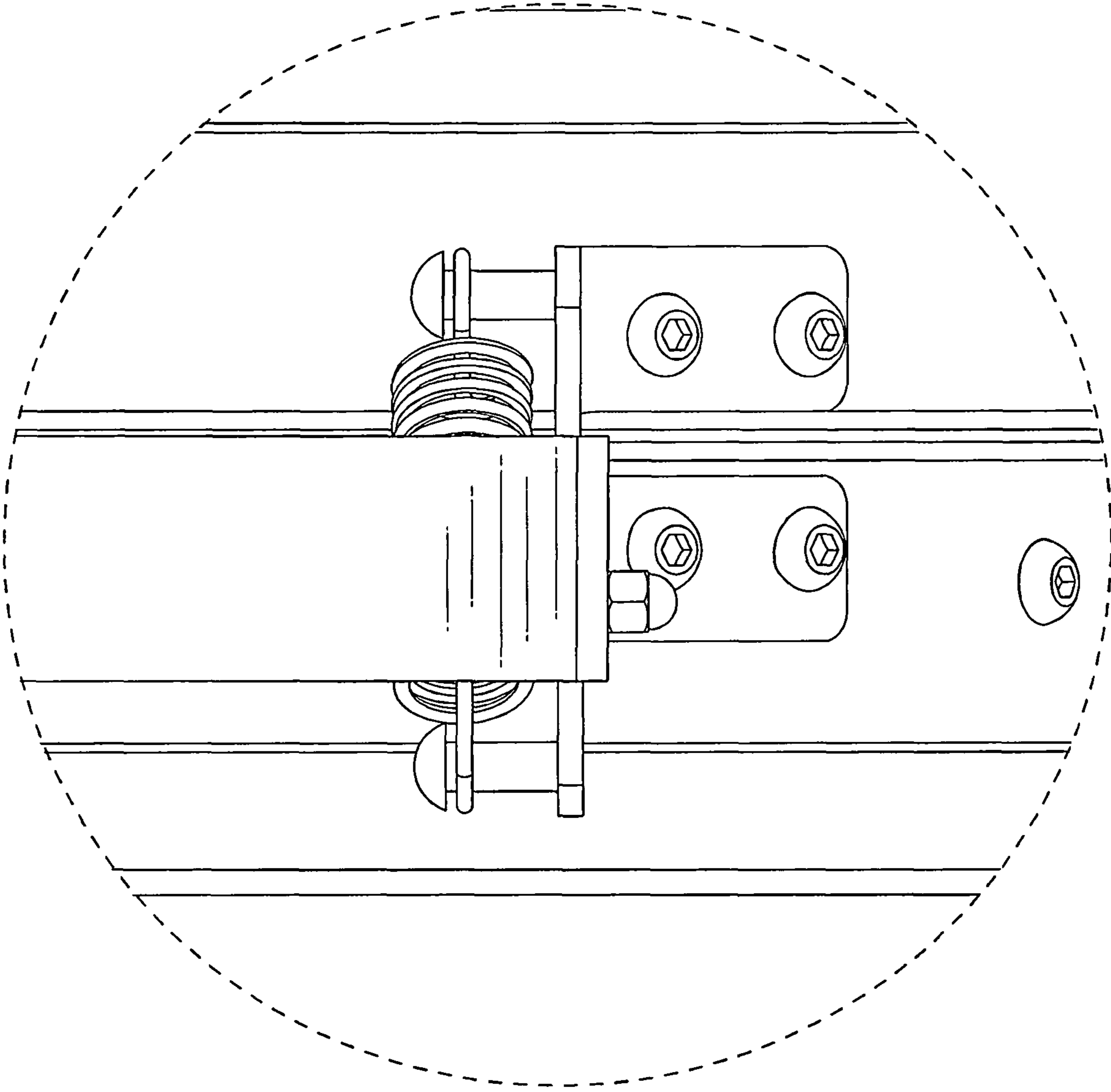


FIG. 10

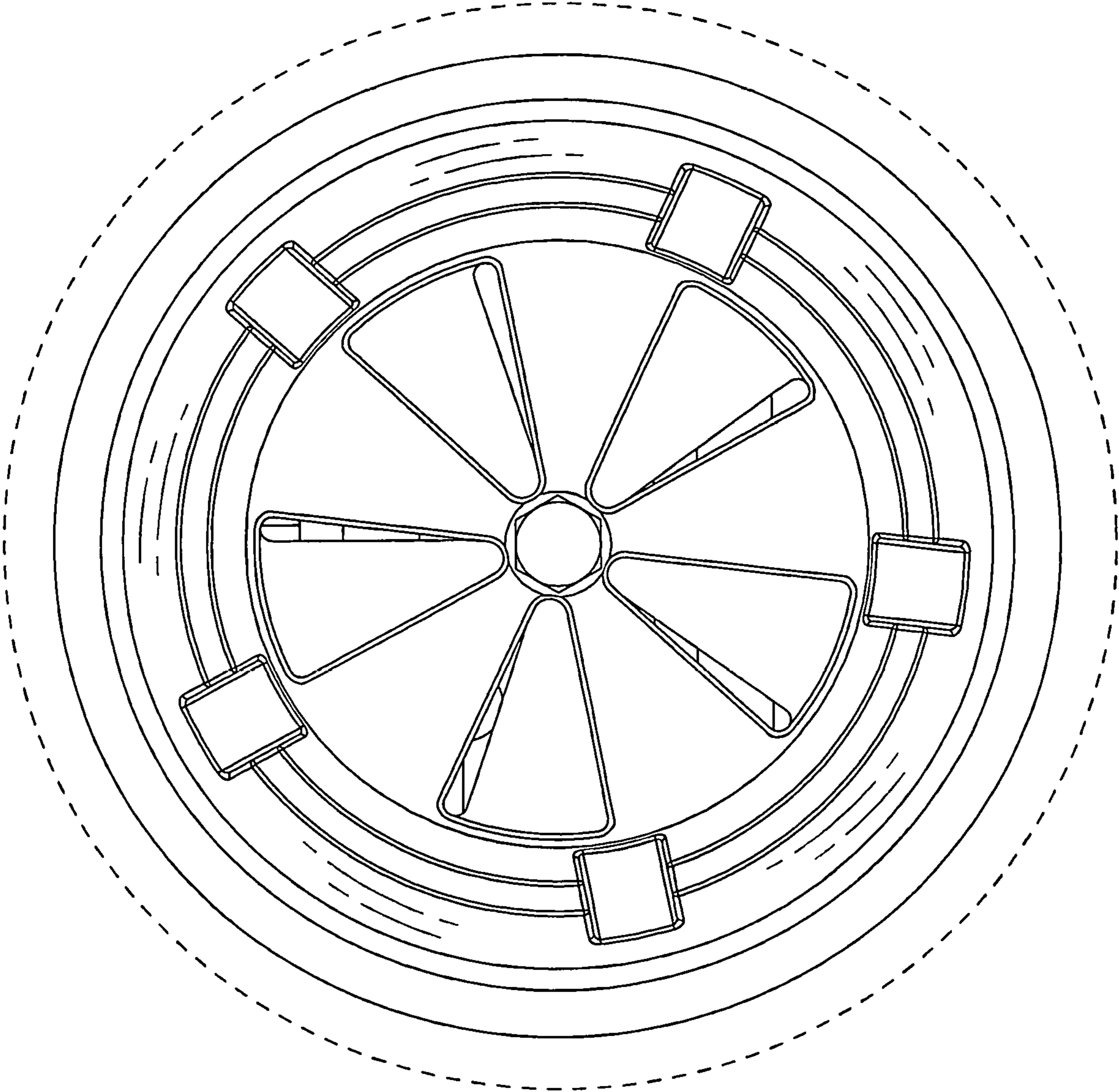


FIG. 11

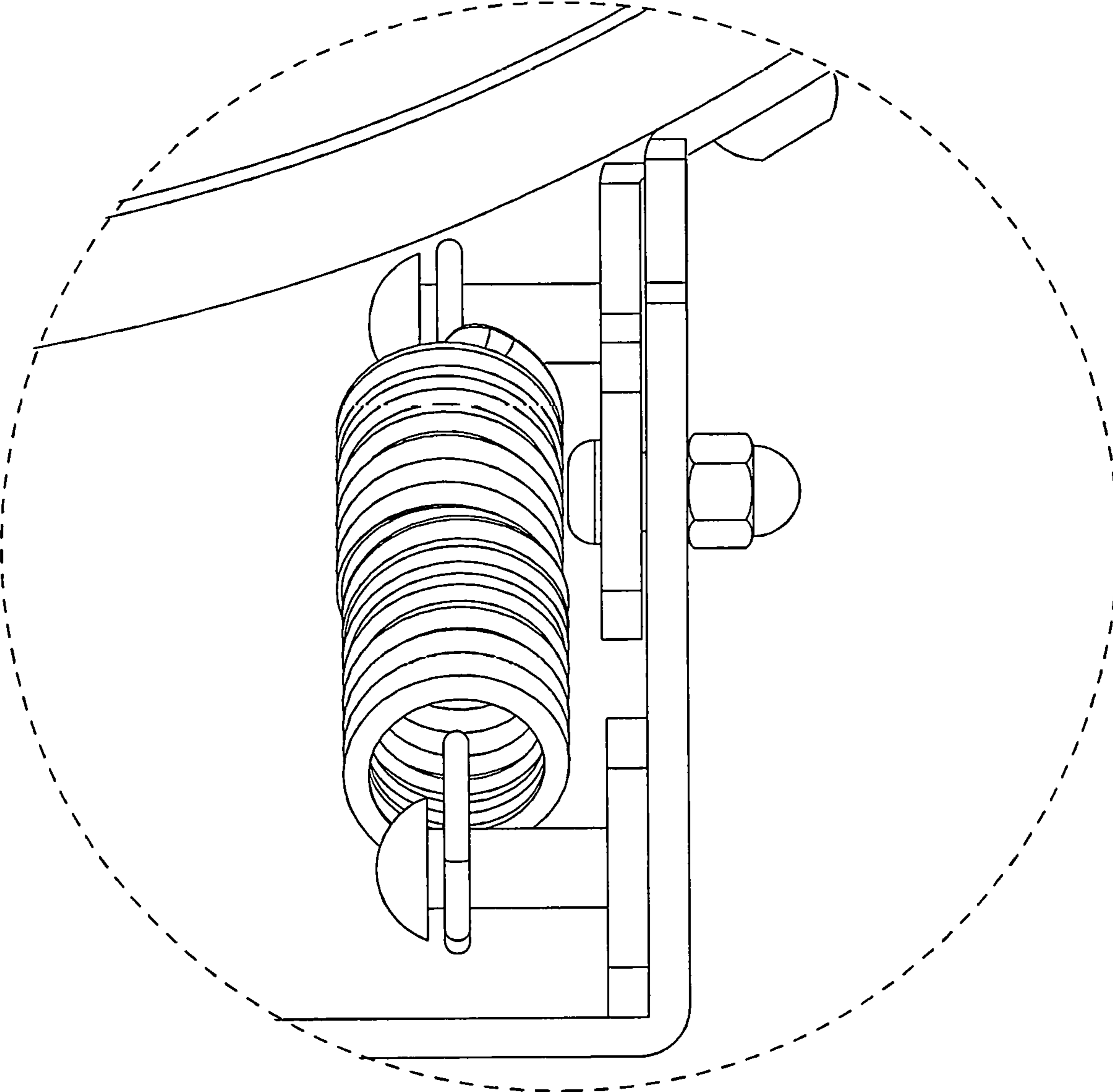


FIG. 12