

US00D965371S

(12) **United States Design Patent** (10) **Patent No.:** **US D965,371 S**  
**Lu** (45) **Date of Patent:** **\*\* Oct. 4, 2022**

(54) **ELECTRIC KETTLE**  
(71) Applicant: **MIDEA GROUP CO., LTD.**, Foshan (CN)  
(72) Inventor: **Wenquan Lu**, Guangdong (CN)  
(73) Assignee: **MIDEA GROUP CO., LTD.**, Foshan (CN)  
(\*\*) Term: **15 Years**  
(21) Appl. No.: **35/511,260**  
(22) Filed: **Nov. 2, 2020**  
(80) **Hague Agreement Data**  
Int. Filing Date: **Nov. 2, 2020**  
Int. Reg. No.: **DM/212332**  
Int. Reg. Date: **Nov. 2, 2020**  
Int. Reg. Pub. Date: **Jan. 29, 2021**

D343,983 S \* 2/1994 Tardif ..... D7/319  
5,339,978 A \* 8/1994 Coppier ..... B65D 45/025  
220/912  
D366,388 S \* 1/1996 Alessi Anghini ..... D7/317  
5,690,094 A \* 11/1997 Sheinfeld ..... A47J 36/26  
431/255  
D389,369 S \* 1/1998 Hippen ..... D7/319  
D390,743 S \* 2/1998 Saltet ..... D7/319  
5,841,108 A \* 11/1998 Lacombe ..... H05B 3/50  
219/441  
D413,481 S \* 9/1999 Choi ..... D7/322  
D439,466 S \* 3/2001 Bouhuys ..... D7/319  
D445,628 S \* 7/2001 McGroary ..... D7/317  
D448,235 S \* 9/2001 Jørgensen ..... D7/319  
D454,468 S \* 3/2002 Mano ..... D7/317  
D465,121 S \* 11/2002 Mulle ..... D7/319  
D475,233 S \* 6/2003 De Visser ..... D7/317  
D478,766 S \* 8/2003 Questelles ..... D7/319  
D498,384 S \* 11/2004 McWilliam ..... D7/319  
D498,638 S \* 11/2004 Morrison ..... D7/319  
D512,597 S \* 12/2005 Bjørn ..... D7/316  
D544,288 S \* 6/2007 Berlencourt ..... D7/319  
D553,898 S \* 10/2007 De' Longhi ..... D7/312

(Continued)

Primary Examiner — Steven J Czyz

(30) **Foreign Application Priority Data**  
Aug. 20, 2020 (CN) ..... 202030481063.X  
(51) **LOC (13) Cl.** ..... **07-02**  
(52) **U.S. Cl.**  
USPC ..... **D7/318**  
(58) **Field of Classification Search**  
USPC ..... D7/300, 301, 302, 309, 312, 313, 314,  
D7/316, 317, 318, 319, 321, 322, 619.1,  
D7/622, 354  
CPC ..... A47J 27/06; A47J 27/21; A47J 27/21008;  
A47J 27/212; A47G 19/12; A47G 19/14;  
A47G 19/127  
See application file for complete search history.

(56) **References Cited**  
U.S. PATENT DOCUMENTS

D305,853 S \* 2/1990 Zimmermann ..... D7/319  
D323,951 S \* 2/1992 Inoue ..... D7/319

(57) **CLAIM**

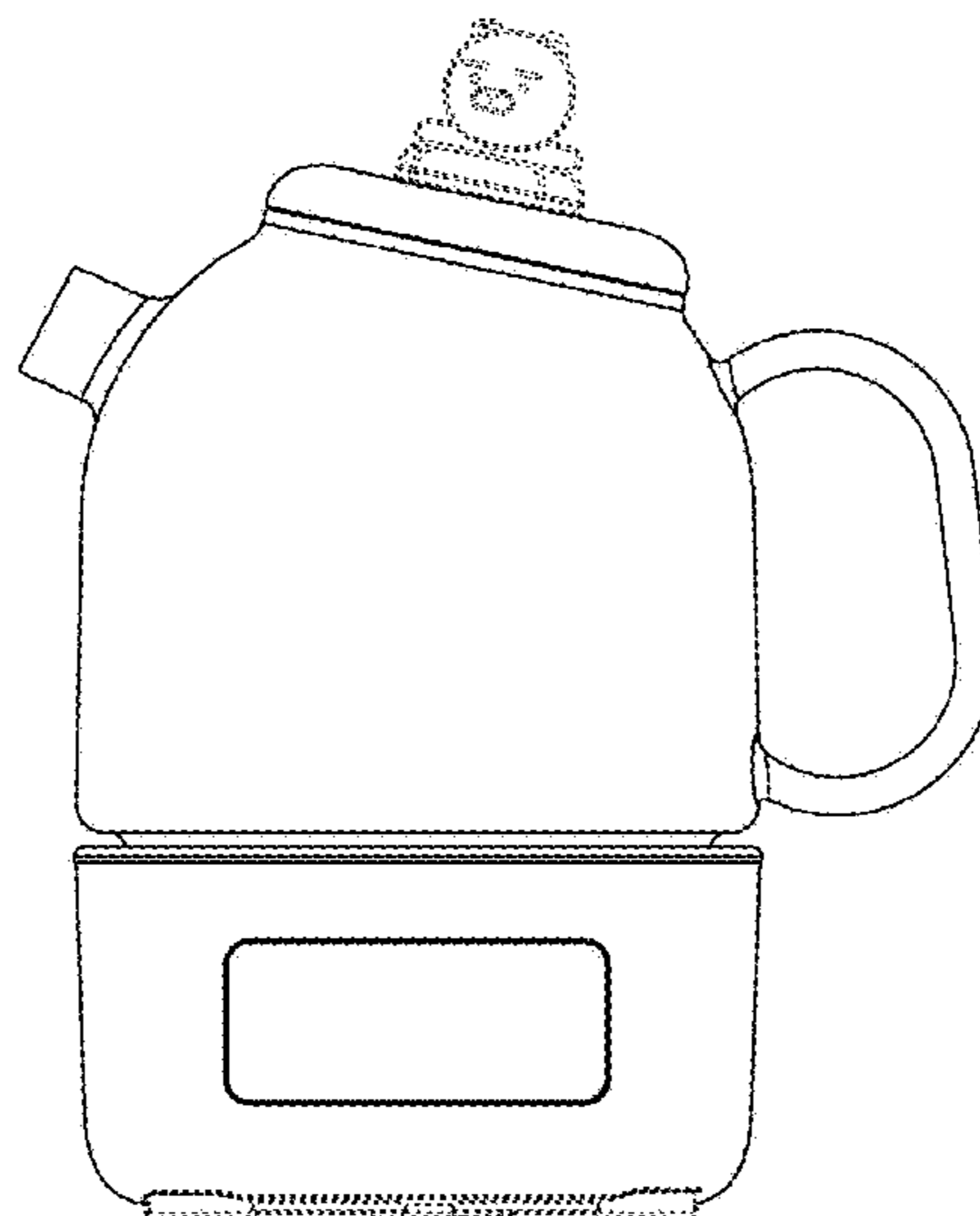
The ornamental design for an electric kettle, as shown and described.

**DESCRIPTION**

- 1. Electric kettle
- 1.1 Front
- 1.2 Back
- 1.3 Left
- 1.4 Right
- 1.5 Top
- 1.6 Bottom
- 1.7 Perspective

The broken lines shown in the reproductions depict portions of the electric kettle that form no part of the claimed design.

**1 Claim, 7 Drawing Sheets**



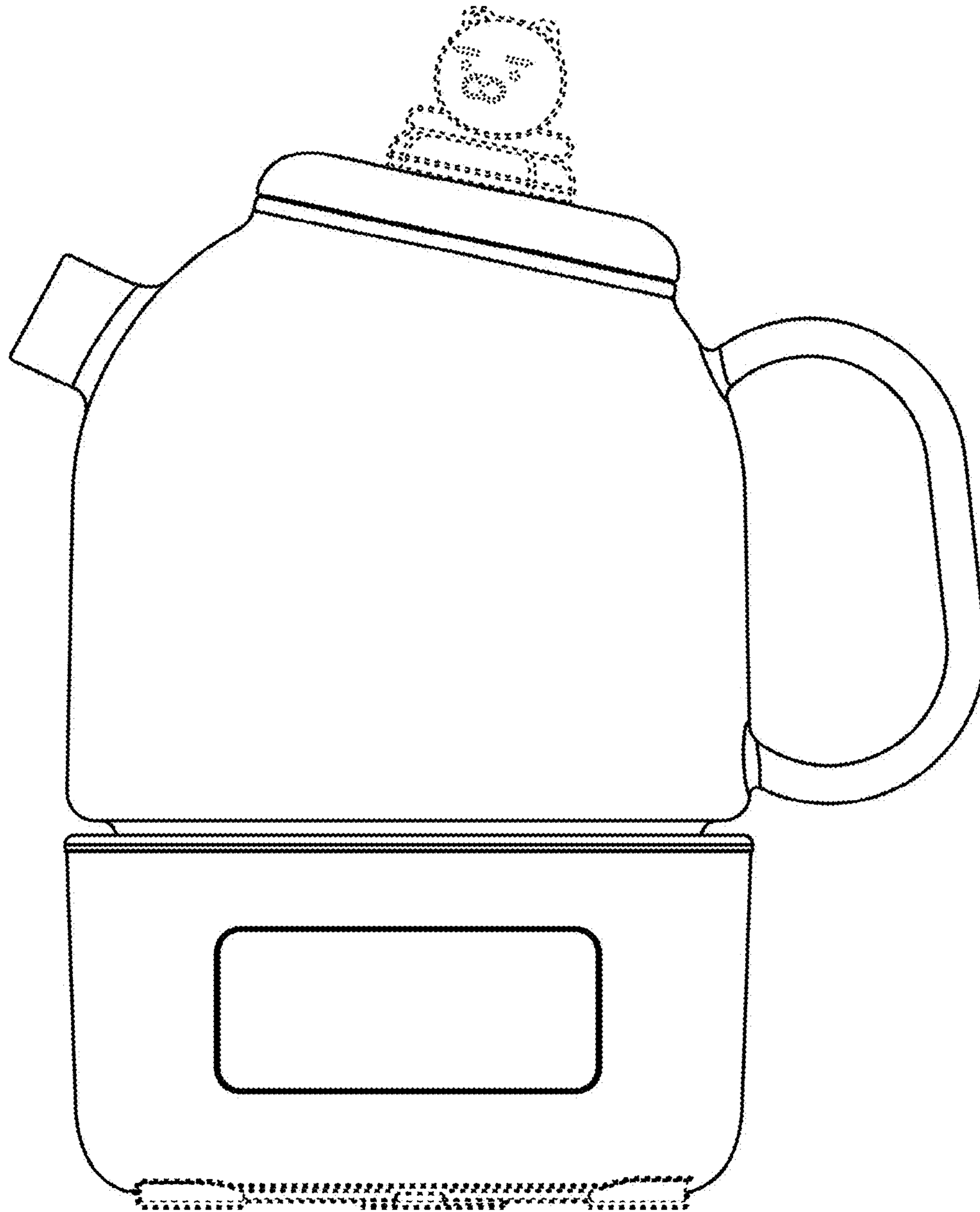
(56)

References Cited

U.S. PATENT DOCUMENTS

D562,053	S	*	2/2008	Cohen	.....	D7/322
D568,667	S	*	5/2008	Appleton	.....	D7/319
D581,718	S	*	12/2008	Verdun	.....	D7/319
D584,559	S	*	1/2009	Bodum	.....	D7/319
D587,059	S	*	2/2009	Bodum	.....	D7/319
D587,513	S	*	3/2009	Bodum	.....	D7/319
D595,534	S	*	7/2009	Mankowitz	.....	D7/319
D598,696	S	*	8/2009	Bodum	.....	D7/319
D599,160	S	*	9/2009	Cooling	.....	D7/319
D599,161	S	*	9/2009	Friel, Sr.	.....	D7/319
D603,209	S	*	11/2009	Bodum	.....	D7/319
D603,647	S	*	11/2009	Bodum	.....	D7/317
D607,686	S	*	1/2010	Elissen	.....	D7/319
D608,133	S	*	1/2010	Choi	.....	D7/319
D611,288	S	*	3/2010	Bodum	.....	D7/319
D622,090	S	*	8/2010	Bodum	.....	D7/319
D624,348	S	*	9/2010	Bodum	.....	D7/319
D628,008	S	*	11/2010	Dahlstrom	.....	D7/319
D630,463	S	*	1/2011	Picozza	.....	D7/317
D630,882	S	*	1/2011	Cohen	.....	D7/317
D658,925	S	*	5/2012	Horimoto	.....	D7/319
D680,792	S	*	4/2013	Bodum	.....	D7/319
D682,600	S	*	5/2013	De Leo	.....	D7/319
D685,219	S	*	7/2013	Ciampa	.....	D7/319
D686,034	S	*	7/2013	Bodum	.....	D7/322
D686,864	S	*	7/2013	Poul	.....	D7/317
D688,909	S	*	9/2013	Chapman	.....	D7/317
D692,715	S	*	11/2013	Tsui	.....	D7/312
D709,724	S	*	7/2014	Mander	.....	D7/322
D714,581	S	*	10/2014	Shao	.....	D7/319
D717,092	S	*	11/2014	Kotani	.....	D7/319
D718,970	S	*	12/2014	Chen	.....	D7/322
D718,974	S	*	12/2014	De'Longhi	.....	D7/321
D726,485	S	*	4/2015	Mullen	.....	D7/319
D726,486	S	*	4/2015	Averty	.....	D7/319
D727,085	S	*	4/2015	Kotani	.....	D7/319
D727,675	S	*	4/2015	Garvey	.....	D7/322
D738,669	S	*	9/2015	Brook	.....	D7/317
D747,130	S	*	1/2016	Kunz	.....	D7/319
D752,375	S	*	3/2016	Maitland	.....	D7/317
D752,911	S	*	4/2016	Bazzicalupo	.....	D7/322
D769,665	S	*	10/2016	Friel, Jr	.....	D7/312
D777,500	S	*	1/2017	Lee	.....	D7/319
D779,259	S	*	2/2017	De' Longhi	.....	D7/322
D779,260	S	*	2/2017	De' Longhi	.....	D7/321
D788,511	S	*	6/2017	Powell	.....	D7/318
D789,725	S	*	6/2017	Kestenbaum	.....	D7/317
D789,726	S	*	6/2017	Adeloju	.....	D7/319
D795,630	S	*	8/2017	McLean	.....	D7/319
D796,247	S	*	9/2017	Bazzicalupo	.....	D7/322
D799,257	S	*	10/2017	Melzer	.....	D7/317
D807,102	S	*	1/2018	Bodum	.....	D7/318
D816,384	S	*	5/2018	Naden	.....	D7/317
D817,065	S	*	5/2018	Chen	.....	D7/319
D818,756	S	*	5/2018	Averty	.....	D7/319
D824,715	S	*	8/2018	Bradshaw	.....	D7/300
D825,246	S	*	8/2018	Basara	.....	D7/300
D827,355	S	*	9/2018	Powell	.....	D7/318
D834,884	S	*	12/2018	McConnell	.....	D7/397
D856,732	S	*	8/2019	Ren	.....	D7/318
D856,734	S	*	8/2019	Lee	.....	D7/318
10,420,432	B1	*	9/2019	Krawczyk	.....	A47G 19/12
D862,964	S	*	10/2019	Tokoi	.....	D7/318
D864,646	S	*	10/2019	Josancy	.....	D7/319
D864,648	S	*	10/2019	Josancy	.....	D7/319
D868,524	S	*	12/2019	Miller	.....	D7/316
D872,515	S	*	1/2020	Powell	.....	D7/319
D876,869	S	*	3/2020	Ha	.....	D7/311
D878,135	S	*	3/2020	Bodum	.....	D7/317
D878,848	S	*	3/2020	Hu	.....	D7/317
D879,536	S	*	3/2020	Fisher Wong	.....	D7/319
D880,925	S	*	4/2020	Saul	.....	D7/317
D880,926	S	*	4/2020	Thun	.....	D7/317
D883,728	S	*	5/2020	Gort-Barten	.....	A47J 37/00
						D7/319
D884,406	S	*	5/2020	Krawczyk	.....	D7/312
D885,107	S	*	5/2020	Katsunuma	.....	D7/312
D885,110	S	*	5/2020	Katsunuma	.....	D7/312
D885,840	S	*	6/2020	Song	.....	D7/518
D889,894	S	*	7/2020	Hu	.....	D7/319
D889,896	S	*	7/2020	Liu	.....	D7/322
D899,174	S	*	10/2020	Gordon	.....	D7/318
D918,636	S	*	5/2021	Mangiarotti	.....	D7/318
D928,543	S	*	8/2021	Jin	.....	D7/319
D937,028	S	*	11/2021	Josancy	.....	D7/319
D943,333	S	*	2/2022	Wu	.....	D7/319
D943,334	S	*	2/2022	Wu	.....	D7/319
D946,960	S	*	3/2022	Wu	.....	D7/318
D946,970	S	*	3/2022	Minard	.....	D7/412
2001/0052516	A1	*	12/2001	Chan	.....	A47J 31/4457
						219/438
2004/0149729	A1	*	8/2004	Kressmann	.....	A47J 27/21091
						219/494
2007/0000906	A1	*	1/2007	Kaastra	.....	A47J 27/21
						219/441
2007/0169629	A1	*	7/2007	Shao	.....	A47J 31/303
						99/275
2012/0091117	A1	*	4/2012	Cheng	.....	A47J 27/2105
						219/385
2016/0192803	A1	*	7/2016	Doyle	.....	A47J 27/21008
						219/439
2016/0374500	A1	*	12/2016	Bugatti	.....	A47J 27/21141
						219/435
2017/0020325	A1	*	1/2017	Davis	.....	A47J 27/12
2017/0135513	A1	*	5/2017	Geurts	.....	A47J 27/2105
2018/0296025	A1	*	10/2018	Pan	.....	A47J 31/0626
2019/0104880	A1	*	4/2019	Ghalambor Dezfuli	.....	A47J 31/005
						A47J 31/005
2019/0285456	A1	*	9/2019	Watanabe	.....	G01F 22/00
2020/0037806	A1	*	2/2020	Farhamandfar	.....	A47J 27/21191
2020/0268190	A1	*	8/2020	Psarologos	.....	G05D 23/19
2020/0297144	A1	*	9/2020	Ahn	.....	A47J 27/21191
2020/0297145	A1	*	9/2020	Park	.....	A47J 27/2105
2020/0297147	A1	*	9/2020	Ahn	.....	A47J 27/21066
2020/0297148	A1	*	9/2020	Park	.....	A47J 27/21166
2020/0297149	A1	*	9/2020	Park	.....	A47J 27/21166
2020/0297151	A1	*	9/2020	Park	.....	A47J 27/21166
2021/0100391	A1	*	4/2021	Moon	.....	A47J 27/088

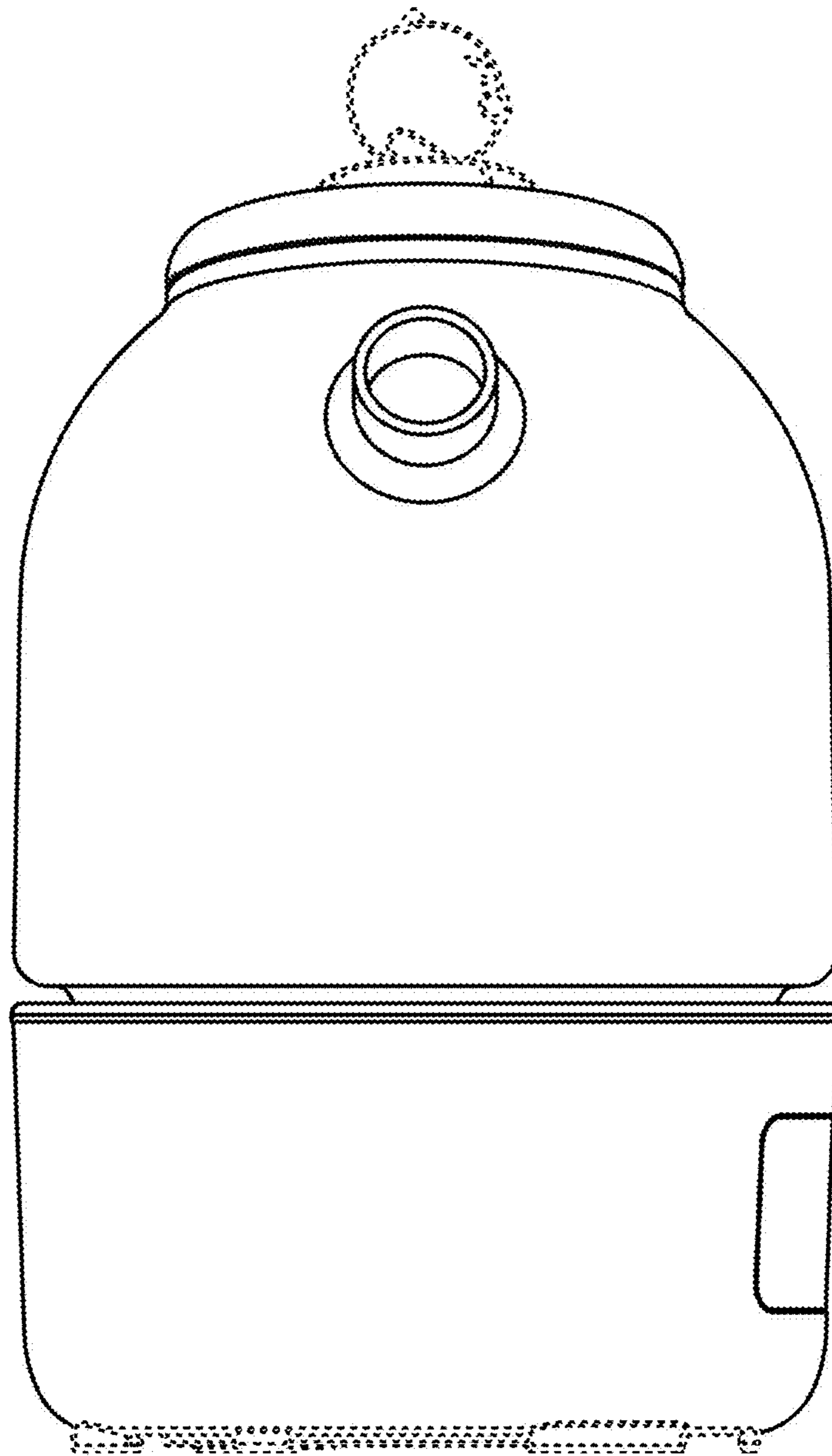
\* cited by examiner



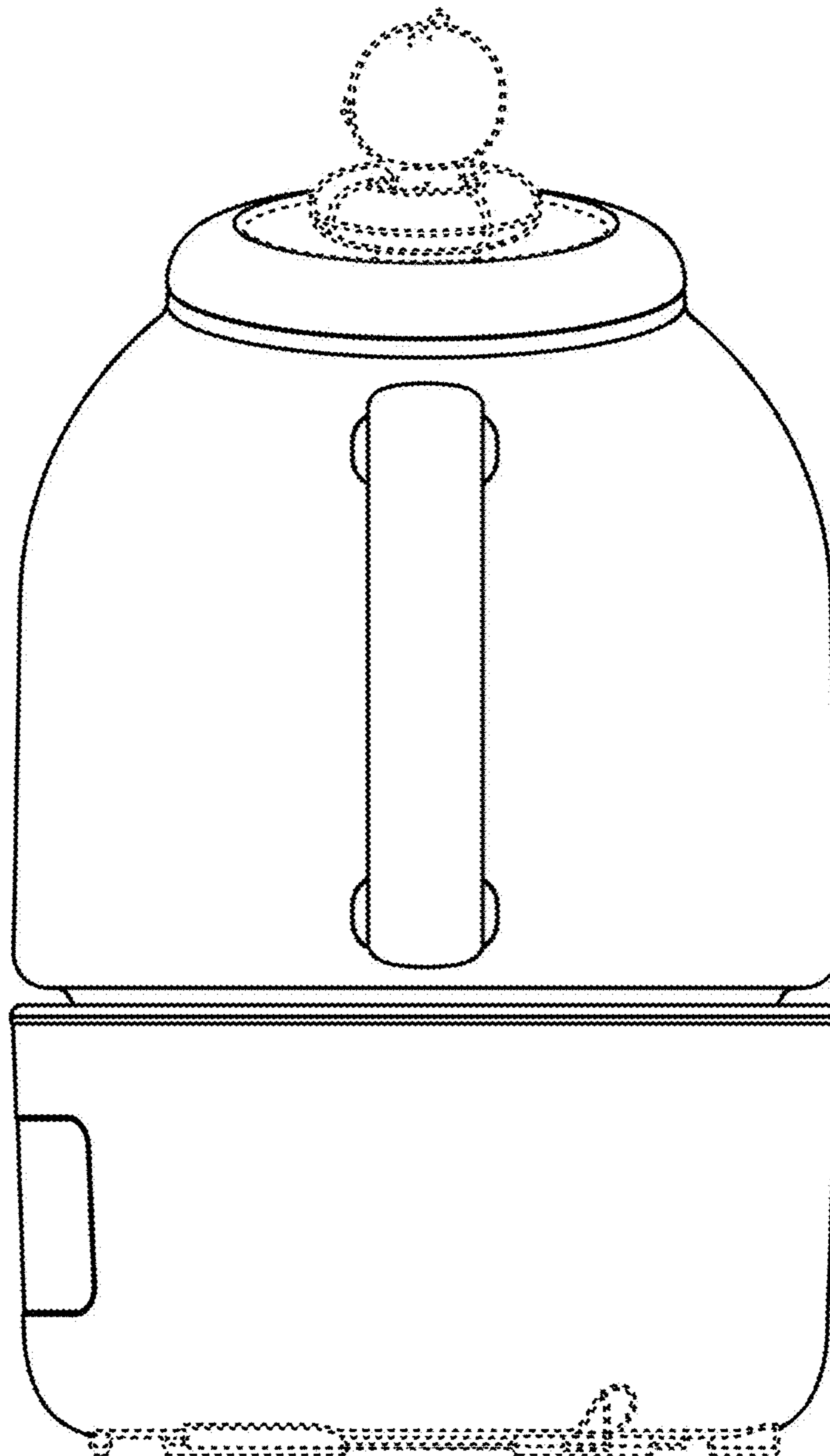
1.1



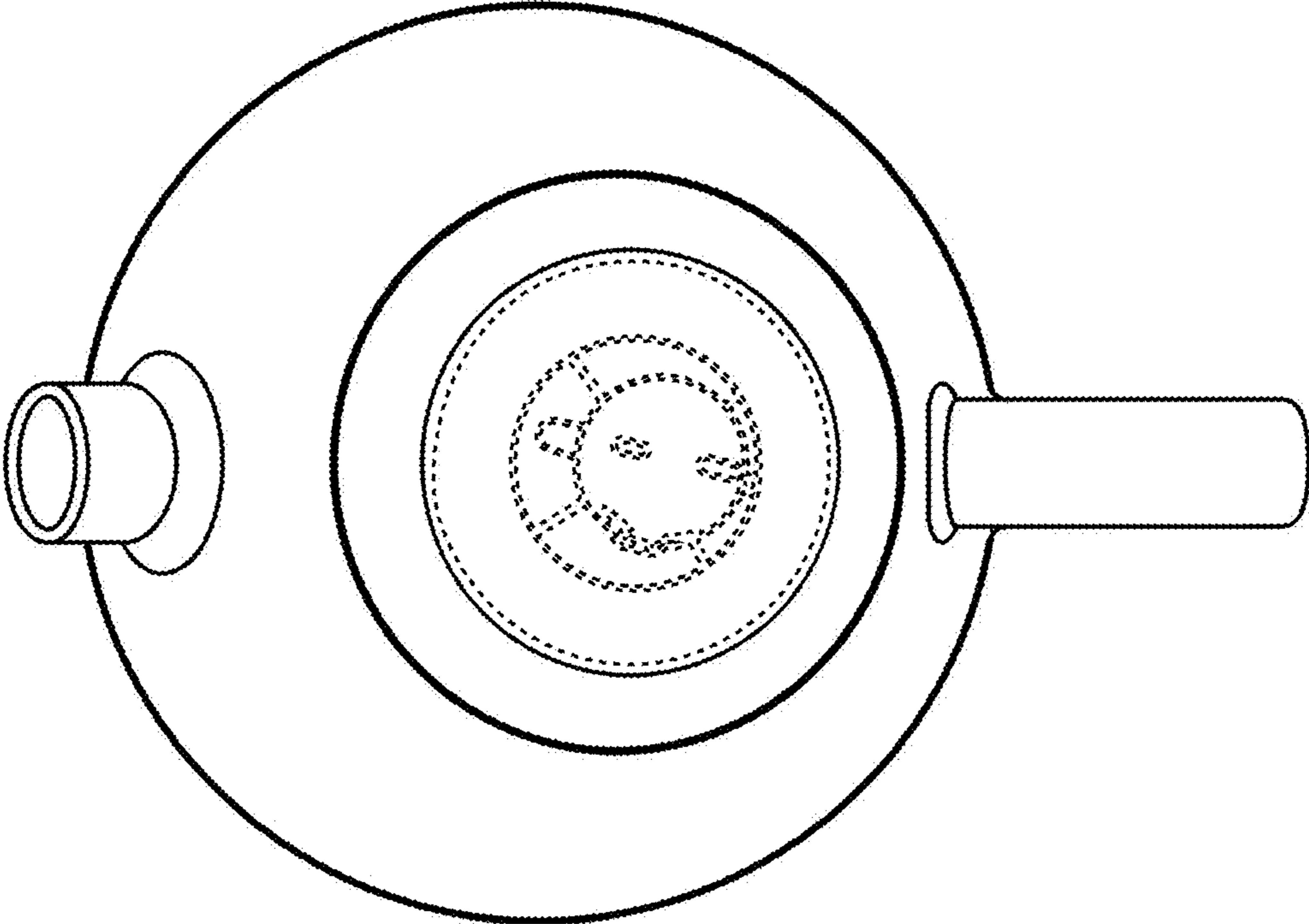
1.2

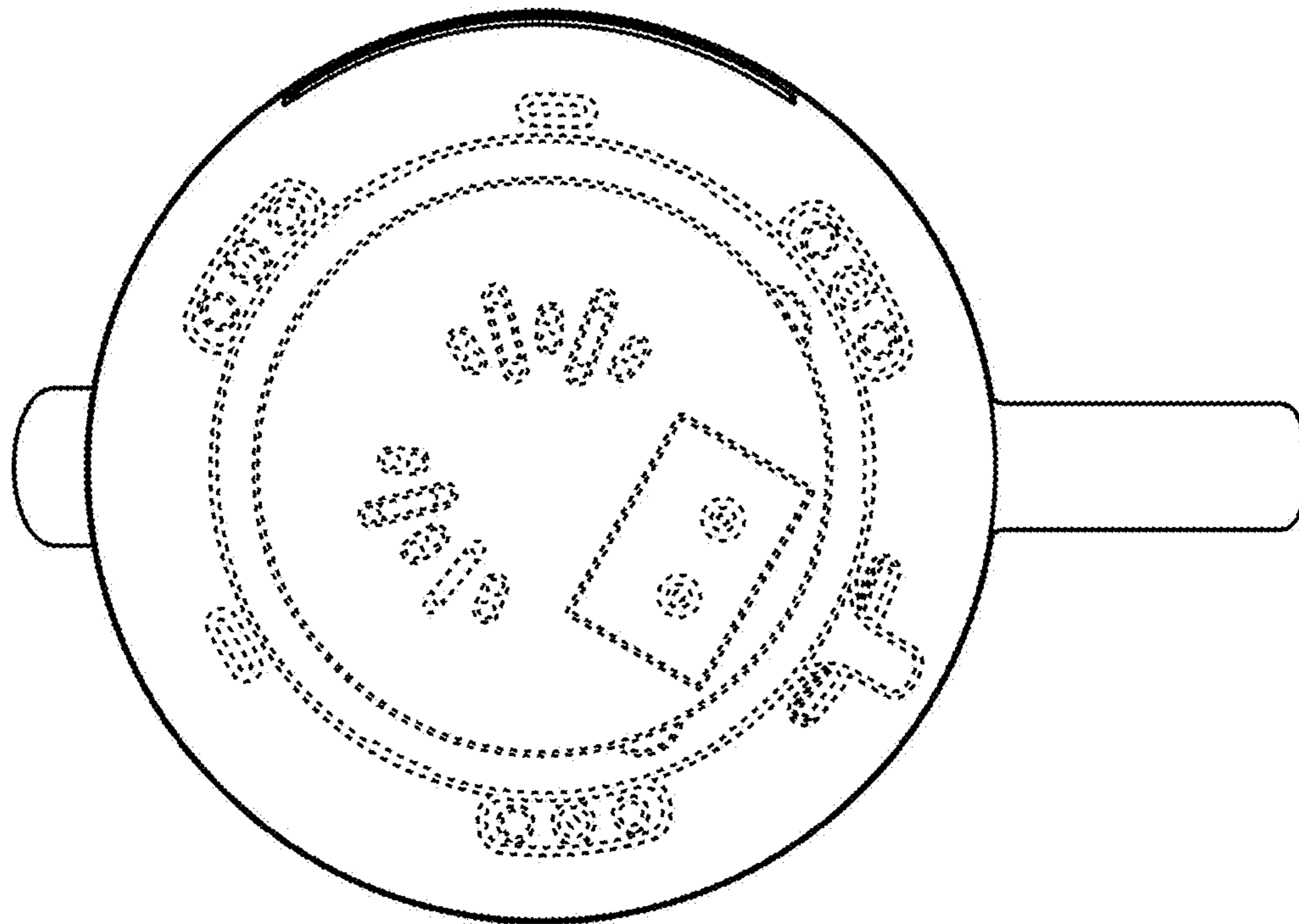


1.3

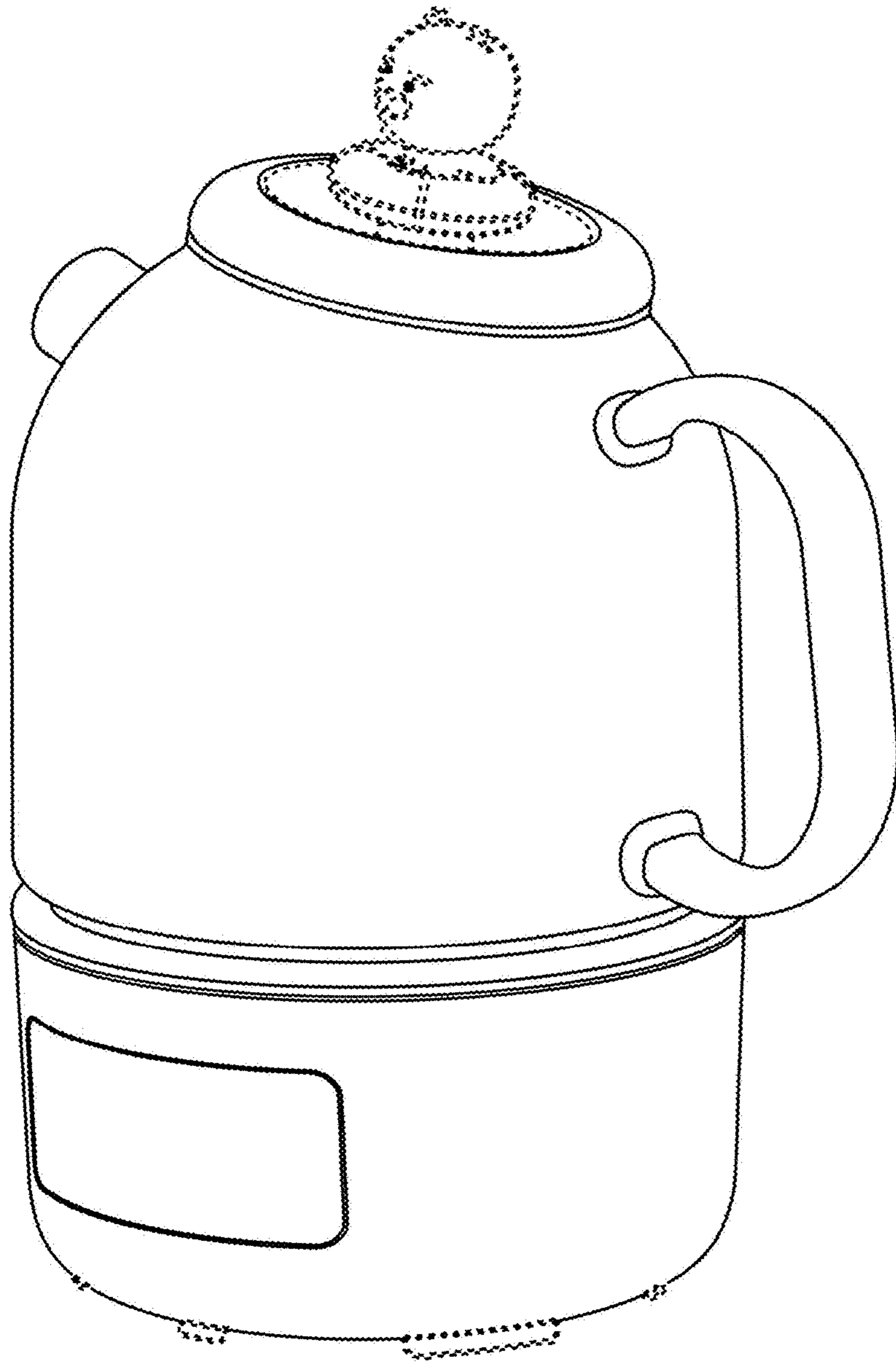


1.4









1.7