



US00D965370S

(12) **United States Design Patent** (10) **Patent No.:** **US D965,370 S**  
**Ben Baruch et al.** (45) **Date of Patent:** **\*\* Oct. 4, 2022**

(54) **WATER DISPENSER WITH STEAM STERILIZER**

(71) Applicant: **STRAUSS WATER LTD**, Or Yehuda (IL)

(72) Inventors: **Omer Ben Baruch**, Kiryat Ono (IL); **Meital Shafir**, Kiryat Ono (IL)

(73) Assignee: **STRAUSS WATER LTD**, Or Yehuda (IL)

(\*\*) Term: **15 Years**

(21) Appl. No.: **29/725,876**

(22) Filed: **Feb. 27, 2020**

(30) **Foreign Application Priority Data**

Sep. 3, 2019 (IL) ..... 64145

(51) **LOC (13) Cl.** ..... **07-01**

(52) **U.S. Cl.**  
USPC ..... **D7/313; D7/311**

(58) **Field of Classification Search**  
USPC ..... D7/300, 305-313, 316, 317, 319-322, D7/354, 359, 367, 372, 373, 376, 386,  
(Continued)

(56) **References Cited**

**U.S. PATENT DOCUMENTS**

D462,865 S \* 9/2002 Honan ..... A47J 31/4403  
D7/309  
D473,281 S \* 4/2003 Jansson ..... A47J 31/407  
D23/207

(Continued)

**FOREIGN PATENT DOCUMENTS**

BR 302012005900-0001 \* 11/2012  
CA 161934 \* 11/2015

(Continued)

**OTHER PUBLICATIONS**

Brita, "Brita 636178 FBA\_35034 Water Dispenser and Filter," May 5, 2003, Amazon.com, www.amazon.com/dp/B00009LHZH (Year: 2003).\*

(Continued)

*Primary Examiner* — Joseph Kukella

*Assistant Examiner* — Arva P Adams

(74) *Attorney, Agent, or Firm* — Vorys, Sater, Seymour and Pease LLP; Anthony P. Venturino; Maryellen Feehery Hank

(57) **CLAIM**

The ornamental design for a water dispenser with steam sterilizer, as shown and described.

**DESCRIPTION**

FIG. 1 is a right perspective view of a water dispenser with steam sterilizer showing the new design;

FIG. 2 is a left perspective view of the new design as seen in FIG. 1;

FIG. 3 is a rear left perspective view of the new design as seen in FIG. 1;

FIG. 4 is a rear right perspective view of the new design as seen in FIG. 1;

FIG. 5 is a front top perspective view of the new design as seen in FIG. 1;

FIG. 6 is a top rear perspective view of the new design as seen in FIG. 1;

FIG. 7 is a front view of the new design as seen in FIG. 1;

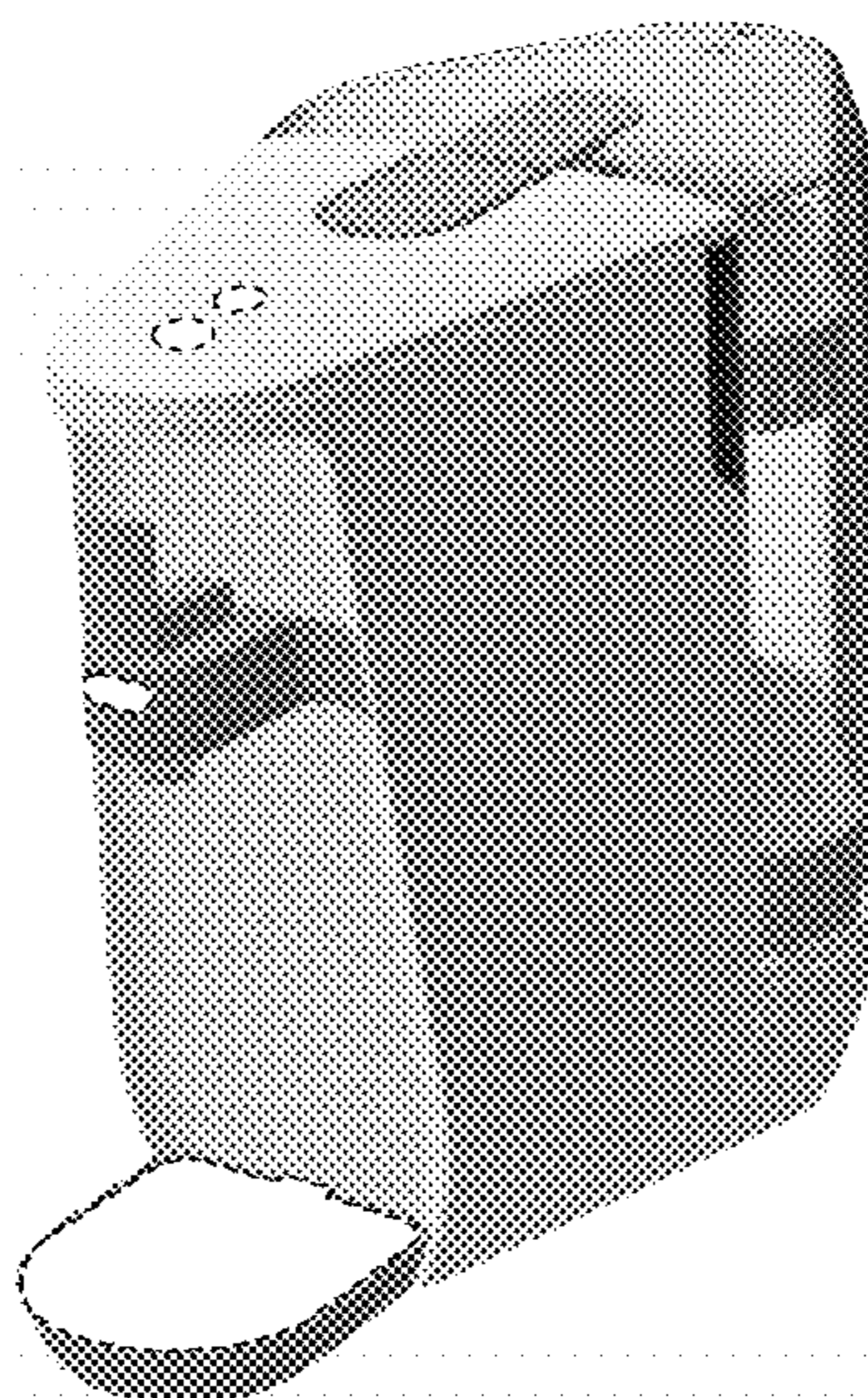
FIG. 8 is a rear view of the new design as seen in FIG. 1;

FIG. 9 is a right view of the new design as seen in FIG. 1;

FIG. 10 is a left view of the new design as seen in FIG. 1; and,

FIG. 11 is a top view of the new design as seen in FIG. 1. The parts colored in white and delineated in dashed lines form no part of the claimed design.

**1 Claim, 11 Drawing Sheets**



(58) **Field of Classification Search**

USPC ..... D7/387, 397-401, 590, 592, 600, 665,  
D7/667, 679, 700; D30/121, 129, 132;  
D15/80-82; D20/1, 4  
CPC ..... A47J 31/02; A47J 31/0573; A47J 31/061;  
A47J 31/0615; A47J 31/0626; A47J  
31/18; A47J 31/24; A47J 31/36; A47J  
31/3633; A47J 31/407; A47J 31/44; A47J  
31/4403; A47J 31/4482; A47J 31/46;  
A47J 31/467; A47J 31/50; A47J 31/52;  
A47J 31/56; A47J 19/00; A47J 19/02;  
A47J 19/023; A47J 19/027; A47J 19/06;  
A47J 2203/00; A47J 27/04; A23F 5/262;  
B65D 85/804; B65D 85/8043; B65D  
2581/3409; B67D 3/00; B67D 1/0004;  
B67D 1/0021; B67D 1/0085; B67D  
1/0086; B67D 1/0857; B67D 1/0867;  
B67D 2001/0087

See application file for complete search history.

(56) **References Cited**

U.S. PATENT DOCUMENTS

D544,744 S \* 6/2007 Colman ..... D7/301  
8,210,095 B2 \* 7/2012 Brezovnik ..... A47J 31/369  
99/295  
D718,565 S \* 12/2014 Spagnolo ..... D7/309  
D723,315 S \* 3/2015 Wilder ..... D7/306  
D747,047 S \* 1/2016 Cornwell ..... A47J 31/369  
D30/122  
D774,848 S \* 12/2016 Flotats Molinas ..... D7/665  
D779,257 S \* 2/2017 Hale ..... D7/306  
D796,885 S \* 9/2017 Wang ..... D7/309  
D817,061 S \* 5/2018 Lissoni ..... D7/309  
D840,733 S \* 2/2019 Hale ..... A47J 31/407  
D7/306  
D853,166 S \* 7/2019 Koury ..... D7/306  
D854,365 S \* 7/2019 Hines ..... A47J 31/32  
D7/306  
D866,236 S \* 11/2019 Zisman ..... D7/306

D878,844 S \* 3/2020 Zisman ..... A47J 31/56  
D7/306  
D879,533 S \* 3/2020 Liuzza ..... D7/306  
D904,817 S \* 12/2020 Chang ..... A47J 31/441  
D7/306  
D929,167 S \* 8/2021 Vul ..... D7/313  
2008/0095904 A1 \* 4/2008 Sullivan ..... A47J 31/32  
426/431  
2009/0020017 A1 \* 1/2009 Lin ..... A47J 31/441  
99/284  
2015/0223635 A1 \* 8/2015 Mulvaney ..... A47J 31/56  
99/281  
2015/0327717 A1 \* 11/2015 Burrows ..... A47J 31/407  
99/295  
2016/0045061 A1 \* 2/2016 Balestier ..... A47J 31/4403  
99/285  
2017/0360241 A1 \* 12/2017 Gudmundsson ..... A47J 31/407

FOREIGN PATENT DOCUMENTS

CN 306029835 \* 9/2020  
CN 306600278 \* 6/2021  
EM 007721006-0001 \* 5/2020  
IL 60613 \* 7/2019  
RU 00089120 \* 6/2014

OTHER PUBLICATIONS

Grindmaster Corporation, "PrecisionBrew," 2004, Grindmaster Corporation, pp. 1, 5, 10. (Year: 2004).\*

Zojirushi, "Zojirushi Automatic Hot Water Dispenser," Jul. 11, 2016, Amazon.com, www.amazon.com/dp/B014ESZVL6 (Year: 2016).\*

WebstaurantStore, "Choice 3 Gallon Black Slim Beverage / Juice Dispenser," Apr. 24, 2018, WebstaurantStore.com, www.webstaurantstore.com/choice-3-gallon-black-slim-beverage-juice-dispenser/176BD3BK2.html (Year: 2018).\*

The Editors, "The Best Hot-Water Dispensers on Amazon, According to Hyperenthusiastic Reviewers," Jun. 19, 2019, The Strategist, https://nymag.com/strategist/article/best-hot-water-dispensers.html (Year: 2019).\*

\* cited by examiner

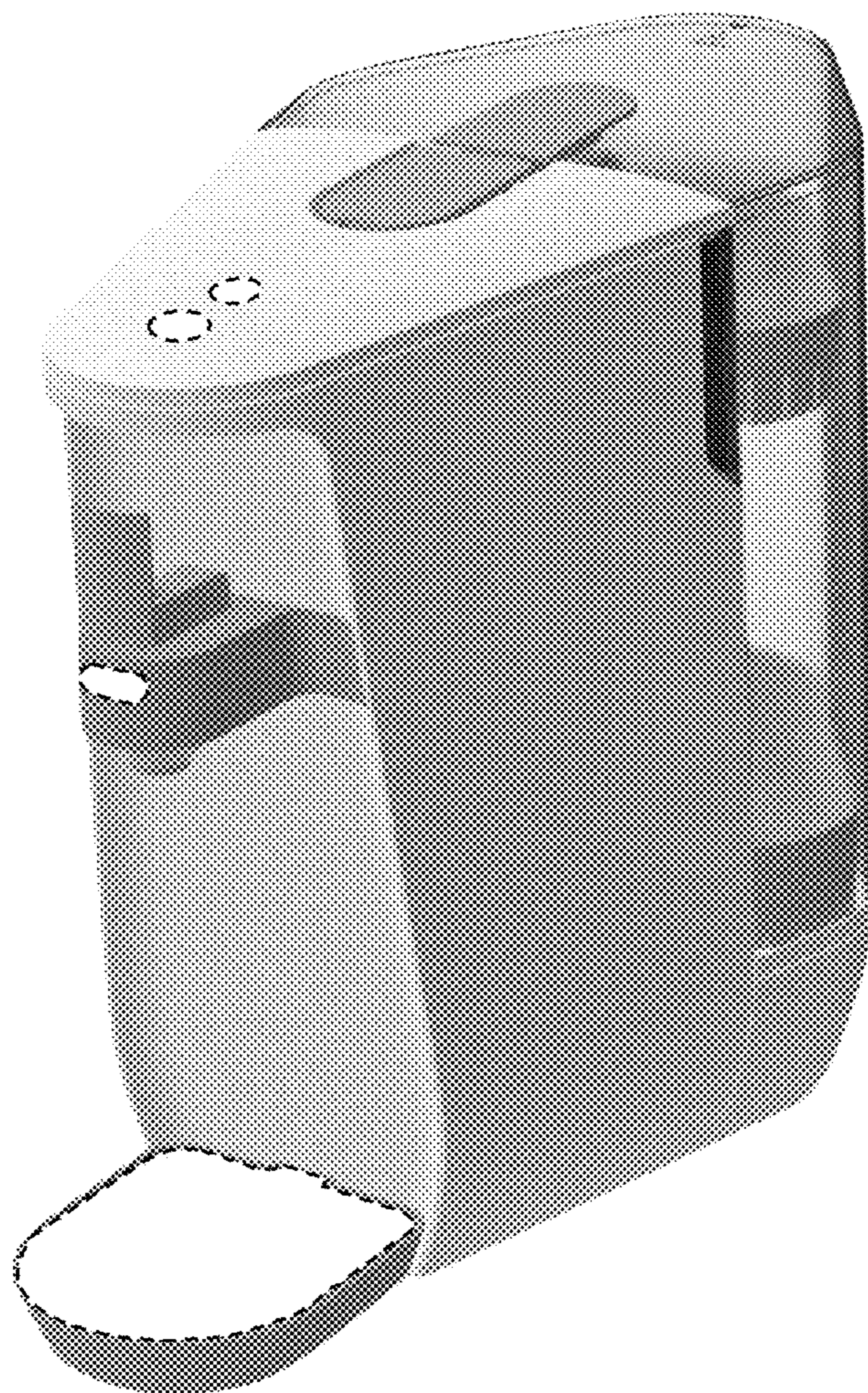


FIG. 1

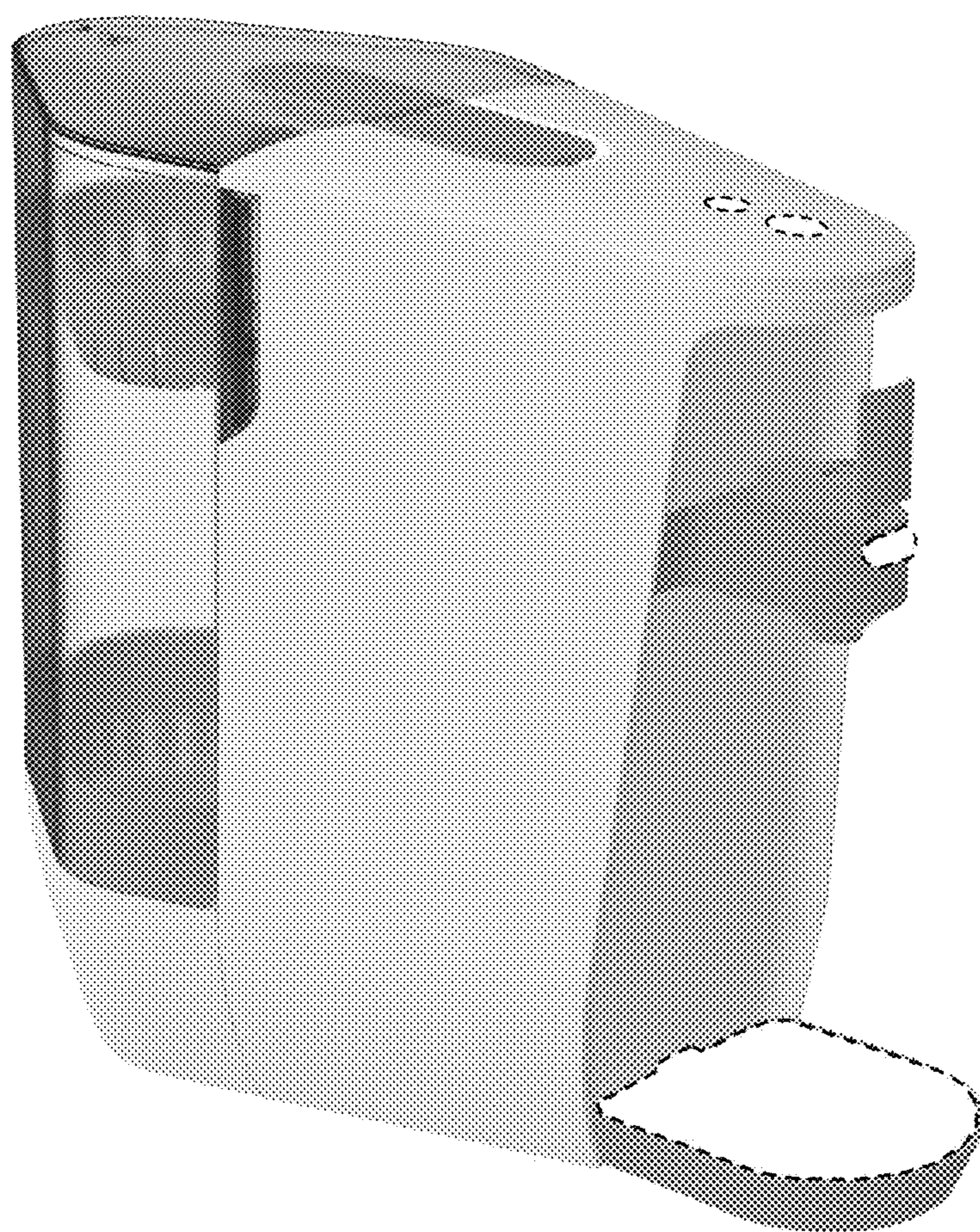


FIG. 2



FIG. 3

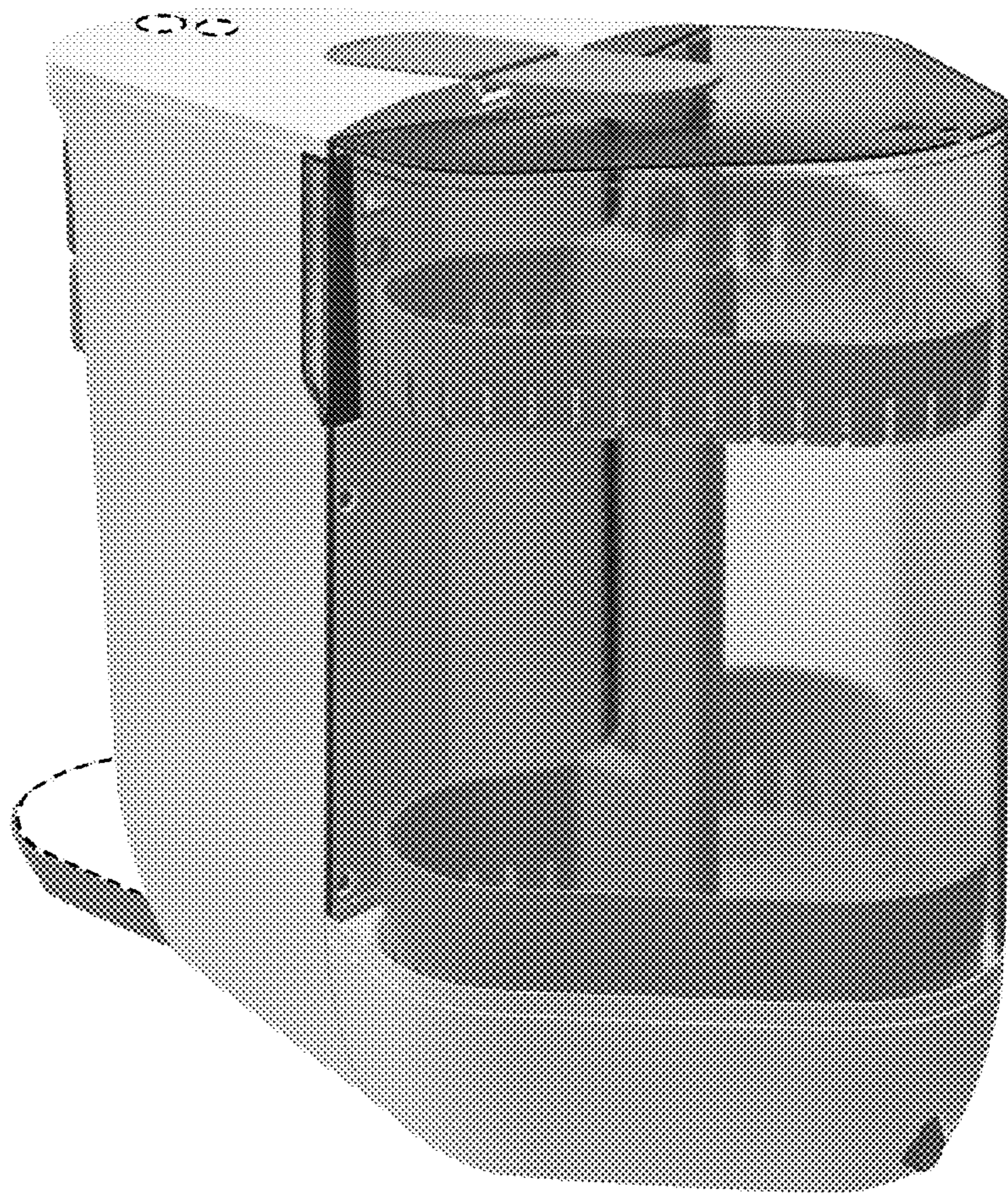


FIG. 4

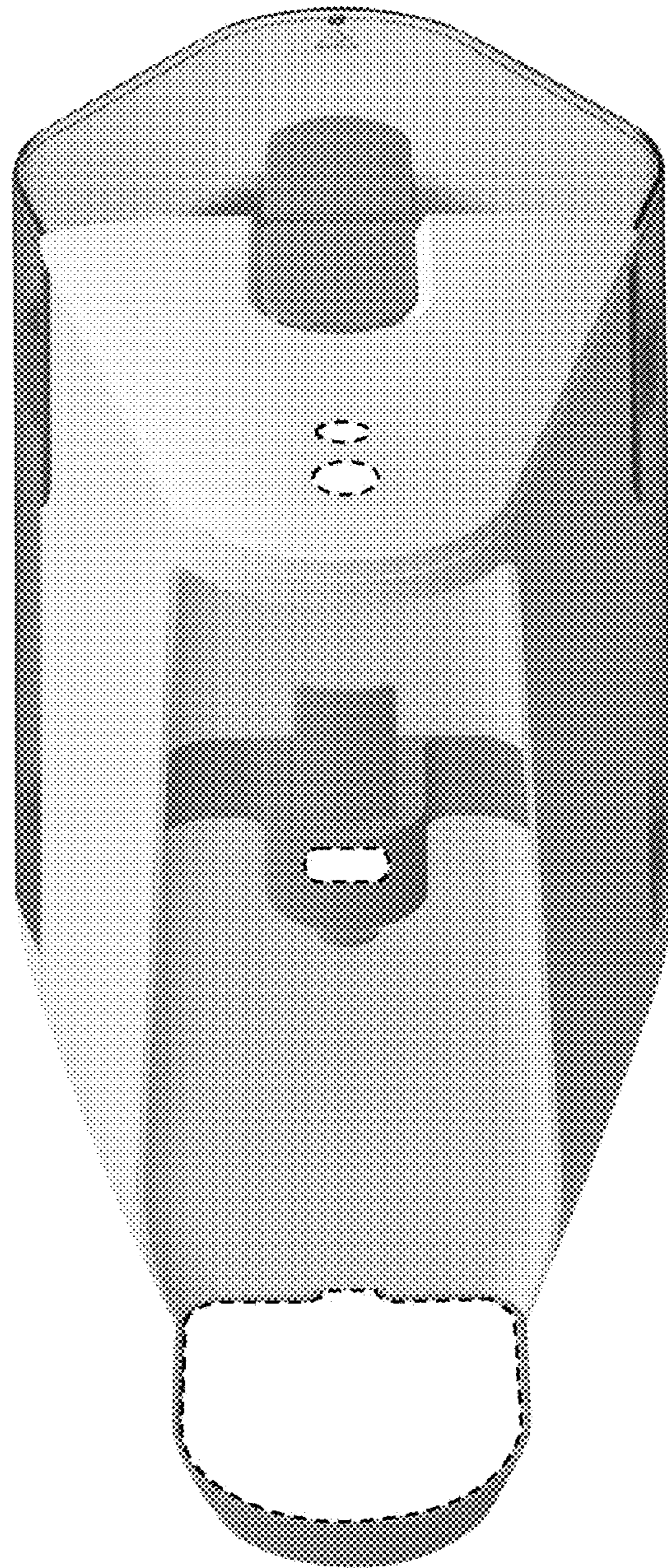


FIG. 5

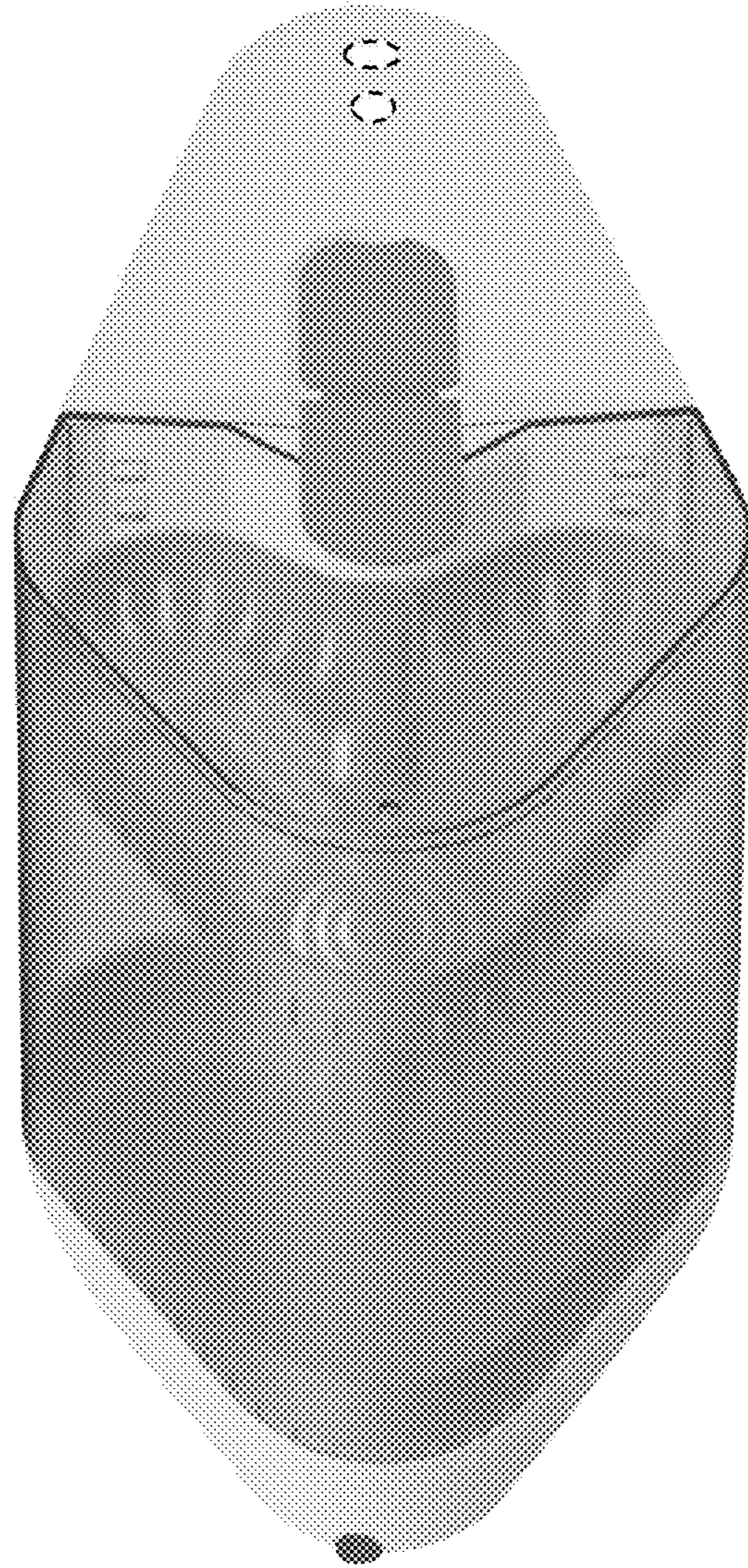


FIG. 6





FIG. 7

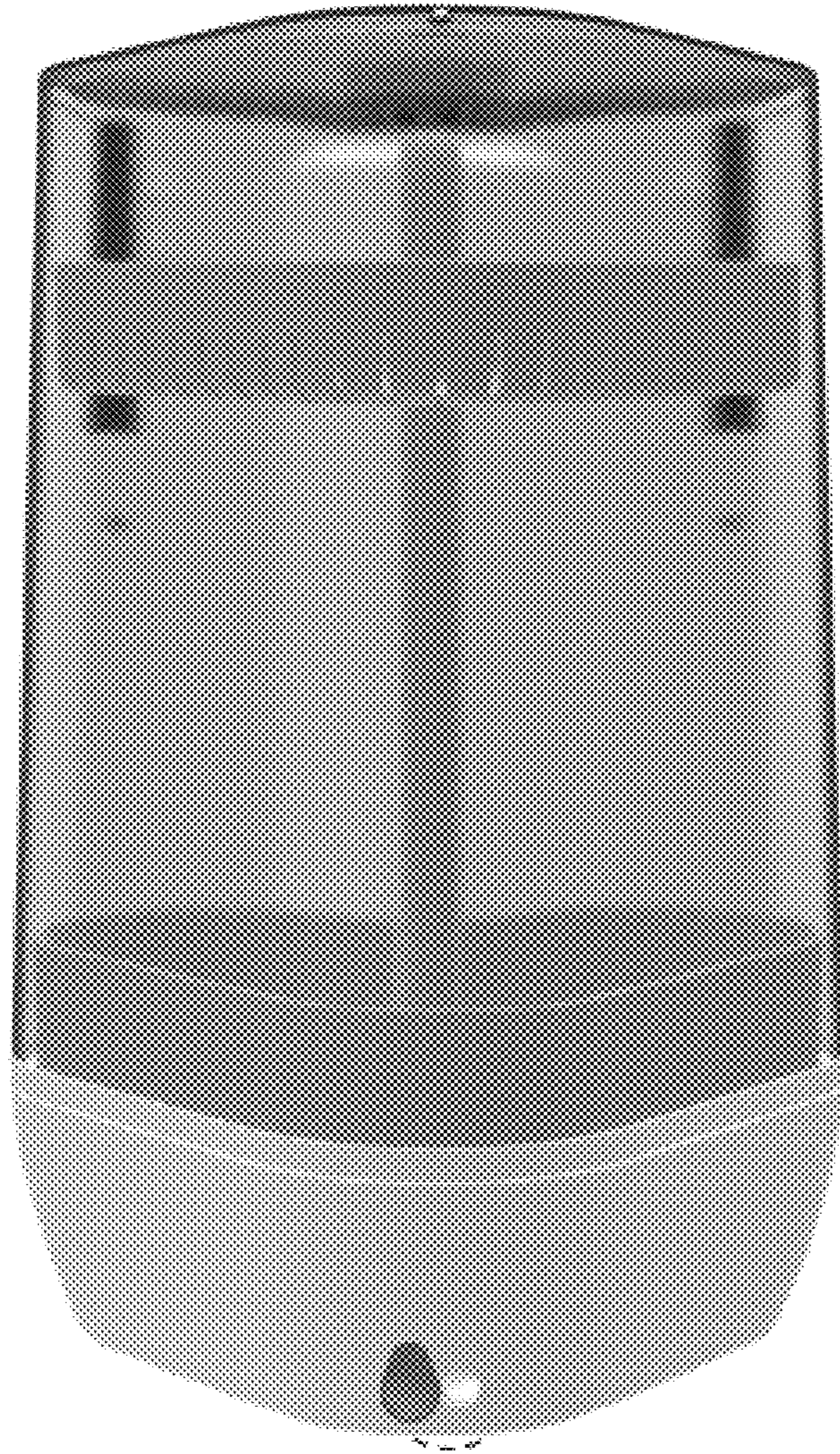


FIG. 8

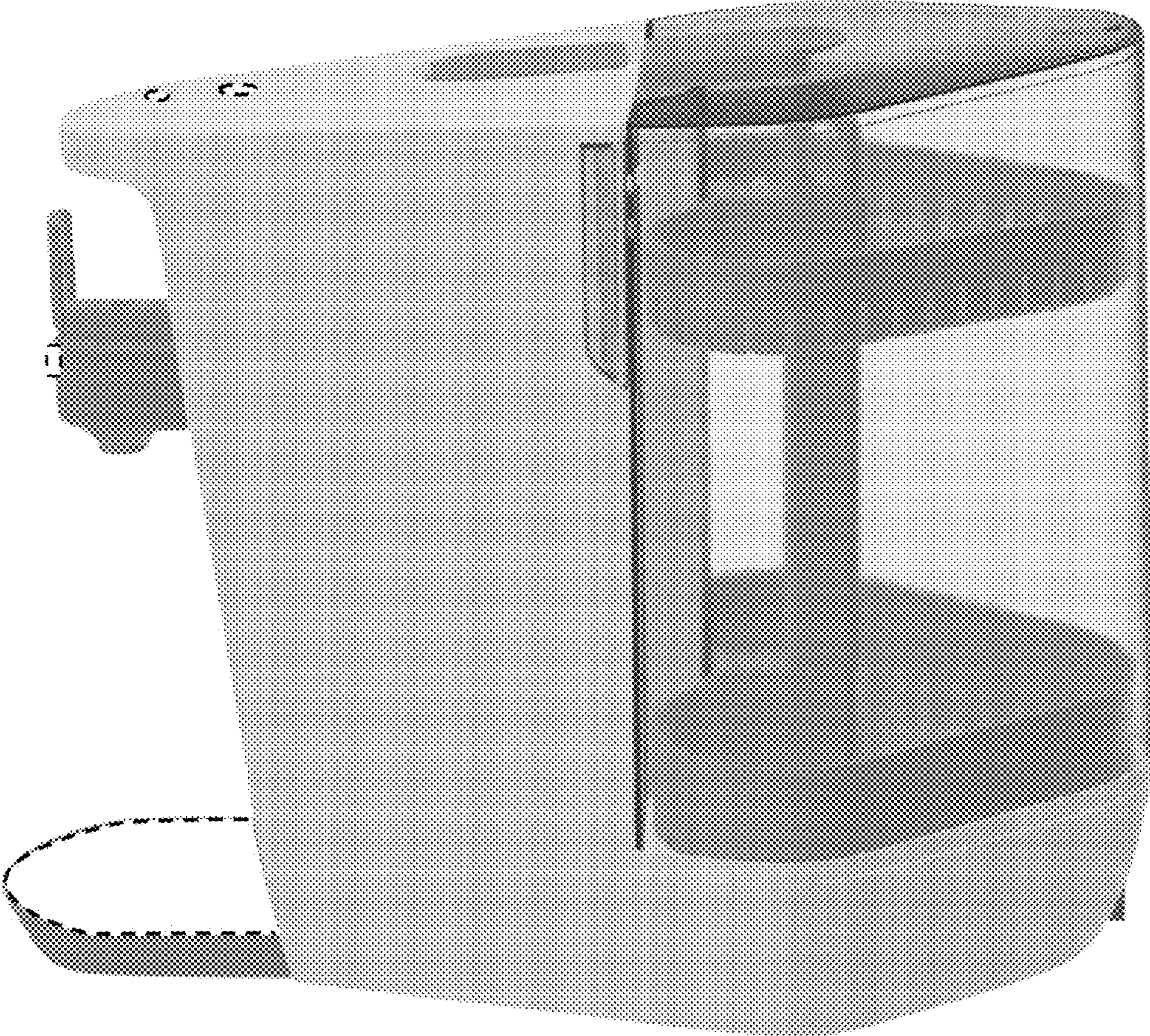


FIG. 9

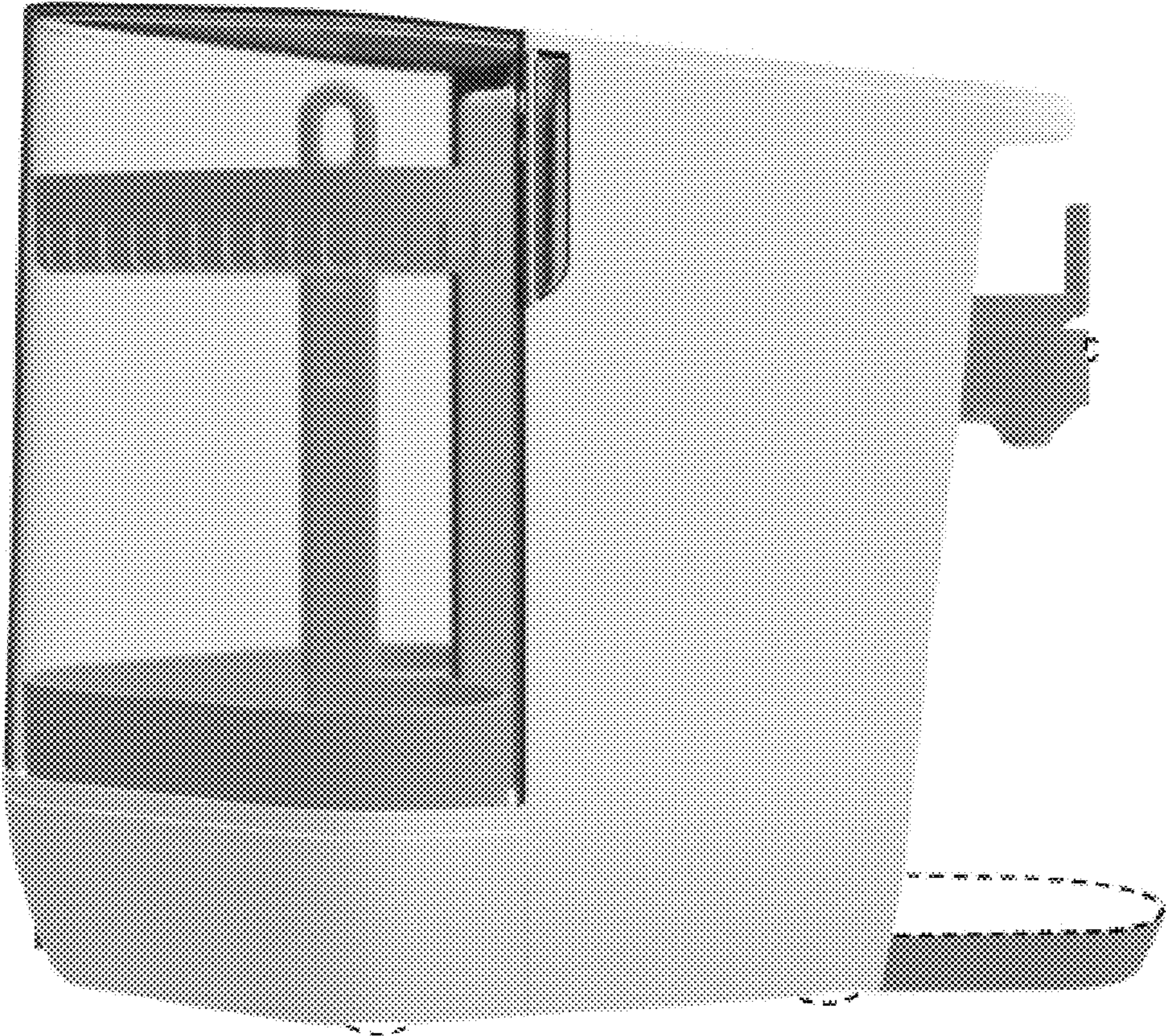


FIG. 10

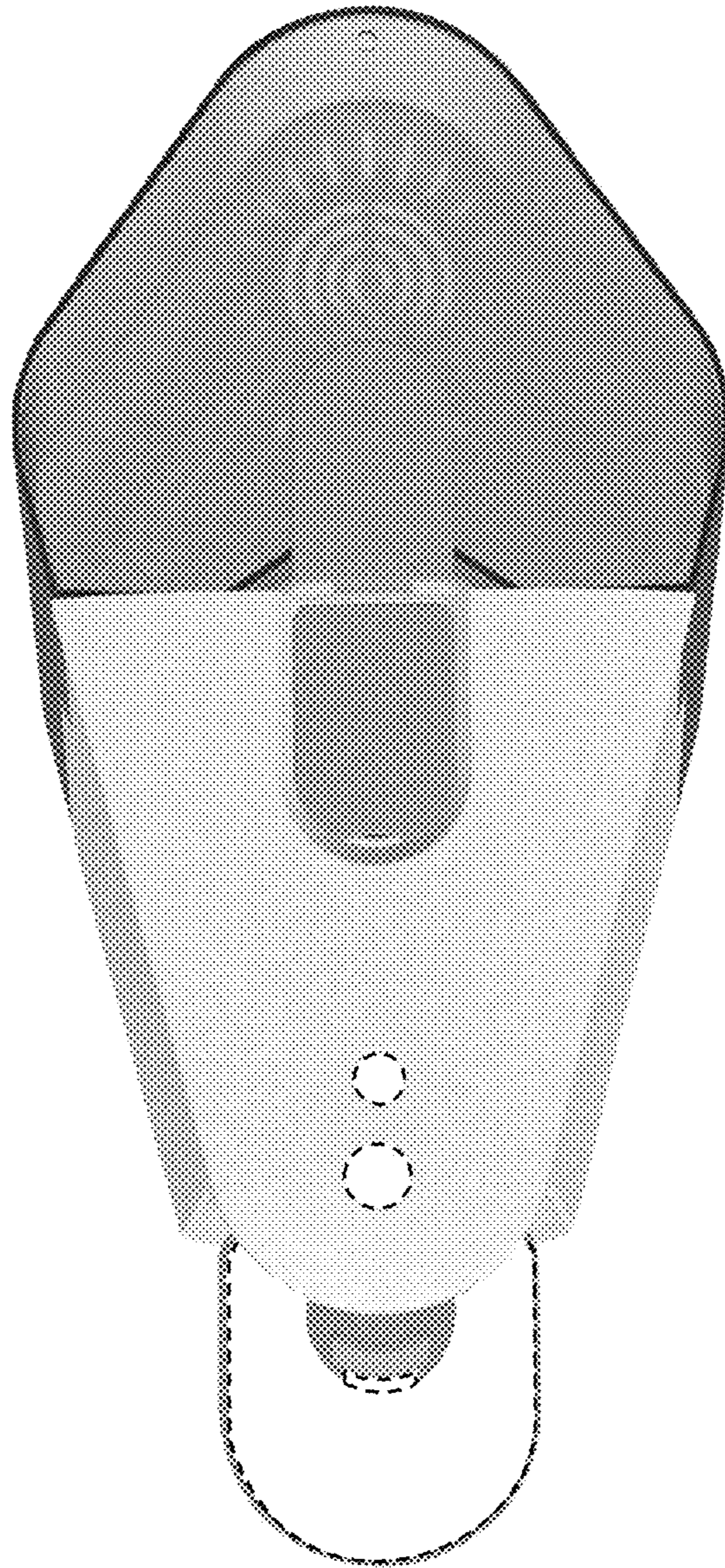


FIG. 11